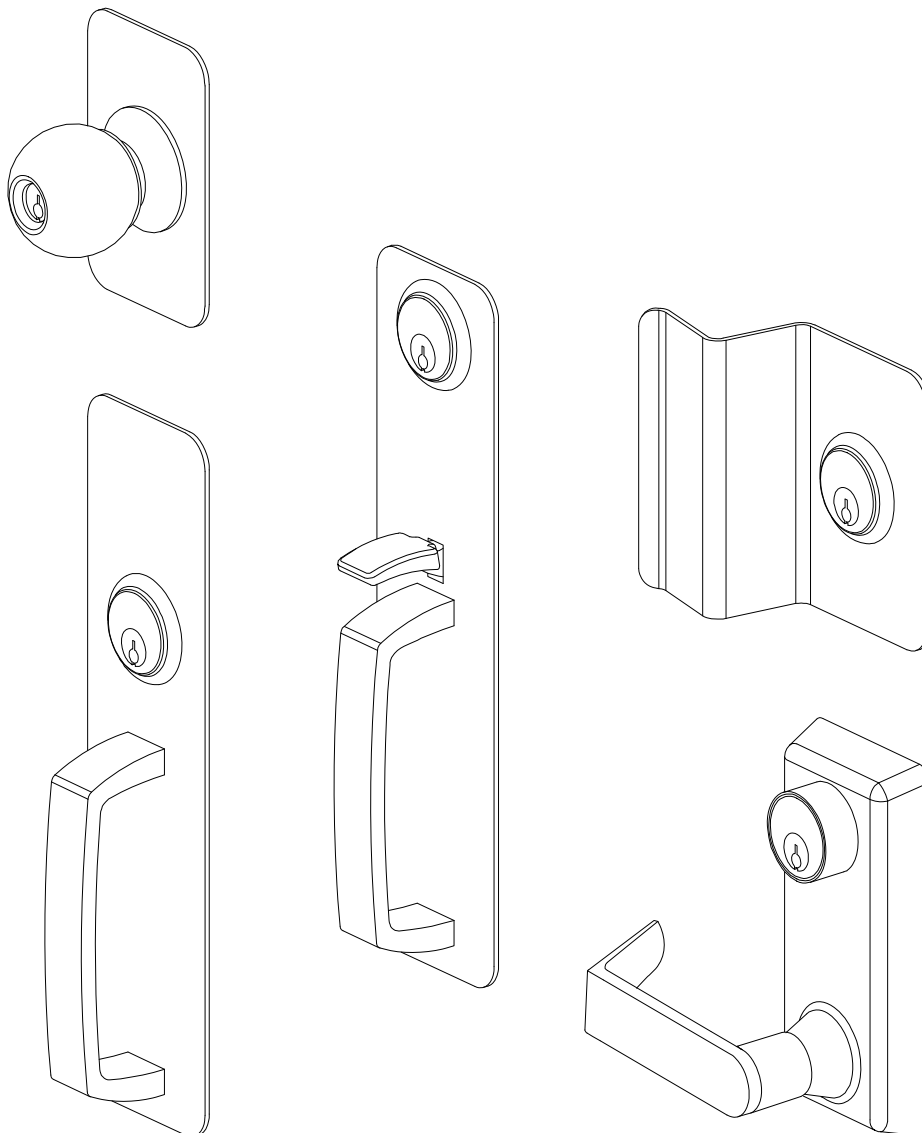


VON DUPRIN[®]

PARTS MANUAL

JULY 2009

110, 210, AND 230 SERIES TRIM



PM210_A
VD-5562

IR Ingersoll Rand
Security Technologies

Copyright © 2005 Ingersoll-Rand. All rights reserved.

INDEX

General Information

Introduction	2
How to Order	2
Part Number Changes	2
110, 210, 230 Series Trim Finishes	2

110, 210, 230 Series Trim Parts

110NL-MD	3
210NL	3
210K	4
210K-BE	4
230NL	5
230DT	5
230TP	6
230TP-BE	7
230L	8

INTRODUCTION

This manual contains a listing of replaceable parts and assemblies for the 110, 210, and 230 Series Trim.

HOW TO ORDER

Some parts are sold separately. Other items are available as part of a kit or multiple quantity package. For the best possible service when ordering replacement parts or assemblies, please provide the following information:

- Part number or assembly number
- Description
- Quantity needed
- Finish desired (if available finished)
- Date of original purchase (if known)

To find out the name of your local Von Duprin distributor or sales representative, contact:

Von Duprin Division
Ingersoll-Rand Company
2720 Tobey Drive
Indianapolis, Indiana 46219
Phone: (800) 999-0408
Fax: (800) 999-0328

PART NUMBER CHANGES

This manual reflects the product as sold in July 2009. Because of changes to the product and/or manufacturing process, part numbers can change.

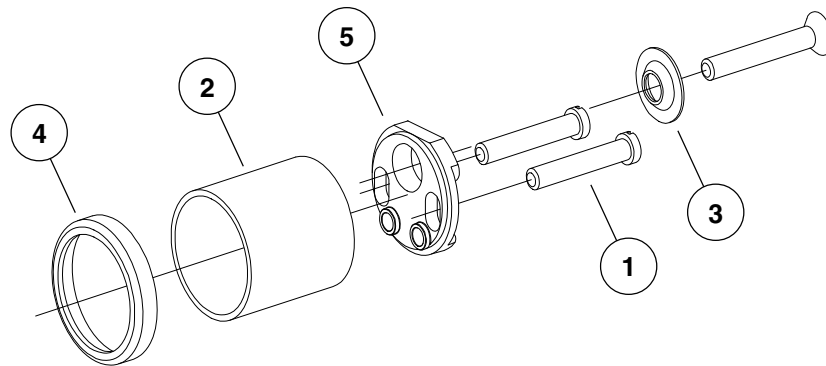
110, 210, 230 SERIES TRIM FINISHES

US Number	BHMA Number	Color
SP28	689	Aluminum (laquered)
SP313	695	Bronze, dark (painted)

110NL-MD PARTS

Item No.	Part No.	Description	Quantity	Finish
1	959055	550/555/556 Special Cylinder Screw - 1-3/4" Door	1	
1	959056	550/555/556 Special Cylinder Screw - 2-1/4" Door	1	
2	960060	110NL Cylinder Spacer Collar	1	
3	961180	110NL Cylinder Assembly Countersink Washer	1	
4	967291	110NL-MD Cylinder Collar	1	X
5	971593	110NL Cylinder Assembly Cylinder Disc	1	

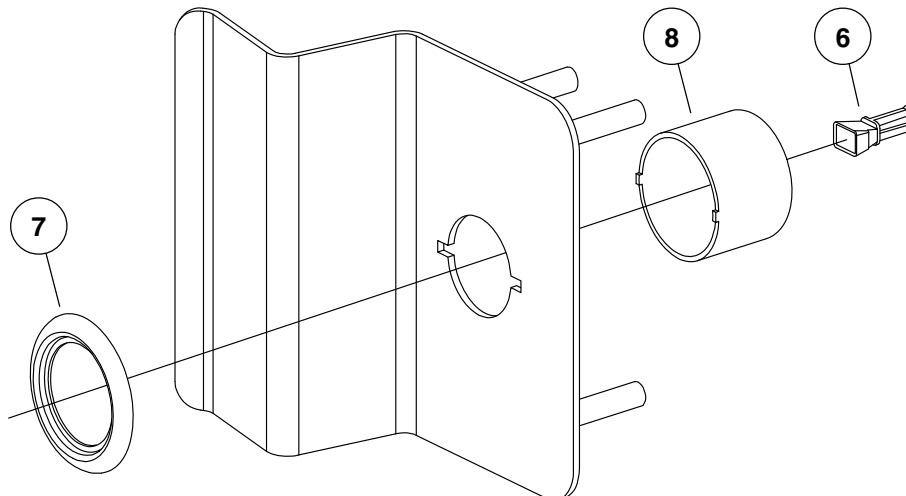
X in "Finish" column designates finished item; specify finish when ordering.



210NL PARTS

Item No.	Part No.	Description	Quantity	Finish
6	050156	Tailpiece Guide Lead Kit	10	
7	965226	Cylinder Collar	1	X
8	968201	210/230 Cylinder Retaining Cup	1	

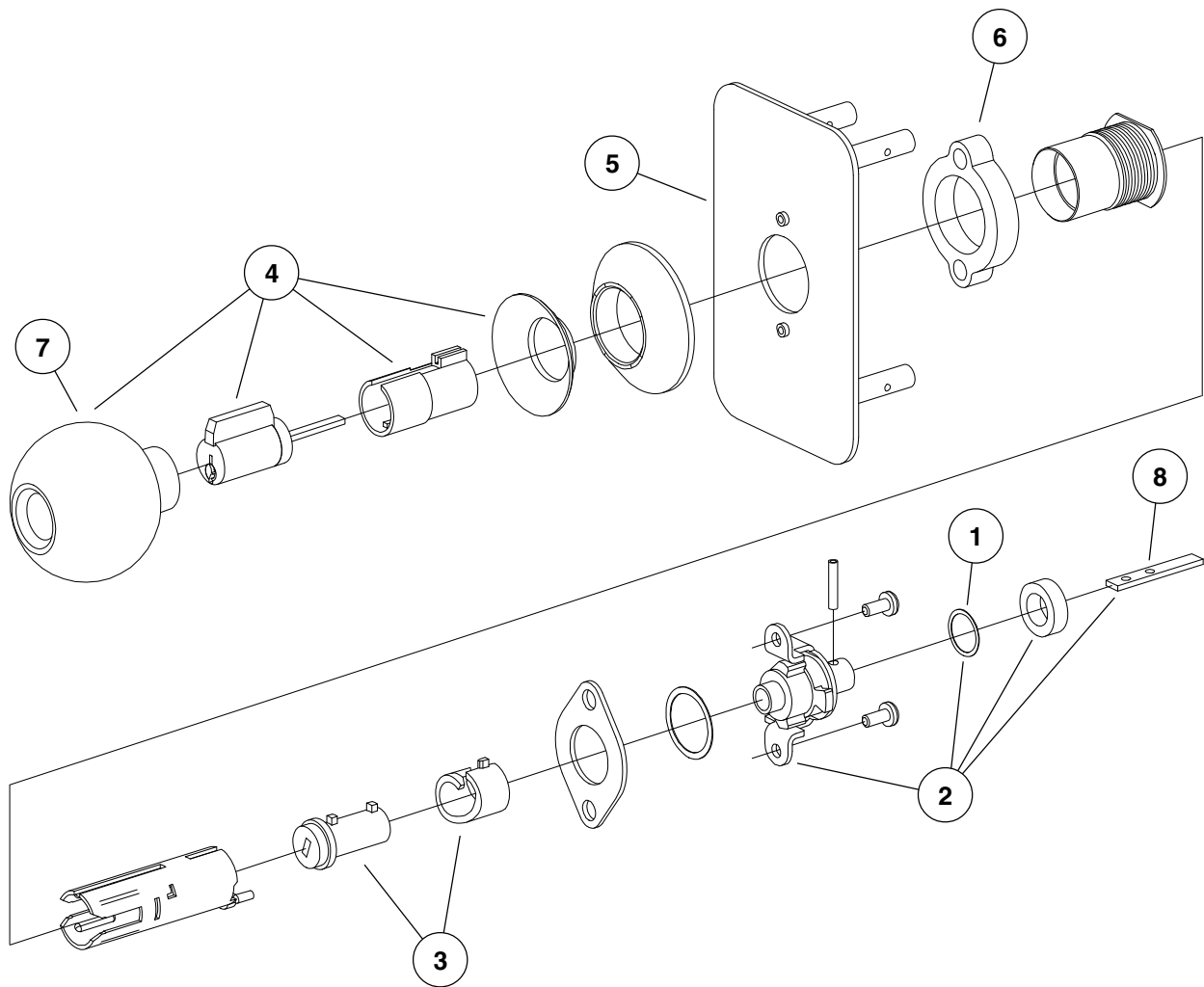
X in "Finish" column designates finished item; specify finish when ordering.



210K, 210K-BE PARTS

Item No.	Part No.	Description	Quantity	Finish
1	090103	210K Wave Spring Washer Pkg.	10	
2	109871	210K Bracket & Booster Assembly	1	
3	109872	210K Spiral Cam Sub-Assembly	1	
4	109873	210K Cylinder Knob Sub-Assembly	1	X
5	109879	210K Trim Sub-Assembly	1	X
6	969140	210K Knob Spacer	1	
7	969157	210K Knob	1	X
7	969352	210K-BE Knob	1	X
8	970979	210K/L Spindle Shaft	1	

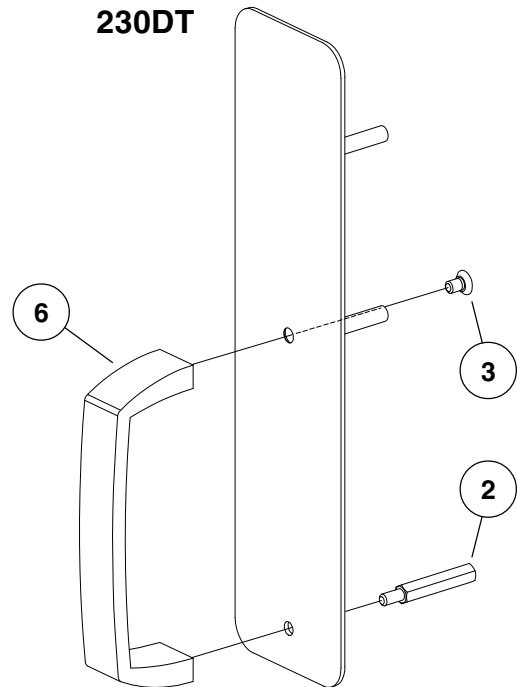
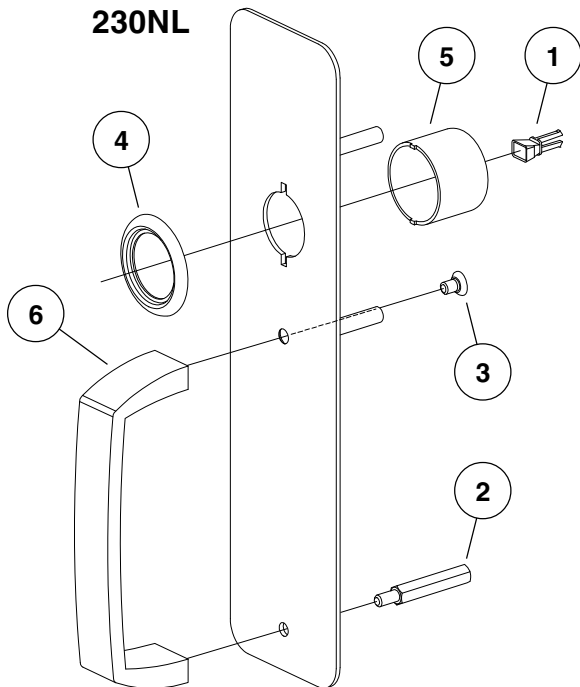
X in "Finish" column designates finished item; specify finish when ordering.



230NL, 230DT PARTS

Item No.	Part No.	Description	Quantity	Finish
	050140	230DT x 330/350 Screw Pkg. 1-3/4" Door		X
		#12 Countersink Washer	1	
		12-24 x 3/4" OPHMS	1	
		#10 Countersink Washer	4	
		10-24 x 3/4" OPHMS	4	
	050141	230DT x 330/350 Screw Pkg. 1-3/4" Door		X
		#12 Countersink Washer	1	
		12-24 x 1-1/4" OPHMS	1	
		#10 Countersink Washer	4	
		10-24 x 1-1/4" OPHMS	4	
1	050156	Tailpiece Guide Lead Kit	10	
2	956760	Hex Stud	1	
3	963579	12-24 x 3/8" UFPHMS	1	
4	965226	Cylinder Collar	1	X
5	968201	210/230 Cylinder Retaining Cup	1	
6	969925	230 Pull Grip	1	X

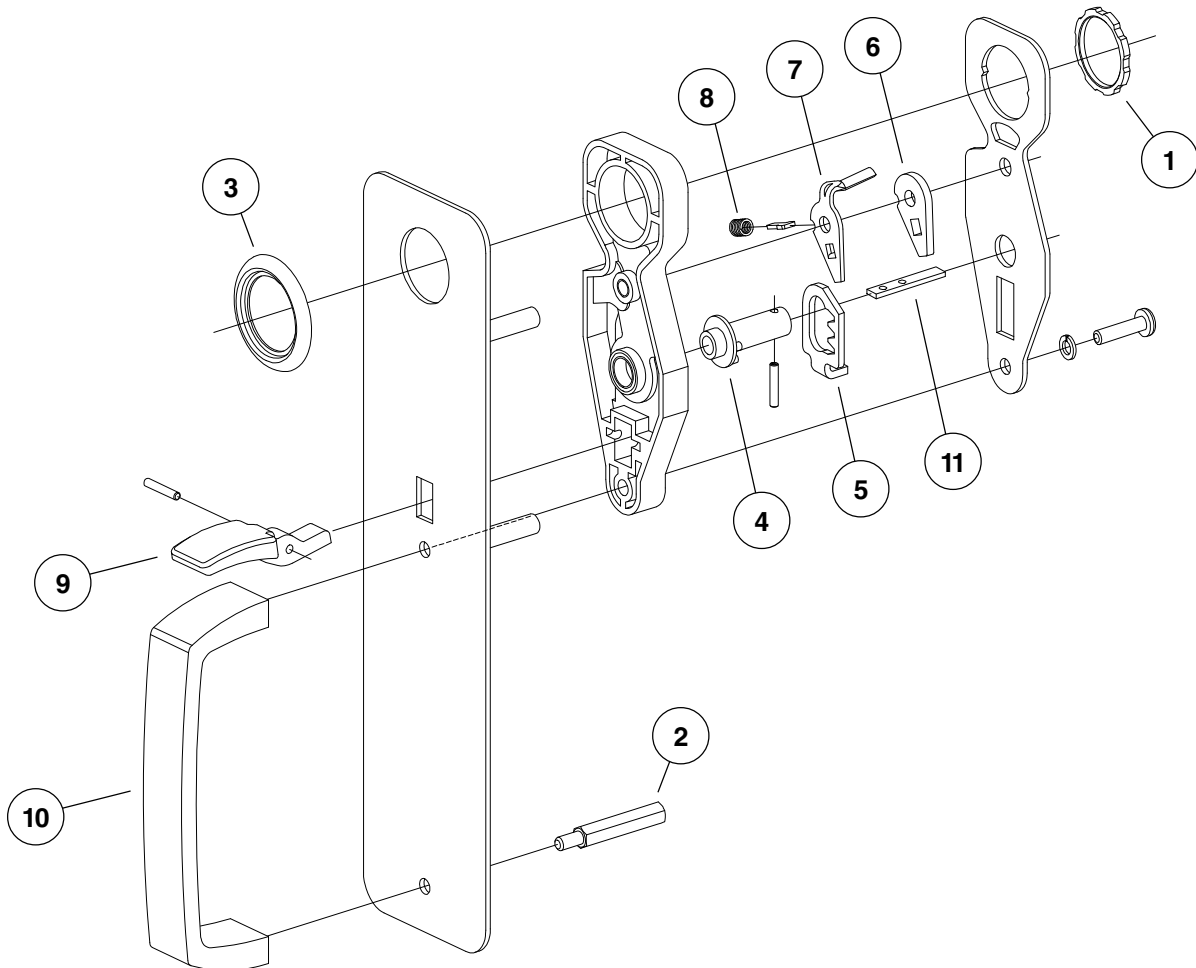
X in "Finish" column designates finished item; specify finish when ordering.



230TP PARTS

Item No.	Part No.	Description	Quantity	Finish
1	050526	230L Cylinder Locknut	1	
2	956760	Hex Stud	1	
3	965226	Cylinder Collar	1	X
4	969903	230TP Cam	1	
5	969904	230TP Slider	1	
6	969906	230TP Locking Cam	1	
7	969908	230TP Locking Cam Latch	1	
8	969909	230TP Compression Spring	1	
9	969910	230TP Thumbpiece	1	X
10	969925	230 Pull Grip	1	X
11	970979	210K/L Spindle Shaft	1	

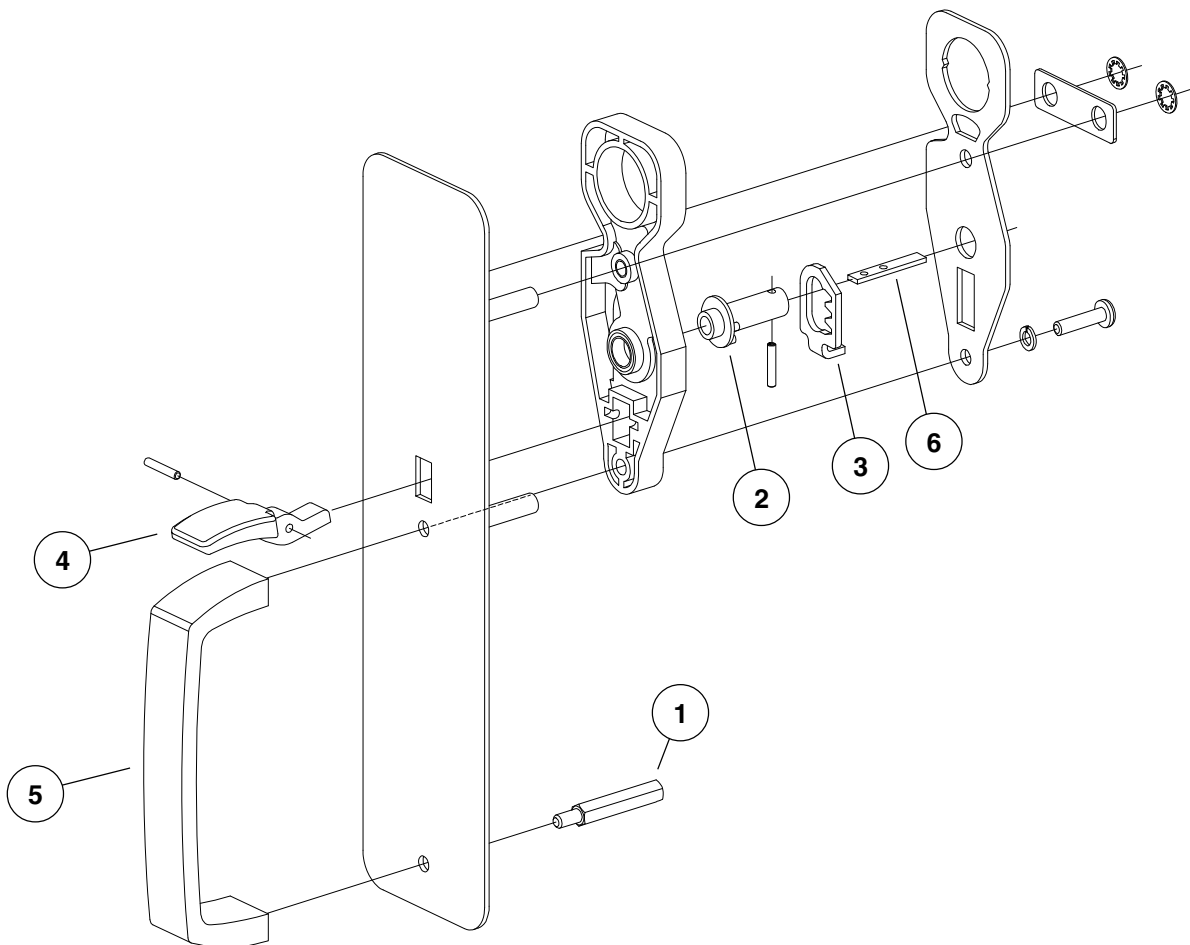
X in "Finish" column designates finished item; specify finish when ordering.



230TP-BE PARTS

Item No.	Part No.	Description	Quantity	Finish
1	956760	Hex Stud	1	
2	969903	230TP Cam	1	
3	969904	230TP Slider	1	
4	969910	230TP Thumbpiece	1	X
5	969925	230 Pull Grip	1	X
6	970979	210K/L Spindle Shaft	1	

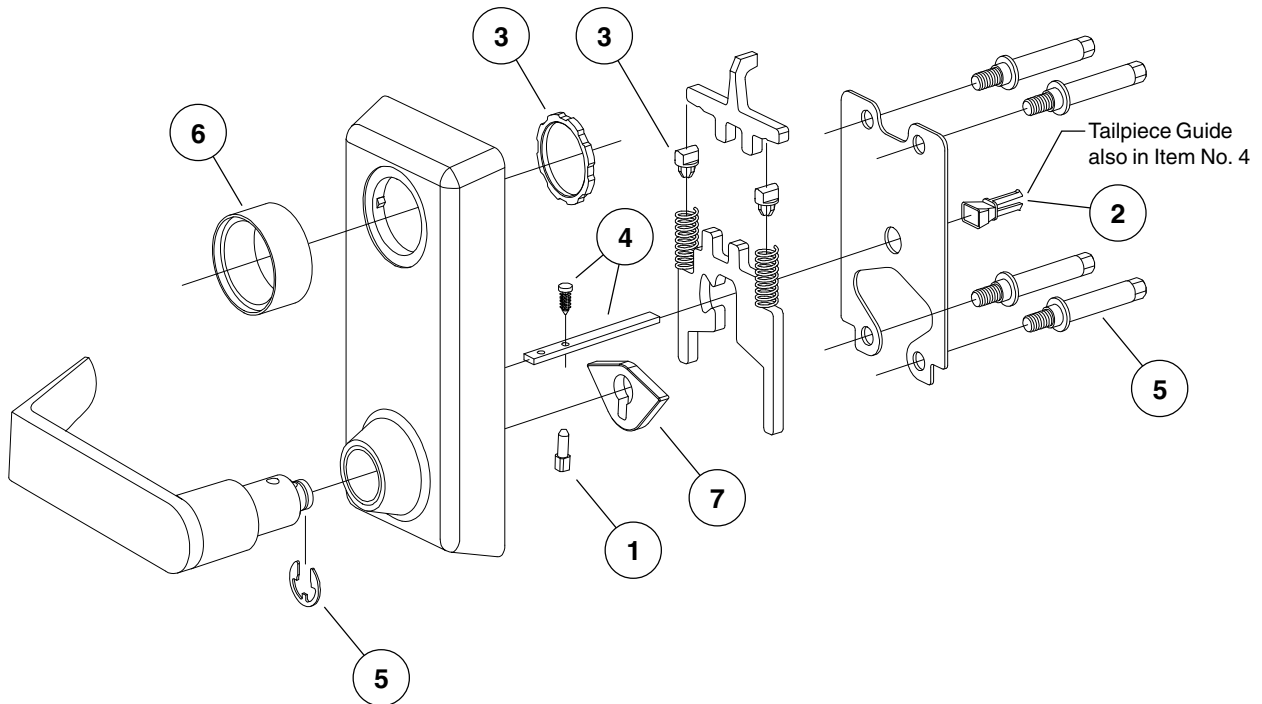
X in "Finish" column designates finished item; specify finish when ordering.



230L PARTS

Item No.	Part No.	Description	Quantity	Finish
1	050148	230L Shearpin Replacement Kit	10	
2	050156	Tailpiece Guide Lead Kit	10	
3	050526	230L Cylinder Locknut	1	
4	900894	230L Tailpiece Auxiliary		
		Tailpiece Guide	1	
		Pine Tree Clip	1	
		Tailpiece	1	
5	964334	230L Retaining Ring	1	
6	971249	230L Cylinder Collar	1	
7	971257	230L Lever Cam	1	
8	971497	230L Locking Plunger	1	
9	971245	230L Stud	1	

X in "Finish" column designates finished item; specify finish when ordering.

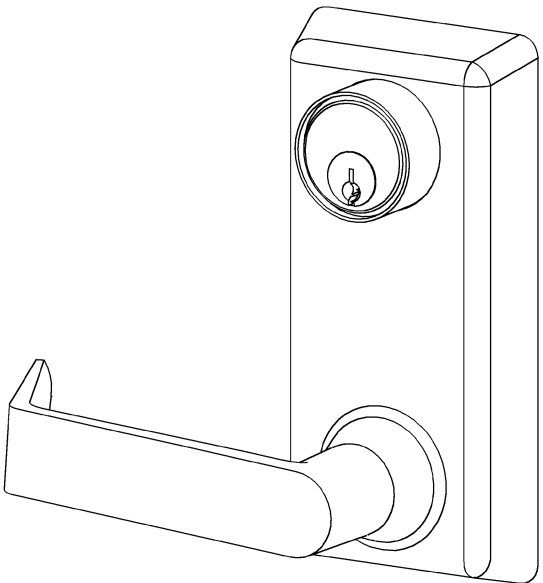
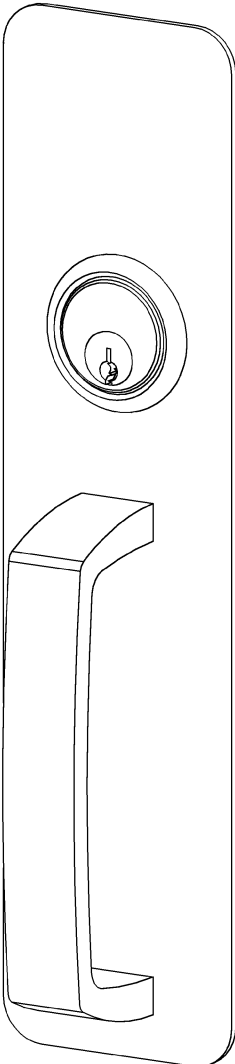
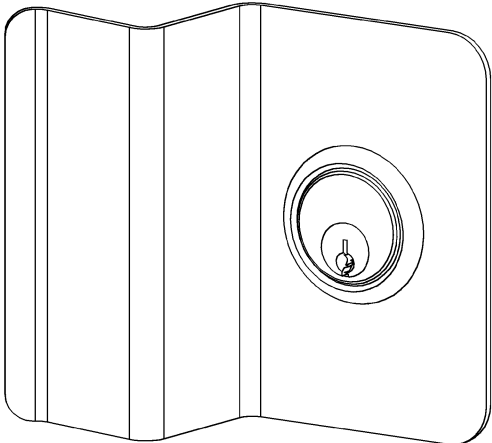
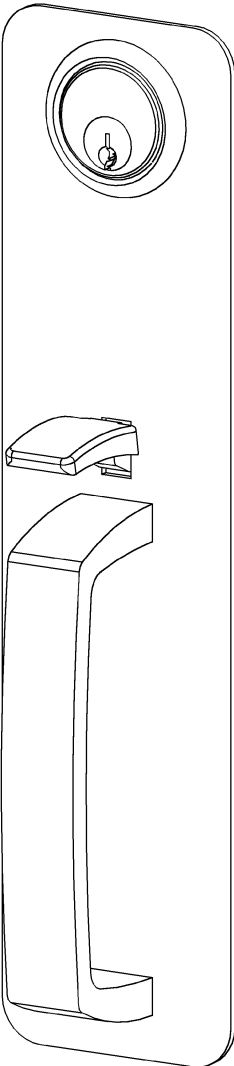
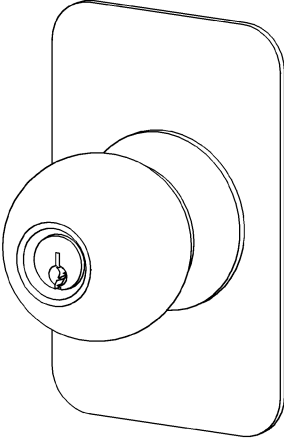


VON DUPRIN

PARTS MANUAL

SEPTEMBER 1999

210/230 SERIES OUTSIDE TRIM



INDEX

General Information

How to Order	2
Finishes	2

210 Series Trim

DT Trim	3
NL Trim	3
K Trim	4

230 Series Trim

EO Trim	5
DT Trim	5
NL Trim	6
TP Trim	7
TP-BE Trim	8
L Trim	9

Misc.

110L-MD Cylinder Assembly	10
---------------------------------	----

INTRODUCTION

This Manual contains a listing of replaceable parts and assemblies for the 210/230 Series Trim.

HOW TO ORDER

Some parts are sold separately. Other items are available as part of an assembly. For the best possible service when ordering replacement parts or assemblies, please provide the following information:

- Part or Assembly number
- Description
- Quantity needed
- Finish desired (if available finished)
- Date of original purchase, if known

Exit Device Division
Ingersoll-Rand Company
2720 Tobey Drive
Indianapolis, Indiana 46219
Phone: (800) 999-0408
Fax: (800) 999-0328

PART NUMBER CHANGES

This manual reflects the product as sold in Sept. 1999. Because of changes to the product and/or manufacturing process, part numbers can change.

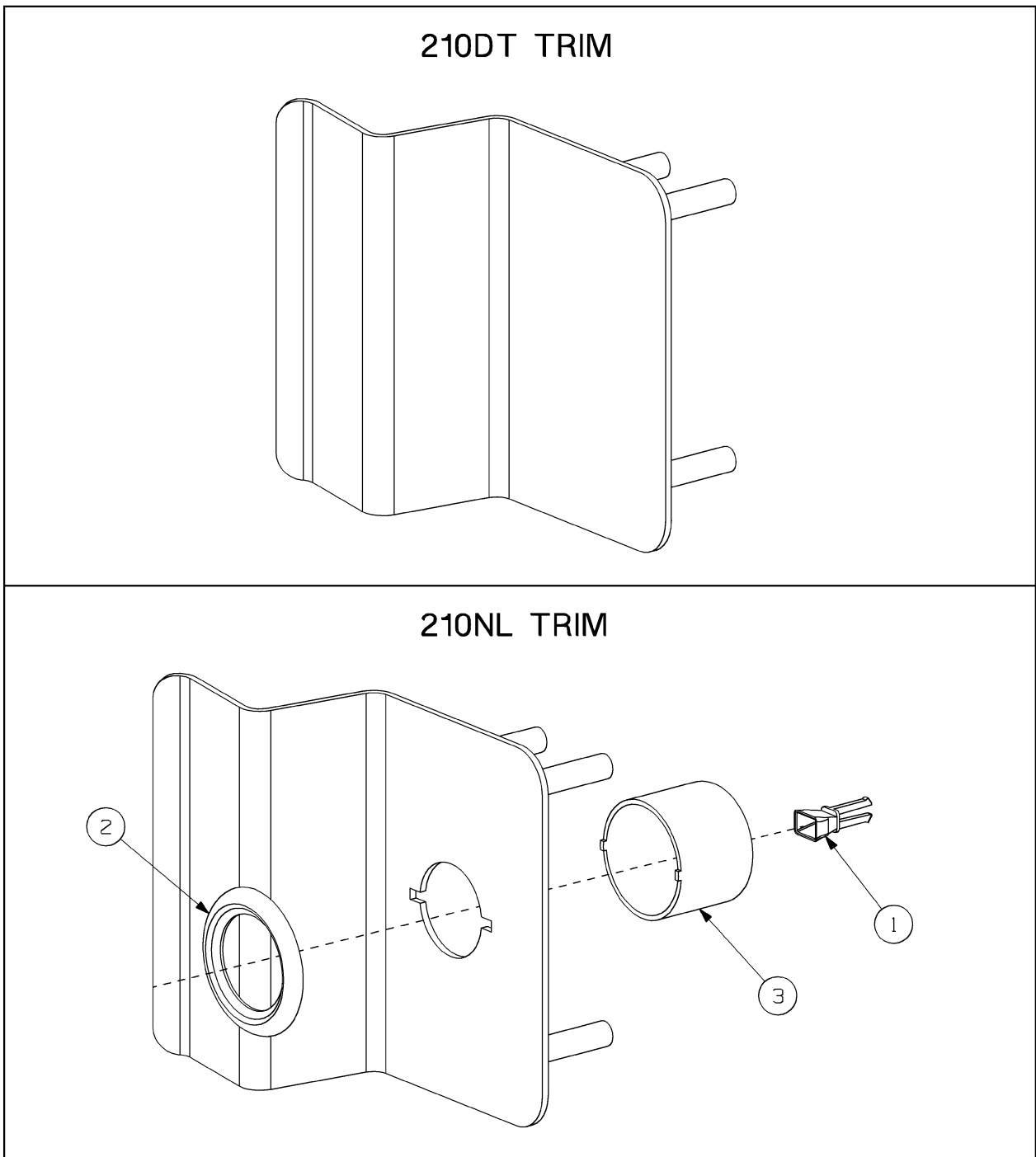
TRIM FINISHES

U.S. Std. Reference	BHMA Reference	Description
SP28	689	Lacquer Sprayed Aluminum
SP313	695	Painted 313 Dark Bronze

210DT & 210NL TRIM

ITEM NO.	QTY	PART NO.	DESCRIPTION	FINISH
1	1	050156	Tailpiece Guide Lead Kit (Pack of 10)	
2	1	965226	Cylinder Collar 880-R/990-R	X
3	1	968201	Cylinder Retaining Cup	

X DESIGNATES FINISHED ITEMS AND FINISH MUST BE SPECIFIED WHEN ORDERING

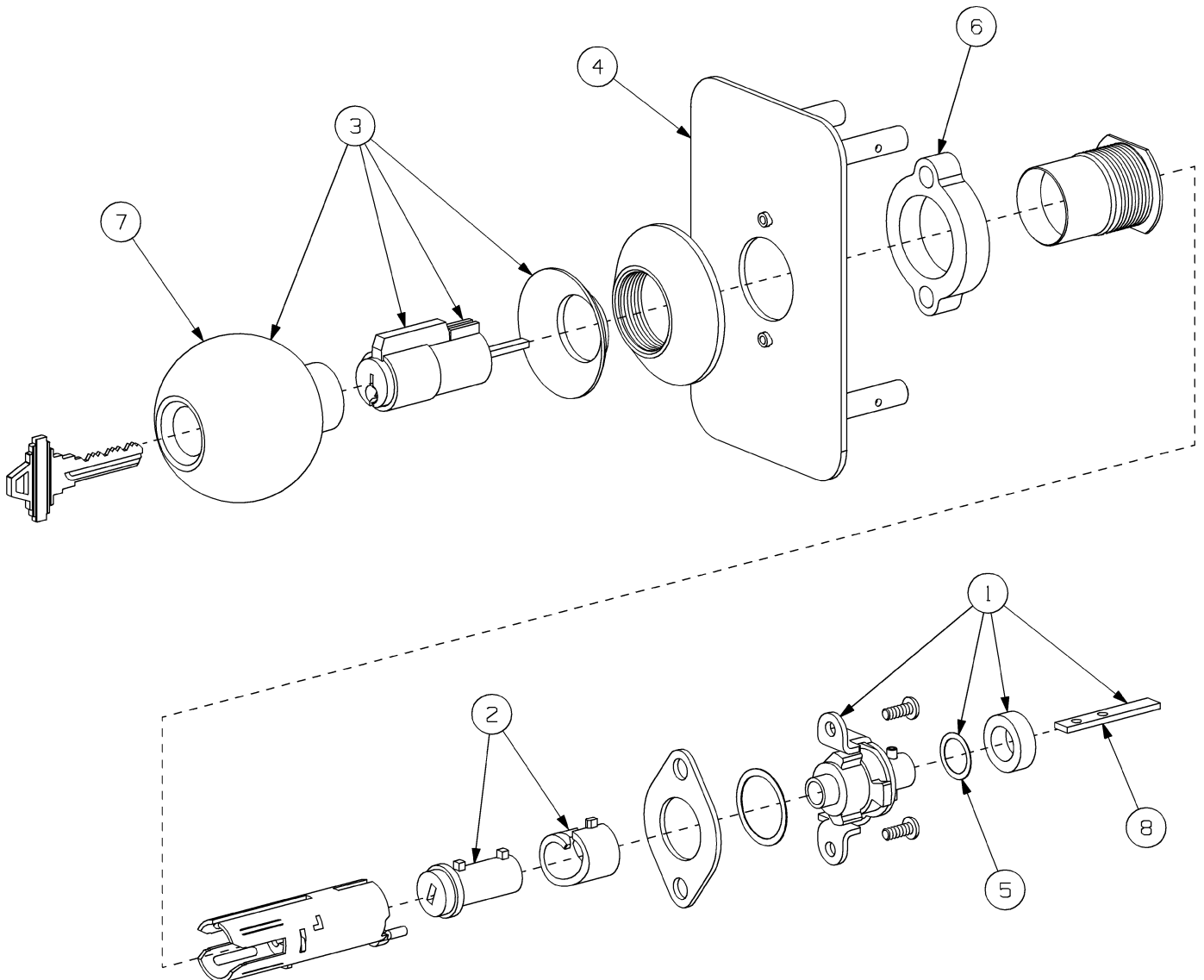


210K & 210K-BE TRIM

ITEM NO.	QTY	PART NO.	DESCRIPTION	FINISH
1	1	109871	210K/210K-BE Bracket & Booster Assembly	
2	1	109872	Spindel Cam Sub-Assembly (210K only)	
3	1	109873	Cylinder Knob Sub-Assembly (210K only)	X
4	1	109879	210K/210K-BE Trim Sub-Assembly	X
5	1	963757	Wave Spring Washer	
6	1	969140	Knob Spacer	
7	1	969157	210K Knob	X
7	1	969352	210K-BE Knob	X
8	1	970979	Spindle Shaft	

X DESIGNATES FINISHED ITEMS AND FINISH MUST BE SPECIFIED WHEN ORDERING

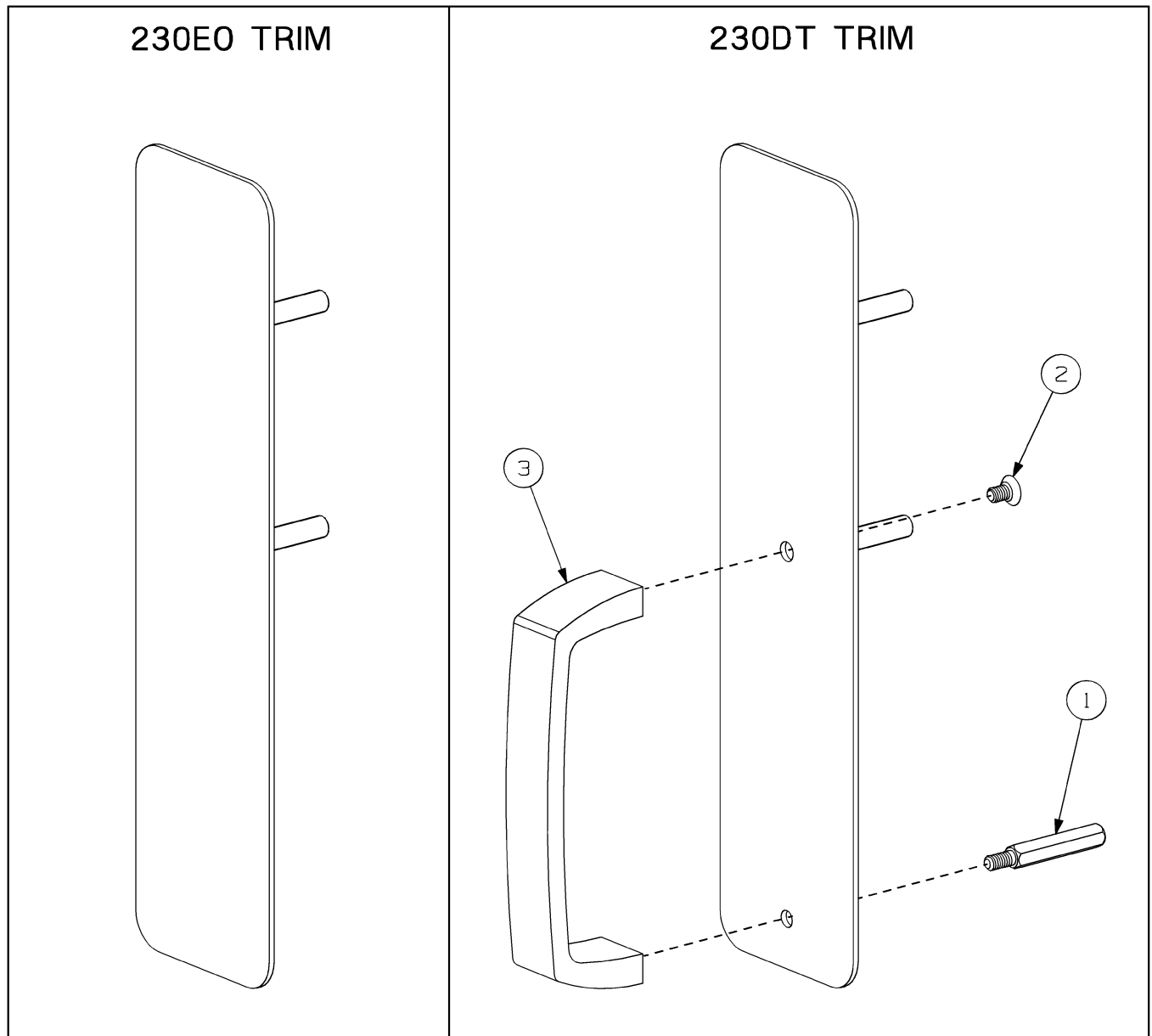
210K TRIM SHOWN



230EO & 230DT TRIM

ITEM NO.	QTY	PART NO.	DESCRIPTION	FINISH
	1	900853	990 Trim Screw Pack (1-3/4 & 2-1/4)	X
1	1	956760	Hex Stud - 880/990	
2	1	963579	#12-24 X 3/8 UFPHMS	
3	1	969925	230TP Pull Grip	X

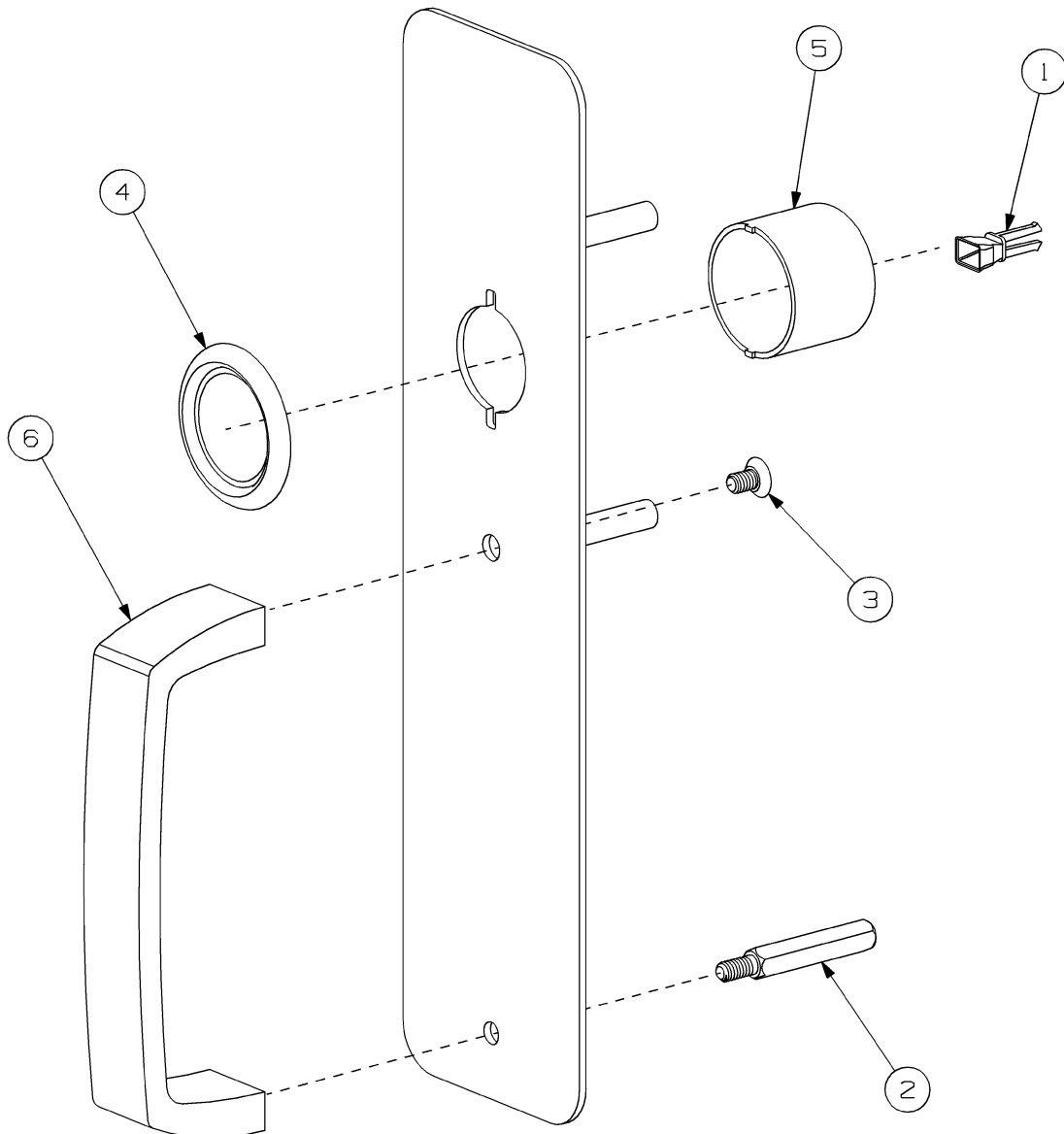
X DESIGNATES FINISHED ITEMS AND FINISH MUST BE SPECIFIED WHEN ORDERING



230NL TRIM

ITEM NO.	QTY	PART NO.	DESCRIPTION	FINISH
	1	900853	990 Trim Screw Pack (1-3/4 & 2-1/4)	X
1	1	050156	Tailpiece Guide Lead Kit (Pack of 10)	
2	1	956760	Hex Stud - 880/990	
3	1	963579	#12-24 X 3/8 UFPHMS	
4	1	965226	Cylinder Collar 880-R/990-R	X
5	1	968201	Cylinder Retaining Cup	
6	1	969925	230TP Pull Grip	X

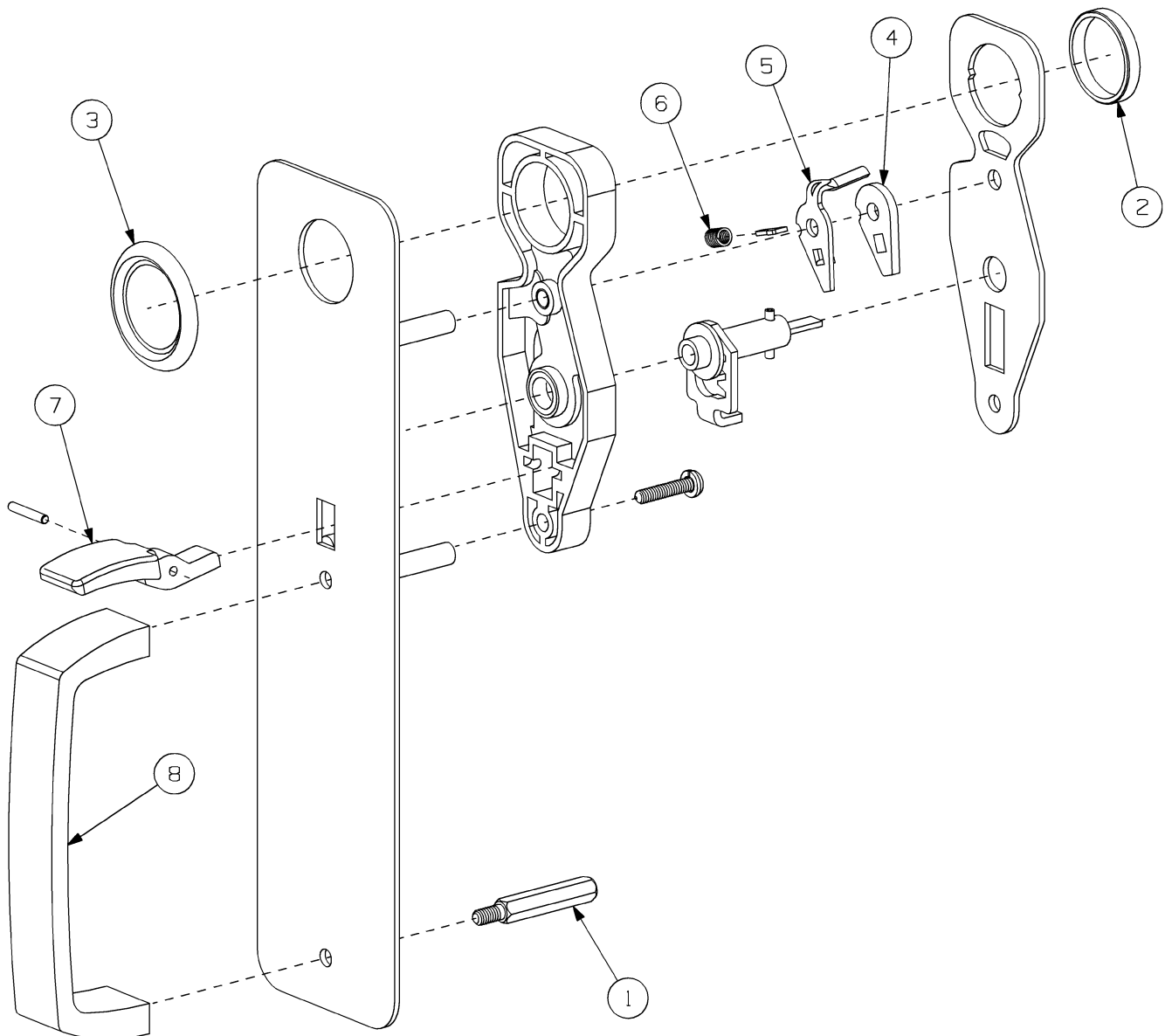
X DESIGNATES FINISHED ITEMS AND FINISH MUST BE SPECIFIED WHEN ORDERING



230TP TRIM

ITEM NO.	QTY	PART NO.	DESCRIPTION	FINISH
	1	900853	990 Trim Screw Pack (1-3/4 & 2-1/4)	X
1	1	956760	Hex Stud - 880/990	
2	1	959010	Cylinder Locknut	
3	1	965226	Cylinder Collar 880-R/990-R	X
4	1	969906	Locking Cam	
5	1	969908	Locking Cam Latch	
6	1	969909	Compression Spring	
7	1	969910	230TP Thumbpiece	X
8	1	969925	230TP Pull Grip	X

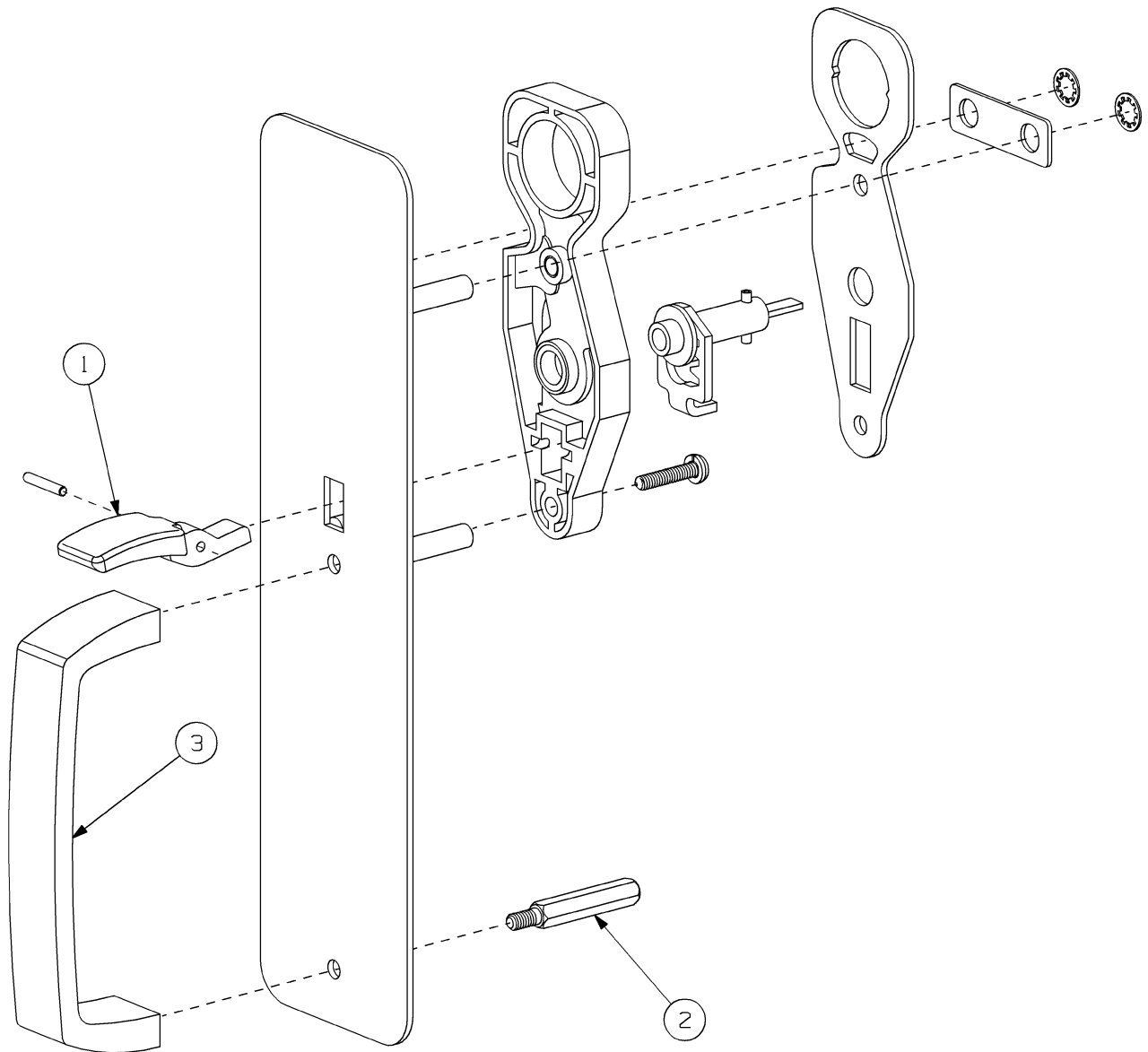
X DESIGNATES FINISHED ITEMS AND FINISH MUST BE SPECIFIED WHEN ORDERING



230TP-BE TRIM

ITEM NO.	QTY	PART NO.	DESCRIPTION	FINISH
	1	900853	990 Trim Screw Pack (1-3/4 & 2-1/4)	X
1	1	969910	230TP Thumbpiece	X
2	1	956760	Hex Stud - 880/990	
3	1	969925	230TP Pull Grip	X

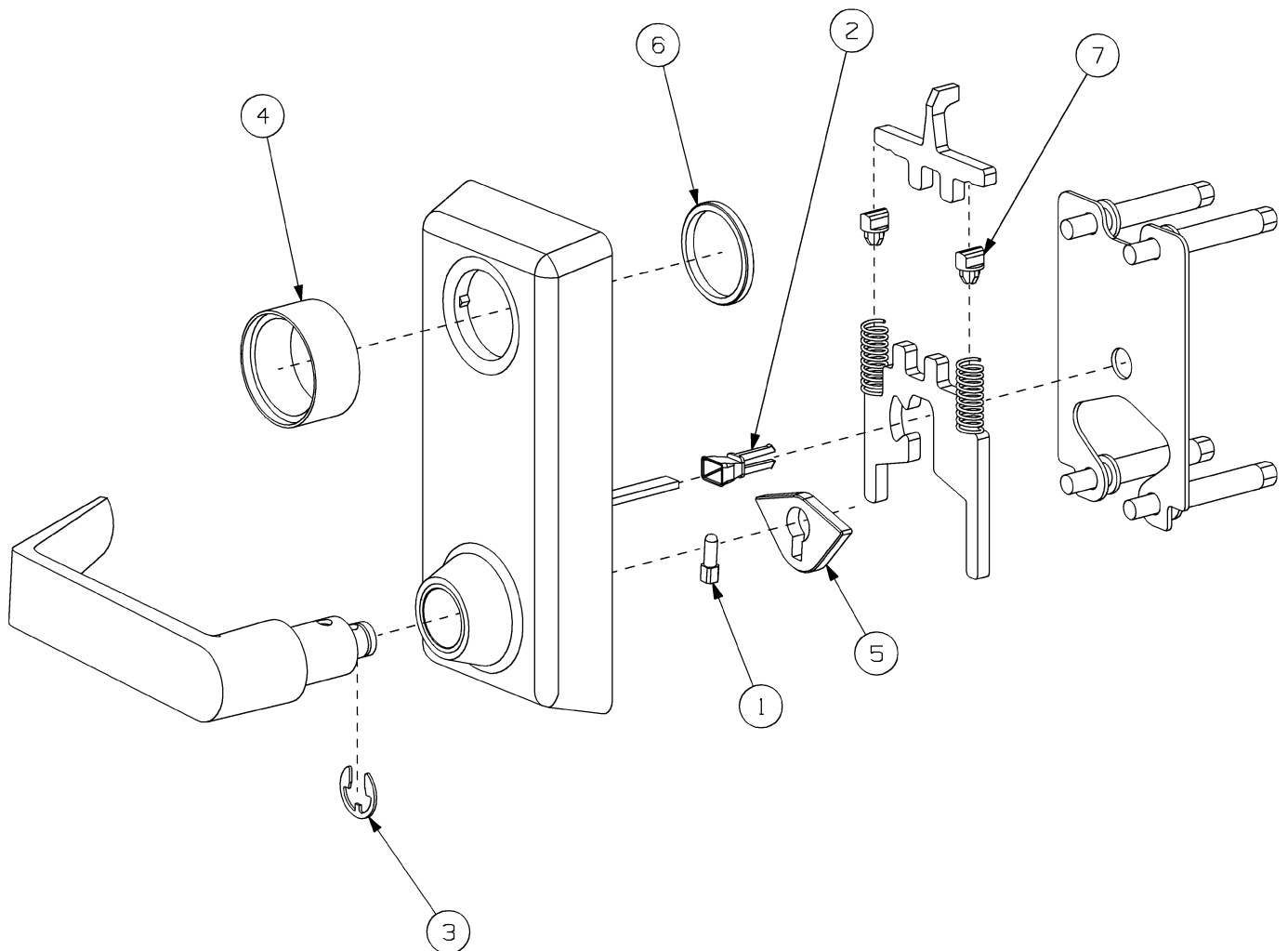
X DESIGNATES FINISHED ITEMS AND FINISH MUST BE SPECIFIED WHEN ORDERING



230L TRIM

ITEM NO.	QTY	PART NO.	DESCRIPTION	FINISH
1	1	050148	230L Shearpin Replacement Kit (Pack of 10)	
2	1	050156	Tailpiece Guide Lead Kit (Pack of 10)	
3	1	964334	Retaining Ring	
4	1	971249	230L Cylinder Collar	
5	1	971257	230L Lever Cam	
6	1	971258	230L Cylinder Locknut	
7	2	971497	230L Locking Plunger	

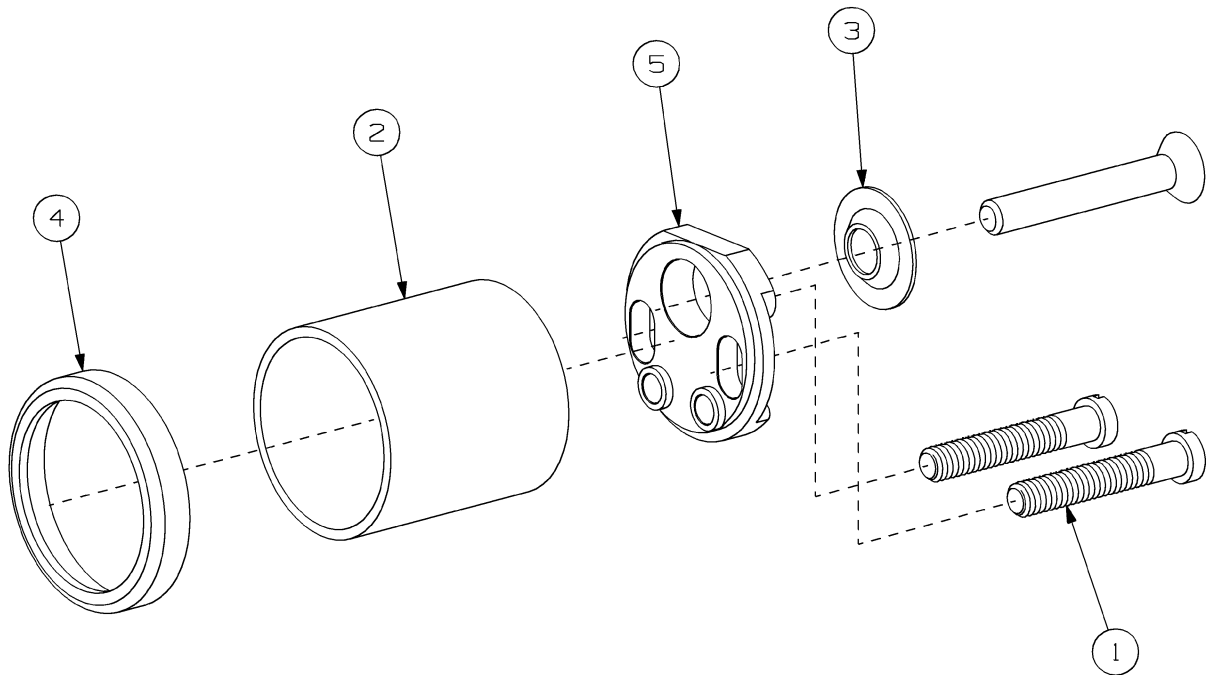
X DESIGNATES FINISHED ITEMS AND FINISH MUST BE SPECIFIED WHEN ORDERING



110NL-MD CYLINDER ASSEMBLY

ITEM NO.	QTY	PART NO.	DESCRIPTION	FINISH
1	2	959055	Special Cylinder Screw (1-3/4) - 550/555/556	
2	1	960060	Cylinder Spacer Collar - 550/555/556	
3	1	961180	Countersink Washer - 550	
4	1	967291	Cylinder Base - 550	X
5	1	971593	Cylinder Disc - 550	

X DESIGNATES FINISHED ITEMS AND FINISH MUST BE SPECIFIED WHEN ORDERING

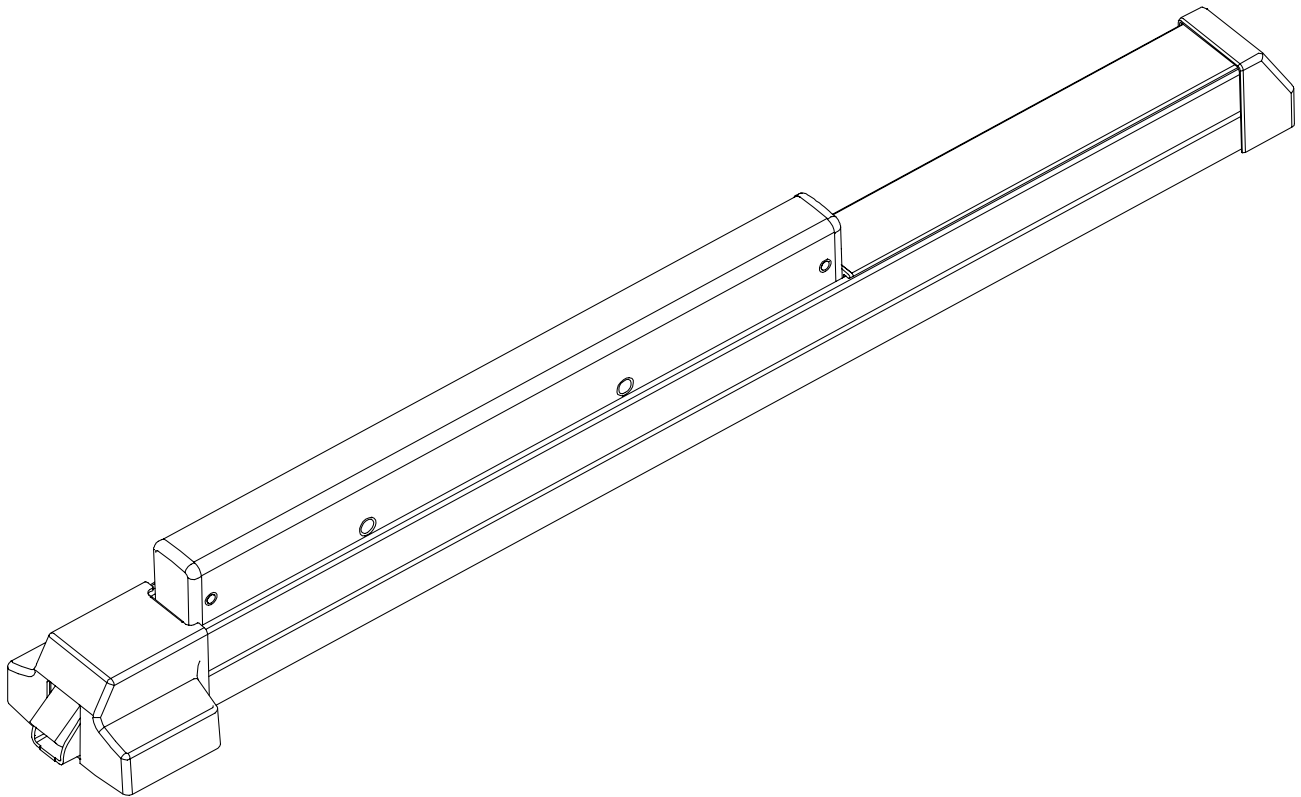


VON DUPRIN®

PARTS MANUAL

JUNE 2005

22 SERIES RIM EXIT DEVICE



PM22_B
VD-GN-1016

IR Security & Safety
Proven Source. Proven Solutions.™

Copyright © 2005 Ingersoll-Rand. All rights reserved.

INDEX

22 Rim Devices	
Basic Panic Device	4-5
Basic Fire Device	6-7
Baseplate Assemblies	8
Center Case Assembly	9
Variations of the Basic Device	
RX (Request to Exit)	10
LX (Latch Bolt Monitoring)	10
ALK Exit Alarm Kit	11
General Information	
Introduction	2
How to Order	2
Part Number Changes	2
Finishes	3
Outside Trim Functions	3
Strikes	3

INTRODUCTION

This manual contains a listing of replaceable parts and assemblies for the 22 Rim Exit Hardware Devices.

HOW TO ORDER

Some parts are sold separately. Other items are available as part of a kit or multiple quantity package. For the best possible service when ordering replacement parts or assemblies, please provide the following information:

- Part number or assembly number
- Description
- Quantity needed
- Finish desired (if available finished)
- Date of original purchase (if known)

To find out the name of your local Von Duprin distributor or sales representative, contact:

Von Duprin Division
Ingersoll-Rand Company
2720 Tobey Drive
Indianapolis, Indiana 46219
Phone: (800) 999-0408
Fax: (800) 999-0328
Website: www.vonduprin.com

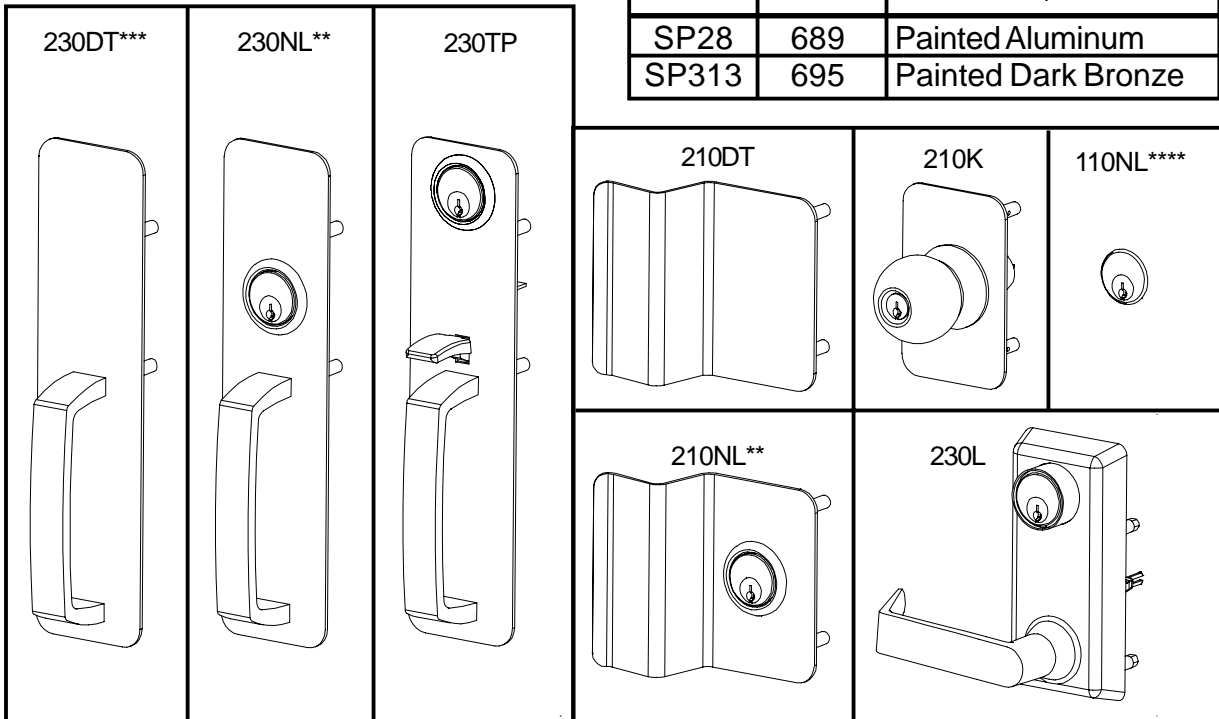
PART NUMBER CHANGES

This manual reflects the product as sold in June 2005. Because of changes to the product and/or manufacturing process, part numbers can change.

22 SERIES FINISHES

OUTSIDE TRIM FUNCTIONS

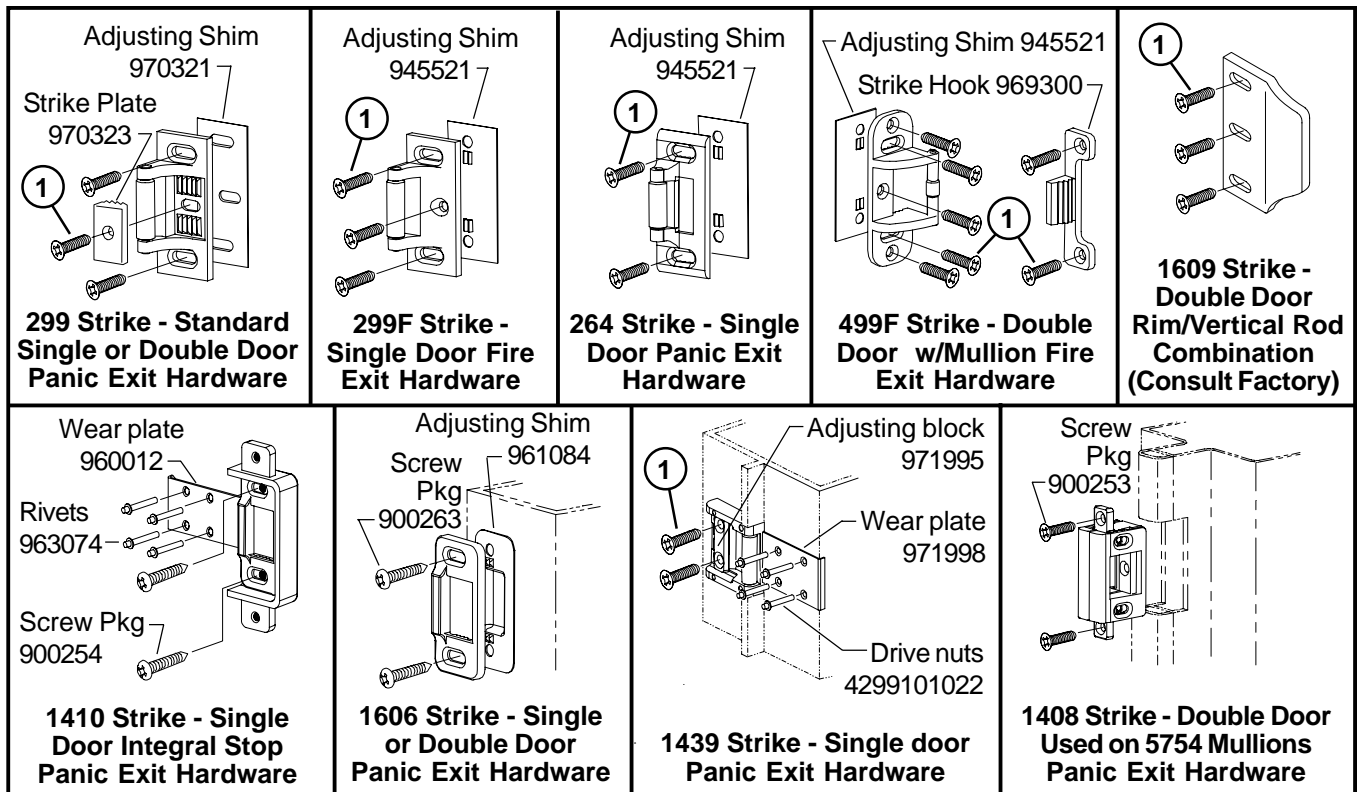
U.S. Std Reference	BHMA Reference	Description
SP28	689	Painted Aluminum
SP313	695	Painted Dark Bronze



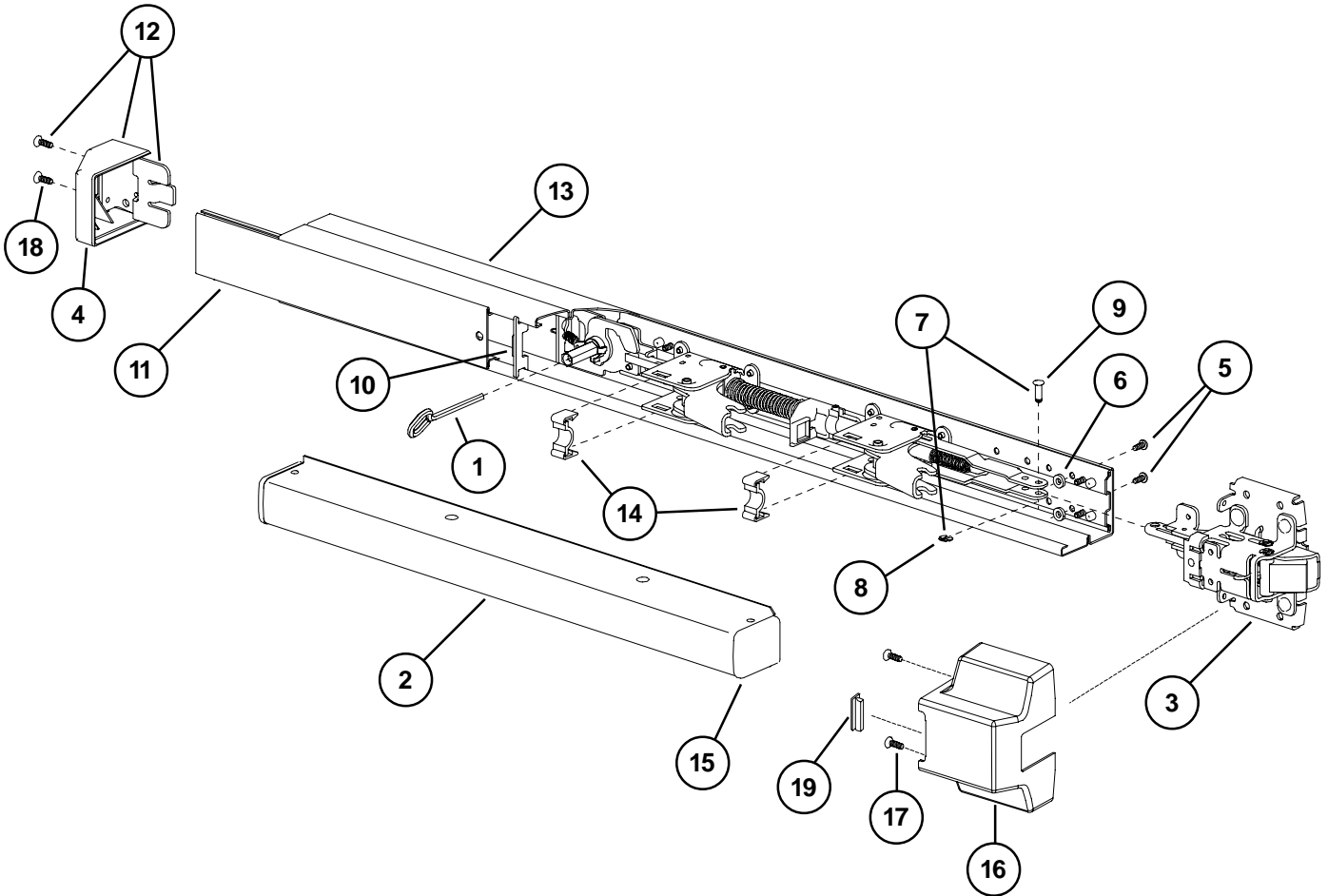
- * "BE" (Blank Escutcheon) no cylinder used - lever always active
- ** "NL" (Night Latch) rigid lever - key retracts latch bolt
- *** "DT" (Dummy Trim) rigid lever for pull operation
- **** Optional Pull needs to be added

STRIKES

- ① Metal Door Screw Package PKGSRV.1023 (Pkg of 10)
- Wood Door Screw 964291 (Qty of 1)



22 RIM PANIC DEVICE



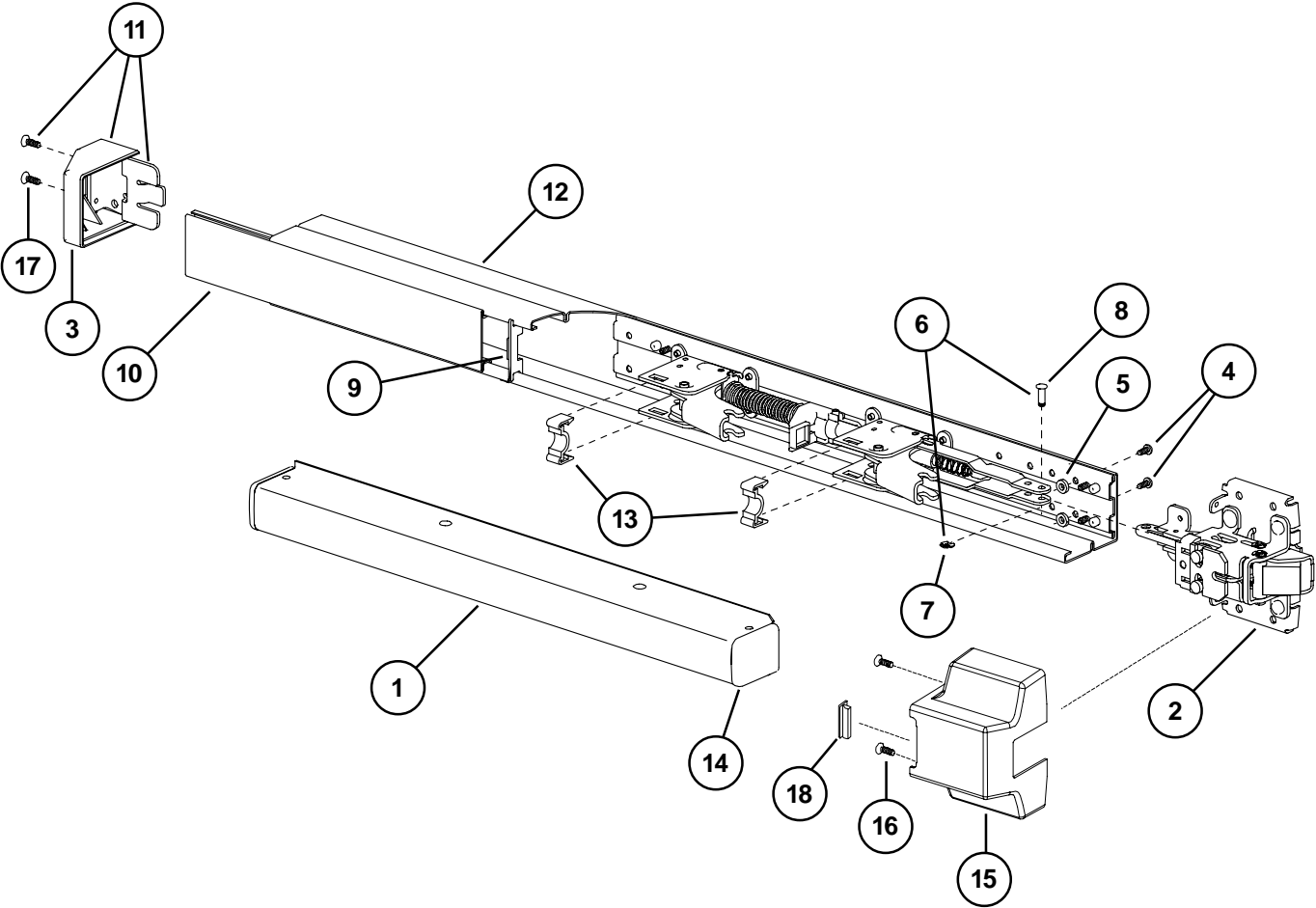
22 RIM PANIC DEVICE

Item No.	Quantity	Part No.	Description	Finish
	1	900561	22 Series Mounting Pkg. (1-3/4 & 2-1/4)	
1	1	090085	227 Dog Key 5/32" Hex (Pkg of 10)	
1	1	090005	227 Dog Key 5/32" Hex (Pkg of 2)	
2	1	*PBKIT	22 Series Push Bar Retrofit Kit - 3' Door	X
2	1	*PBKIT	22 Series Push Bar Retrofit Kit - 4' Door	X
3	1	109012	22 Rim Center Case Less Cover	
4	1	968601	22 Mechanism Case End Cap	
5	2	090037	Baseplate Screw (Pkg of 10)	
6	2	964013	3/8" x 3/16" x 3/32" Washer	
7	1	050529	22 Series Control Link Pin & Ret. Ring	
8	1	090107	Ret. Ring Pkg/10	
9	1	090031	Control Link Pin Pkg/10	
10	1	968592	Cover Plate Bearing Insert	
11	1	968595	22/2227 Cover Plate - 3' Dr	X
11	1	968596	22/2227 Cover Plate - 4' Dr	X
12	1	900981	22 End Cap Kit	
13	1	970035	22 Mechanism Case - 3' Dr	X
13	1	970036	22 Mechanism Case - 4' Dr	X
14	2	966268	Touch Bar Cover Bearing Insert	
15	1	968598	22 Push Bar End Cap	
16	1	968603	22/22-F Center Case Cover	X
17	2	090077	22 Series Center Case Cover Screw Pkg/4	X
18	2	964520	22 End Cap Screw	
19	1	966268	Touch Bar Cover Bearing Insert	

X in "Finish" column designates finished items; finish must be specified when ordering.

* To order, specify device type, size, and finish. Example: PBKIT 22 3' SP28

22-F RIM FIRE DEVICE



22-F RIM FIRE DEVICE

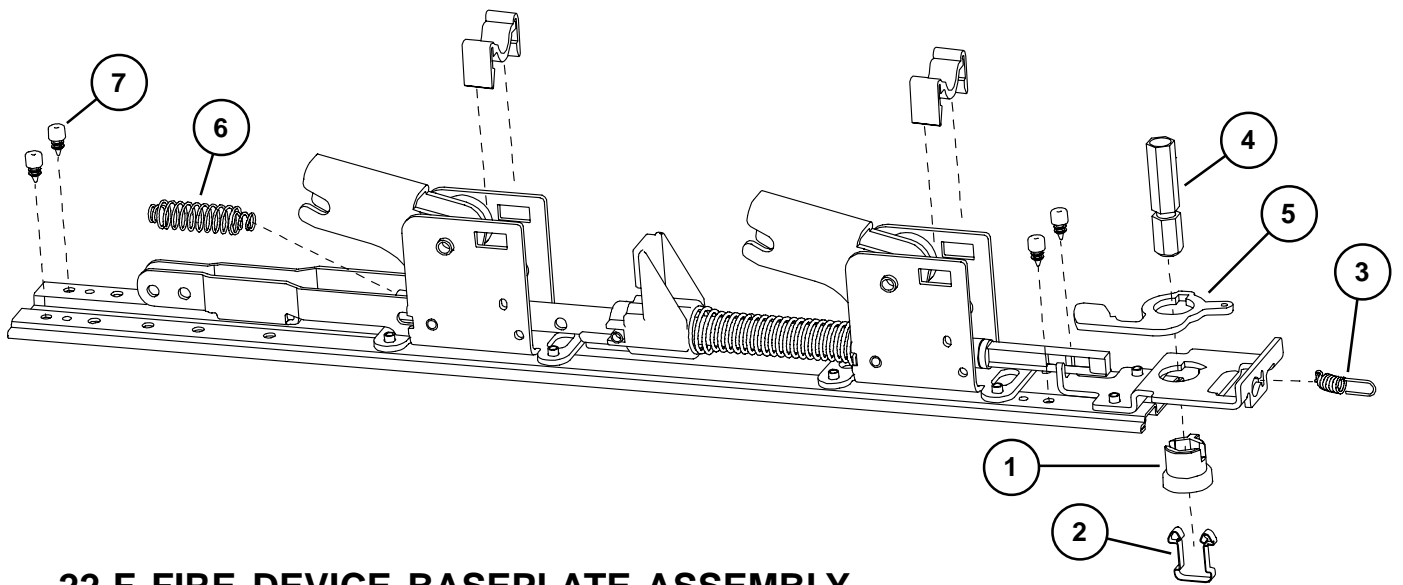
Item No.	Quantity	Part No.	Description	Finish
	1	900561	22 Series Mounting Pkg. (1-3/4 & 2-1/4)	
1	1	*PBKIT	22 Series Push Bar Retrofit Kit - 3' Door	X
1	1	*PBKIT	22 Series Push Bar Retrofit Kit - 4' Door	X
2	1	109915	22-F Rim Center Case Less Cover	
3	1	968601	22 Mechanism Case End Cap	
4	2	090037	Baseplate Screw (Pkg of 10)	
5	2	964013	3/8" x 3/16" x 3/32" Washer	
6	1	050529	22 Series Control Link Pin & Ret. Ring	
7	1	090107	Ret. Ring Pkg/10	
8	1	090031	Control Link Pin Pkg/10	
9	1	968592	Cover Plate Bearing Insert	
10	1	969127	22/2227-F Cover Plate - 3' Dr	X
10	1	969126	22/2227-F Cover Plate - 4' Dr	X
11	1	900981	22 End Cap Kit	
12	1	970035	22 Mechanism Case - 3' Dr	X
12	1	970036	22 Mechanism Case - 4' Dr	X
13	2	966268	Touch Bar Cover Bearing Insert	
14	1	968598	22 Push Bar End Cap	
15	1	968603	22/22-F Center Case Cover	X
16	2	090077	22 Series Center Case Cover Screw Pkg/4	X
17	2	964520	22 End Cap Screw	
18	1	966268	Touch Bar Cover Bearing Insert	

X in "Finish" column designates finished items; finish must be specified when ordering.

* To order, specify device type, size, and finish. Example: PBKIT 22 3' SP28

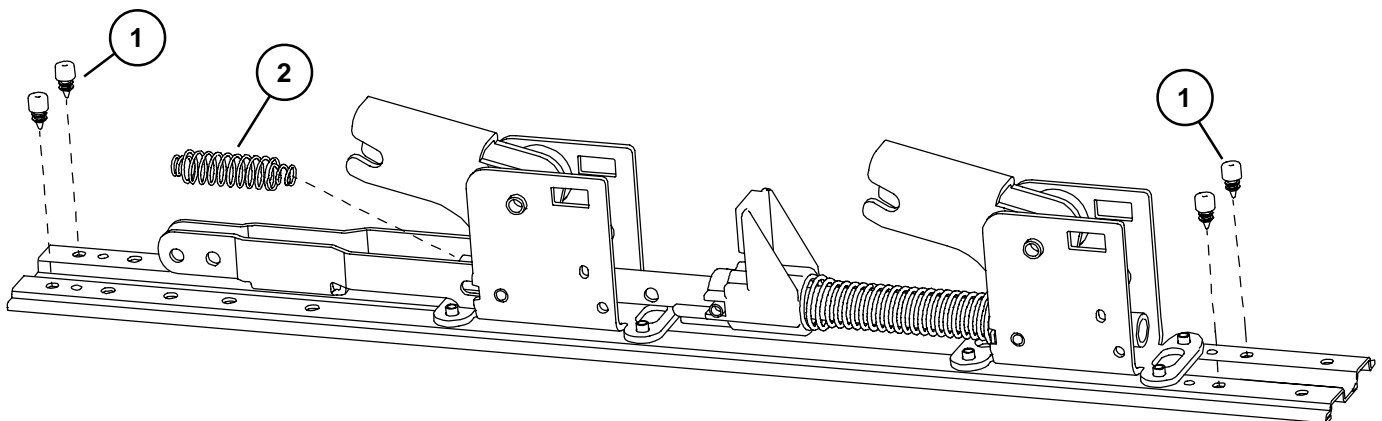
22 RIM PANIC DEVICE BASEPLATE ASSEMBLY

Item No.	Quantity	Part No.	Description	Finish
1	1	090043	Dogging adapter (Pkg of 2)	
2	1	090042	Dogging adapter spring (Pkg of 2)	
3	1	090041	Dogging spring (Pkg of 2)	
4	1	090040	Hex dogging shaft (Pkg of 2)	
5	1	090044	Dogging hook (Pkg of 2)	
6	1	090039	Latch return spring (Pkg of 10)	
7	4	090038	Rubber bumper (Pkg of 4)	
8	2	090048	Baseplate Bearing Strip (Pkg of 2)	



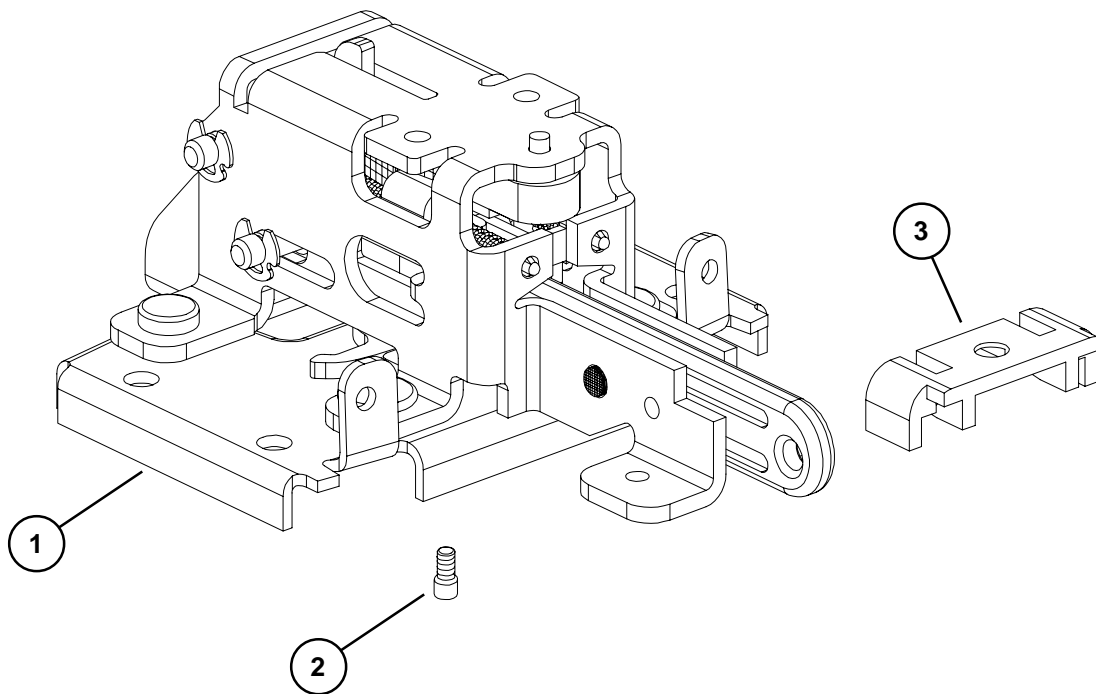
22-F FIRE DEVICE BASEPLATE ASSEMBLY

Item No.	Quantity	Part No.	Description	Finish
1	4	090038	Rubber bumper (Pkg of 4)	
2	1	090039	Latch return spring (Pkg of 10)	



22 PANIC & 22-F FIRE DEVICE CENTER CASE ASSEMBLY

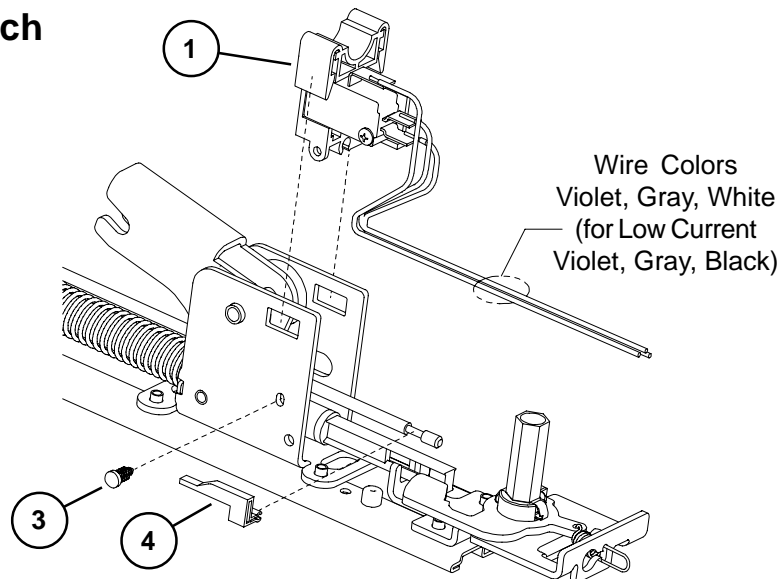
Item No.	Quantity	Part No.	Description	Finish
1	1	109012	22 Rim Center Case Less Cover	
1	1	109915	22-F Center Case Less Cover	
2	1	090074	NL Drive Screw (Pkg of 10)	
3	1	971592	22/2227 Pushbar Stop	



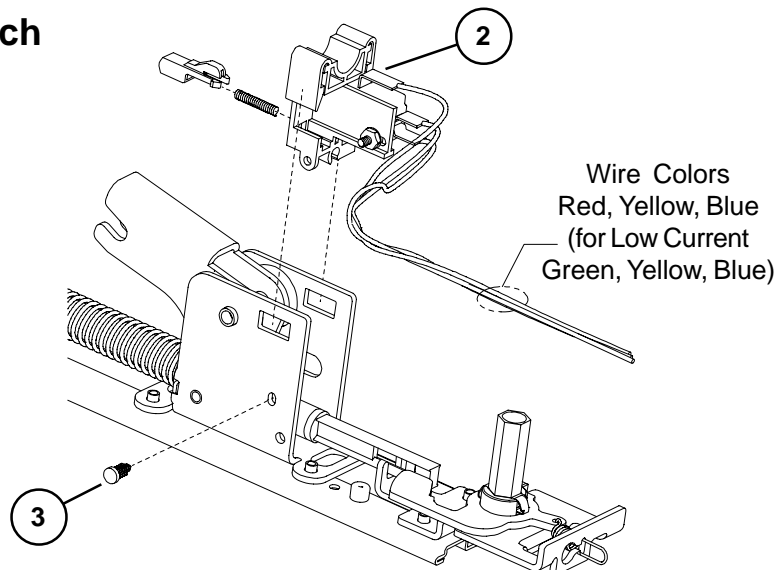
22 SERIES LX (LATCH BOLT MONITOR) & RX (REQUEST TO EXIT) OPTIONS

Item No.	Quantity	Part No.	Description	Finish
1	1	050254	LX Switch Kit 3' Device	
1	1	050255	LX Switch Kit 4' Device	
1	1	050283	LX-LC (Low Current) Switch Kit 3' Device	
1	1	050285	LX-LC (Low Current) Switch Kit 4' Device	
2	1	050251	RX Switch Kit	
2	1	050281	RX-LC (Low Current) Switch Kit	
3	1	090099	Pine Tree Clip (Pkg of 10)	
4	1	971091	LX Actuator	

LX Switch



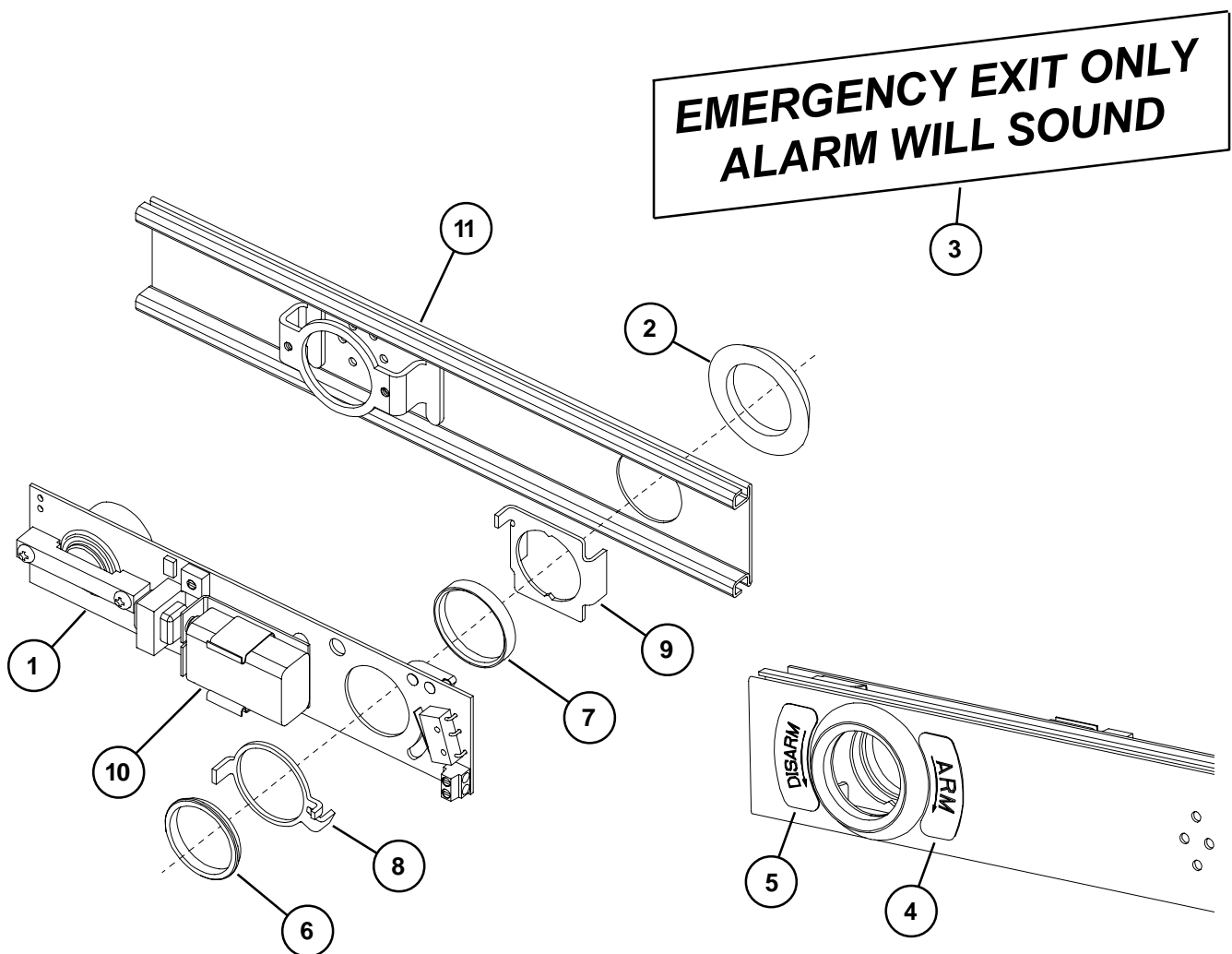
RX Switch



22 ALK EXIT ALARM KIT

Item No.	Quantity	Part No.	Description	Finish
1	1	111795	ALK PCB Assembly	
2	1	967704	Cylinder Collar	X
3	1	969122	ALK Alarm Device Sign	
4	1	969349	ALK Arming Label	
5	1	969350	ALK Disarming Label	
6	1	969354	Retainer Nut	
7	1	970594	ALK Cylinder Spacer	
8	1	971556	ALK Switch Actuator	
9	1	971557	ALK Cylinder Bracket	
10	1	990637	ALK Battery	
11	1	971470	22 ALK Cover Plate - 3' Dr	X
11	1	971471	22 ALK Cover Plate - 4' Dr	X

X in "Finish" column designates finished items; finish must be specified when ordering.

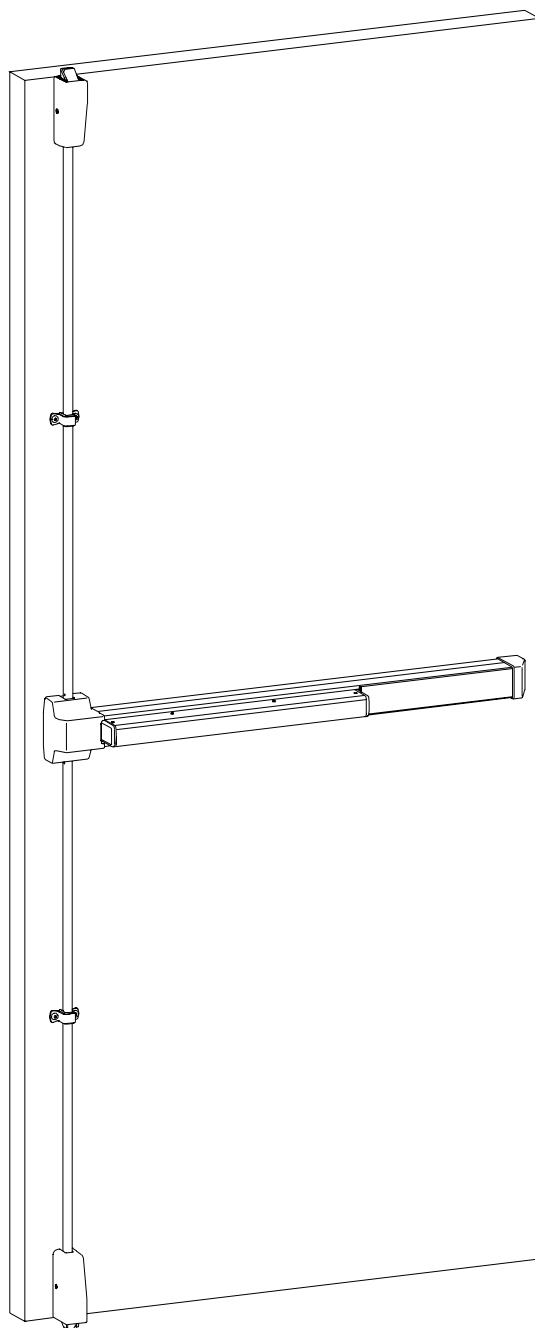


VON DUPRIN®

PARTS MANUAL

JUNE 2005

2227 SERIES VERTICAL ROD EXIT DEVICE



PM2227_B
VD-GN-1018

IR Security & Safety
Proven Source. Proven Solutions.™

Copyright © 2005 Ingersoll-Rand. All rights reserved.

INDEX

2227 Vertical Rod Devices	
Basic Panic Device	4-5
Basic Fire Device	6-7
Vertical Rods and Latch Cases	8-9
Baseplate Assemblies	10
Center Case Assembly	11
LBR Fire Latch Kit	12
Variations of the Basic Device	
RX (Request to Exit)	13
LX (Latch Bolt Monitoring)	13
ALK Exit Alarm Kit	14
General Information	
Introduction	2
How to Order	2
Part Number Changes	2
Finishes	3
Outside Trim Functions	3
Strikes	3

INTRODUCTION

This manual contains a listing of replaceable parts and assemblies for the 2227 and 2227-F Exit Hardware Devices.

HOW TO ORDER

Some parts are sold separately. Other items are available as part of a kit or multiple quantity package. For the best possible service when ordering replacement parts or assemblies, please provide the following information:

- Part number or assembly number
- Description
- Quantity needed
- Finish desired (if available finished)
- Date of original purchase (if known)

To find out the name of your local Von Duprin distributor or sales representative, contact:

Von Duprin Division
Ingersoll-Rand Company
2720 Tobey Drive
Indianapolis, Indiana 46219
Phone: (800) 999-0408
Fax: (800) 999-0328
Website: www.vonduprin.com

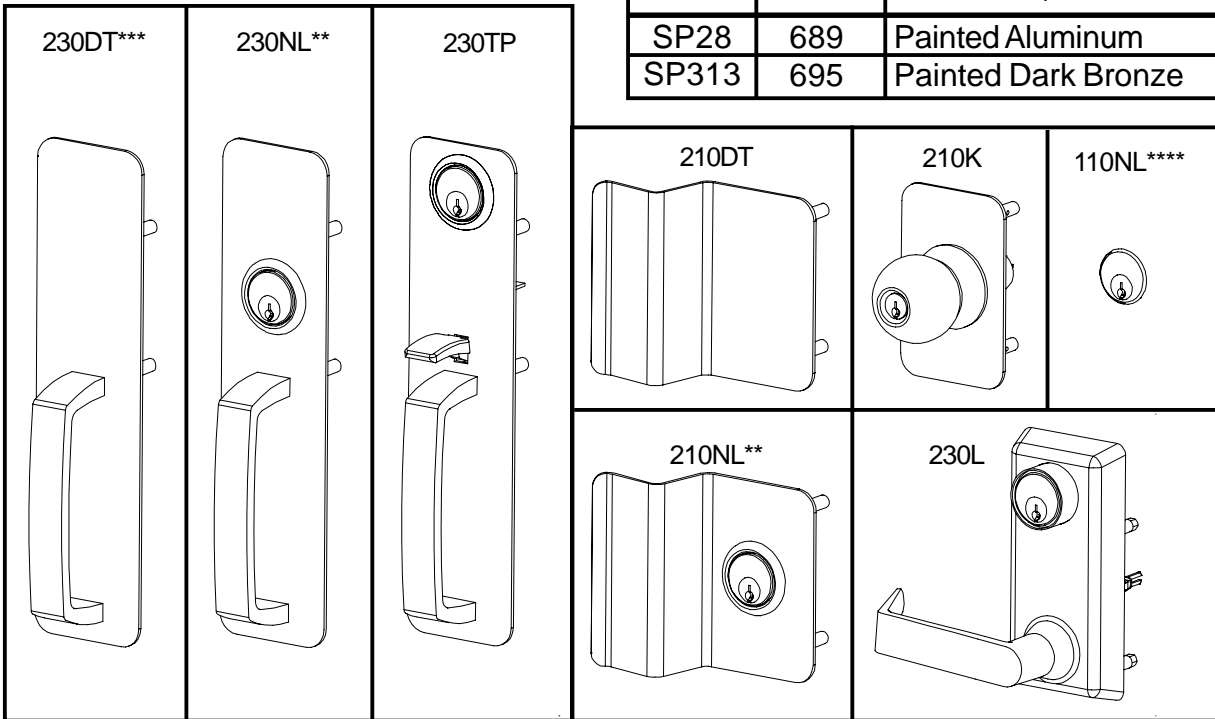
PART NUMBER CHANGES

This manual reflects the product as sold in June 2005. Because of changes to the product and/or manufacturing process, part numbers can change.

22 SERIES FINISHES

OUTSIDE TRIM FUNCTIONS

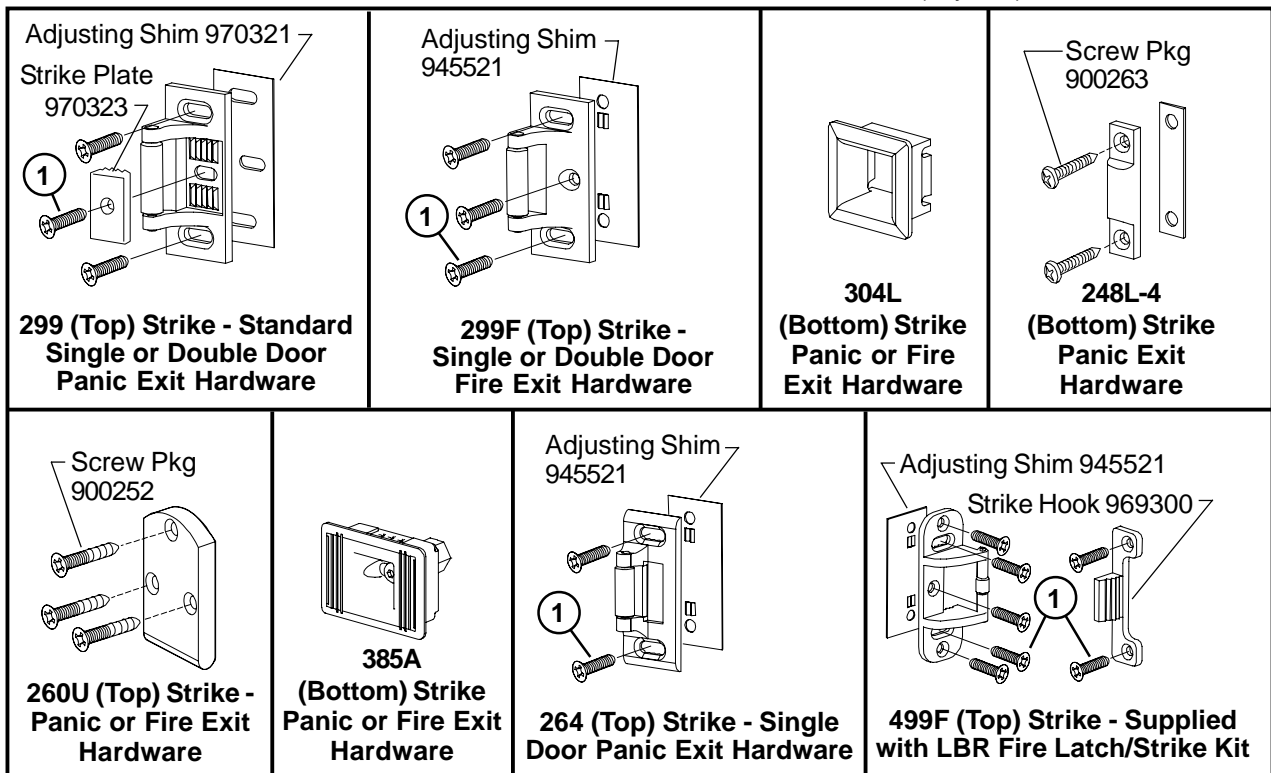
U.S. Std Reference	BHMA Reference	Description
SP28	689	Painted Aluminum
SP313	695	Painted Dark Bronze



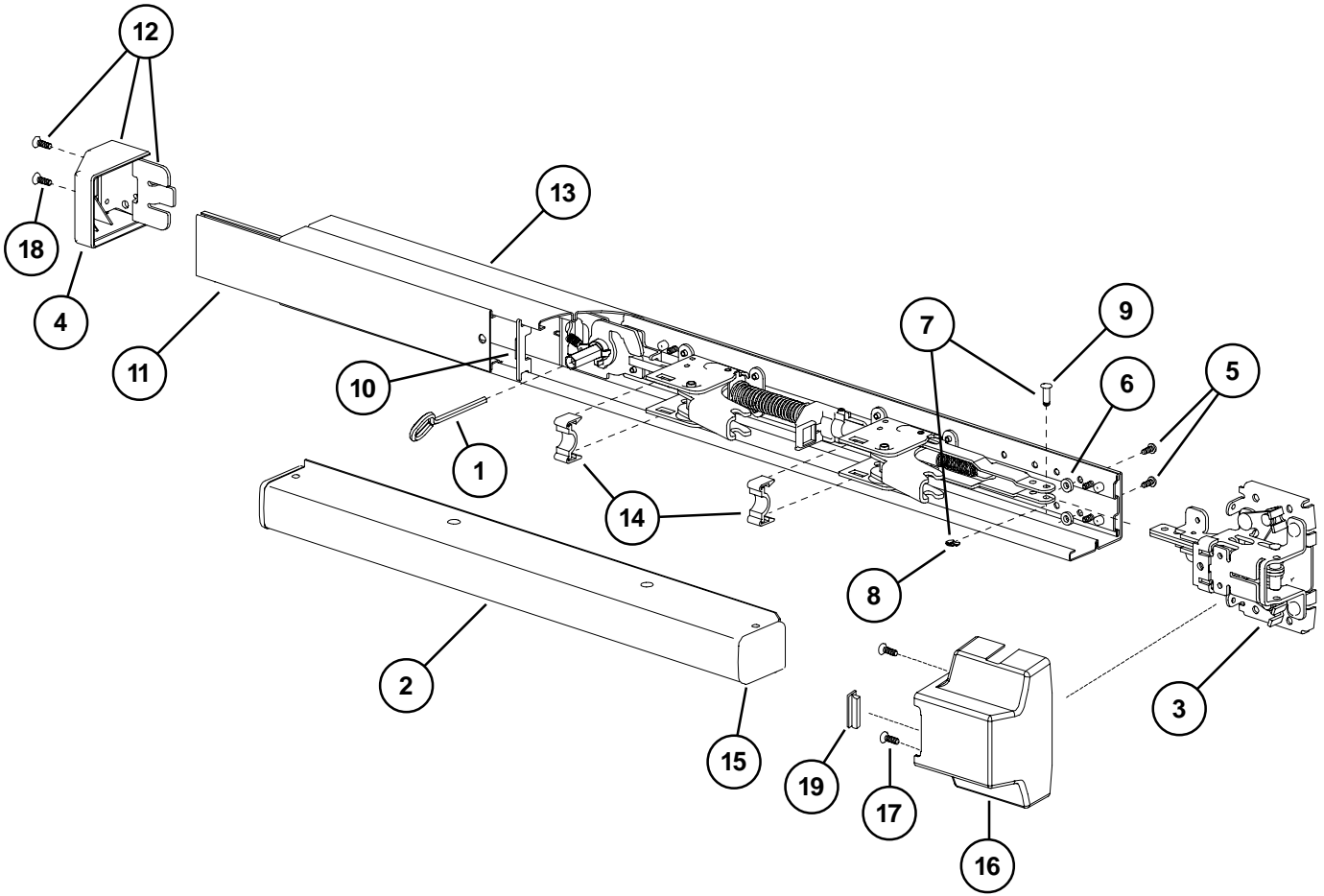
- * "BE" (Blank Escutcheon) no cylinder used - lever always active
- ** "NL" (Night Latch) rigid lever - key retracts latch bolt
- *** "DT" (Dummy Trim) rigid lever for pull operation
- **** Optional Pull needs to be added

STRIKES

- ① Metal Door Screw Package PKGSRV.1023 (Pkg of 10)
- ① Wood Door Screw 964291 (Qty of 1)



2227 VERTICAL ROD PANIC DEVICE



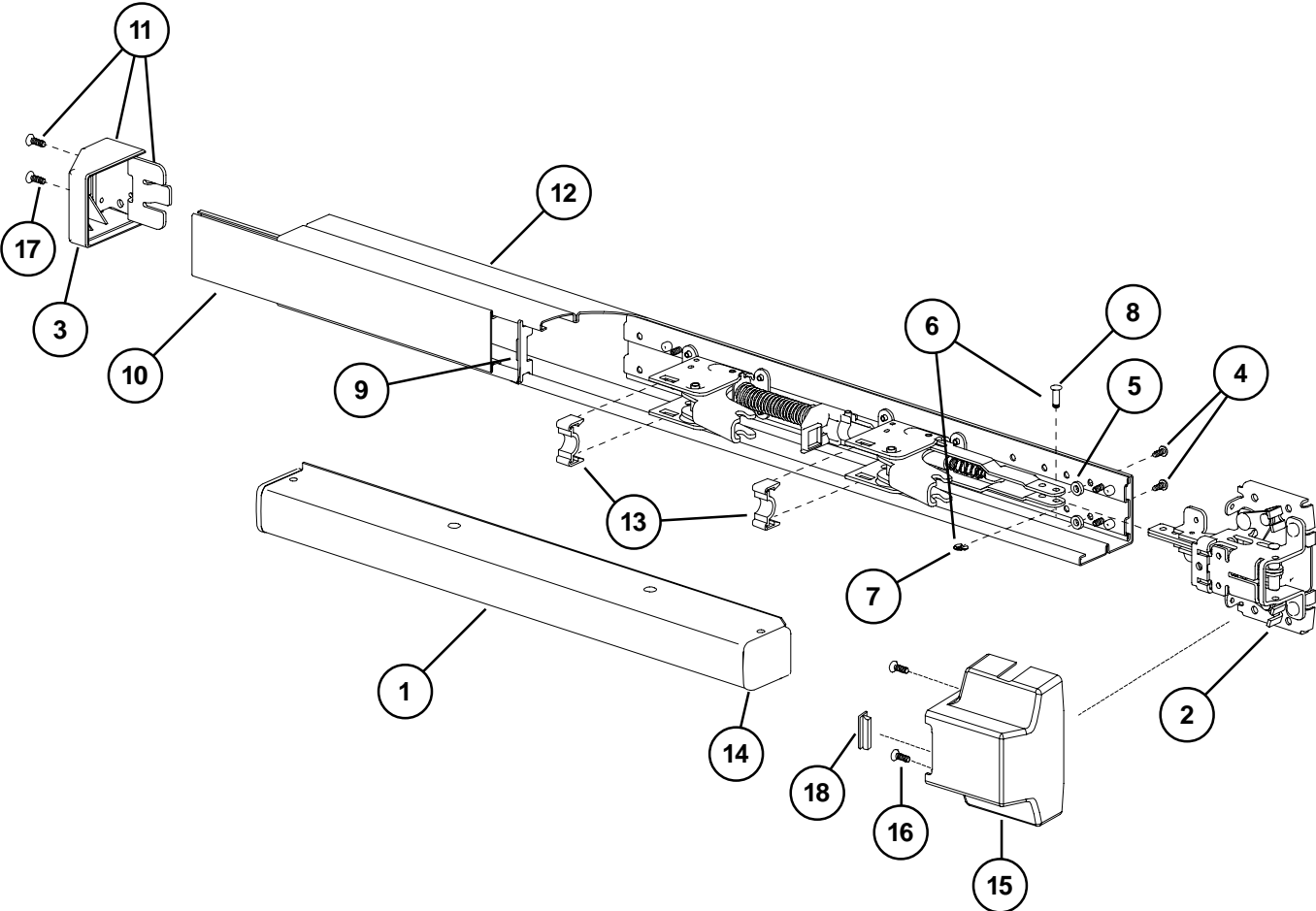
2227 VERTICAL ROD PANIC DEVICE

Item No.	Quantity	Part No.	Description	Finish
	1	900563	2227 Series Mounting Pkg 1-3/4 Door	
	1	900568	2227 Series Mounting Pkg 2-1/4 Door	
1	1	090085	227 Dog Key 5/32" Hex (Pkg of 10)	
1	1	090005	227 Dog Key 5/32" Hex (Pkg of 2)	
2	1	*PBKIT	22 Series Push Bar Retrofit Kit - 3' Door	X
2	1	*PBKIT	22 Series Push Bar Retrofit Kit - 4' Door	X
3	1	109358	2227/27-F Center Case Less Cover	
4	1	968601	22 Mechanism Case End Cap	
5	2	090037	Baseplate Screw (Pkg of 10)	
6	2	964013	3/8" x 3/16" x 3/32" Washer	
7	1	050529	22 Series Control Link Pin & Ret. Ring	
8	1	090107	Ret. Ring Pkg/10	
9	1	090031	Control Link Pin Pkg/10	
10	1	968592	Cover Plate Bearing Insert	
11	1	968595	22/2227 Cover Plate - 3' Dr	X
11	1	968596	22/2227 Cover Plate - 4' Dr	X
12	1	900981	22 End Cap Kit	
13	1	970035	22 Mechanism Case - 3' Dr	X
13	1	970036	22 Mechanism Case - 4' Dr	X
14	2	966268	Touch Bar Cover Bearing Insert	
15	1	968598	22 Push Bar End Cap	
16	1	968888	2227/27-F Center Case Cover	X
17	2	090077	22 Series Center Case Cover Screw Pkg/4	
18	2	964520	22 End Cap Screw	
19	1	966268	Touch Bar Cover Bearing Insert	

X in "Finish" column designates finished items; finish must be specified when ordering.

* To order, specify device type, size, and finish. Example: PBKIT 22 3' SP28

2227-F VERTICAL ROD FIRE DEVICE



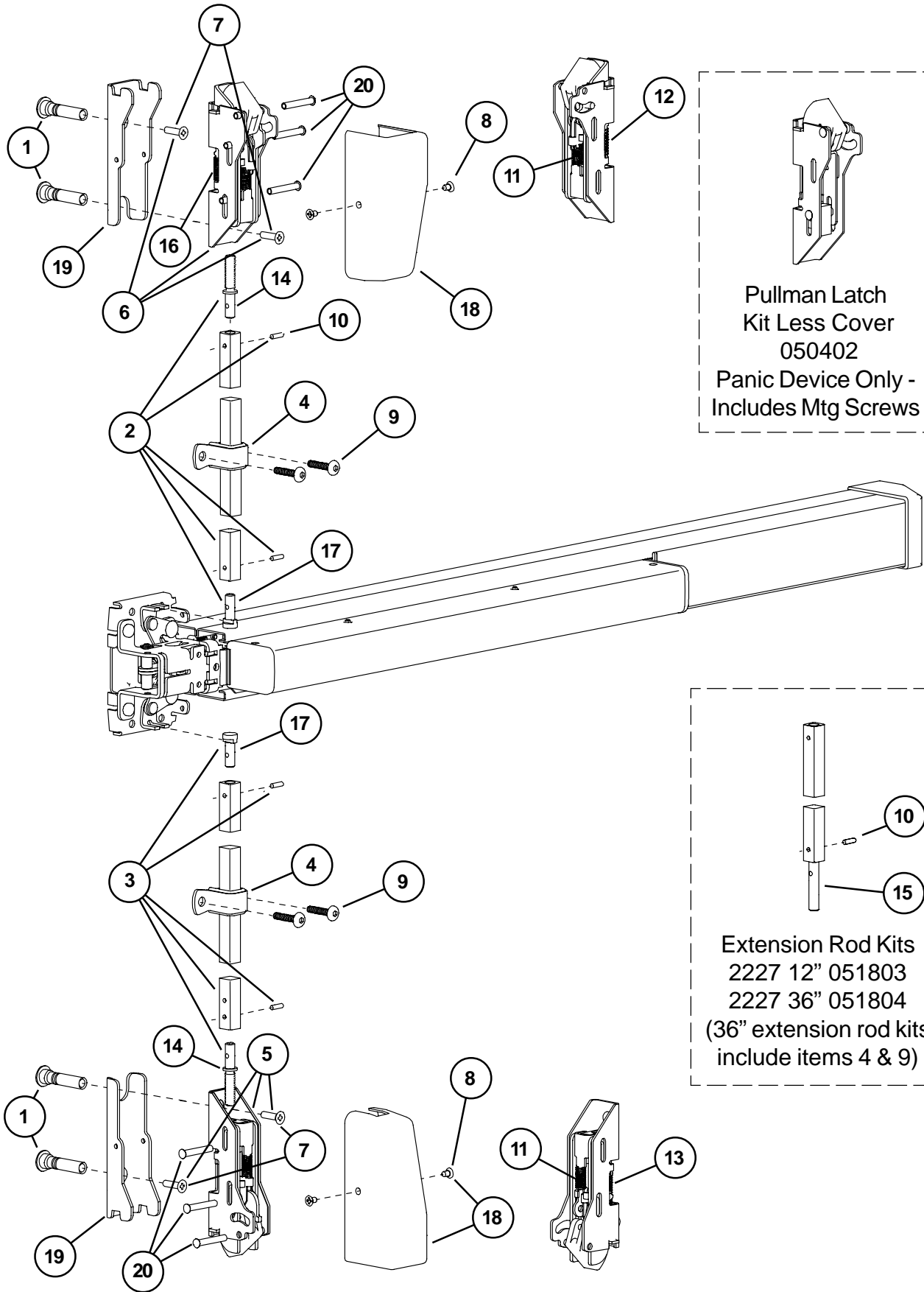
2227-F VERTICAL ROD FIRE DEVICE

Item No.	Quantity	Part No.	Description	Finish
	1	900563	2227 Series Mounting Pkg 1-3/4 Door	
	1	900568	2227 Series Mounting Pkg 2-1/4 Door	
1	1	*PBKIT	22 Series Push Bar Retrofit Kit - 3' Door	X
1	1	*PBKIT	22 Series Push Bar Retrofit Kit - 4' Door	X
2	1	109358	2227/27-F Center Case Less Cover	
3	1	968601	22 Mechanism Case End Cap	
4	2	090037	Baseplate Screw (Pkg of 10)	
5	2	964013	3/8" x 3/16" x 3/32" Washer	
6	1	050529	22 Series Control Link Pin & Ret. Ring	
7	1	090107	Ret. Ring Pkg/10	
8	1	090031	Control Link Pin Pkg/10	
9	1	968592	Cover Plate Bearing Insert	
10	1	969127	22/2227-F Cover Plate - 3' Dr	X
10	1	969126	22/2227-F Cover Plate - 4' Dr	X
11	1	900981	22 End Cap Kit	
12	1	970035	22 Mechanism Case - 3' Dr	X
12	1	970036	22 Mechanism Case - 4' Dr	X
13	2	966268	Touch Bar Cover Bearing Insert	
14	1	968598	22 Push Bar End Cap	
15	1	968888	2227/27-F Center Case Cover	X
16	2	090077	22 Series Center Case Cover Screw Pkg/4	
17	2	964520	22 End Cap Screw	
18	1	966268	Touch Bar Cover Bearing Insert	

X in "Finish" column designates finished items; finish must be specified when ordering.

* To order, specify device type, size, and finish. Example: PBKIT 22 3' SP28

2227 VERTICAL RODS AND LATCHES



Pullman Latch
Kit Less Cover
050402
Panic Device Only -
Includes Mtg Screws

Extension Rod Kits
2227 12" 051803
2227 36" 051804
(36" extension rod kits
include items 4 & 9)

2227 VERTICAL RODS AND LATCHES

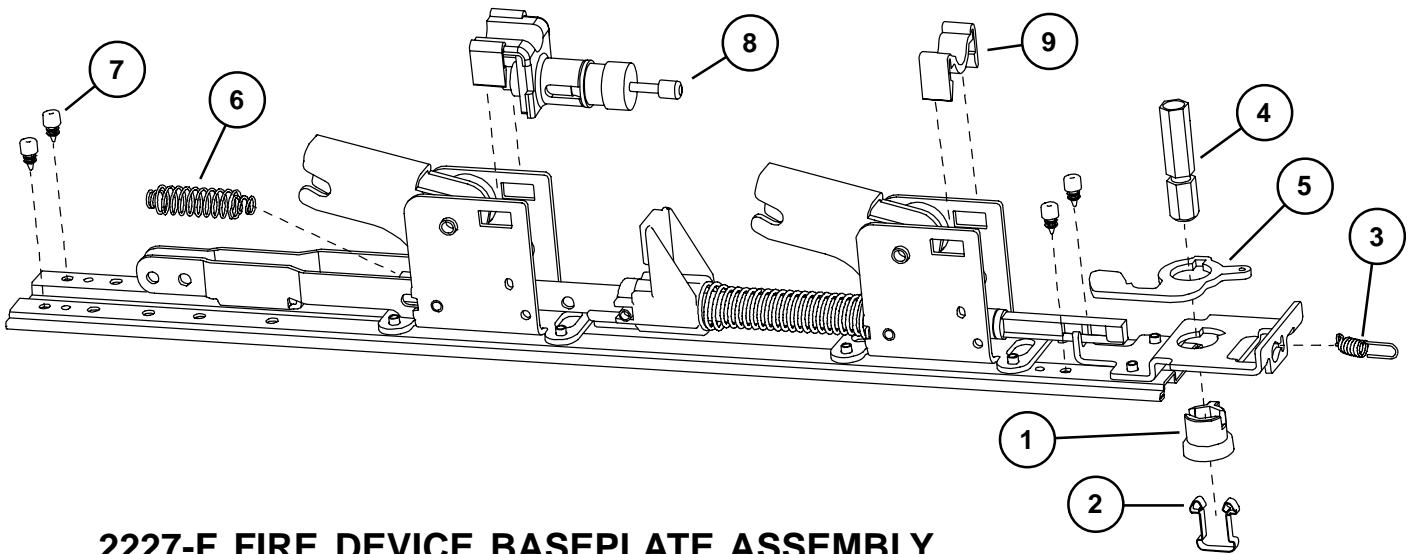
Item No.	Quantity	Part No.	Description	Finish
1	2	034902	325 Sex Bolt Package (Pkg of 2)	X
2	1	109361	2227 Top Vertical Rod	X
3	1	109362	2227 Bottom Vertical Rod	X
4	2	112063	2227 Rod Guide Pkg	X
5	1	050401	2227 Bottom Latch Kit Less Cover	
6	1	050400	2227 Top Latch Kit Less Cover	
7	1	900589	Latch Mounting Package (Pkg of 4)	
8	2	900850	Latch Case Cover Screw (Pkg of 2)	X
9	2	900919	2227 Rod Guide Mounting Package	X
10	4	090054	Rod Roll Pin (Pkg of 10)	
11	2	090065	Bolt Return Spring (Pkg of 10)	
12	1	090056	Top Latch Compression Spring (Pkg of 10)	
12	1	090057	PL Top Latch Spring (Pkg of 10)	
13	1	090058	Bottom Latch Case Spring (Pkg of 10)	
14	2	090067	Rod Connector - Latch (Pkg of 2)	
15	1	090075	2227 Rod Extension Connector Pkg/4	
16	1	090076	Aux. Bolt Spring (Pkg of 10)	
17	2	090068	Rod Connector - Center Case (Pkg of 2)	
18	2	050566	Latch Case Cover Kit w/Screws	X
19	2	050546	Latch Case Mtg. Bracket Kit	
20	6	090055	Housing Guide Pin (Pkg of 10)	
*	1	050090	2227 Bottom Latch Retrofit Kit	X
*	1	050091	2227 Top Latch Retrofit Kit	X

* For devices shipped before October 1998.

X in "Finish" column designates finished items; finish must be specified when ordering.

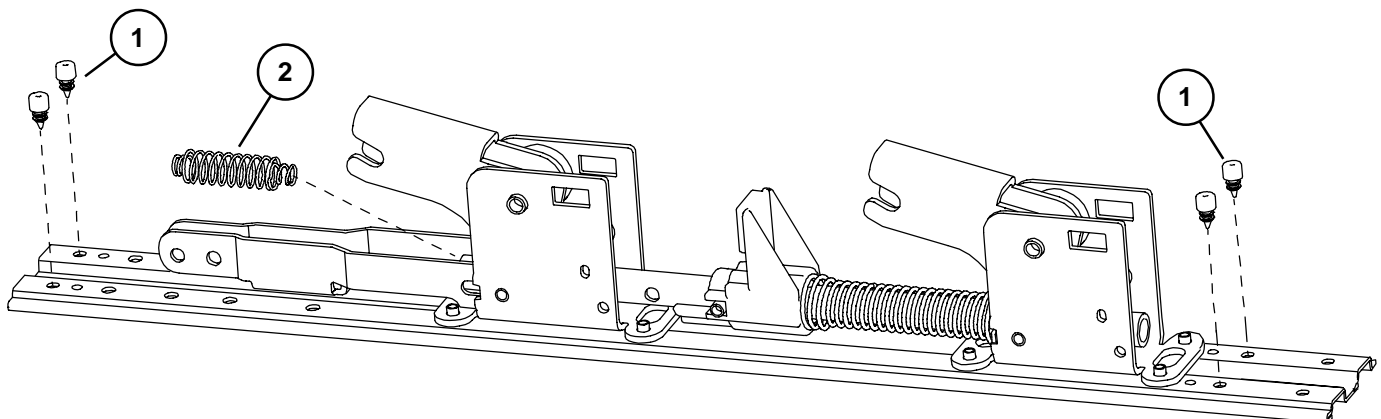
2227 PANIC DEVICE BASEPLATE ASSEMBLY

Item No.	Quantity	Part No.	Description	Finish
1	1	090043	Dogging adapter (Pkg of 2)	
2	1	090042	Dogging adapter spring (Pkg of 2)	
3	1	090041	Dogging spring (Pkg of 2)	
4	1	090040	Hex dogging shaft (Pkg of 2)	
5	1	090044	Dogging hook (Pkg of 2)	
6	1	090039	Latch return spring (Pkg of 10)	
7	4	090038	Rubber bumper (Pkg of 4)	
8	1	050491	Shock absorber	
9	1	090048	Baseplate Bearing Strip (Pkg of 2)	



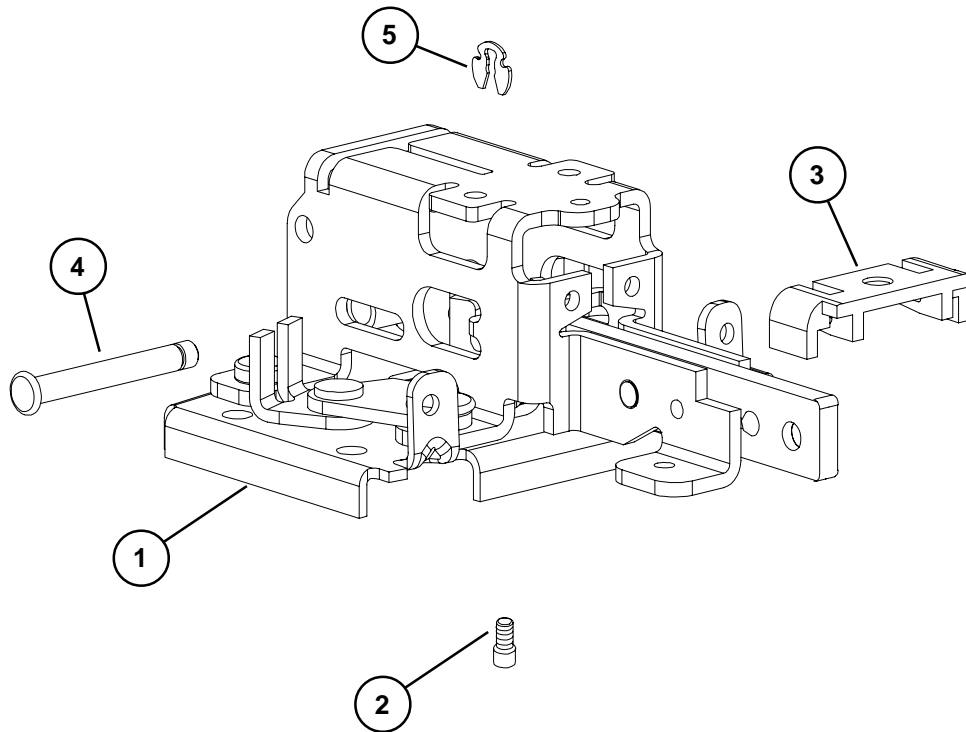
2227-F FIRE DEVICE BASEPLATE ASSEMBLY

Item No.	Quantity	Part No.	Description	Finish
1	4	090038	Rubber bumper (Pkg of 4)	
2	1	090039	Baseplate Return Spring Pkg/10	



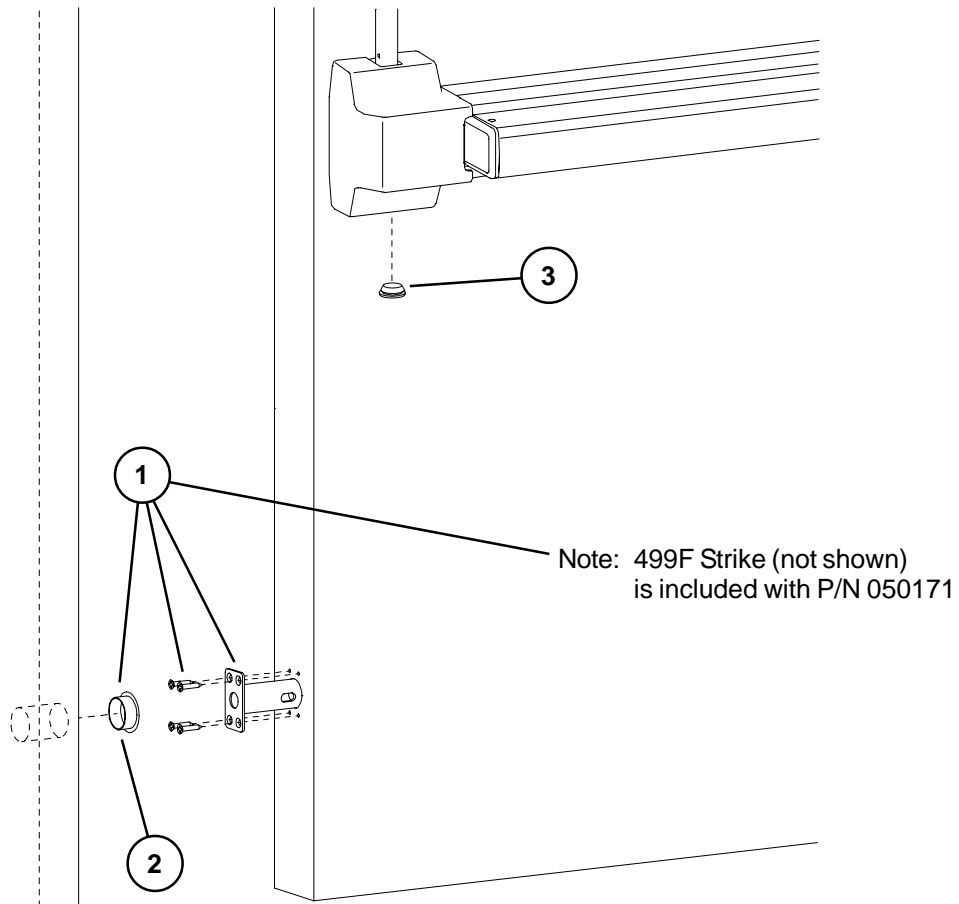
2227 PANIC & 2227-F FIRE DEVICE CENTER CASE ASSEMBLY

Item No.	Quantity	Part No.	Description	Finish
1	1	109358	2227/27-F Center Case Less Cover	
2	1	090074	NL Drive Screw (Pkg of 10)	
3	1	971592	22/2227 Pushbar Stop	
4	1	090079	2227 Latchbolt Pin Pkg/10	
5	1	090107	Control Link Pin Ret. Ring Pkg/10	



2227-F LBR (LESS BOTTOM ROD) FIRE LATCH KIT

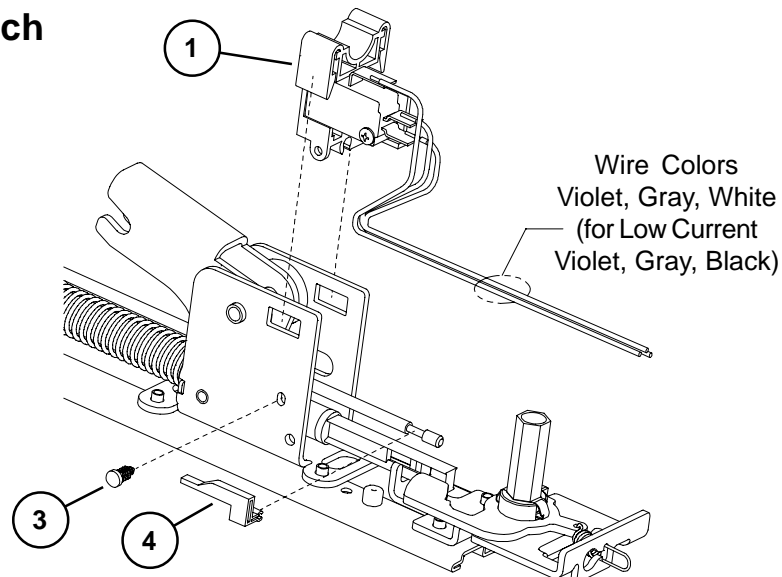
Item No.	Quantity	Part No.	Description	Finish
1	1	050171	LBR Fire Latch/Strike kit	
2	1	050509	LBR Fire Strike Plug	
3	1	113334	LBR Center Case Hole Plug	



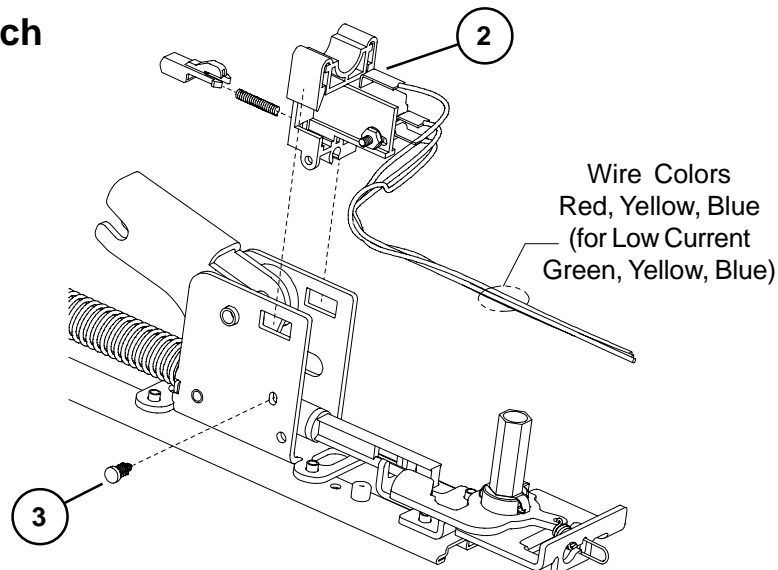
2227 SERIES LX (LATCH BOLT MONITOR) & RX (REQUEST TO EXIT) OPTIONS

Item No.	Quantity	Part No.	Description	Finish
1	1	050254	LX Switch Kit 3' Device	
1	1	050255	LX Switch Kit 4' Device	
1	1	050283	LX-LC (Low Current) Switch Kit 3' Device	
1	1	050285	LX-LC (Low Current) Switch Kit 4' Device	
2	1	050251	RX Switch Kit	
2	1	050281	RX-LC (Low Current) Switch Kit	
3	1	090099	Pine Tree Clip (Pkg of 10)	
4	1	971091	LX Actuator	

LX Switch



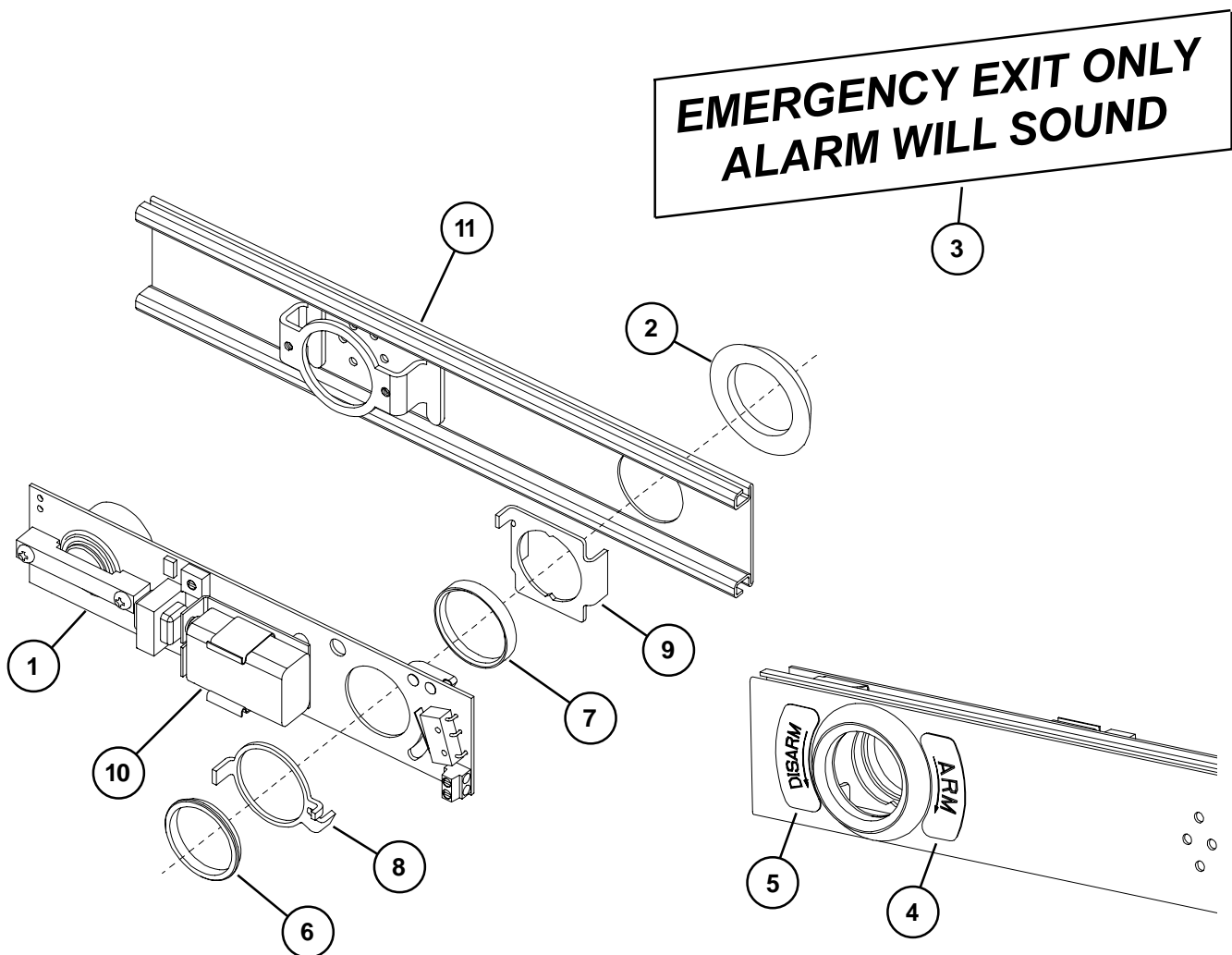
RX Switch



2227 ALK EXIT ALARM KIT

Item No.	Quantity	Part No.	Description	Finish
1	1	111795	ALK PCB Assembly	
2	1	967704	Cylinder Collar	X
3	1	969122	ALK Alarm Device Sign	
4	1	969349	ALK Arming Label	
5	1	969350	ALK Disarming Label	
6	1	969354	Retainer Nut	
7	1	970594	ALK Cylinder Spacer	
8	1	971556	ALK Switch Actuator	
9	1	971557	ALK Cylinder Bracket	
10	1	990637	ALK Battery	
11	1	971470	22 ALK Cover Plate - 3' Dr	X
11	1	971471	22 ALK Cover Plate - 4' Dr	X

X in "Finish" column designates finished items; finish must be specified when ordering.

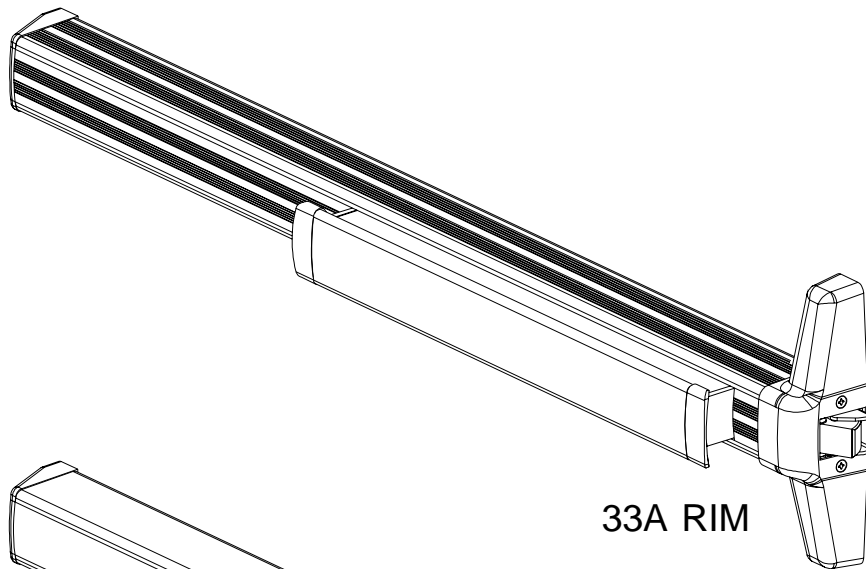


VON DUPRIN®

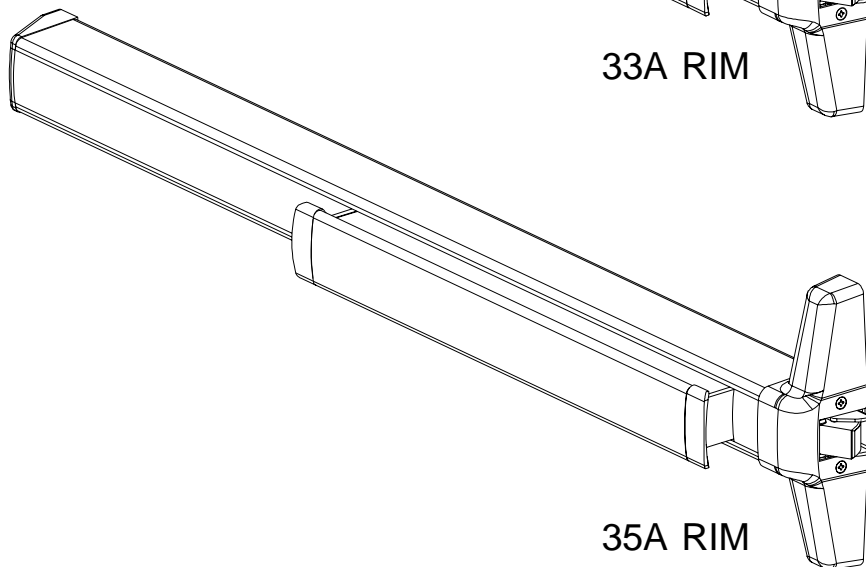
PARTS MANUAL

JUNE 2005

33A/35A SERIES RIM EXIT DEVICES



33A RIM



35A RIM

PM33A35A_Rim_B
VD-4049

IR Security & Safety
Proven Source. Proven Solutions.™

Copyright © 2005 Ingersoll-Rand. All rights reserved.

INDEX

33A/35A Rim Panic Devices	
Basic Device	4-5
Baseplate Assembly	6
Variations of the Basic Device	
CD (Cylinder Dogging)	4
HD-EL (Hex Dogging/Electric Latch Retraction)	7
EL (Electric Latch Retraction)	8
SS (Signal Switch)	8
CX Chexit	9
RX (Request to Exit)	10-11
LX (Latch Bolt Monitoring)	10-11
ALK Exit Alarm Kit	12
General Information	
Introduction	2
How to Order	2
Part Number Changes	2
Finishes	3
Outside Trim Functions	3
Strikes	3

INTRODUCTION

This manual contains a listing of replaceable parts and assemblies for the 33A/35A Rim Panic Exit Hardware Devices. (33A Series and 35A Series devices are almost identical. The 33A Series has a grooved case; the 35A Series has a smooth case.)

HOW TO ORDER

Some parts are sold separately. Other items are available as part of a kit or multiple quantity package. For the best possible service when ordering replacement parts or assemblies, please provide the following information:

- Part number or assembly number
- Description
- Quantity needed
- Finish desired (if available finished)
- Date of original purchase (if known)

To find out the name of your local Von Duprin distributor or sales representative, contact:

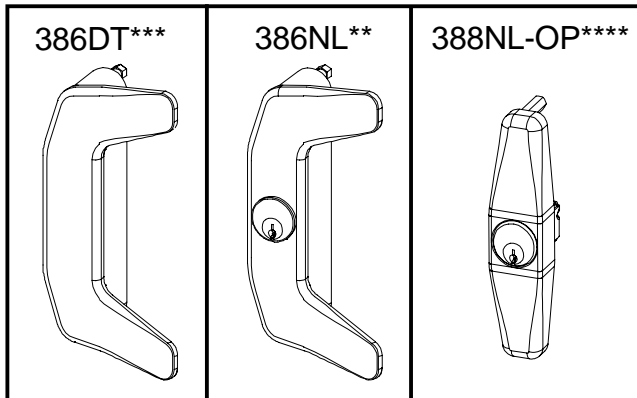
Von Duprin Division
Ingersoll-Rand Company
2720 Tobey Drive
Indianapolis, Indiana 46219
Phone: (800) 999-0408
Fax: (800) 999-0328
Website: www.vonduprin.com

PART NUMBER CHANGES

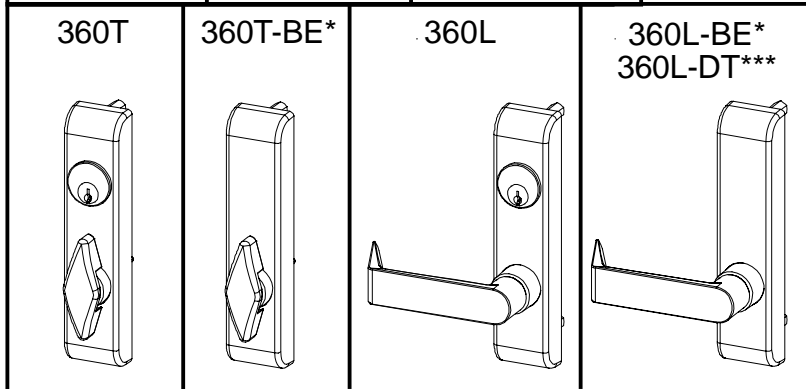
This manual reflects the product as sold in June 2005. Because of changes to the product and/or manufacturing process, part numbers can change.

OUTSIDE TRIM FUNCTIONS

33A/35A SERIES FINISHES



U.S. Std Reference	BHMA Reference	Description
US3	605	Polished Brass
US4	606	Dull Brass
US10	612	Dull Bronze
US15	619	Satin Nickel
US26	625	Polished Chrome
US26D	626	Dull Chrome
US28	628	Anodized Alum. (Clear)
313AN	710	Anodized Alum. (313) Dark Bronze
315AN	711	Anodized Alum. (Black)

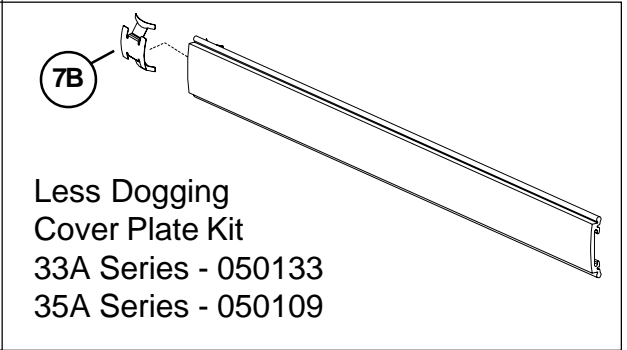
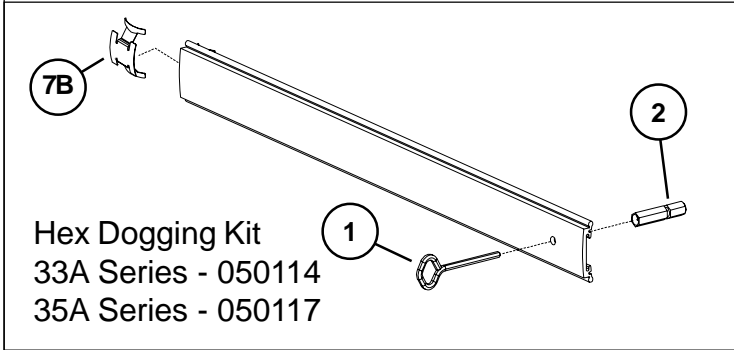
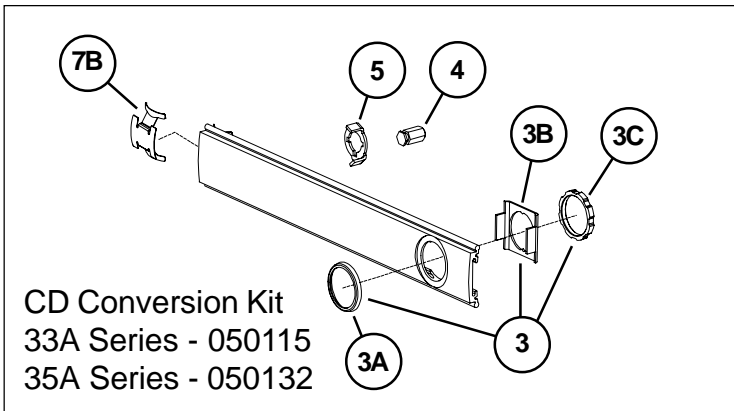
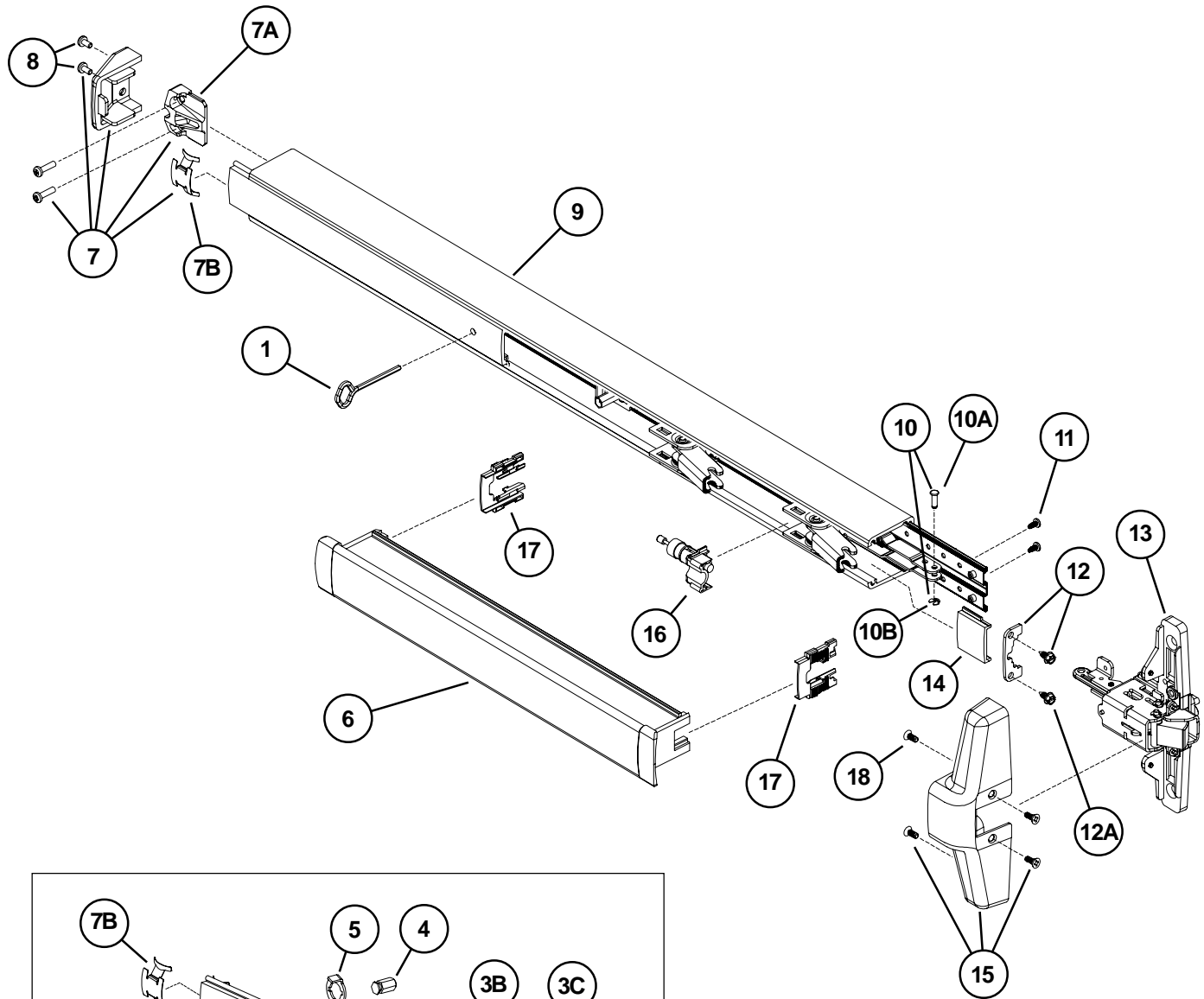


- * "BE" (Blank Escutcheon) no cylinder used - lever always active
- ** "NL" (Night Latch) rigid lever - key retracts latch bolt
- *** "DT" (Dummy Trim) rigid lever for pull operation
- **** "NL-OP" (Optional Pull) needs to be added

STRIKES

<p>1439 Strike - Single door Standard Panic Exit Hardware</p>	<p>1410 Strike - Single Door Integral Stop Panic Exit Hardware</p>	<p>1609 Strike - Double Door Rim/ Vertical Rod Combination (Consult Factory) Panic Exit Hardware</p>
<p>299 Strike - Single or Double Door Panic Exit Hardware</p>	<p>1606 Strike - Single or Double Door Panic Exit Hardware</p>	<p>1408 Strike - Double Door Used on 5754 Mullions Panic Exit Hardware</p>

33A/35A RIM PANIC DEVICE



33A/35A RIM PANIC DEVICE

Item No.	Quantity	Part No.	Description	Finish
	1	900619	33A/35A Series Mounting Pkg. (1-3/4 & 2-1/4)	
1	1	090085	227 Dog Key 5/32" Hex (Pkg of 10)	
1	1	090005	227 Dog Key 5/32" Hex (Pkg of 2)	
2	1	090040	Hex Dog Shaft (Pkg of 2)	
3	1	107813	Cylinder Mounting Pkg	X
3A	1	050525	Cylinder Collar	X
3B	1	050490	Cylinder Locating Washer - CD/SS	
3C	1	050526	Cylinder Locknut	
4	1	090046	CD Dogging Plug (Pkg of 2)	
5	1	090045	CD Actuator Arm (Pkg of 2)	
6	1	*PBKIT	33A/35A Series Push Bar Retrofit Kit - 3' Door	X
6	1	*PBKIT	33A/35A Series Push Bar Retrofit Kit - 4' Door	X
7	1	050014	33A/35A Series Series End Cap Kit	X
7A	1	050524	Impact Resistant End Cap Bracket	
7B	1	090036	Cover Plate Anti-rattle Spring (Pkg of 10)	
8	1	900597	Device End Cap and C/Case Screw Pkg.	X
9	1	050486	33A Series Mechanism Case - 3' Door	X
9	1	050487	33A Series Mechanism Case - 4' Door	X
9	1	050488	35A Series Mechanism Case - 3' Door	X
9	1	050489	35A Series Mechanism Case - 4' Door	X
10	1	050529	Control Link Pin & Ret. Ring	
10A	1	090031	Series Control Link Pin	
10B	1	090107	Retaining Ring (Pkg of 10)	
11	2	090037	#8-32 x 3/8" Baseplate Screw (Pkg of 10)	
12	1	050530	Mechanism Case Bracket Kit	
12A	2	090073	Mechanism Case Bracket Screw (Pkg of 10)	
13**	1	050403	33A/35A Rim Center Case Less Cover	
14	1	050474	33A Series Cover Plate - C. Case Side	X
14	1	050475	35A Series Cover Plate - C. Case Side	X
15	1	050483	33A/35A Rim Center Case Cover Kit	X
16	1	050491	Shock Absorber & Holder Assembly	
17	2	090049	Push Bar Guide (Pkg of 10)	
18	4	900892	Center Case Cover Screws (Pkg of 4)	X

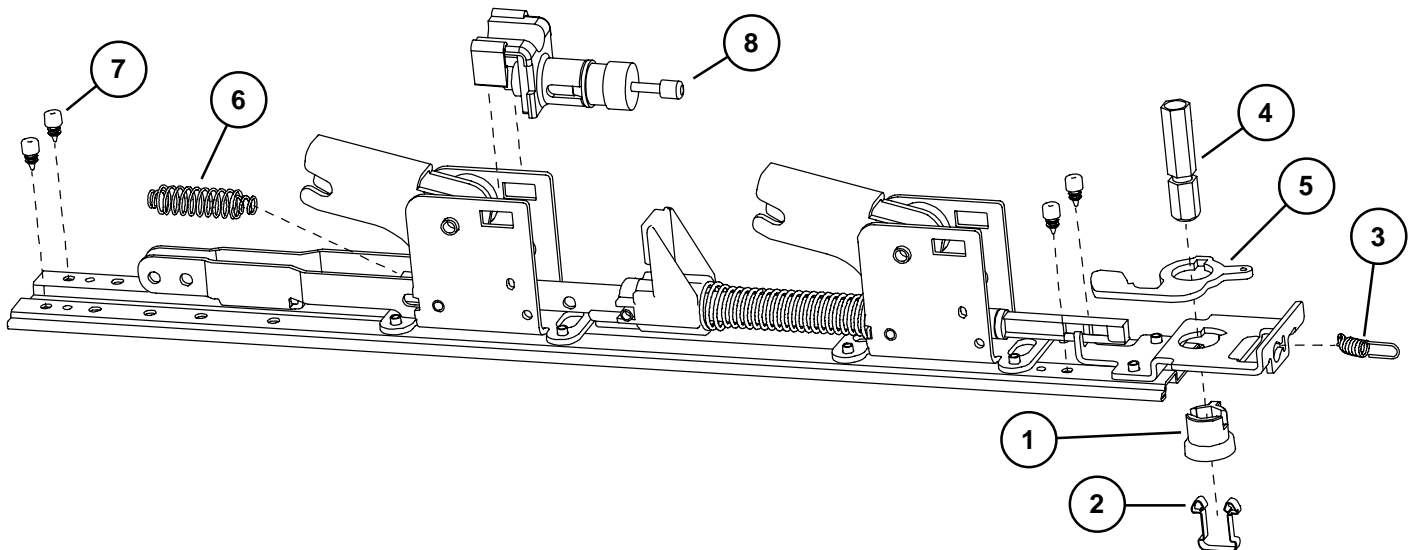
X in "Finish" column designates finished items; finish must be specified when ordering.

* To order, specify device type, size, and finish. Example: PBKIT 33A 3' US28

**Device mounting screws 900619 included.

33A/35A RIM PANIC DEVICE BASEPLATE ASSEMBLY

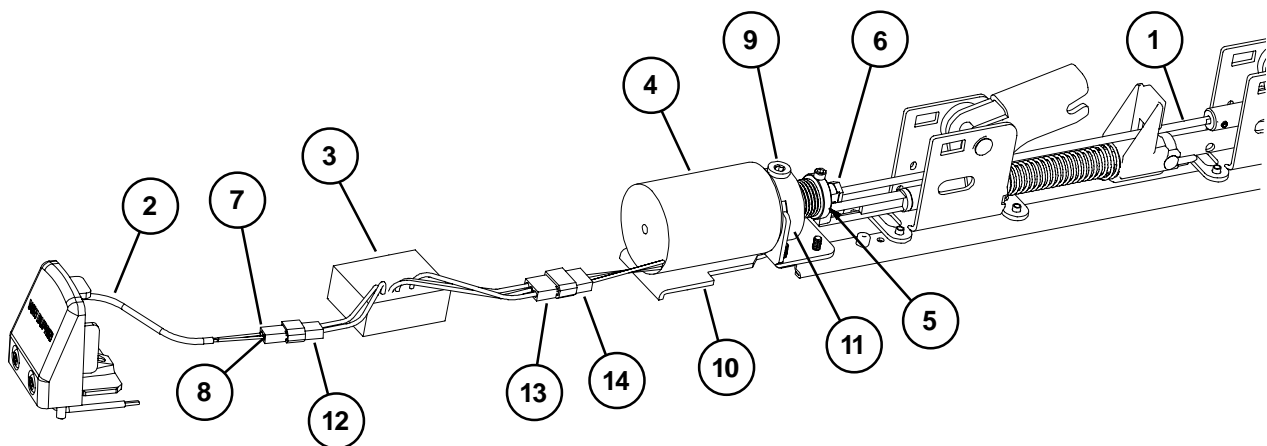
Item No.	Quantity	Part No.	Description	Finish
1	1	090043	Dogging adapter (Pkg of 2)	
2	1	090042	Dogging adapter spring (Pkg of 2)	
3	1	090041	Dogging spring (Pkg of 2)	
4	1	090040	Hex dogging shaft (Pkg of 2)	
5	1	090044	Dogging hook (Pkg of 2)	
6	1	090039	Latch return spring (Pkg of 10)	
7	4	090038	Rubber bumper (Pkg of 4)	
8	1	050491	Shock absorber	



HD-EL33A/HD-EL35A HEX DOGGING/ELECTRIC LATCH RETRACTION OPTION - PANIC DEVICE ONLY

Item No.	Quantity	Part No.	Description	Finish
1	1	050531	EL Dogging Rod Kit - 3' Device	
1	1	050532	EL Dogging Rod Kit - 4' Device	
2	1	110388	EL 6' Cable and Connector	
3	1	050534	EL Potted Circuit Breaker	
4	1	050536	HD-EL Solenoid	
5	1	050537	HD-EL Solenoid Plunger	
6	1	050538	EL Dogging Rod Retainer	
7	1	050539	EL Receptacle Connector - 2 Position	
8	2	050540	EL Female Terminal	
9	1	050541	HD-EL Dog Screw	
10	1	050542	HD-EL Solenoid Bracket	
11	1	050543	HD-EL Dogging Spring	
12	1	990599	EL Plug Connector - 2 Position	
13	1	990857	EL Receptacle Connector - 3 Position	
14	1	990858	EL Plug Connector - 3 Position	
*	1	050384	HD-EL Conversion Kit - 3'	
*	1	050385	HD-EL Conversion Kit - 4'	

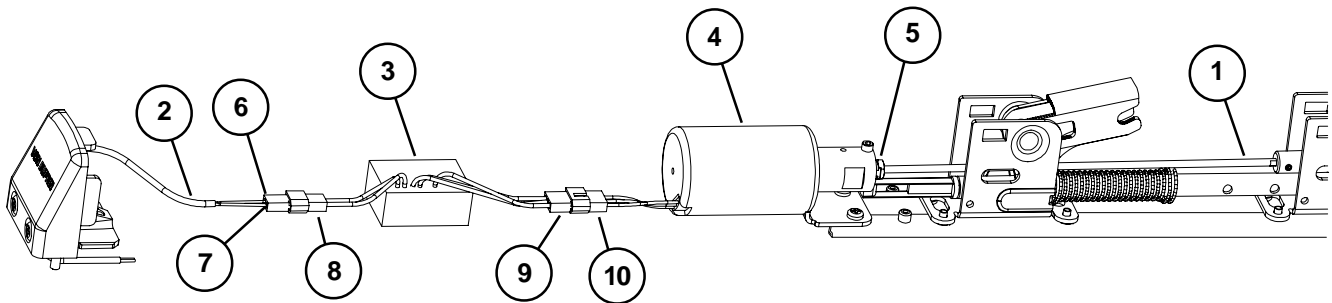
*Kit includes items 1-11 plus new control link, retaining ring, and baseplate screws.



EL33A/EL35A SERIES ELECTRIC LATCH RETRACTION OPTION

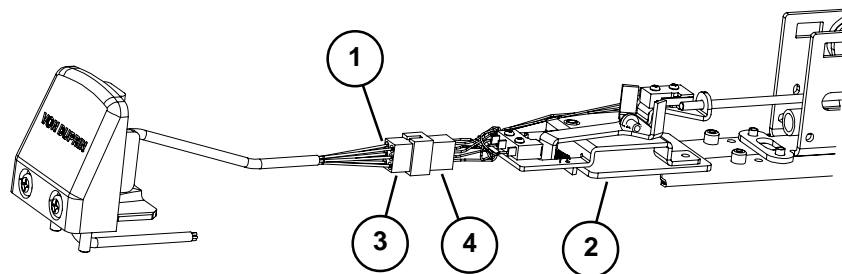
Item No.	Quantity	Part No.	Description	Finish
1	1	050531	EL Dogging Rod Kit - 3' device	
1	1	050532	EL Dogging Rod Kit - 4' device	
2	1	110388	EL 6' Cable and Connector	
3	1	050534	EL Potted Circuit Breaker	
4	1	050535	EL Solenoid Assembly	
5	1	050538	EL Dogging Rod Retainer	
6	1	050539	EL Receptacle Connector	
7	2	050540	EL Female Terminal	
8	1	990599	EL Plug Connector - 2 Position	
9	1	990857	EL Receptacle Connector - 3 Position	
10	1	990858	EL Plug Connector - 3 Position	
*	1	050070	EL Conversion Kit - 3'	
*	1	050078	EL Conversion Kit - 4'	

*Kit includes items 1-7 plus new control link pin, retaining ring, and baseplate screws.



SS33A/SS35A SERIES (SIGNAL SWITCH) OPTION

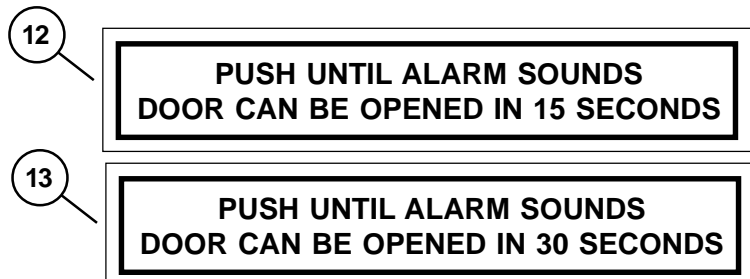
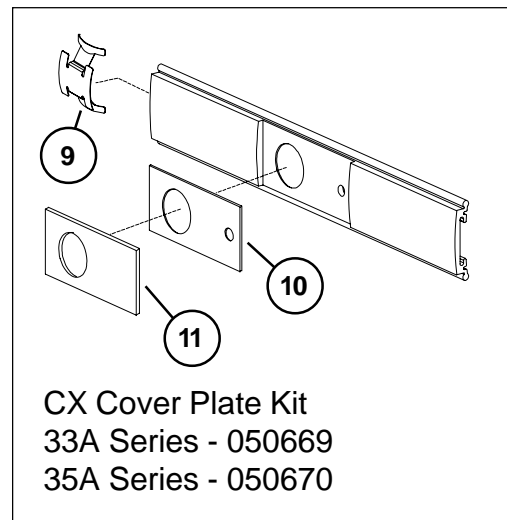
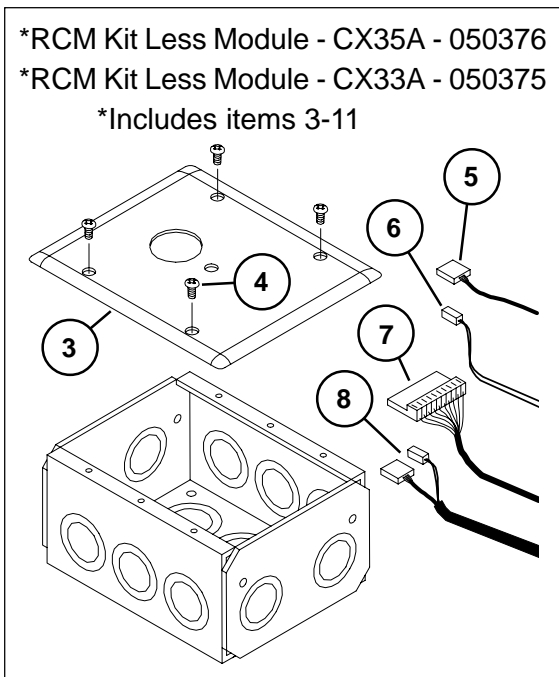
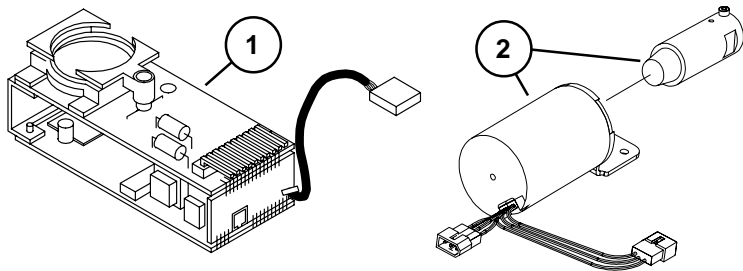
Item No.	Quantity	Part No.	Description	Finish
1	1	050544	SS Cable	
2	1	050545	SS Housing	
3	1	990601	SS Plug Connector - 6 Position	
4	1	990602	SS Receptacle Connector - 6 Position	

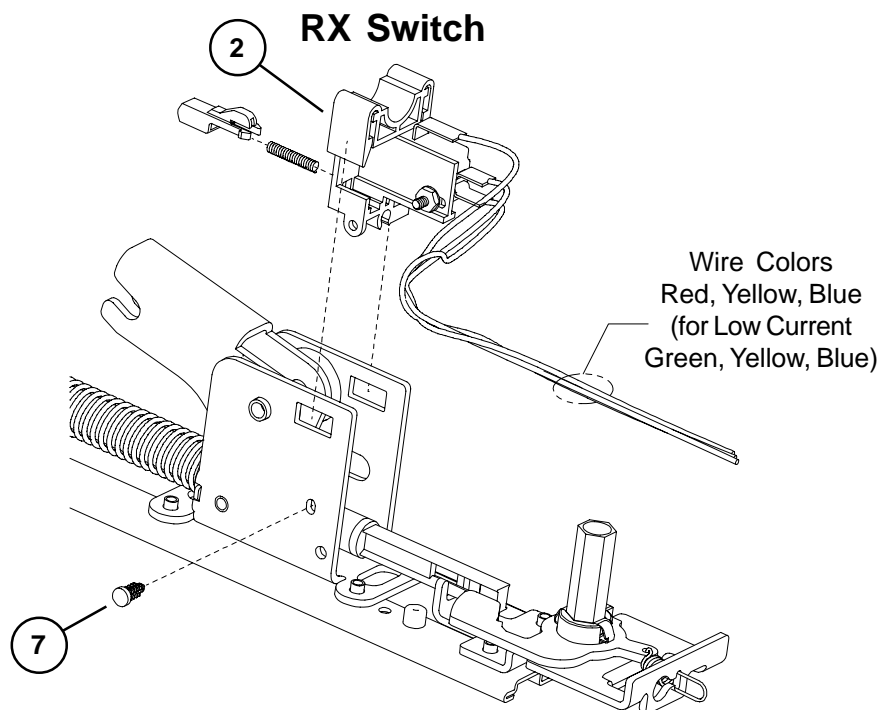
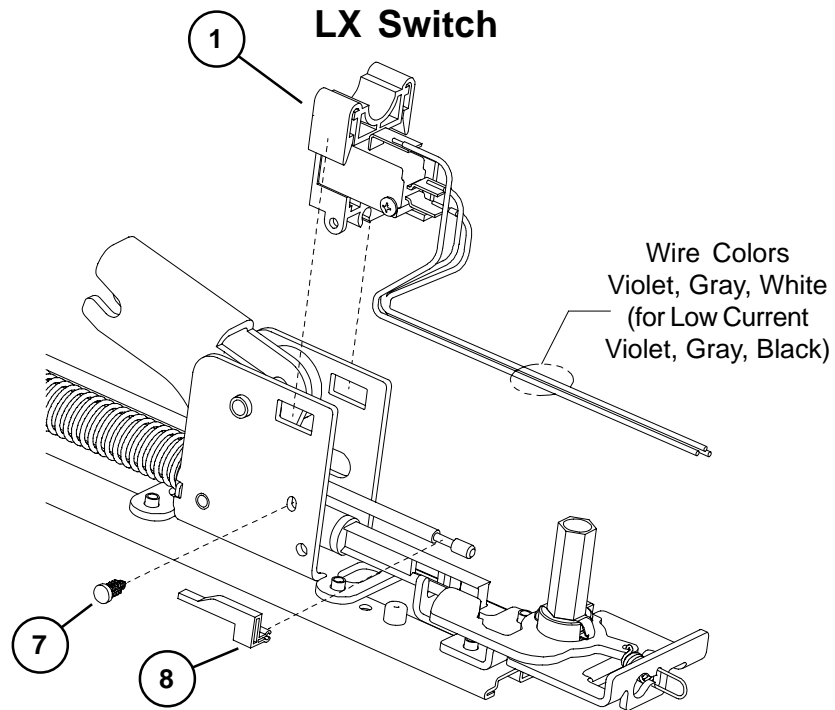


CX33A/35A SERIES CHEXIT AND CX-RCM OPTION

Item No.	Quantity	Part No.	Description	Finish
1	1	050228	Chexit PCB Kit - 15 Second Release	
1*	1	050700	Chexit PCB Kit - 30 Second Release	
1	1	050701	Chexit PCB Kit - 0 Second Release	
1	1	050702	Chexit PCB Kit - Boca 15 Second Release	
1*	1	050703	Chexit PCB Kit - Boca 30 Second Release	
2	1	050533	CX Solenoid and Plunger	
3	1	113111	Faceplate and Adapter	X
4	4	963898	6-32 x 3/8" OPHMS Faceplate Screws	X
5	1	991338	RCM 3 Wire RX Cable	
6	1	991339	RCM 2 Wire Solenoid Cable	
7	1	112018	Chexit Wiring Assembly	
8	1	991336	CX-RCM Cable Assy - 5 Wire	
9	1	090036	Cover Plate Anti-rattle Spring (Pkg of 10)	
10	1	970513	LED Cover Mask - Chexit	
11	1	970519	LED Cover - Chexit	
12	1	113781	Sign 15 Second - Chexit	
13	1	113782	Sign 30 Second - Chexit	

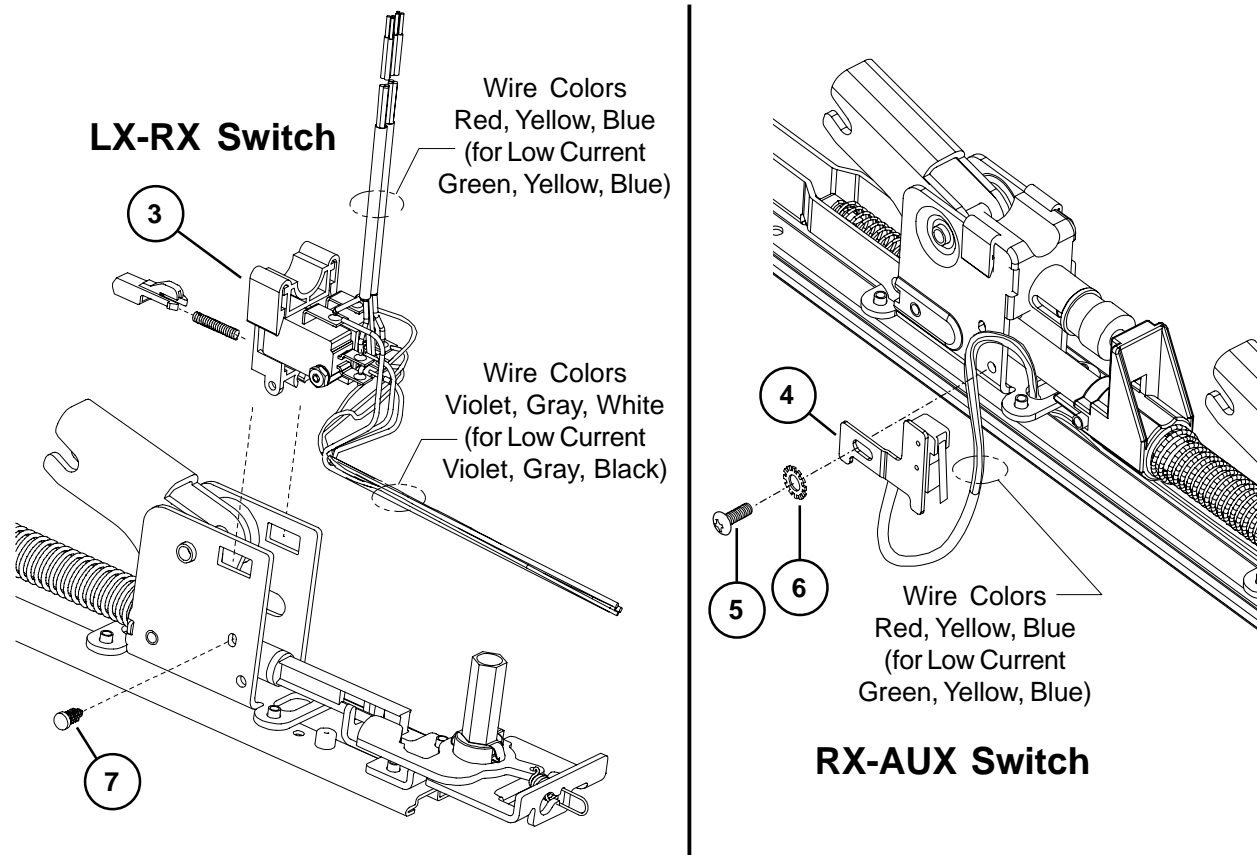
***Over 15 seconds delay requires a letter of approval from authority having local jurisdiction.
Fax letter in with sales order. The order cannot be processed without the letter.**





33A/35A SERIES LX (LATCH BOLT MONITOR) & RX (REQUEST TO EXIT) OPTIONS

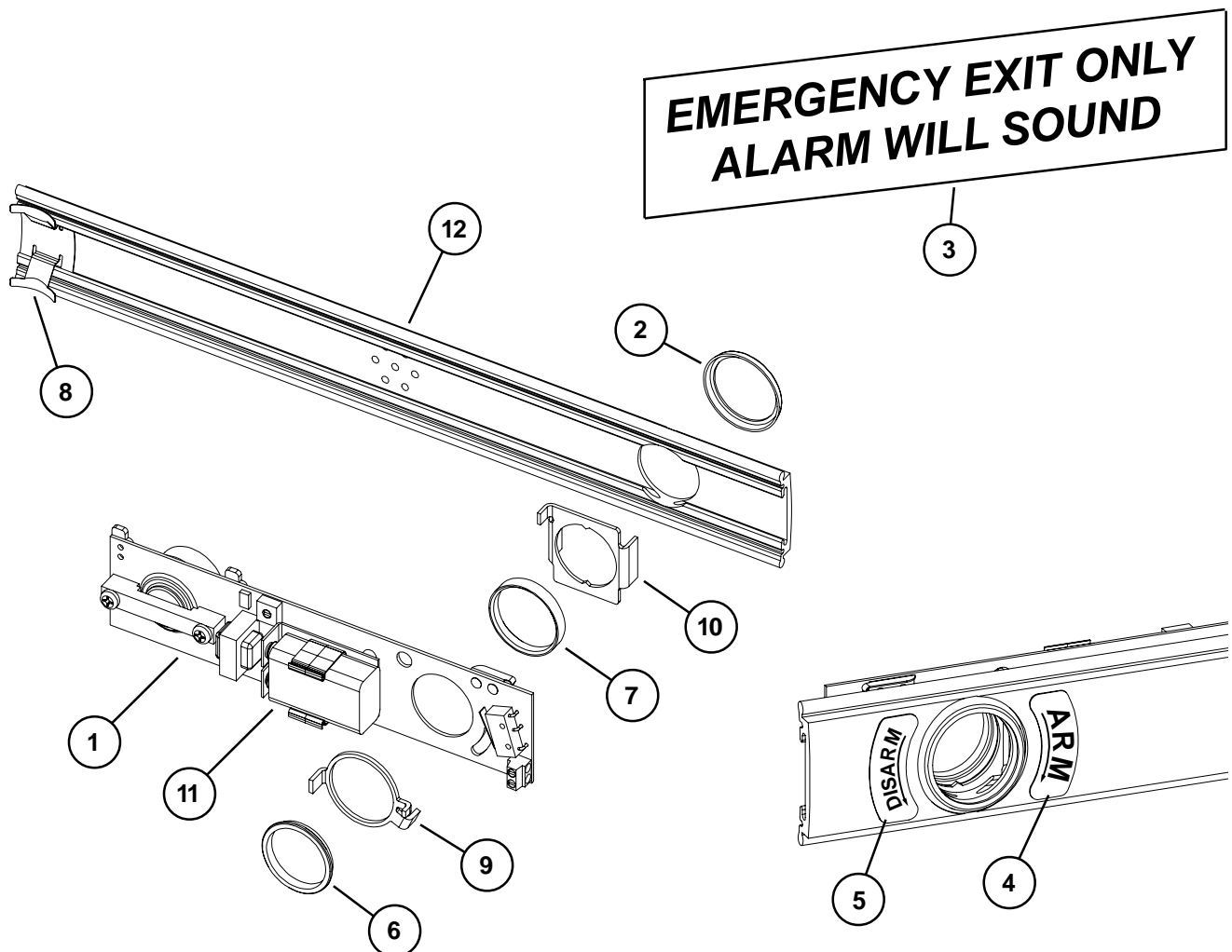
Item No.	Quantity	Part No.	Description	Finish
1	1	050254	LX Switch Kit 3' Device	
1	1	050255	LX Switch Kit 4' Device	
1	1	050247	LX-EL Switch Kit	
1	1	050283	LX-LC (Low Current) Switch Kit 3' Device	
1	1	050285	LX-LC (Low Current) Switch Kit 4' Device	
1	1	050287	LX-LC-EL (Low Current) Switch Kit	
2	1	050251	RX Switch Kit	
2	1	050281	RX-LC (Low Current) Switch Kit	
3	1	050256	LX-RX Switch Kit 3' Device	
3	1	050257	LX-RX Switch Kit 4' Device	
3	1	050259	LX-RX-EL Switch Kit	
3	1	050289	LX-RX-LC (Low Current) Sw. Kit 3' Device	
3	1	050291	LX-RX-LC (Low Current) Sw. Kit 4' Device	
3	1	050293	LX-RX-LC-EL (Low Current) Switch Kit	
2 & 4	1	050270	RX-2 Switch Kit	
4	1	050271	RX-AUX Switch Kit	
5	1	964558	8-32 x 5/16" PPHMS	
6	1	964019	#8 Washer	
7	1	090099	Pine Tree Clip (Pkg of 10)	
8	1	971091	LX Actuator	



33A/35A ALK EXIT ALARM KIT

Item No.	Quantity	Part No.	Description	Finish
1	1	111795	ALK PCB Assembly	
2	1	050525	Cylinder Collar	X
3	1	969122	ALK Alarm Device Sign	
4	1	969349	ALK Arming Label	
5	1	969350	ALK Disarming Label	
6	1	969354	Retainer Nut	
7	1	970594	ALK Cylinder Spacer	
8	1	090036	Cover Plate Anti-rattle spring (Pkg of 10)	
9	1	971556	ALK Switch Actuator	
10	1	971557	ALK Cylinder Bracket	
11	1	990637	ALK Battery	
12	1	050406	33A Series ALK Cover Plate Kit	X
12	1	050407	35A Series ALK Cover Plate Kit	X

X in "Finish" column designates finished items; finish must be specified when ordering.

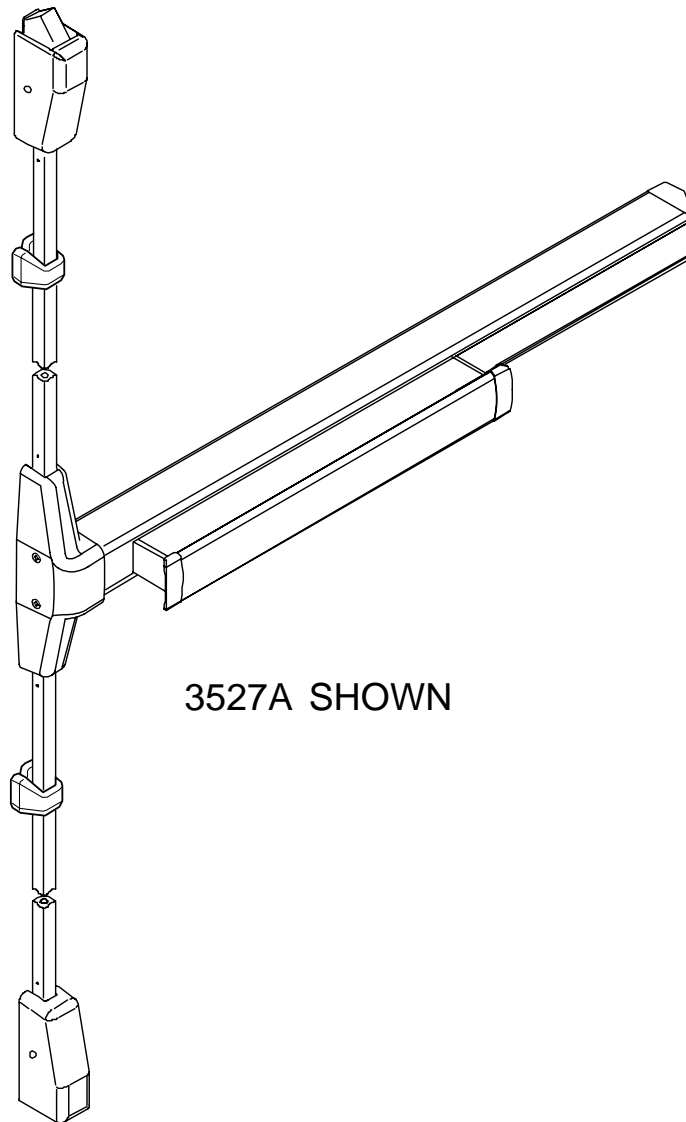


VON DUPRIN®

PARTS MANUAL

JUNE 2005

3327A/3527A SERIES EXIT DEVICES



3527A SHOWN

PM3327A3527A_b
VD-4050

IR Security & Safety
Proven Source. Proven Solutions.™

Copyright © 2005 Ingersoll-Rand. All rights reserved.

INDEX

3327A/3527A Fire and Panic Devices	
Basic Device	4-5
Vertical Rods and Latches	6-7
LBR Fire Latch Kit	8
Baseplate Assembly	9
Variations of the Basic Device	
CD (Cylinder Dogging)	4-5
HD-EL (Hex Dogging/Electric Latch Retraction)	10
EL (Electric Latch Retraction)	11
SS (Signal Switch)	11
RX (Request to Exit)	12-13
LX (Latch Bolt Monitoring)	12-13
ALK Exit Alarm Kit	14-15
General Information	
Introduction	2
How to Order	2
Part Number Changes	2
Finishes	3
Outside Trim Functions	3
Strikes	3

INTRODUCTION

This manual contains a listing of replaceable parts and assemblies for the 3327A/3527A Panic Exit Hardware Devices. (3327A Series and 3527A Series devices are almost identical. The 3327A Series has a grooved case; the 3527A Series has a smooth case.)

HOW TO ORDER

Some parts are sold separately. Other items are available as part of a kit or multiple quantity package. For the best possible service when ordering replacement parts or assemblies, please provide the following information:

- Part number or assembly number
- Description
- Quantity needed
- Finish desired (if available finished)
- Date of original purchase (if known)

To find out the name of your local Von Duprin distributor or sales representative, contact:

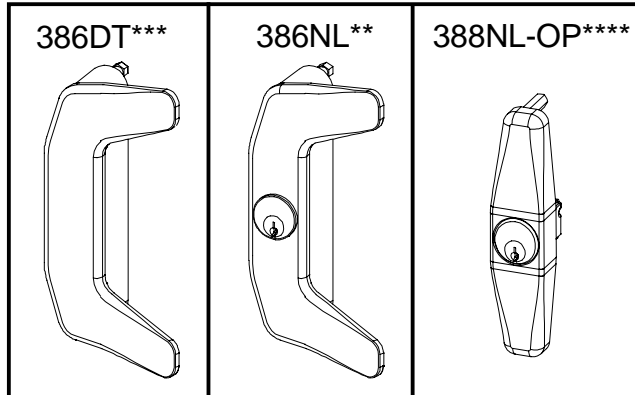
Von Duprin Division
Ingersoll-Rand Company
2720 Tobey Drive
Indianapolis, Indiana 46219
Phone: (800) 999-0408
Fax: (800) 999-0328
Website: www.vonduprin.com

PART NUMBER CHANGES

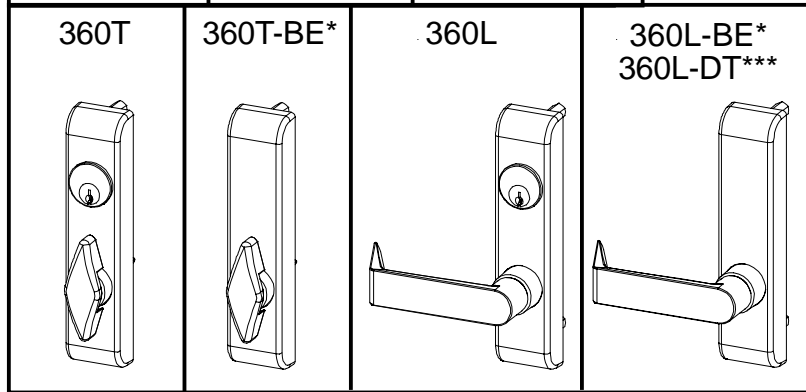
This manual reflects the product as sold in June 2005. Because of changes to the product and/or manufacturing process, part numbers can change.

OUTSIDE TRIM FUNCTIONS

33A/35A SERIES FINISHES



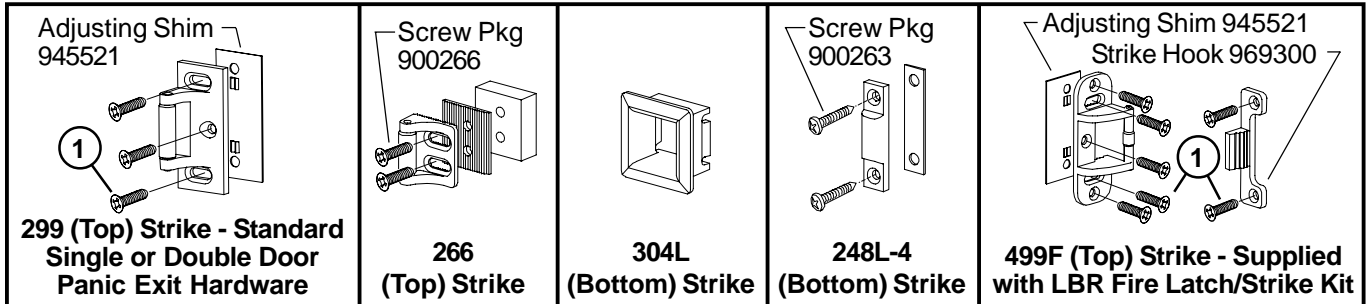
U.S. Std Reference	BHMA Reference	Description
US3	605	Polished Brass
US4	606	Dull Brass
US10	612	Dull Bronze
US15	619	Satin Nickel
US26	625	Polished Chrome
US26D	626	Dull Chrome
US28	628	Anodized Alum. (Clear)
313AN	710	Anodized Alum. (313) Dark Bronze
315AN	711	Anodized Alum. (Black)



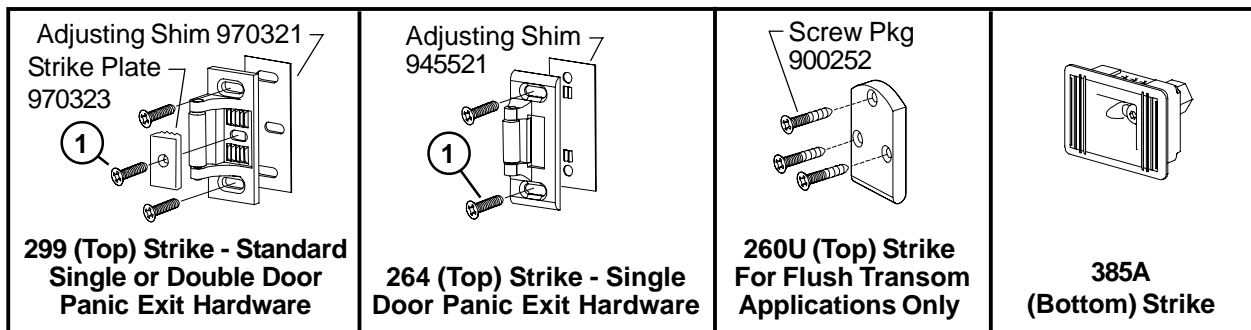
- * "BE" (Blank Escutcheon) no cylinder used - lever always active
- ** "NL" (Night Latch) rigid lever - key retracts latch bolt
- *** "DT" (Dummy Trim) rigid lever for pull operation
- **** "NL-OP" (Optional Pull) needs to be added

STANDARD STRIKES

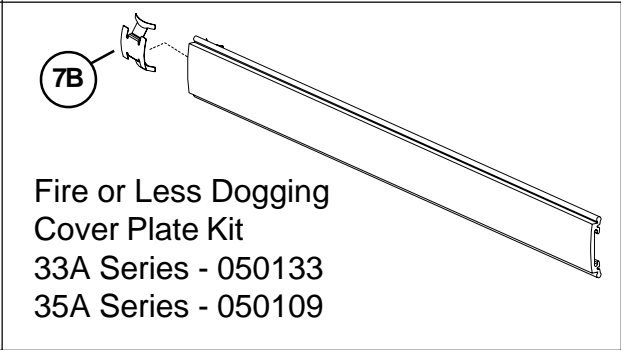
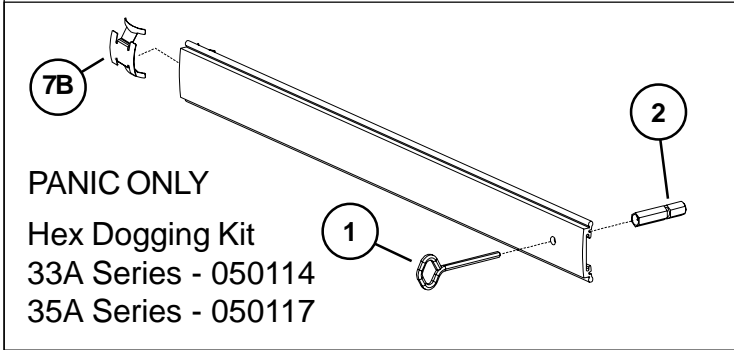
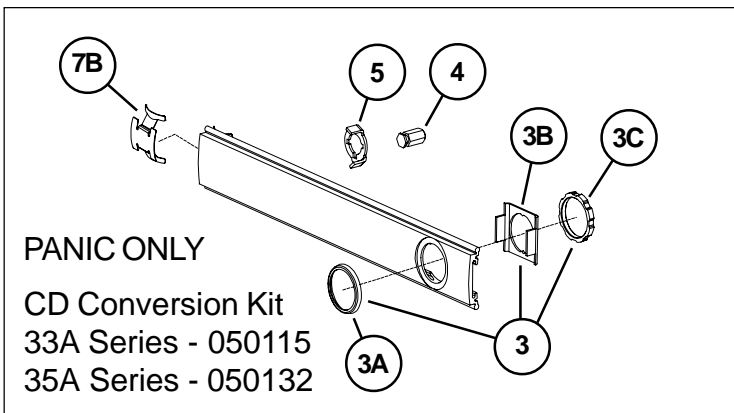
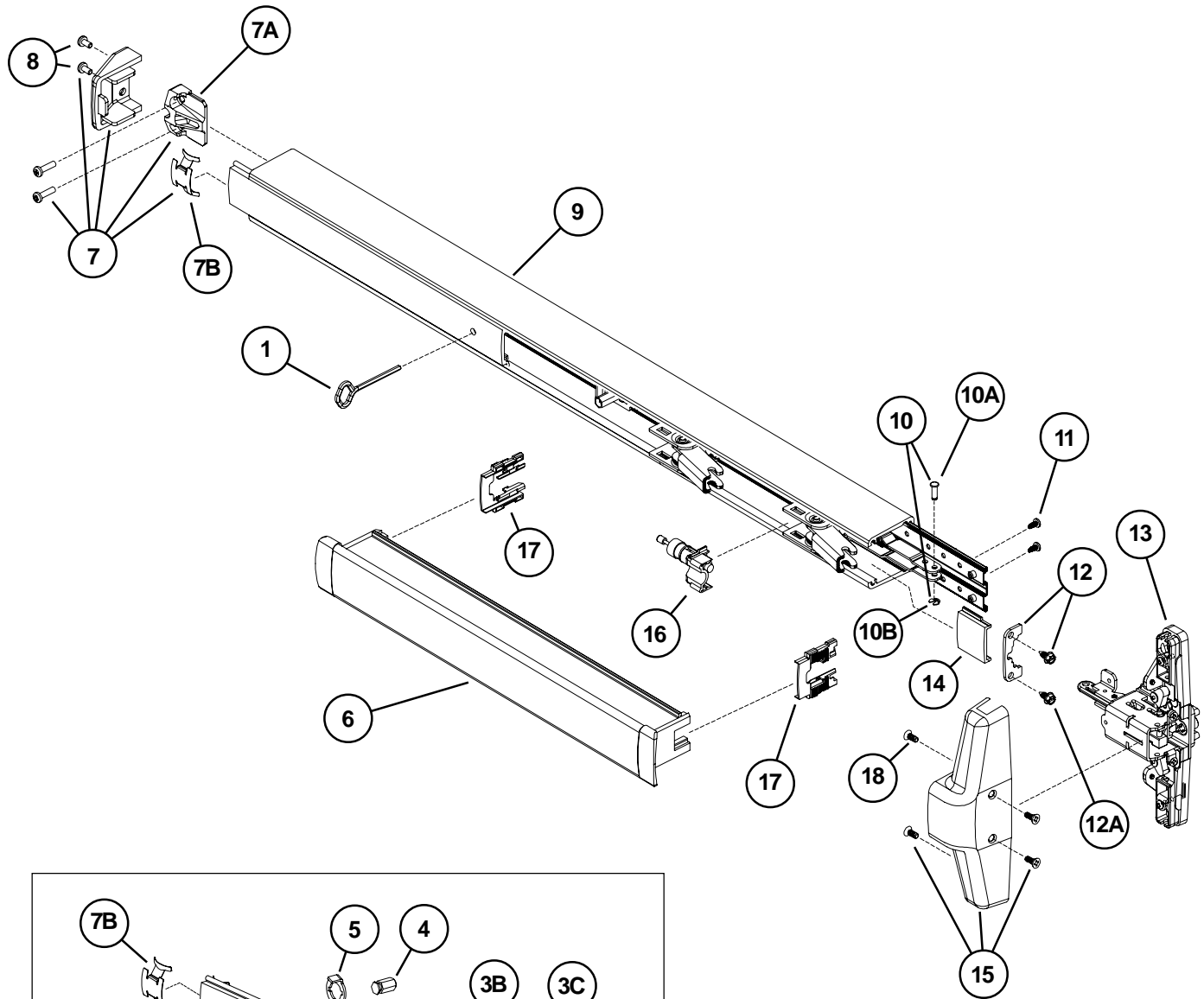
- ① Metal Door Screw Package PKGSRV.1023 (Pkg of 10)
- Wood Door Screw 964291 (Qty of 1)



OPTIONAL STRIKES FOR PANIC EXIT HARDWARE



3327A/3527A PANIC AND 3327A-F/3527A-F FIRE EXIT DEVICE



3327A/3527A PANIC AND 3327A-F/3527A-F FIRE EXIT DEVICE

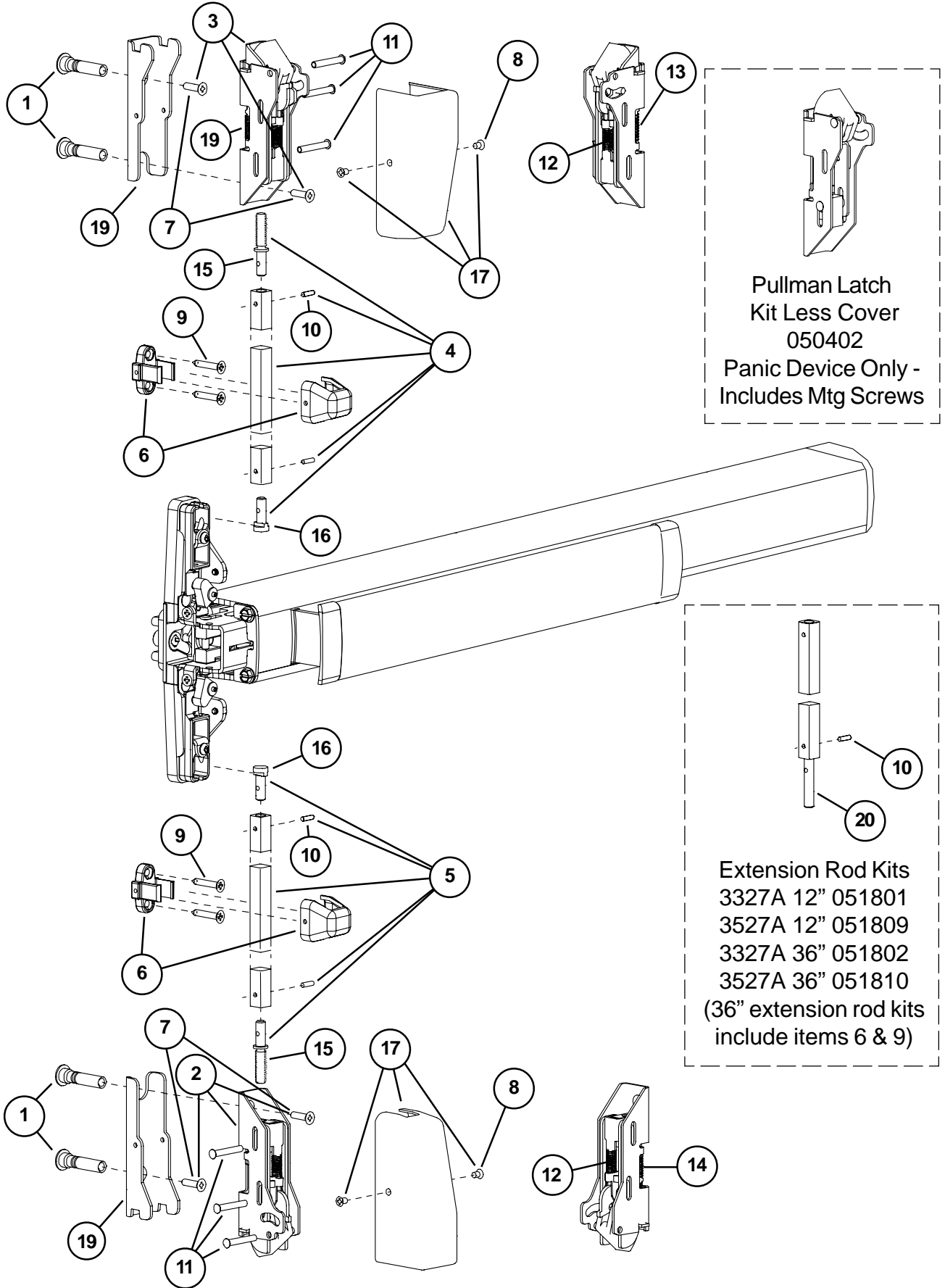
Item No.	Quantity	Part No.	Description	Finish
	1	900619	33A/35A Series Mounting Pkg. (1-3/4 & 2-1/4)	
1	1	090085	227 Dog Key 5/32" Hex (Pkg of 10)	
1	1	090005	227 Dog Key 5/32" Hex (Pkg of 2)	
2	1	090040	Hex Dog Shaft (Pkg of 2)	
3	1	107813	Cylinder Mounting Pkg	X
3A	1	050525	Cylinder Collar	X
3B	1	050490	Cylinder Locating Washer - CD/SS	
3C	1	050526	Cylinder Locknut	
4	1	090046	CD Dogging Plug (Pkg of 2)	
5	1	090045	CD Actuator Arm (Pkg of 2)	
6	1	*PBKIT	33A/35A Series Push Bar Retrofit Kit - 3' Door	X
6	1	*PBKIT	33A/35A Series Push Bar Retrofit Kit - 4' Door	X
7	1	050014	33A/35A Series Series End Cap Kit	X
7A	1	050524	Impact Resistant End Cap Bracket	
7B	1	090036	Cover Plate Anti-rattle Spring (Pkg of 10)	
8	1	900597	Device End Cap and C/Case Screw Pkg.	X
9	1	050486	33A Series Mechanism Case - 3' Door	X
9	1	050487	33A Series Mechanism Case - 4' Door	X
9	1	050488	35A Series Mechanism Case - 3' Door	X
9	1	050489	35A Series Mechanism Case - 4' Door	X
10	1	050529	Control Link Pin & Ret. Ring	
10A	1	090031	Control Link Pin (Pkg of 10)	
10B	1	090107	Retaining Ring (Pkg of 10)	
11	2	090037	#8-32 x 3/8" Baseplate Screw (Pkg of 10)	
12	1	050530	Mechanism Case Bracket Kit	
12A	2	090073	Mechanism Case Bracket Screw (Pkg of 10)	
13**	1	050404	3327A/3527A Center Case Less Cover	
14	1	050474	33A Series Cover Plate - C. Case Side	X
14	1	050475	35A Series Cover Plate - C. Case Side	X
15	1	050484	3327A/3527A Center Case Cover Kit	X
16	1	050491	Shock Absorber & Holder Assembly	
17	2	090049	Push Bar Guide (Pkg of 10)	
18	4	900892	Center Case Cover Screws (Pkg of 4)	X

X in "Finish" column designates finished items; finish must be specified when ordering.

* To order, specify device type, size, and finish. Example: PBKIT 33A 3' US28

** Device mounting screws 900619 included.

3327A/3527A VERTICAL RODS AND LATCHES



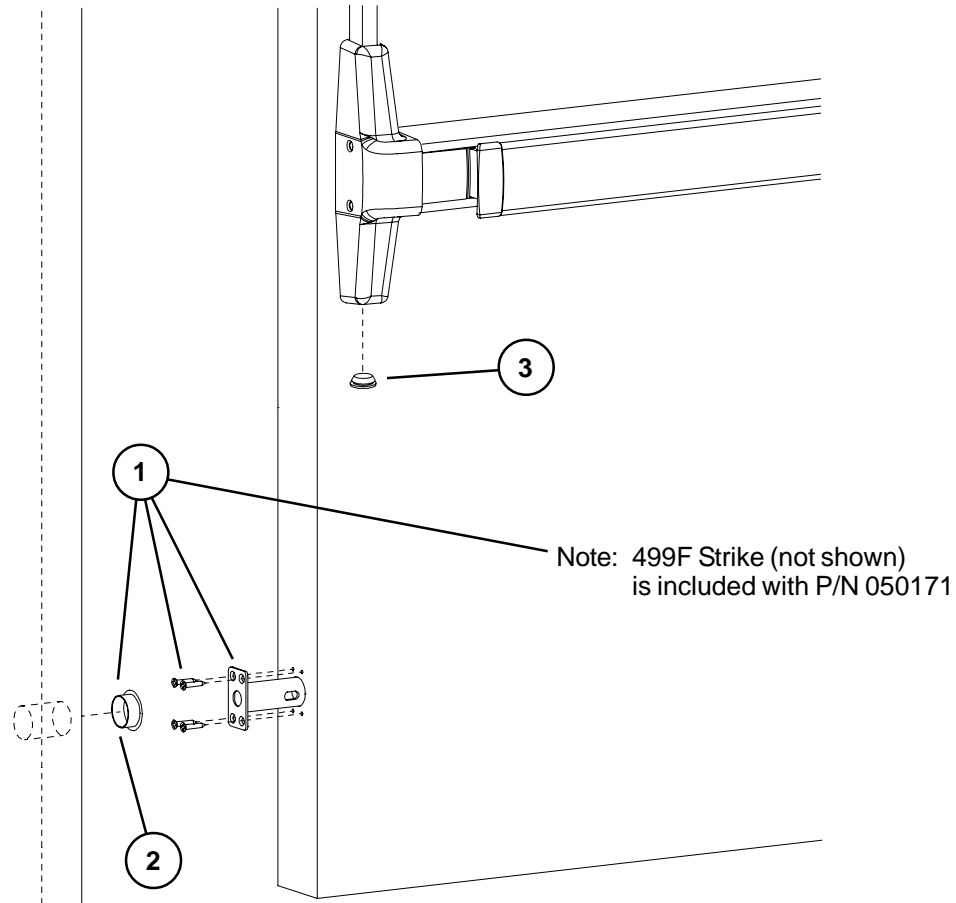
3327A/3527A VERTICAL RODS AND LATCHES

Item No.	Quantity	Part No.	Description	Finish
1	2	034902	325 Sex Bolt Package (Pkg of 2)	X
2	1	050401	33/3527A Bottom Latch Kit Less Cover	
3	1	050400	33/3527A Top Latch Kit Less Cover	
4	1	050512	3327A Top Rod Kit	X
4	1	050513	3527A Top Rod Kit	X
5	1	050514	3327A Bottom Rod Kit	X
5	1	050515	3527A Bottom Rod Kit	X
6	2	105952	33/3527A Rod Guide Pkg	X
7	1	900589	Latch Mounting Package (Pkg of 4)	
8	2	900850	Latch Case Cover Screw (Pkg of 2)	X
9	2	900565	Rod Guide Mounting Package	
10	4	090054	Rod Roll Pin (Pkg of 10)	
11	6	090055	Housing Guide Pin (Pkg of 10)	
12	2	090065	Bolt Return Spring (Pkg of 10)	
13	1	090056	Top Latch Compression Spring (Pkg of 10)	
13	1	090057	PL Top Latch Spring (Pkg of 10)	
14	1	090058	Bottom Latch Case Spring (Pkg of 10)	
15	2	090067	Rod Connector - Latch (Pkg of 2)	
16	2	090068	Rod Connector - Center Case (Pkg of 2)	
17	2	050496	Latch Case Cover Kit w/Screws	X
18	1	090076	Aux. Bolt Spring (Pkg of 10)	
19	2	050546	Latch Case Mtg. Bracket	
20	1	090075	Rod Extension Connector (Pkg of 4)	

X in "Finish" column designates finished items; finish must be specified when ordering.

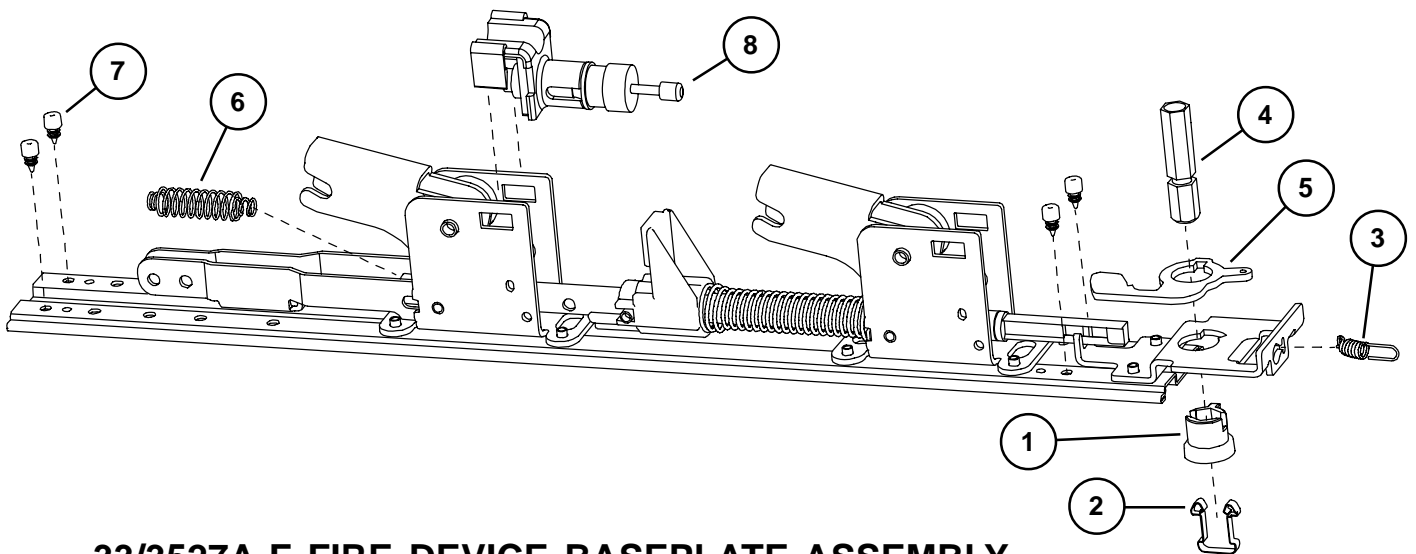
33/3527A-F LBR (LESS BOTTOM ROD) FIRE LATCH KIT

Item No.	Quantity	Part No.	Description	Finish
1	1	050171	LBR Fire Latch/Strike kit	
2	1	050509	LBR Fire Strike Plug	
3	1	113334	LBR Center Case Hole Plug	



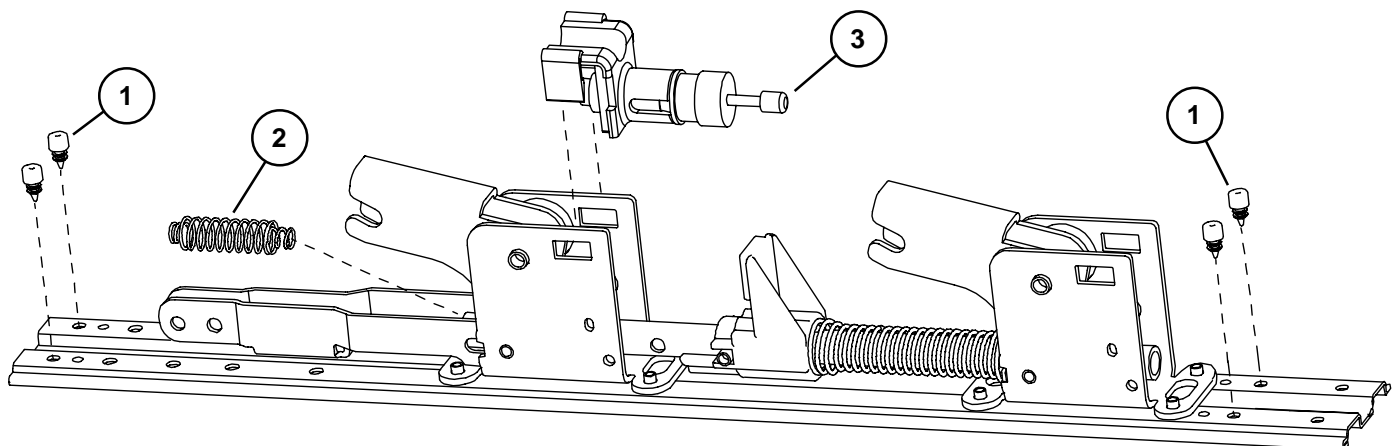
3327A/3527A PANIC DEVICE BASEPLATE ASSEMBLY

Item No.	Quantity	Part No.	Description	Finish
1	1	090043	Dogging adapter (Pkg of 2)	
2	1	090042	Dogging adapter spring (Pkg of 2)	
3	1	090041	Dogging spring (Pkg of 2)	
4	1	090040	Hex dogging shaft (Pkg of 2)	
5	1	090044	Dogging hook (Pkg of 2)	
6	1	090039	Latch return spring (Pkg of 10)	
7	4	090038	Rubber bumper (Pkg of 4)	
8	1	050491	Shock absorber	



33/3527A-F FIRE DEVICE BASEPLATE ASSEMBLY

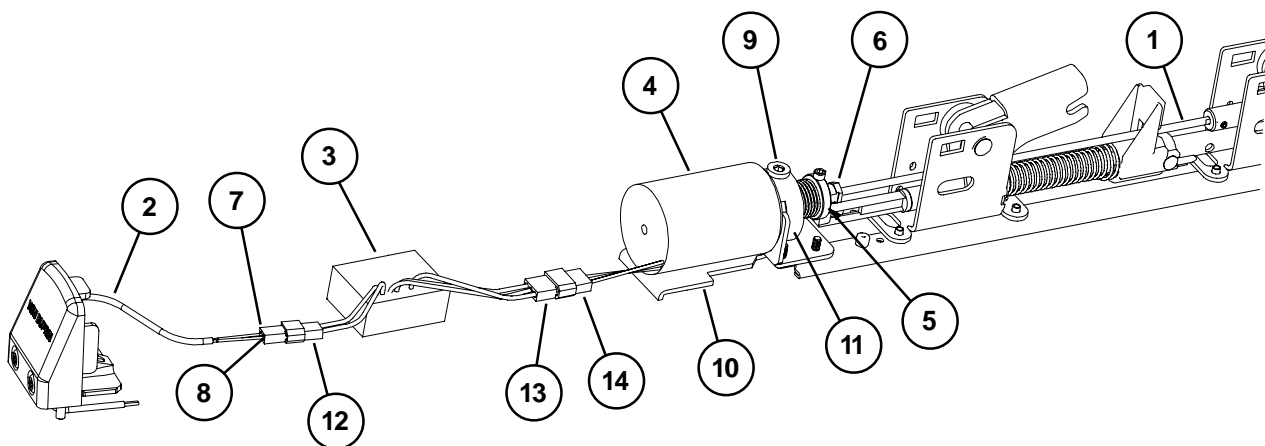
Item No.	Quantity	Part No.	Description	Finish
1	4	090038	Rubber bumper (Pkg of 4)	
2	1	090039	Latch return spring (Pkg of 10)	
3	1	050491	Shock absorber	



HD-EL3327A/HD-EL3527A HEX DOGGING/ELECTRIC LATCH RETRACTION OPTION - PANIC DEVICE ONLY

Item No.	Quantity	Part No.	Description	Finish
1	1	050531	EL Dogging Rod Kit - 3' Device	
1	1	050532	EL Dogging Rod Kit - 4' Device	
2	1	110388	EL 6' Cable and Connector	
3	1	050534	EL Potted Circuit Breaker	
4	1	050536	HD-EL Solenoid	
5	1	050537	HD-EL Solenoid Plunger	
6	1	050538	EL Dogging Rod Retainer	
7	1	050539	EL Receptacle Connector - 2 Position	
8	2	050540	EL Female Terminal	
9	1	050541	HD-EL Dog Screw	
10	1	050542	HD-EL Solenoid Bracket	
11	1	050543	HD-EL Dogging Spring	
12	1	990599	EL Plug Connector - 2 Position	
13	1	990857	EL Receptacle Connector - 3 Position	
14	1	990858	EL Plug Connector - 3 Position	
*	1	050384	HD-EL Conversion Kit - 3'	
*	1	050385	HD-EL Conversion Kit - 4'	

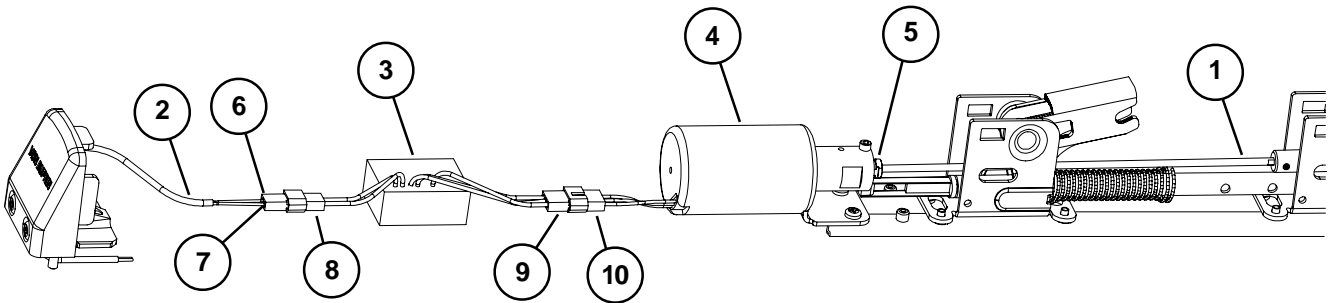
*Kit includes items 1-11 plus new control link, retaining ring, and baseplate screws.



EL3327A/EL3527A ELECTRIC LATCH RETRACTION OPTION

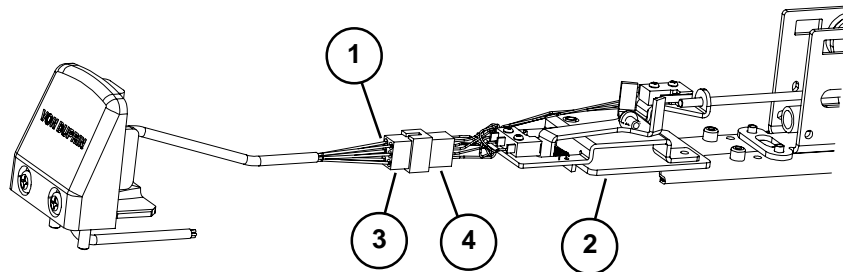
Item No.	Quantity	Part No.	Description	Finish
1	1	050531	EL Dogging Rod Kit - 3' device	
1	1	050532	EL Dogging Rod Kit - 4' device	
2	1	110388	EL 6' Cable and Connector	
3	1	050534	EL Potted Circuit Breaker	
4	1	050535	EL Solenoid Assembly	
5	1	050538	EL Dogging Rod Retainer	
6	1	050539	EL Receptacle Connector	
7	2	050540	EL Female Terminal	
8	1	990599	EL Plug Connector - 2 Position	
9	1	990857	EL Receptacle Connector - 3 Position	
10	1	990858	EL Plug Connector - 3 Position	
*	1	050070	EL Conversion Kit - 3'	
*	1	050078	EL Conversion Kit - 4'	

*Kit includes items 1-7 plus new control link pin, retaining ring, and baseplate screws.

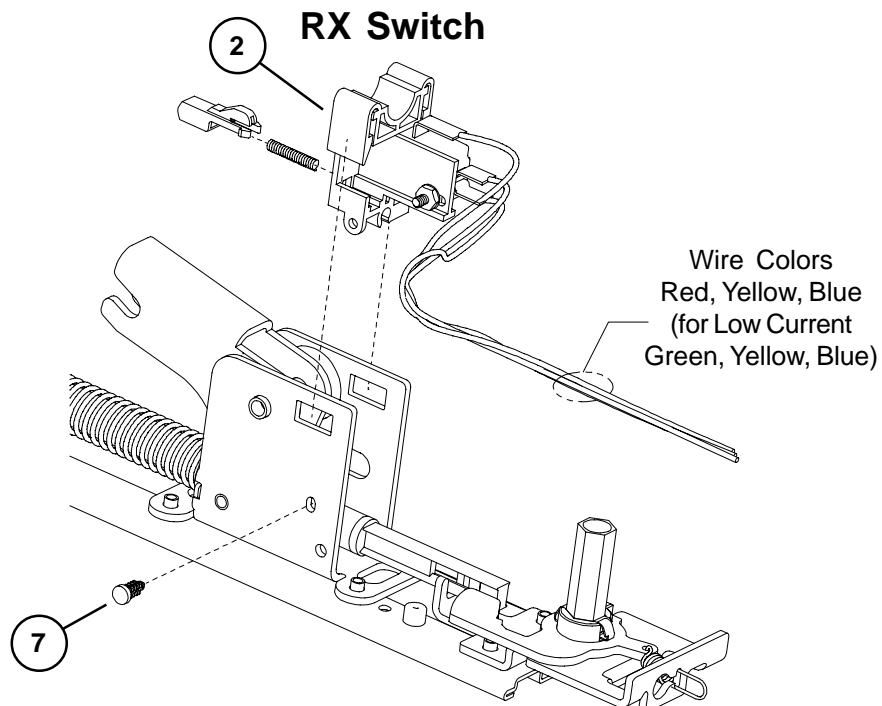
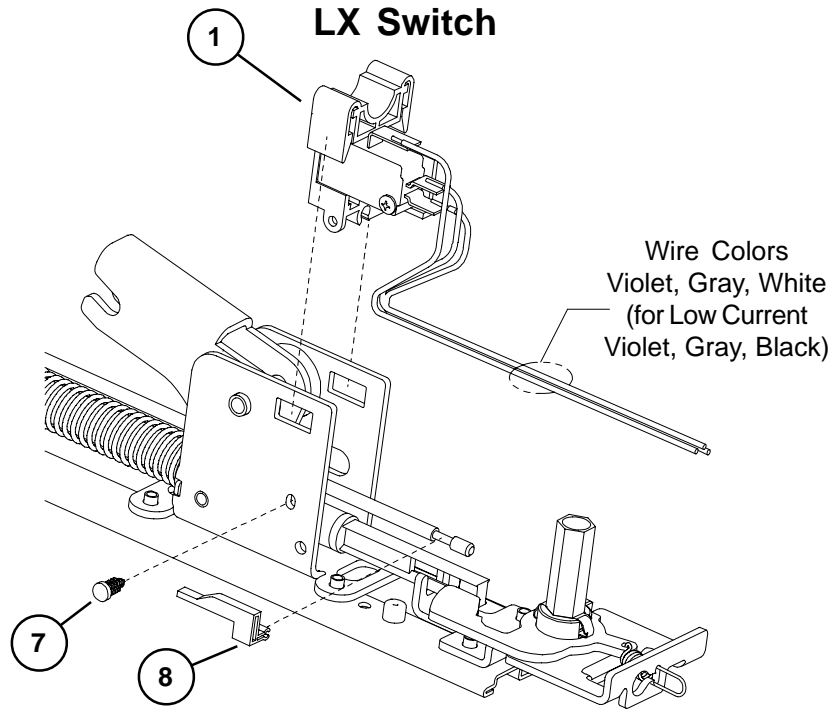


SS3327A/SS3527A (SIGNAL SWITCH) OPTION

Item No.	Quantity	Part No.	Description	Finish
1	1	050544	SS Cable	
2	1	050545	SS Housing	
3	1	990601	SS Plug Connector - 6 Position	
4	1	990602	SS Receptacle Connector - 6 Position	

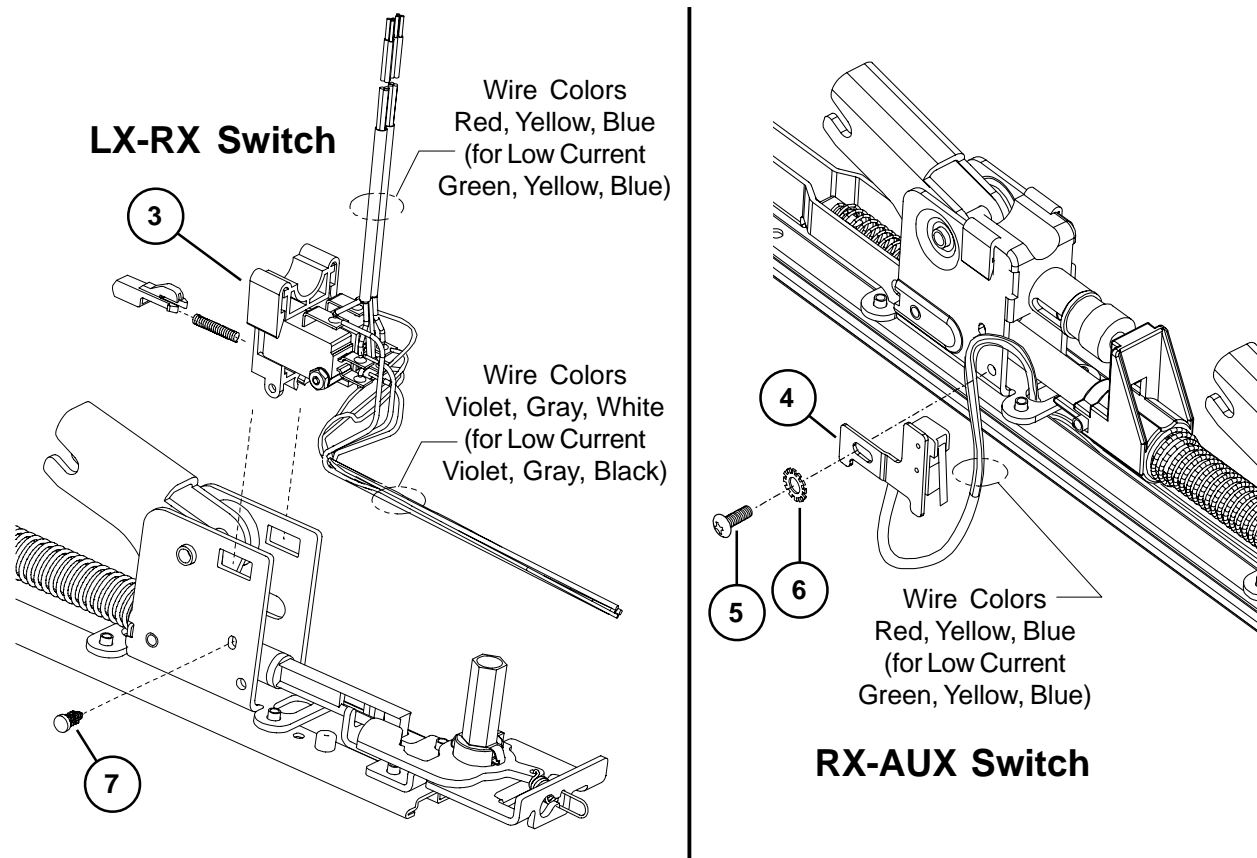


3327A/3527A LX (LATCH BOLT MONITOR) & RX (REQUEST TO EXIT) OPTIONS



3327A/3527A LX (LATCH BOLT MONITOR) & RX (REQUEST TO EXIT) OPTIONS

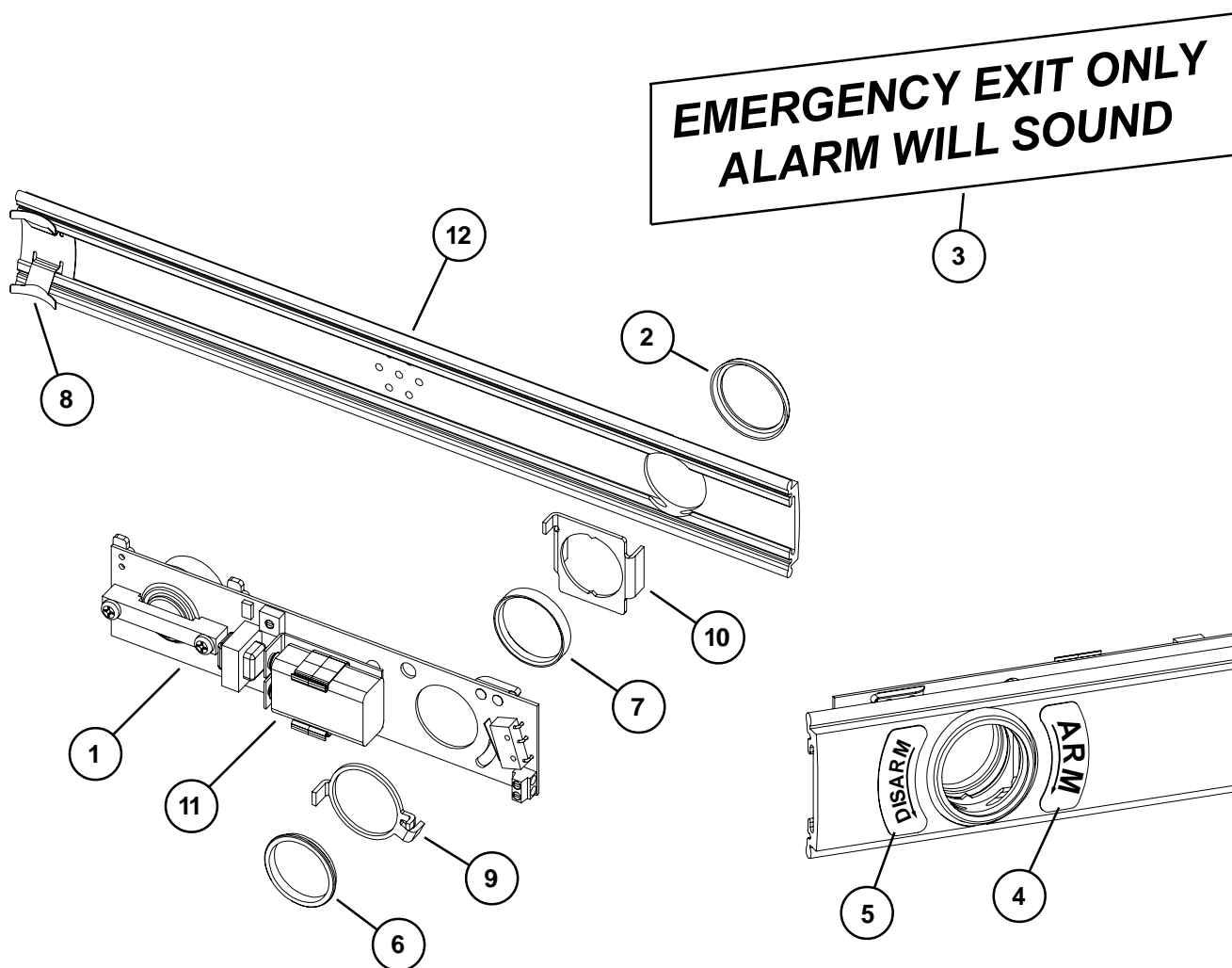
Item No.	Quantity	Part No.	Description	Finish
1	1	050254	LX Switch Kit 3' Device	
1	1	050255	LX Switch Kit 4' Device	
1	1	050247	LX-EL Switch Kit	
1	1	050283	LX-LC (Low Current) Switch Kit 3' Device	
1	1	050285	LX-LC (Low Current) Switch Kit 4' Device	
1	1	050287	LX-LC-EL (Low Current) Switch Kit	
2	1	050251	RX Switch Kit	
2	1	050281	RX-LC (Low Current) Switch Kit	
3	1	050256	LX-RX Switch Kit 3' Device	
3	1	050257	LX-RX Switch Kit 4' Device	
3	1	050259	LX-RX-EL Switch Kit	
3	1	050289	LX-RX-LC (Low Current) Sw. Kit 3' Device	
3	1	050291	LX-RX-LC (Low Current) Sw. Kit 4' Device	
3	1	050293	LX-RX-LC-EL (Low Current) Switch Kit	
2 & 4	1	050270	RX-2 Switch Kit	
4	1	050271	RX-AUX Switch Kit	
5	1	964558	8-32 x 5/16" PPHMS	
6	1	964019	#8 Washer	
7	1	090099	Pine Tree Clip (Pkg of 10)	
8	1	971091	LX Actuator	



33A/35A ALK EXIT ALARM KIT

Item No.	Quantity	Part No.	Description	Finish
1	1	111795	ALK PCB Assembly	
2	1	050525	Cylinder Collar	X
3	1	969122	ALK Alarm Device Sign	
4	1	969349	ALK Arming Label	
5	1	969350	ALK Disarming Label	
6	1	969354	Retainer Nut	
7	1	970594	ALK Cylinder Spacer	
8	1	090036	Cover Plate Anti-rattle spring (Pkg of 10)	
9	1	971556	ALK Switch Actuator	
10	1	971557	ALK Cylinder Bracket	
11	1	990637	ALK Battery	
12	1	050406	33A Series ALK Cover Plate Kit	X
12	1	050407	35A Series ALK Cover Plate Kit	X

X in "Finish" column designates finished items; finish must be specified when ordering.

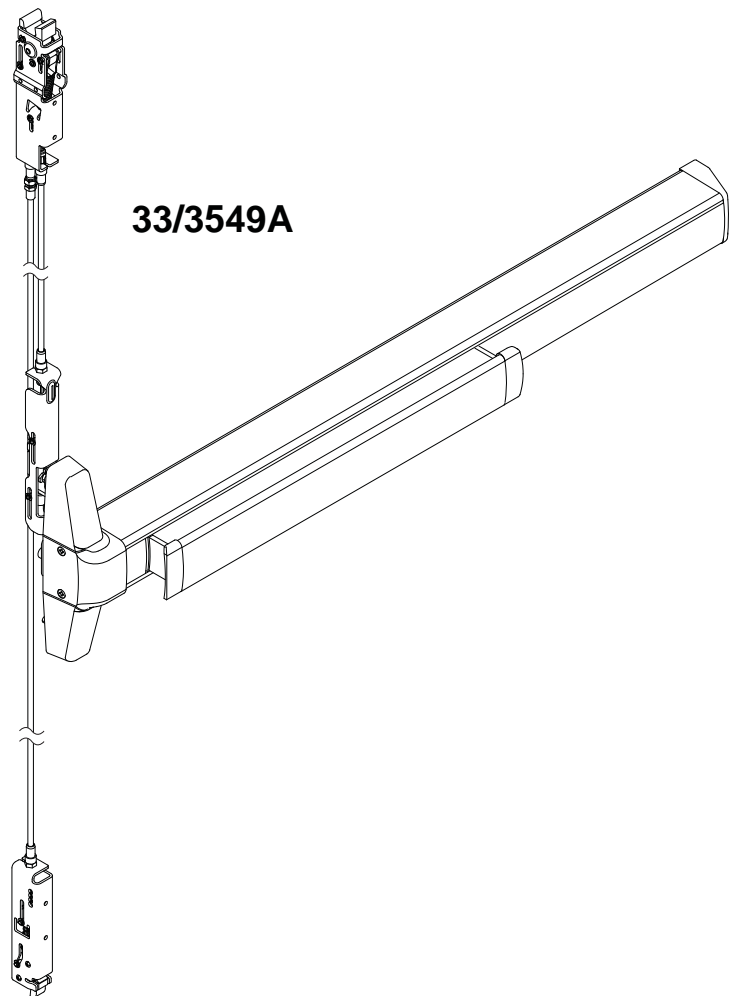
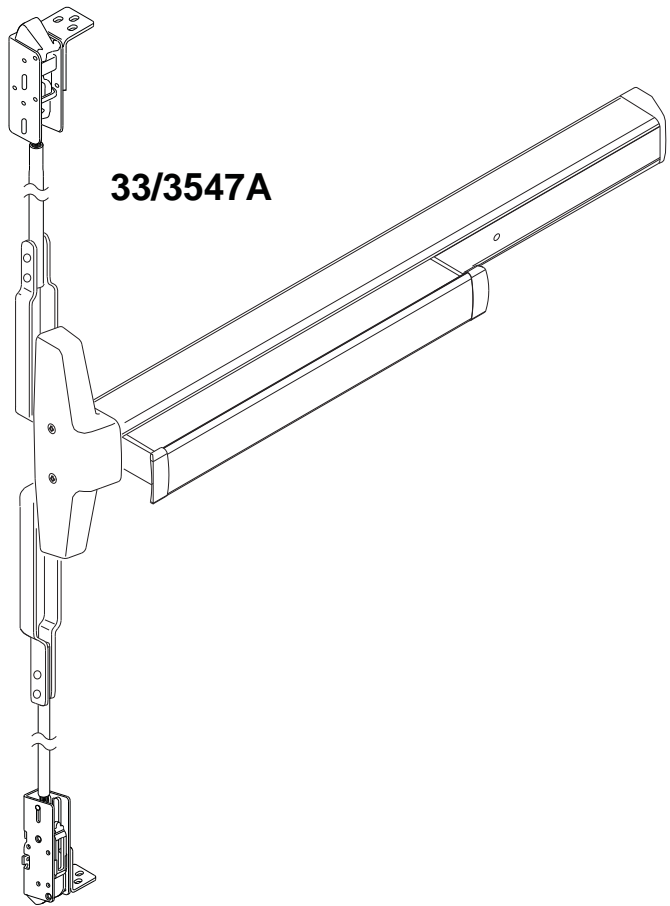


VON DUPRIN®

PARTS MANUAL

JUNE 2012

33/3547A & 33/3549A SERIES EXIT DEVICES



INDEX

33/3547A & 33/3549A Devices	
Basic Device	4-5
Panic Concealed Vertical Rods and Latches	6-7
Fire Concealed Vertical Rods and Latches	8-9
Panic and Fire Aluminum and Metal Door Concealed Vertical Cables and Latches	10-11
Cable Assemblies	12
LBR (Less Bottom Rod) / LBL (Less Bottom Latch) Fire Latch Kit	13
Baseplate Assembly	14
Variations of the Basic Device	
CD (Cylinder Dogging)	4-5
HD-EL (Hex Dogging/Electric Latch Retraction)	15
EL (Electric Latch Retraction)	16
SS (Signal Switch)	16
RX (Request to Exit)	17-18
LX (Latch Bolt Monitoring)	17-18
ALK Exit Alarm Kit	19
General Information	
Introduction	2
How to Order	2
Part Number Changes	2
Finishes	3
Outside Trim Functions	3
Strikes	3

INTRODUCTION

This manual contains a listing of replaceable parts and assemblies for the 33/3547A Concealed Vertical Rod Exit Devices and the 33/3549A Concealed Vertical Cable Exit Devices. 33 Series and 35 Series devices are almost identical. The 33 Series has a grooved case; the 35 series has a smooth case.

HOW TO ORDER

Some parts are sold separately. Other items are available as part of a kit or multiple quantity package. For the best possible service when ordering replacement parts or assemblies, please provide the following information:

- Part number or assembly number
- Description
- Quantity Needed
- Finish desired (if available finished)
- Date of original purchase (if known)

To find out the name of your local Von Duprin distributor or sales representative, contact:

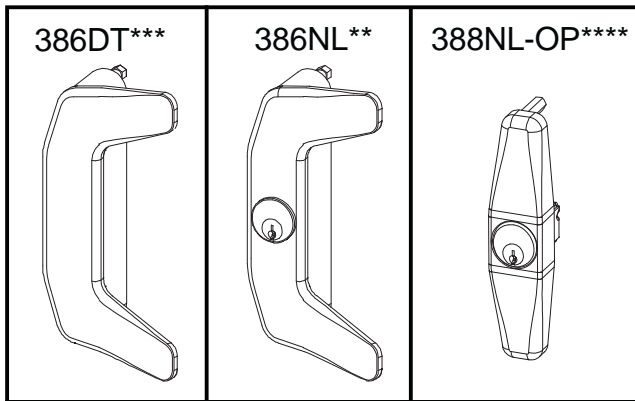
Von Duprin Division
Ingersoll Rand Company
2720 Tobey Drive
Indianapolis, IN 46219
Phone: 877-671-7011
Fax: 800-999-0328

PART NUMBER CHANGES

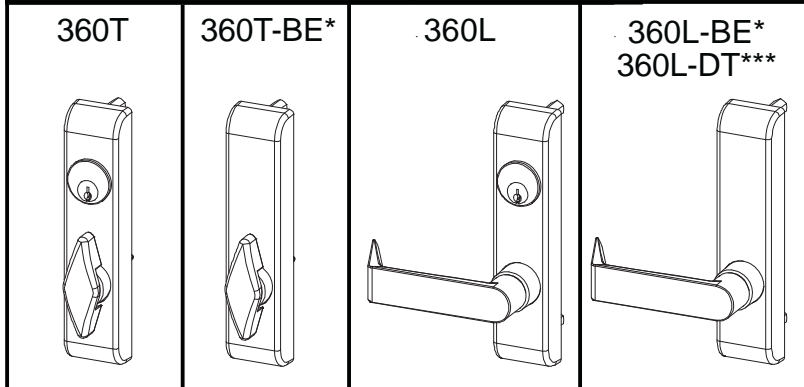
This manual reflects the product as sold in June 2012. Because of changes to the product and/or manufacturing process, part numbers can change.

OUTSIDE TRIM FUNCTIONS

33A/35A SERIES FINISHES

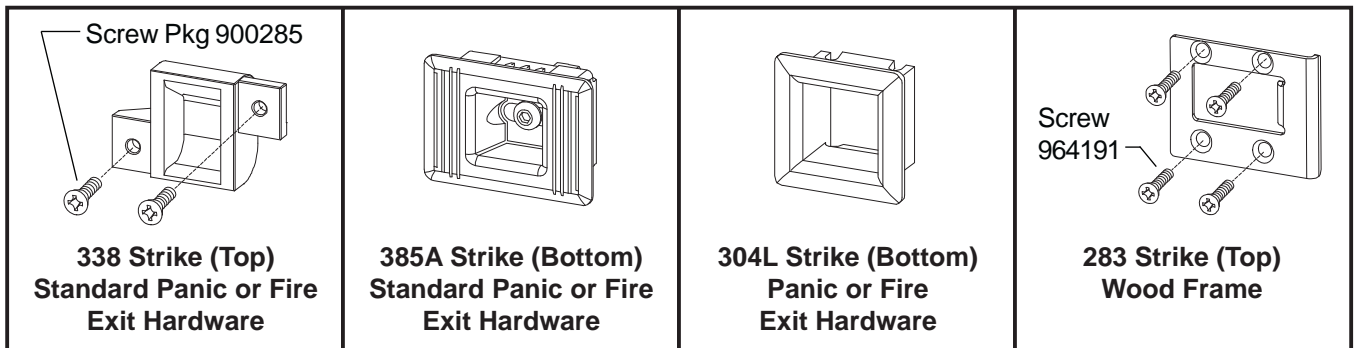


U.S. Std Reference	BHMA Reference	Description
US3	605	Polished Brass
US4	606	Dull Brass
US10	612	Dull Bronze
US15	619	Satin Nickel
US26	625	Polished Chrome
US26D	626	Dull Chrome
US28	628	Anodized Alum. (Clear)
313AN	710	Anodized Alum. (313) Dark Bronze
315AN	711	Anodized Alum. (Black)

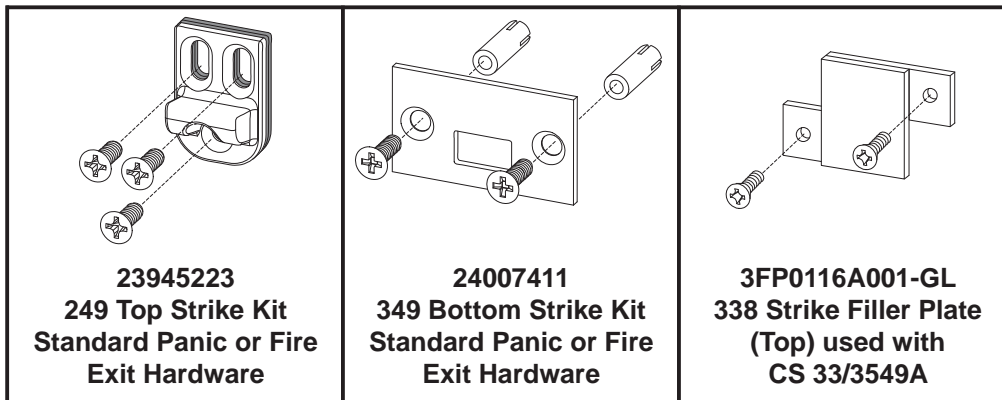


- * "BE" (Blank Escutcheon) no cylinder used - lever always active
- ** "NL" (Night Latch) rigid lever - key retracts latch bolt
- *** "DT" (Dummy Trim) rigid lever for pull operation
- **** "NL-OP" (Optional Pull) needs to be added

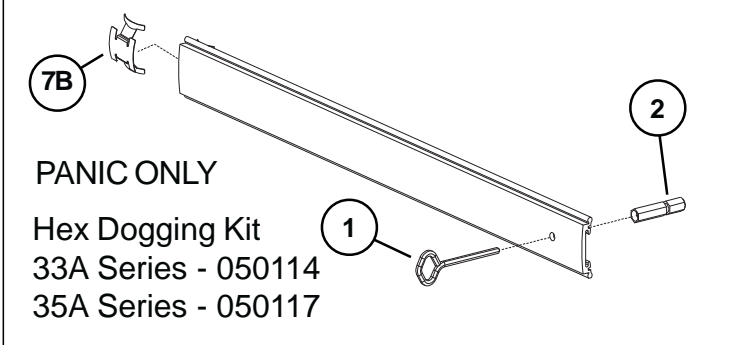
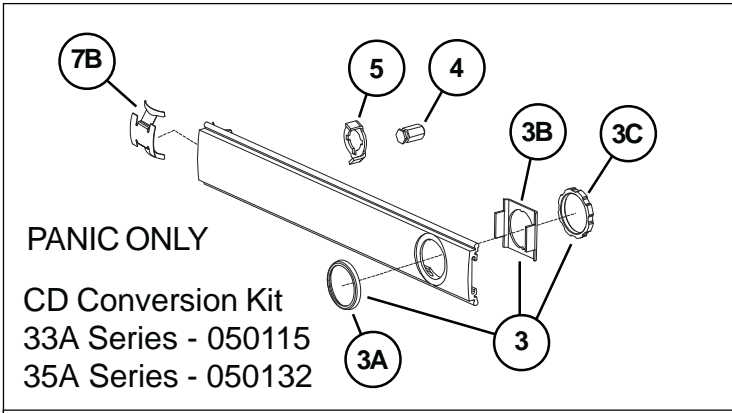
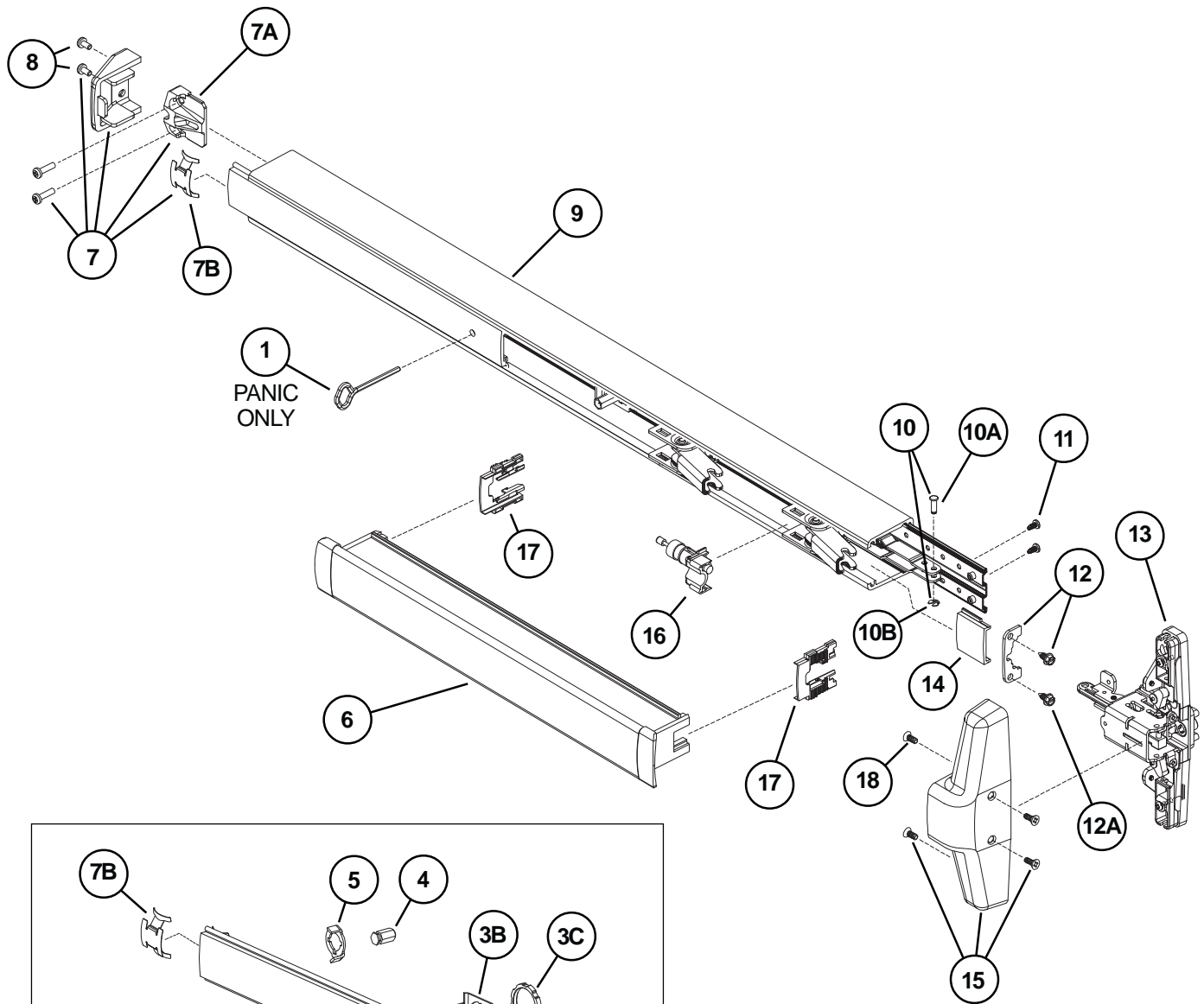
33/3547A STRIKES



33/3549A STRIKES



**33/3547A & 33/3549A PANIC DEVICE
33/3547A-F & 33/3549A-F FIRE DEVICE**



**33/3547A & 33/3549A PANIC DEVICE
33/3547A-F & 33/3549A-F FIRE DEVICE**

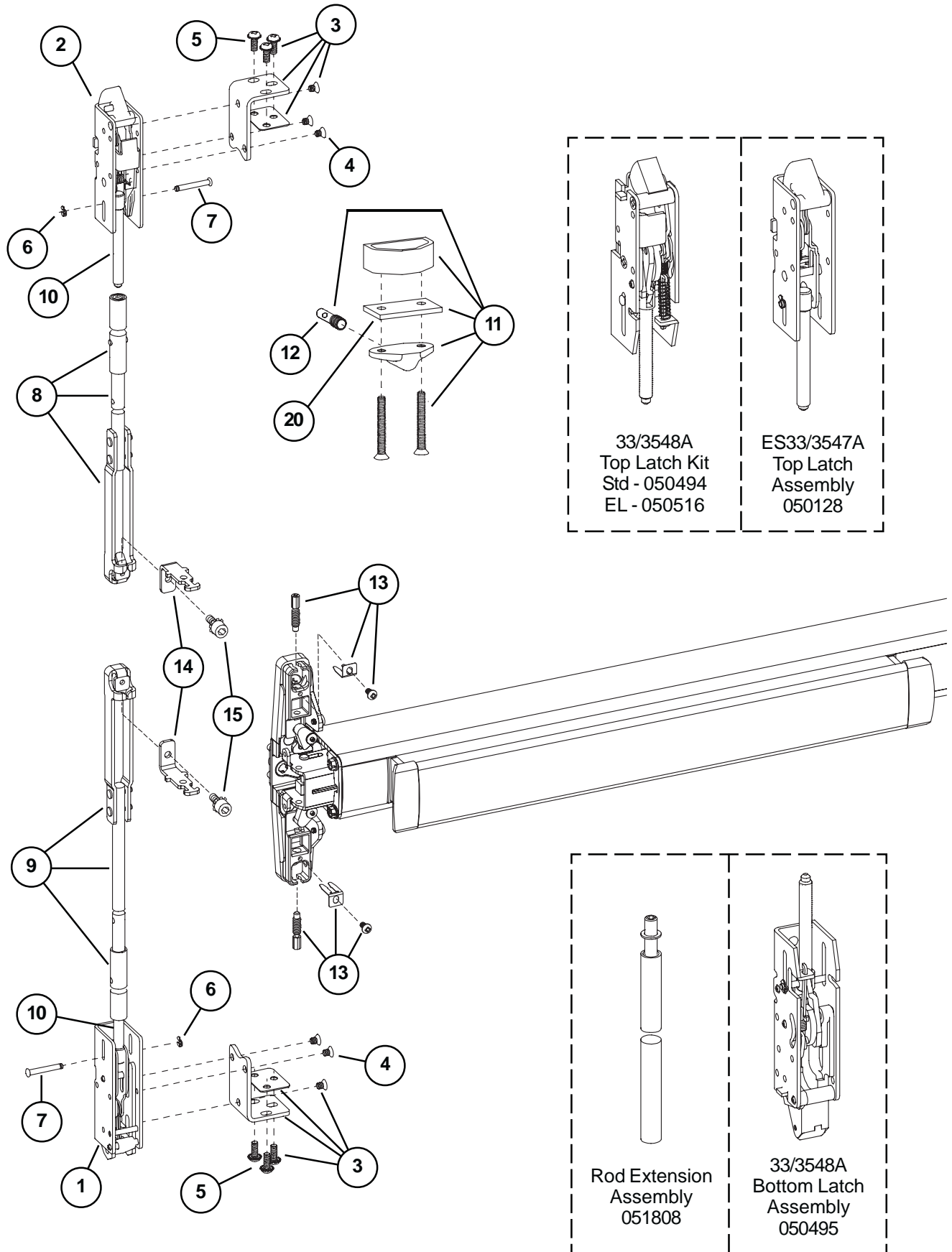
Item No.	Quantity	Part No.	Description	Finish
	1	900619	33A/35A Series Mounting Pkg. (1-3/4 & 2-1/4)	
1	1	090085	227 Dog Key 5/32" Hex (Pkg of 10)	
1	1	090005	227 Dog Key 5/32" Hex (Pkg of 2)	
2	1	090040	Hex Dog Shaft (Pkg of 2)	
3	1	107813	Cylinder Mounting Pkg	X
3A	1	050525	Cylinder Collar	X
3B	1	050490	Cylinder Locating Washer - CD/SS	
3C	1	050526	Cylinder Locknut	
4	1	090046	CD Dogging Plug (Pkg of 2)	
5	1	090045	CD Actuator Arm (Pkg of 2)	
6	1	*PBKIT	33A/35A Series Push Bar Retrofit Kit - 3' Door	X
6	1	*PBKIT	33A/35A Series Push Bar Retrofit Kit - 4' Door	X
7	1	050014	33A/35A Series End Cap Kit	X
7A	1	050524	Impact Resistant End Cap Bracket	
7B	1	090036	Cover Plate Anti-rattle Spring (Pkg of 10)	
8	1	900597	Device End Cap and C/Case Screw Pkg.	X
9	1	050486	33A Series Mechanism Case - 3' Door	X
9	1	050487	33A Series Mechanism Case - 4' Door	X
9	1	050488	35A Series Mechanism Case - 3' Door	X
9	1	050489	35A Series Mechanism Case - 4' Door	X
10	1	050529	33A/35A Series Control Link Pin & Ret. Ring	
10A	1	090031	Control Link Pin (Pkg of 10)	
10B	1	090107	Retaining Ring (Pkg of 10)	
11	2	090037	#8-32 x 3/8" Baseplate Screw (Pkg of 10)	
12	1	050530	Mechanism Case Bracket Kit	
12A	2	090073	Mechanism Case Bracket Screw (Pkg of 10)	
13**	1	050405	33/3547A & 33/3549A C/Case Less Cover	
14	1	050474	33A Series Cover Plate - Center Case Side	X
14	1	050475	35A Series Cover Plate - Center Case Side	X
15	1	050485	33/3547A & 33/3549A C/Case Cover Kit	X
16	1	050491	Shock Absorber & Holder Assembly	
17	2	090049	Push Bar Guide (Pkg of 10)	
18	4	900892	Center Case Cover Screws (Pkg of 4)	X

X in "Finish" column designates finished items; finish must be specified when ordering.

* To order, specify device type, size, and finish. Example PBKIT 33A 3' US28

** Device mounting screws 900619 included

33/3547A PANIC VERTICAL RODS AND LATCHES



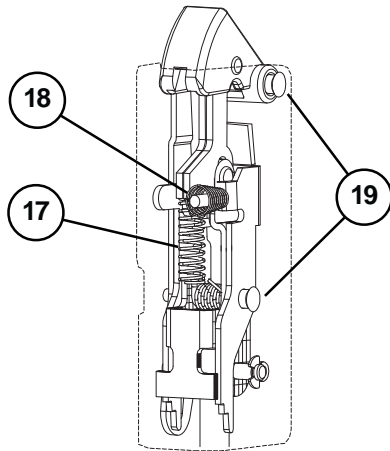
33/3547A PANIC VERTICAL RODS AND LATCHES

Item No.	Quantity	Part No.	Description	Finish
*	1	050047	33/3548A Latch Retrofit Kit (non EL)	
*	1	050048	33/3548A-F Latch Retrofit Kit (non EL)	
*	1	050522	EL33/3548A Latch Retrofit Kit	
*	1	050523	EL33/3548A-F Latch Retrofit Kit	
1**	1	050493	33/3547A Bottom Latch Kit	
2**	1	050492	33/3547A Top Latch Kit	
3	2	109324	33/3547A Latch Mtg Bracket Kit	
3	2	112868	33/3548A Latch Mtg Bracket Kit	
4	6	090059	Latch Bracket Mtg Screw (Latch)	
5	6	090061	Latch Bracket Mtg Screw (Metal Door)	
5	6	900856	Latch Bracket Mtg Screw (Wood Door)	
6	2	090063	Retaining Ring (Pkg of 10)	
7	2	090064	Latch Link Pin (Pkg of 10)	
8	1	050519	Adjustable Top Rod 6'8" - 8'4" Door	
9	1	050520	Adjustable Bottom Rod Kit	
10	2	090071	33/3547A Rod Connecting Screw	
10	2	090072	33/3548A Rod Connecting Screw	
11	1	106222	Ratchet Release Pkg	X
12	1	090070	Ratchet Release Screw	
13	2	900620	Rod Adjusting Pkg	
13	2	900898	33/3547A Adjusting Screw LBR Package	
14	2	969989	Rod Connector Extension Bracket	
15	2	972408	Rod Connector Screw	
16	1	090065	Bolt Return Spring	
17	1	090066	Top Latch Compression Spring (Pkg of 10)	
18	1	090069	Ratchet Lever Spring (Pkg of 2)	
19	1	090062	Btm Latch Case Spirol Pin (Pkg of 10)	
20	1	970978	33/3547A Ratchet Release Spacer 1/8"	

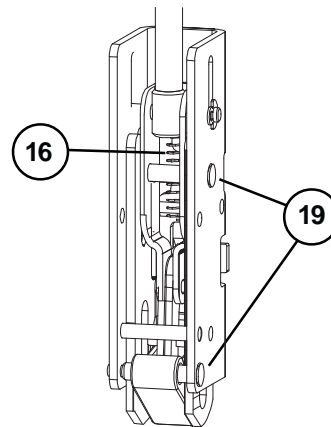
X in "Finish" column designates finished items; finish must be specified when ordering.

*Retrofit kit includes items 1-3 to convert 33/3547A to 33/3548A.

**Each latch kit (item 1-2) includes only one latch mtg bracket kit (item 3). For service replacement only. Refer to retrofit kits to convert 33/3547A to 33/3548A.

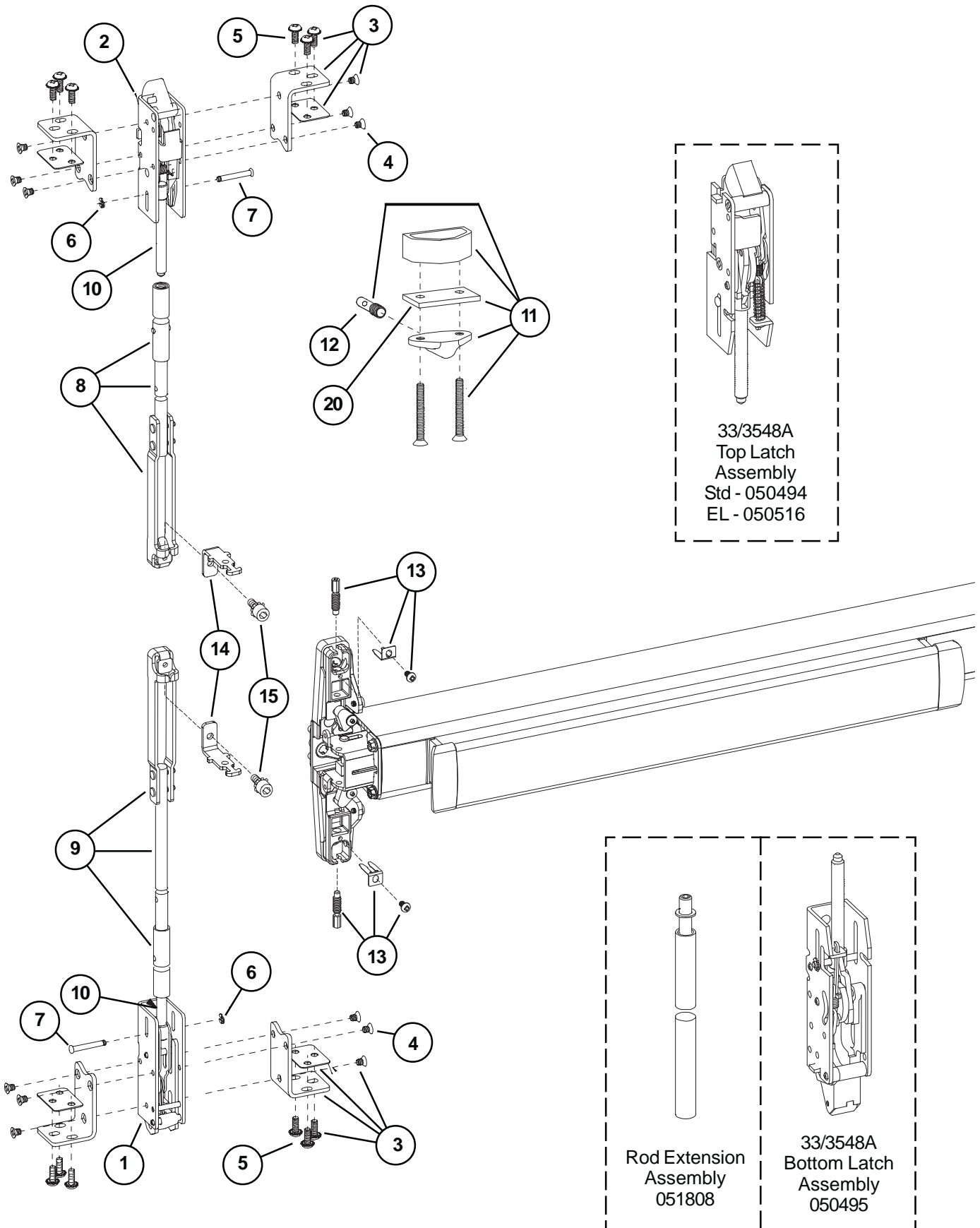


33/3547A Top Latch



33/3547A Bottom Latch

33/3547A-F FIRE VERTICAL RODS AND LATCHES



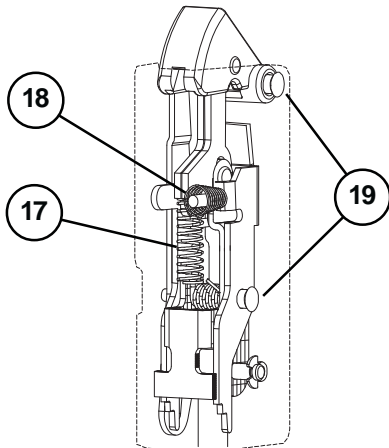
33/3547A-F FIRE VERTICAL RODS AND LATCHES

Item No.	Quantity	Part No.	Description	Finish
*	1	050047	33/3548A Latch Retrofit Kit-(non EL)	
*	1	050048	33/3548A-F Latch Retrofit Kit-(non EL)	
*	1	050522	EL33/3548A Latch Retrofit Kit	
*	1	050523	EL33/3548A-F Latch Retrofit Kit	
1**	1	050493	33/3547A Bottom Latch Kit	
2**	1	050492	33/3547A Top Latch Kit	
3	2	109324	33/3547A Latch Mtg Bracket Kit	
3	2	112868	33/3548A Latch Mtg Bracket Kit	
4	6	090059	Latch Bracket Mtg Screw (Latch)	
5	6	090061	Latch Bracket Mtg Screw (Metal Door)	
5	6	900856	Latch Bracket Mtg Screw (Wood Door)	
6	2	090063	Retaining Ring (Pkg of 10)	
7	2	090064	Latch Link Pin (Pkg of 10)	
8	1	050519	Adjustable Top Rod 6'8" - 8'4" Door	
9	1	050520	Adjustable Bottom Rod Kit	
10	2	090071	33/3547A Rod Connecting Screw	
10	2	090072	33/3548A Rod Connecting Screw	
11	1	106222	Ratchet Release Pkg	X
12	1	090070	Ratchet Release Screw	
13	2	900620	Rod Adjusting Pkg	
13	2	900898	33/3547A Adjusting Screw LBR Package	
14	2	969989	Rod Connector Extension Bracket	
15	2	972408	Rod Connector Screw	
16	1	090065	Bolt Return Spring	
17	1	090066	Top Latch Compression Spring (Pkg of 10)	
18	1	090069	Ratchet Lever Spring (Pkg of 2)	
19	4	090062	Btm Latch Case Spirol Pin (Pkg of 10)	
20	1	970978	33/3547A Ratchet Release Spacer	

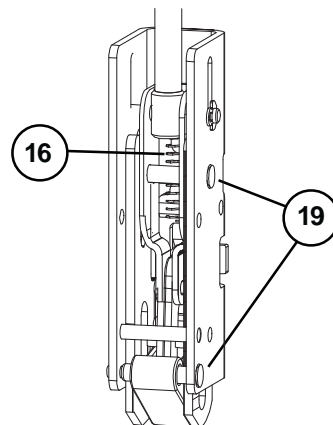
X in "Finish" column designates finished items; finish must be specified when ordering.

*Retrofit kit includes items 1-3 to convert 33/3547A to 33/3548A.

**Each latch kit (item 1-2) includes only one latch mtg bracket kit (item 3). For service replacement only. Refer to retrofit kits to convert 33/3547A to 33/3548A.

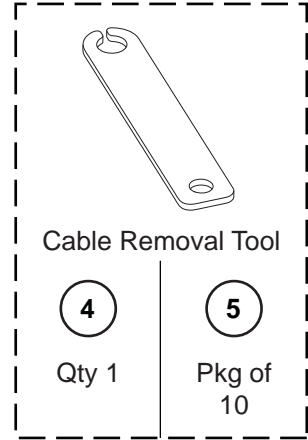
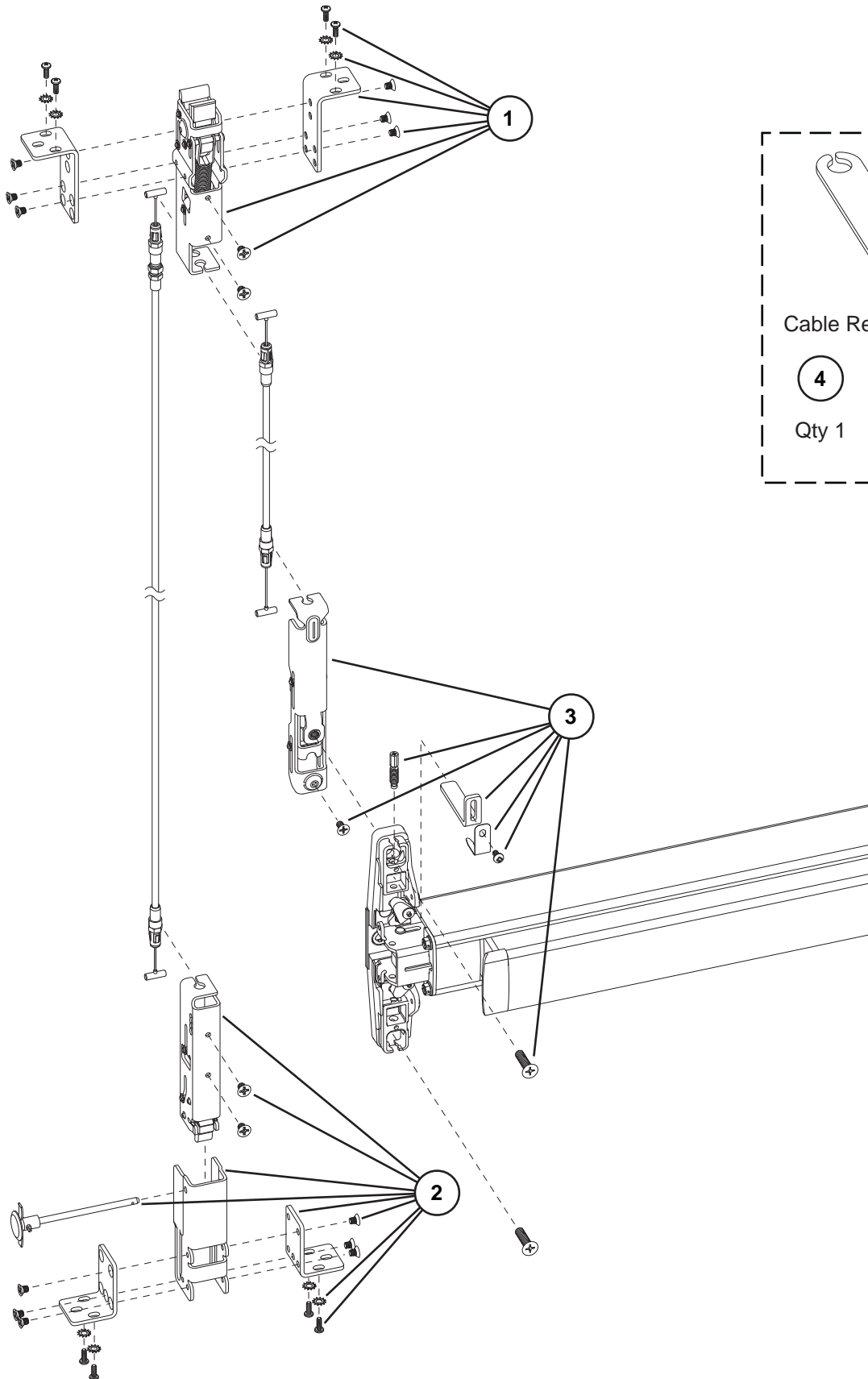


33/3547A Top Latch



33/3547A Bottom Latch

33/3549A & 33/3549-F VERTICAL CABLES AND LATCHES (ALUMINUM AND METAL DOOR)



33/3549A & 33/3549A-F

VERTICAL CABLES AND LATCHES (ALUMINUM AND METAL DOOR)

Item No.	Quantity	Part No.	Description	Finish
1*	1	24090110	Top Latch Assembly	
2	1	23905821	Bottom Latch Assembly	
3	1	24090136	33/3549 Center Slide Assembly (Aluminum and Metal Door)	
4	1	24008773	Cable Removal Tool	
5	10	24090706	Cable Removal Tool (Pkg of 10)	

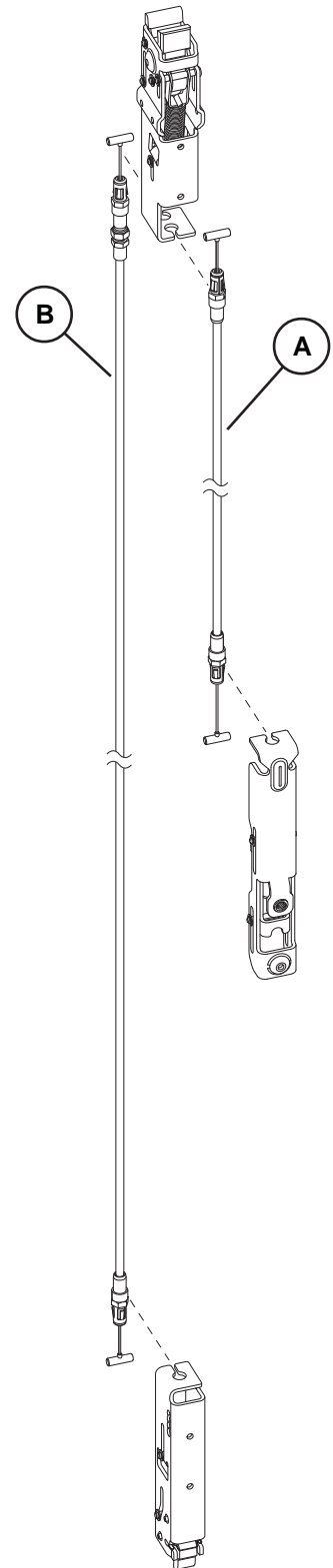
*A cable removal tool is included with the assembly.

Each latch assembly includes two latch mounting brackets.

See page 12 for 33/3549A aluminum and metal door cable assemblies.

33/3549A, 33-3549A-F CABLE ASSEMBLIES - ALUMINUM OR METAL DOOR

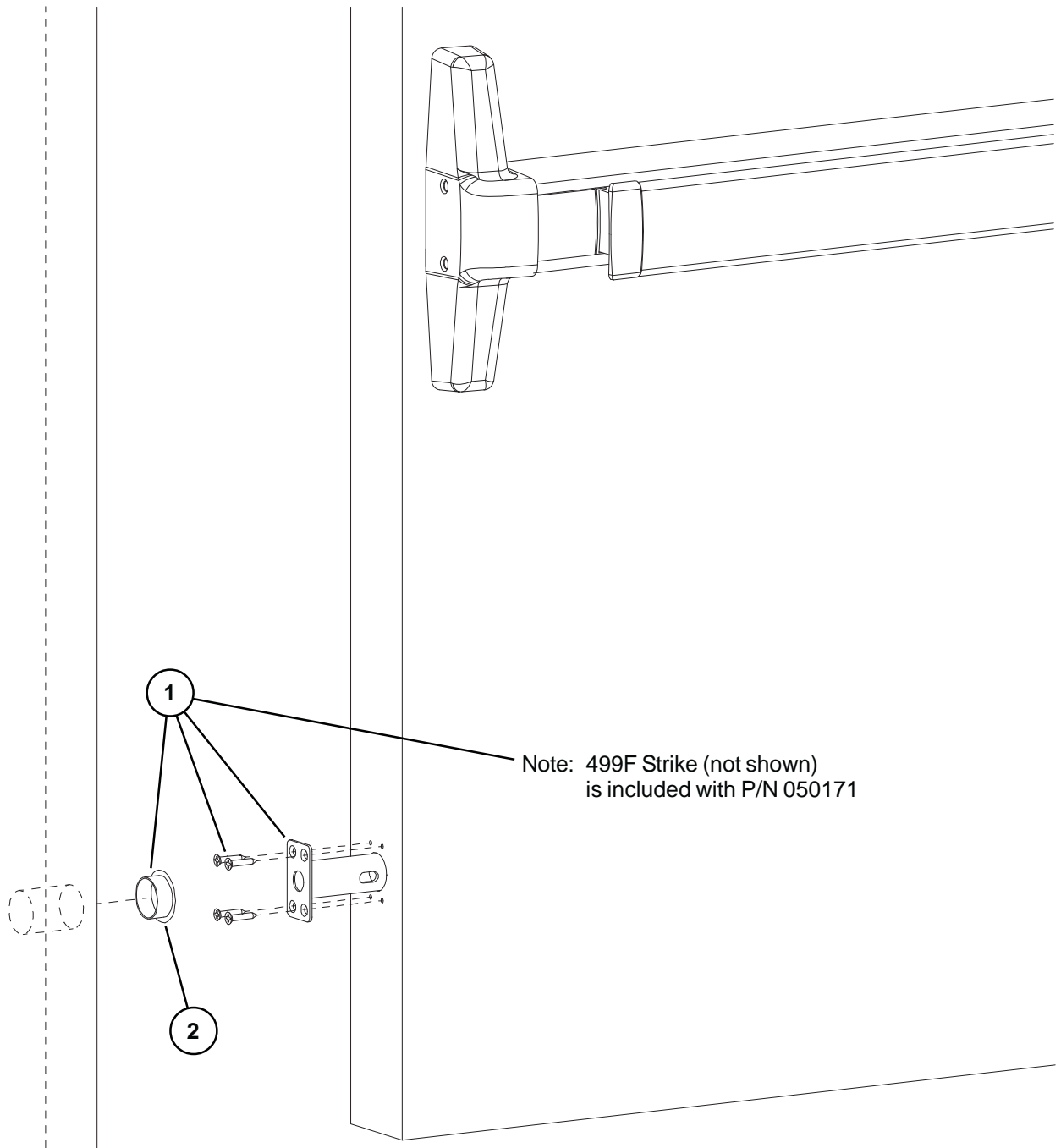
Door Opening Height	Part Numbers	
	Top Cable (A)	Bottom Cable (B)
126"	24009359 (73")	24009417 (115")
125"	24009342 (72")	24009409 (114")
124"	24009334 (71")	24009391 (113")
123"	24009326 (70")	24009383 (112")
122"	24009318 (69")	24009375 (111")
121"	24009300 (68")	24009367 (110")
120"	23925407 (67")	23925811 (109")
119"	23925415 (66")	23925829 (108")
118"	23925423 (65")	23925837 (107")
117"	23925431 (64")	23925845 (106")
116"	23925449 (63")	23925852 (105")
115"	23925456 (62")	23925860 (104")
114"	23925464 (61")	23925878 (103")
113"	23925472 (60")	23925886 (102")
112"	23925480 (59")	23925894 (101")
111"	23925498 (58")	23925902 (100")
110"	23925506 (57")	23925910 (99")
109"	23925514 (56")	23925928 (98")
108"	23925522 (55")	23925936 (97")
107"	23925530 (54")	23925944 (96")
106"	23925548 (53")	23925951 (95")
105"	23925555 (52")	23925969 (94")
104"	23925563 (51")	23925977 (93")
103"	23925571 (50")	23925985 (92")
102"	23925589 (49")	23925993 (91")
101"	23925597 (48")	23926009 (90")
100"	23925605 (47")	23926017 (89")
99"	23925613 (46")	23926025 (88")
98"	23925621 (45")	23926033 (87")
97"	23925639 (44")	23926041 (86")
96"	23925647 (43")	23926058 (85")
95"	23925654 (42")	23926066 (84")
94"	23925662 (41")	23926074 (83")
93"	23925670 (40")	23926082 (82")
92"	23925688 (39")	23926090 (81")
91"	23925696 (38")	23926108 (80")
90"	23925704 (37")	23926116 (79")
89"	23925712 (36")	23926124 (78")
88"	23925720 (35")	23926132 (77")
87"	23925738 (34")	23926140 (76")
86"	23925746 (33")	23926157 (75")
85"	23925753 (32")	23926165 (74")
84"	23925761 (31")	23926173 (73")
83"	23925779 (30")	23926181 (72")
82"	23925787 (29")	23926199 (71")
81"	23925795 (28")	23926207 (70")
80"	23925803 (27")	23926215 (69")



Standard cable lengths (in stock)
Non-standard lengths are also available.
Please consult factory for lead times.

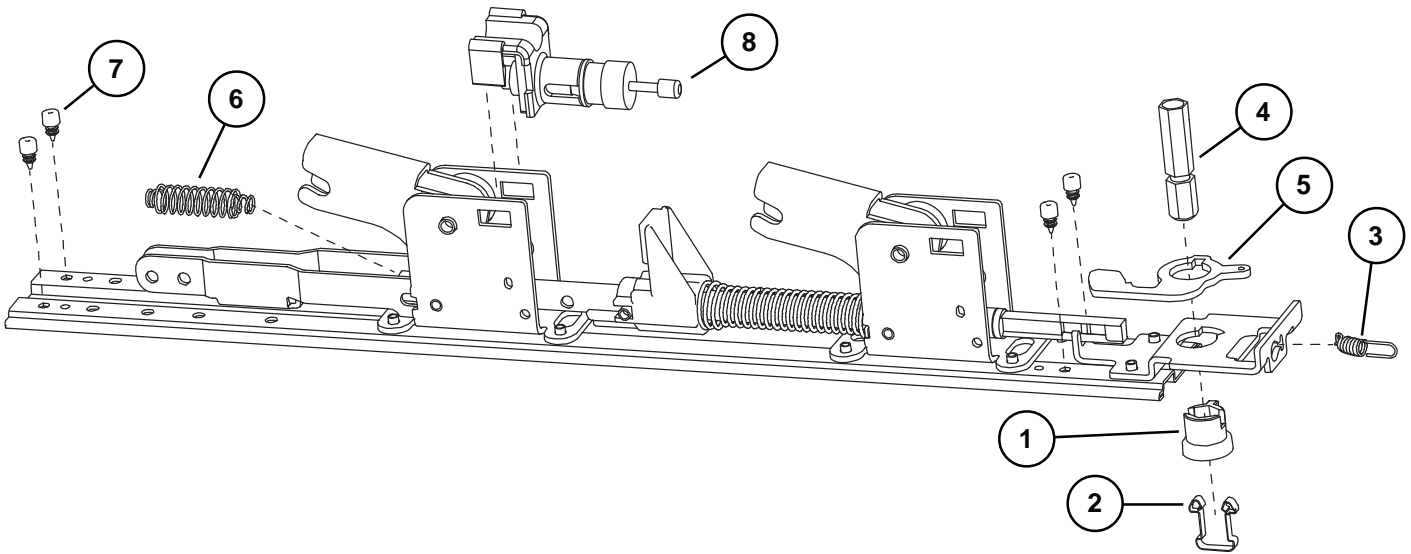
**33/3547-F LBR (LESS BOTTOM ROD)
 33/3549-F LBL (LESS BOTTOM LATCH)
 FIRE LATCH KIT**

Item No.	Quantity	Part No.	Description	Finish
1	1	050171	LBR/LBL Fire Latch/Strike kit	
2	1	050509	LBR/LBL Fire Strike Plug	



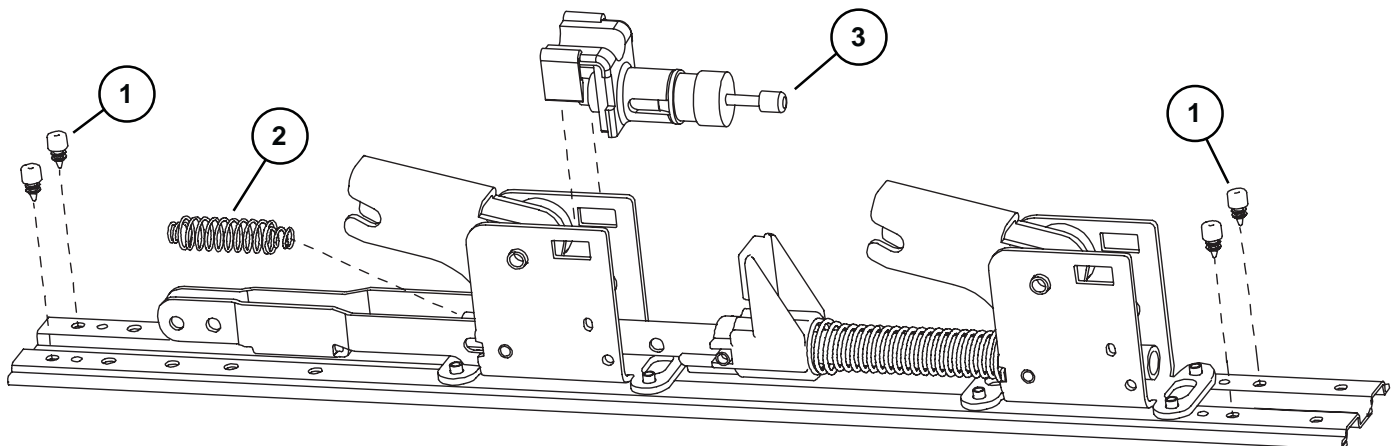
33/3547A & 33/3549A PANIC DEVICE BASEPLATE ASSEMBLY

Item No.	Quantity	Part No.	Description	Finish
1	1	090043	Dogging adapter (Pkg of 2)	
2	1	090042	Dogging adapter spring (Pkg of 2)	
3	1	090041	Dogging spring (Pkg of 2)	
4	1	090040	Hex dogging shaft (Pkg of 2)	
5	1	090044	Dogging hook (Pkg of 2)	
6	1	090039	Latch return spring (Pkg of 10)	
7	4	090038	Rubber bumper (Pkg of 4)	
8	1	050491	Shock absorber	



33/3547A-F & 33/3549A-F FIRE DEVICE BASEPLATE ASSEMBLY

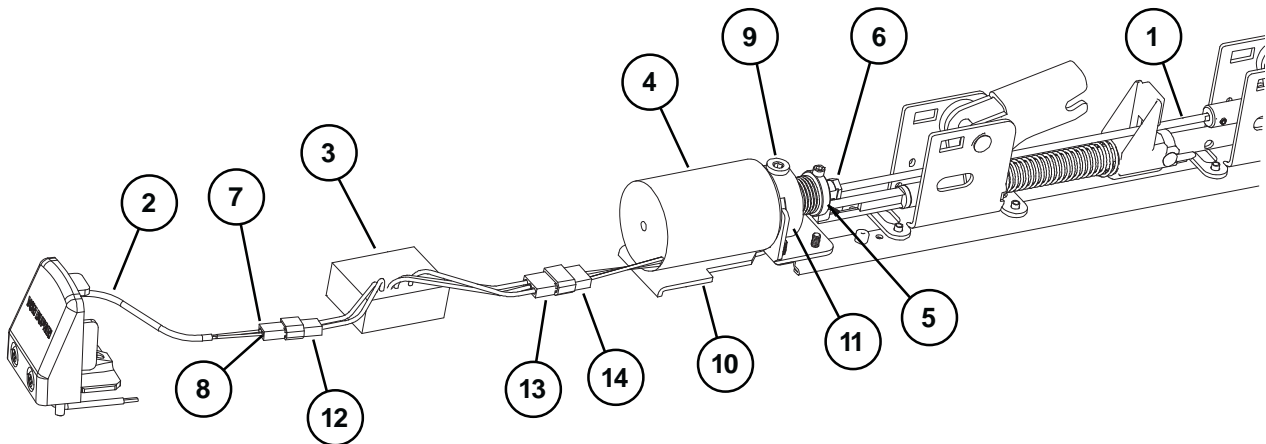
Item No.	Quantity	Part No.	Description	Finish
1	4	090038	Rubber bumper (Pkg of 4)	
2	1	090039	Latch return spring (Pkg of 10)	
3	1	050491	Shock absorber	



**HD-EL3347A/HD-EL3547A & HD-EL3349A/HD-EL3549A
HEX DOGGING/ELECTRIC LATCH
RETRACTION OPTION - PANIC DEVICE ONLY**

Item No.	Quantity	Part No.	Description	Finish
1	1	050531	EL Dogging Rod Kit - 3' Device	
1	1	050532	EL Dogging Rod Kit - 4' Device	
2	1	110388	EL 6' Cable and Connector	
3	1	050534	EL Potted Circuit Breaker	
4	1	050536	HD-EL Solenoid	
5	1	050537	HD-EL Solenoid Plunger	
6	1	050538	EL Dogging Rod Retainer	
7	1	050539	EL Receptacle Connector - 2 Position	
8	2	050540	EL Female Terminal	
9	1	050541	HD-EL Dog Screw	
10	1	050542	HD-EL Solenoid Bracket	
11	1	050543	HD-EL Dogging Spring	
12	1	990599	EL Plug Connector - 2 Position	
13	1	990857	EL Receptacle Connector - 3 Position	
14	1	990858	EL Plug Connector - 3 Position	
*	1	050384	HD-EL Conversion Kit - 3'	
*	1	050385	HD-EL Conversion Kit - 4'	

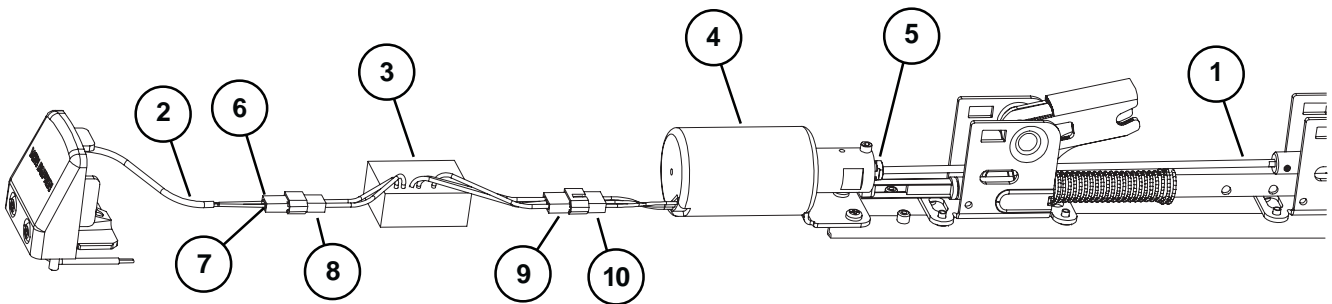
*Kit includes items 1-11 plus new control link, retaining ring, and baseplate screws.



EL3347A/EL3547A & EL3349A/EL3549A ELECTRIC LATCH RETRACTION OPTION

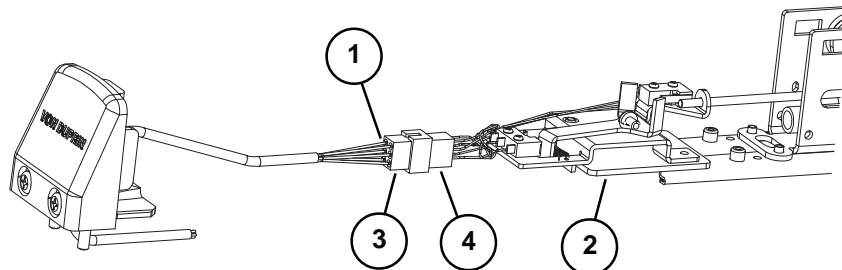
Item No.	Quantity	Part No.	Description	Finish
1	1	050531	EL Dogging Rod Kit - 3' device	
1	1	050532	EL Dogging Rod Kit - 4' device	
2	1	110388	EL 6' Cable and Connector	
3	1	050534	EL Potted Circuit Breaker	
4	1	050535	EL Solenoid Assembly	
5	1	050538	EL Dogging Rod Retainer	
6	1	050539	EL Receptacle Connector	
7	2	050540	EL Female Terminal	
8	1	990599	EL Plug Connector - 2 Position	
9	1	990857	EL Receptacle Connector - 3 Position	
10	1	990858	EL Plug Connector - 3 Position	
*	1	050070	EL Conversion Kit - 3'	
*	1	050078	EL Conversion Kit - 4'	

*Kit includes items 1-7 plus new control link pin, retaining ring, and baseplate screws.

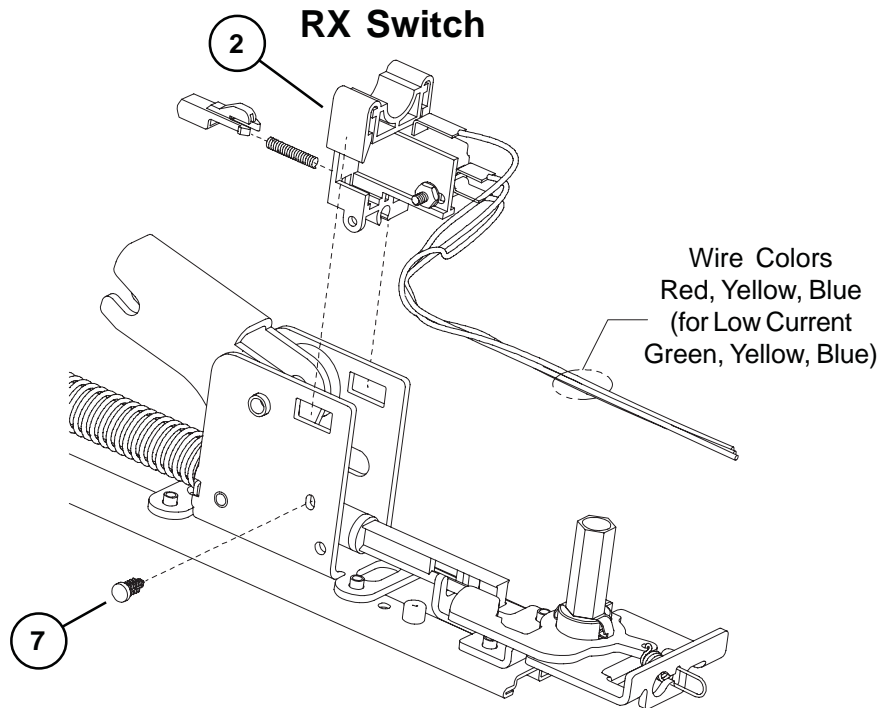
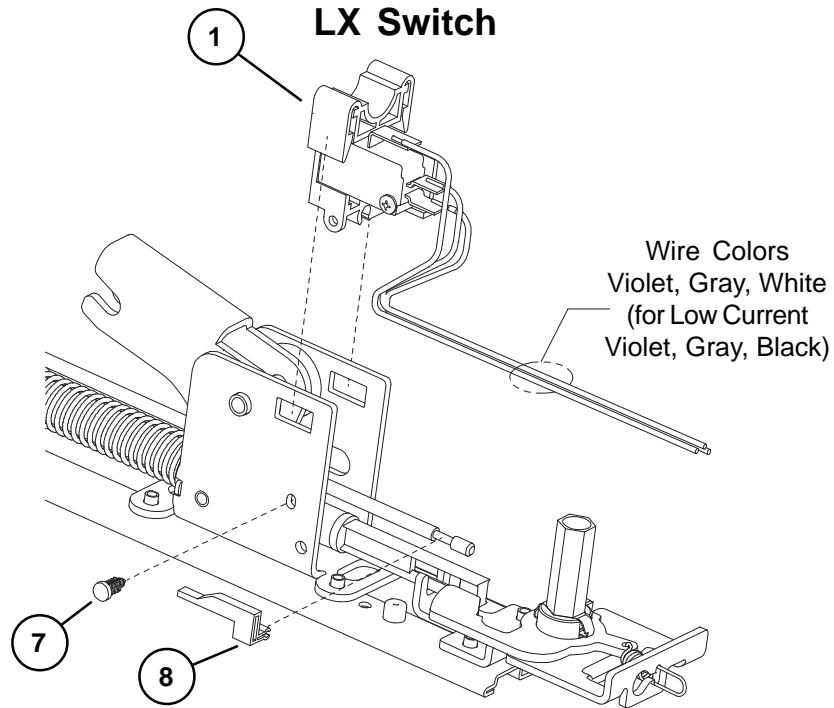


SS3347A/SS3547A & SS3349A/SS3549A SERIES SIGNAL SWITCH OPTION

Item No.	Quantity	Part No.	Description	Finish
1	1	050544	SS Cable	
2	1	050545	SS Housing	
3	1	990601	SS Plug Connector - 6 Position	
4	1	990602	SS Receptacle Connector - 6 Position	

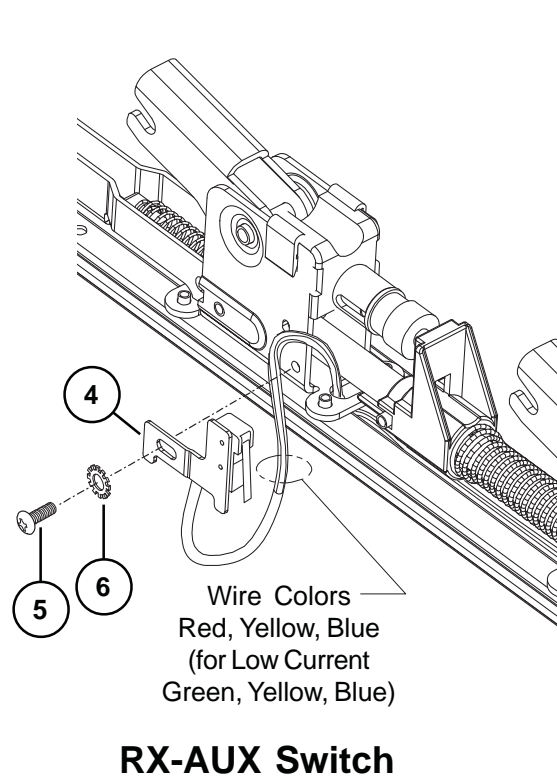
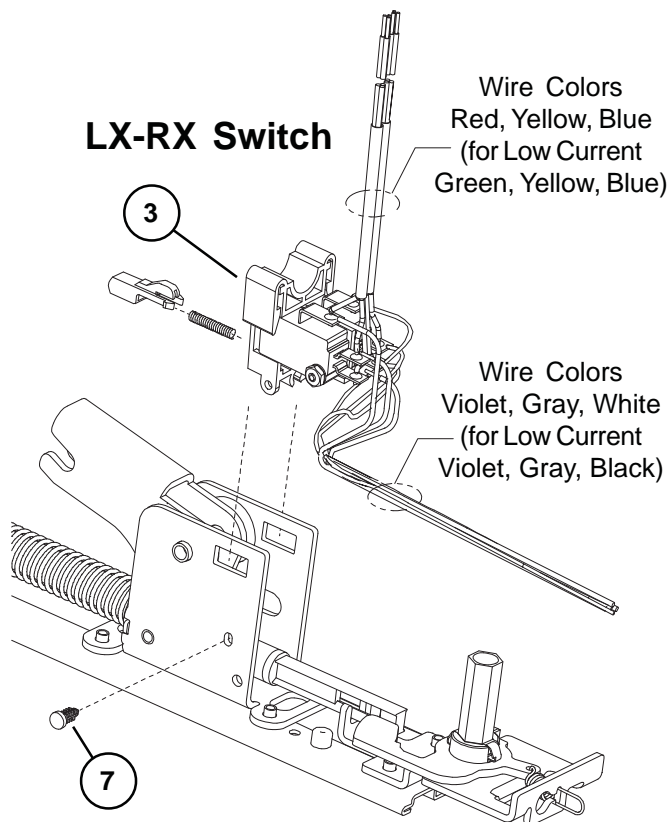


33/3547A & 33/3549A LX (LATCH BOLT MONITOR) & RX (REQUEST TO EXIT) OPTIONS



33/3547A & 33/3549A LX (LATCH BOLT MONITOR) & RX (REQUEST TO EXIT) OPTIONS

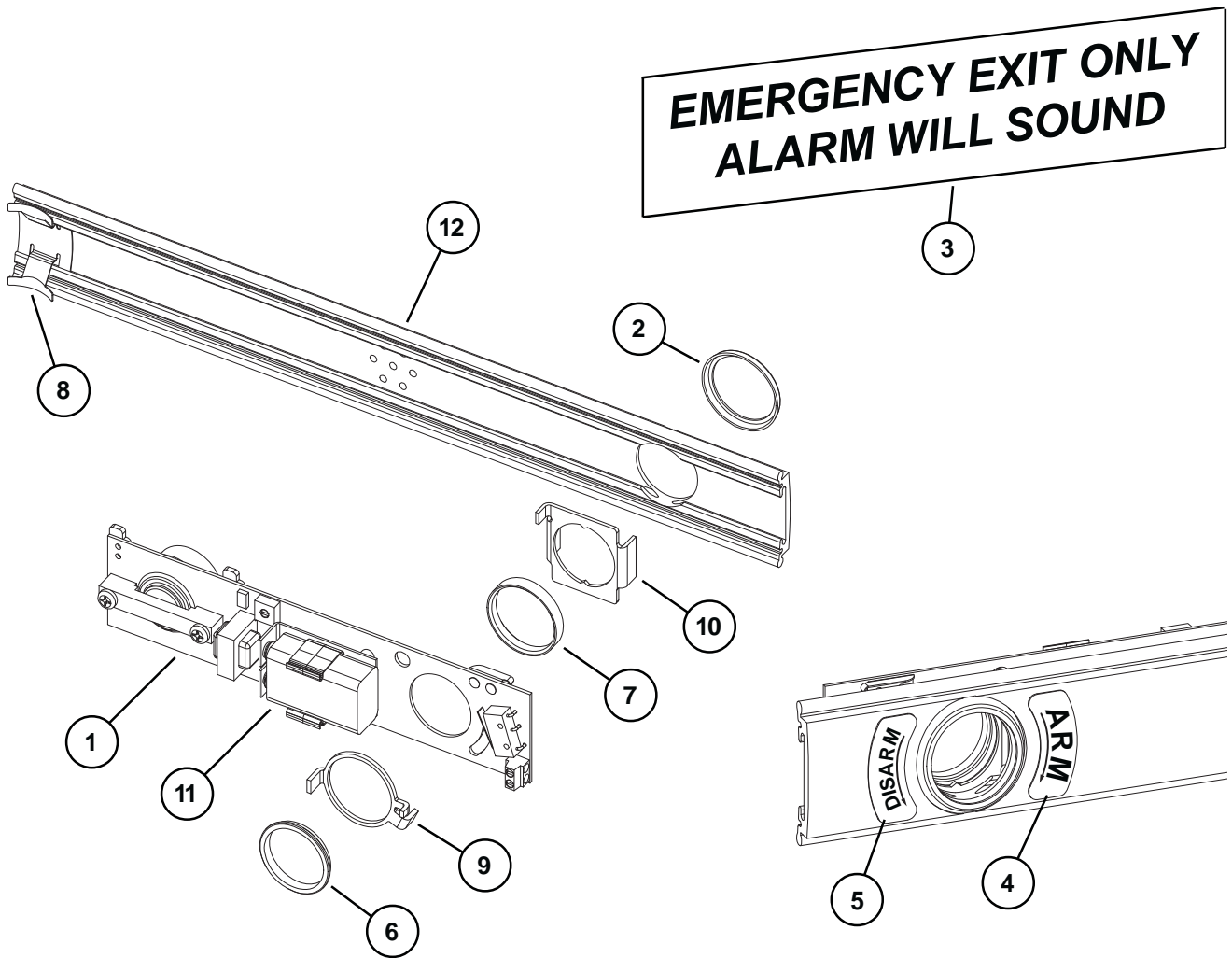
Item No.	Quantity	Part No.	Description	Finish
1	1	050254	LX Switch Kit 3' Device	
1	1	050255	LX Switch Kit 4' Device	
1	1	050247	LX-EL Switch Kit	
1	1	050283	LX-LC (Low Current) Switch Kit 3' Device	
1	1	050285	LX-LC (Low Current) Switch Kit 4' Device	
1	1	050287	LX-LC-EL (Low Current) Switch Kit	
2	1	050251	RX Switch Kit	
2	1	050281	RX-LC (Low Current) Switch Kit	
3	1	050256	LX-RX Switch Kit 3' Device	
3	1	050257	LX-RX Switch Kit 4' Device	
3	1	050259	LX-RX-EL Switch Kit	
3	1	050289	LX-RX-LC (Low Current) Sw. Kit 3' Device	
3	1	050291	LX-RX-LC (Low Current) Sw. Kit 4' Device	
3	1	050293	LX-RX-LC-EL (Low Current) Switch Kit	
2 & 4	1	050270	RX-2 Switch Kit	
4	1	050271	RX-AUX Switch Kit	
5	1	964558	8-32 x 5/16" PPHMS	
6	1	964019	#8 Washer	
7	1	090099	Pine Tree Clip (Pkg of 10)	
8	1	971091	LX Actuator	



33/3547A & 33/3549A ALK EXIT ALARM KIT

Item No.	Quantity	Part No.	Description	Finish
1	1	111795	ALK PCB Assembly	
2	1	050525	Cylinder Collar	X
3	1	969122	ALK Alarm Device Sign	
4	1	969349	ALK Arming Label	
5	1	969350	ALK Disarming Label	
6	1	969354	Retainer Nut	
7	1	970594	ALK Cylinder Spacer	
8	1	090036	Cover Plate Anti-rattle spring (Pkg of 10)	
9	1	971556	ALK Switch Actuator	
10	1	971557	ALK Cylinder Bracket	
11	1	990637	ALK Battery	
12	1	050406	33A Series ALK Cover Plate Kit	X
12	1	050407	35A Series ALK Cover Plate Kit	X

X in "Finish" column designates finished items; finish must be specified when ordering.

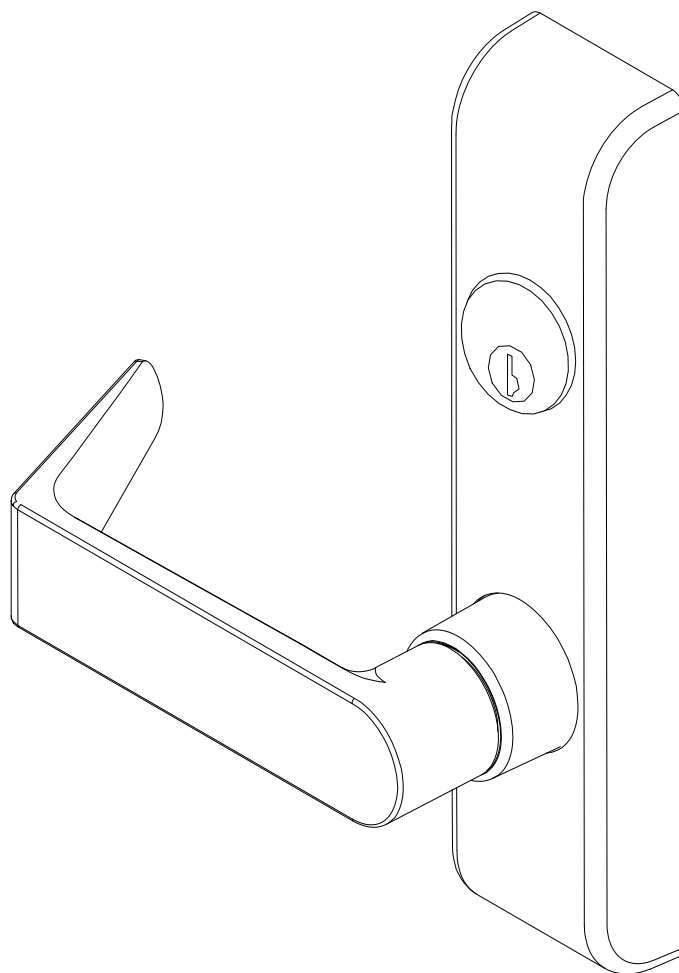


VON DUPRIN®

PARTS MANUAL

May 2010

360/370 SERIES CONTROLS



PM360/370_C
VD-5558

IR Ingersoll Rand
Security Technologies

Copyright © 2010 Ingersoll-Rand. All rights reserved.

INDEX

360/370 Series Controls	
370-T & 370-T-BE Control	4
370-L & 370-L-BE Control	5
370-L-DT & 372-L-DT Control	6
371-L & 371-L-BE Control	7
372-T & 372-T-BE Control	8
373-L & 373-L-BE Control	9
374-T, 374-T-BE, 376-T, 376-T-BE, 376-T-WDC & 376-T-WDC-BE CONTROL	10
374-T, 374-T-BE Rod Member Kits	11
376-T, 376-T-BE Rod Member Kits	11
374-T-WDC, 374-T-WDC-BE Rod Member Kits	11
377-T & 377-T-BE Control	12
360-L & 360-L-BE Control	13
360-T & 360-T-BE Control	14
360-L-DT Control	15
E360-L-BE Control	16
General Information	
Introduction	2
How to Order	2
Part Number Changes	2
Mounting ScREW Packages	2
Control Levers	3
Kits Required to Change Handing on Lever Controls	3
Cylinder Mount Accessories	3

INTRODUCTION

This manual contains a listing of replaceable parts and assemblies for the 360/370 Series Controls.

HOW TO ORDER

Some parts are sold separately. Other items are available as part of a kit or multiple quantity package. For the best possible service when ordering replacement parts or assemblies, please provide the following information:

- Part number or assembly number
- Description
- Quantity needed
- Finish desired (if available finished)
- Date of original purchase (if known)

To find out the name of your local Von Duprin distributor or sales representative, contact:

Von Duprin Division
 Ingersoll-Rand Company
 2720 Tobey Drive
 Indianapolis, Indiana 46219
 Phone: (800) 999-0408
 Fax: (800) 999-0328

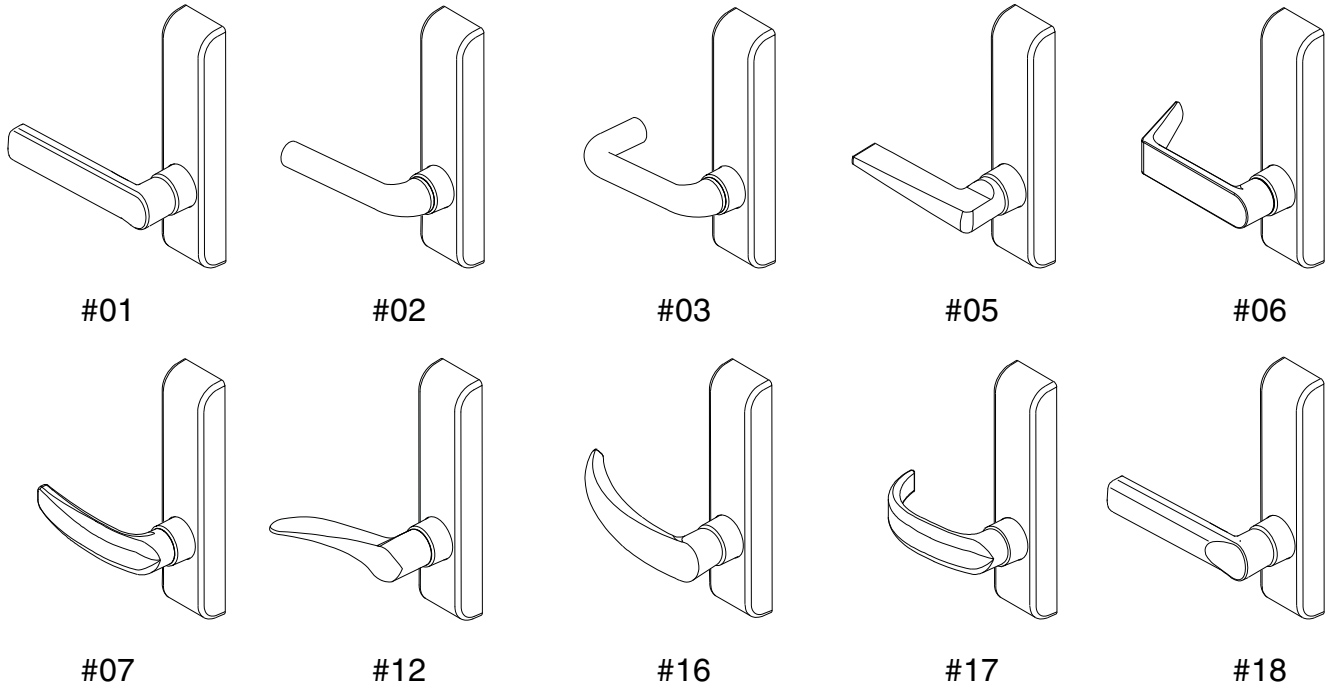
PART NUMBER CHANGES

This manual reflects the product as sold in July 2009. Because of changes to the product and/or manufacturing process, part numbers can change.

MOUNTING SCREW PACKAGES

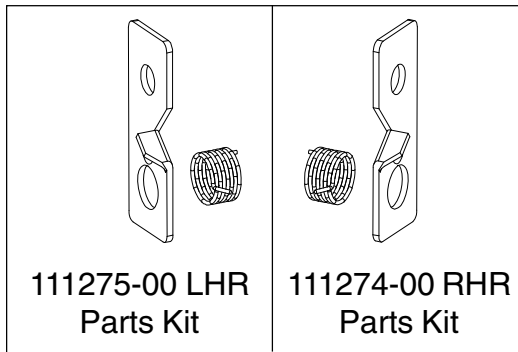
Description	371/373/378 Part number	374/376/377 Part number	375 Part number
Screw Package 1 3/4" Dr	900807	900809	900883
Screw Package 2 1/4" Dr	900808	900810	900884

CONTROL LEVERS

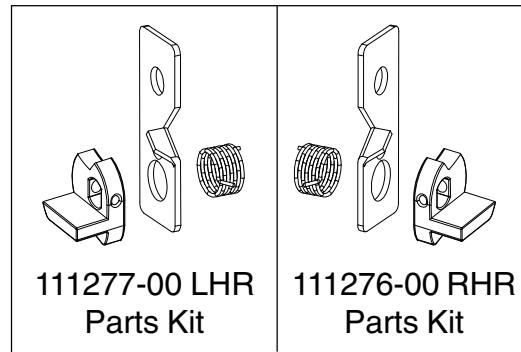


KITS REQUIRED TO CHANGE HANDING ON LEVER CONTROLS

370-L/371-L/373-L



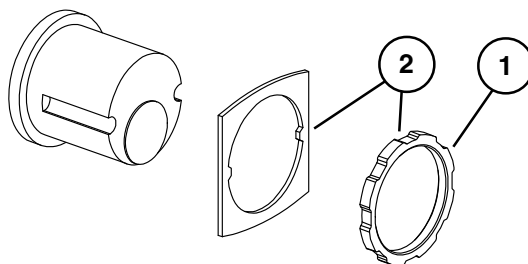
372-L



CYLINDER MOUNT ACCESSORIES

Item No.	Quantity	Part No.	Description	Finish
1	1	050526	Cylinder Locknut	
2	1	109111	Cylinder Lock Nut & Washer	

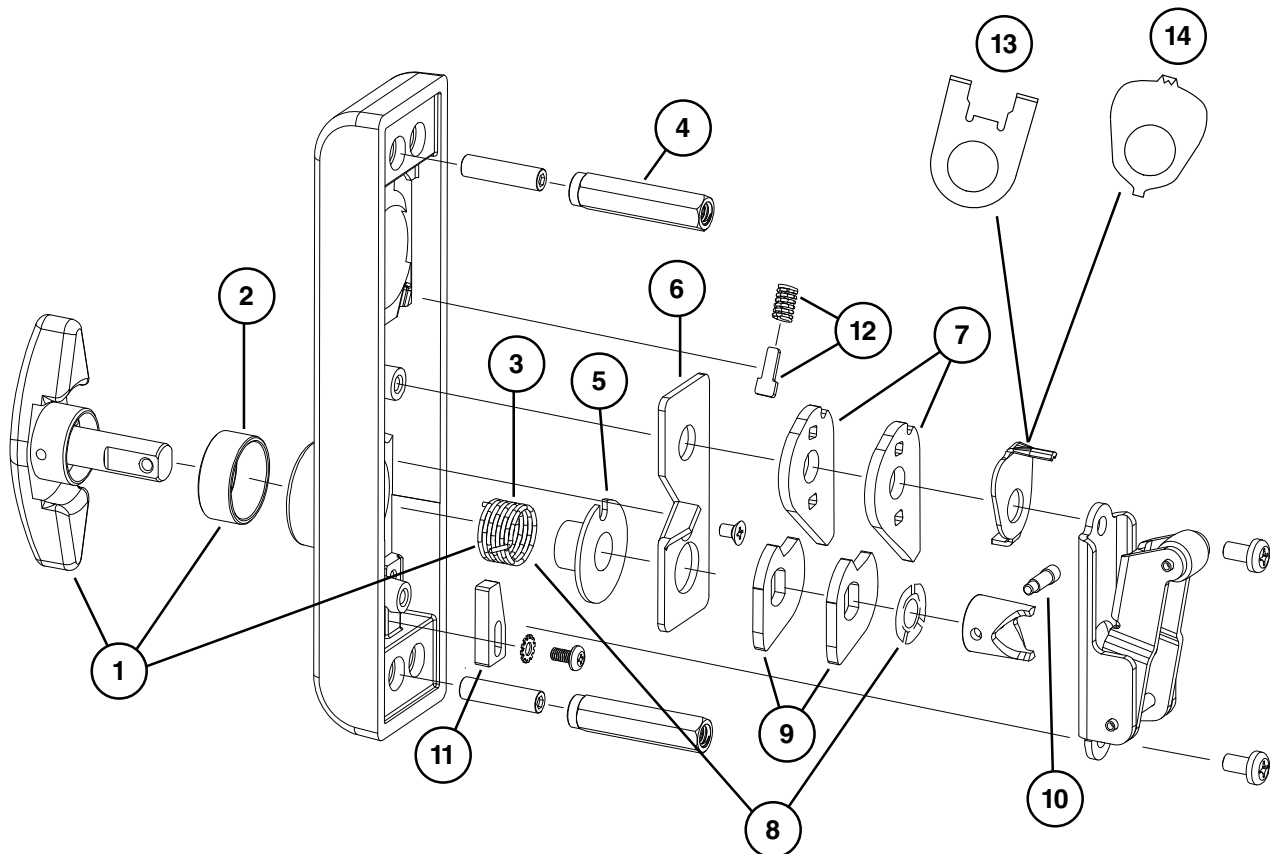
Note: 360 series trims require locknut only, 370 series require washer & locknut



370-T & 370-T-BE CONTROL

Item No.	Quantity	Part No.	Description	Finish
1	1	050592	Thumbturn Kit	X
2	1	050619	Thumbturn Sleeve	
3	1	090092	Lever Control Spring RHR Pkg/4	
4	2	090096	Mounting Stud Pkg/2	
5	1	050621	Washer - Bearing	
6	1	050597	Backplate RHR	
7	2	090090	Cylinder Lock Pkg/2 (Not used on BE)	
8	1	050616	Thumbturn Control Spring & Washer Kit	
9	2	050602	Lever Shaft Lock	
10	1	090097	Cam Retaining Screw Pkg/4	
11	1	050576	Lever Adjustment Block	
12	1	050607	Dogging Spring and Guide Kit (Not used on BE)	
13	1	050599	NL Cylinder Plate (Not used on BE)	
14	1	050600	TL Cylinder Plate (Not used on BE)	

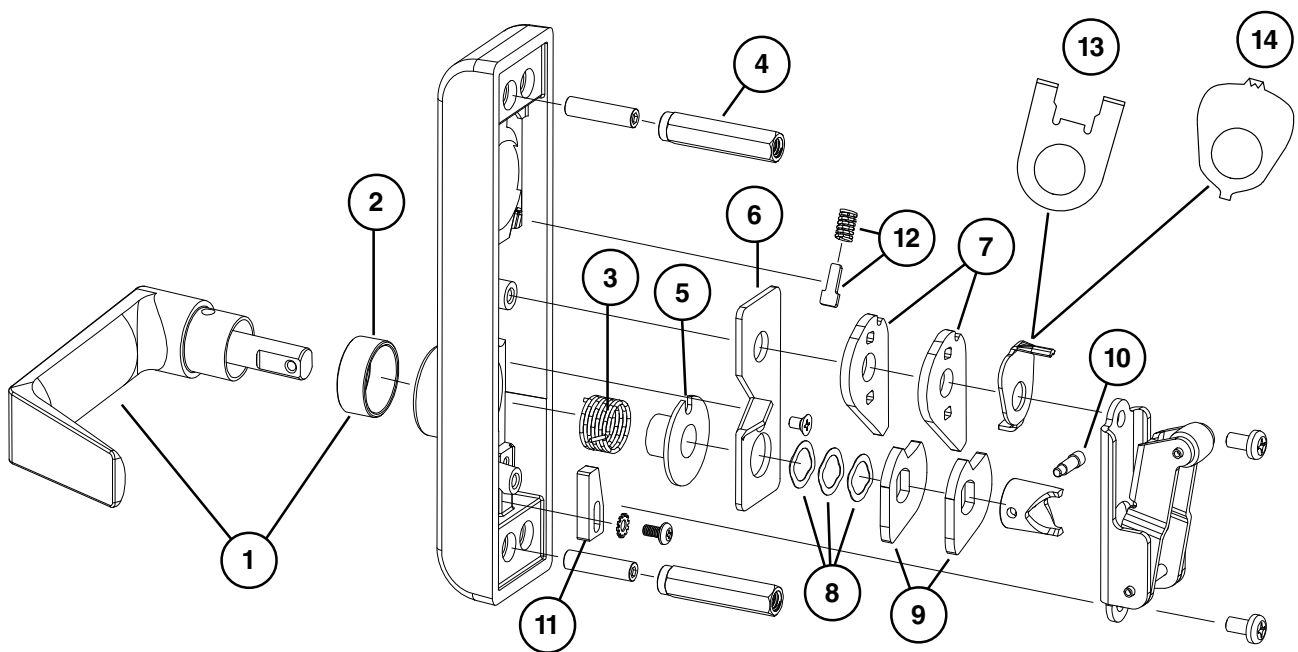
X in "Finish" column designates finished items; finish must be specified when ordering.



370-L & 370-L-BE CONTROL

Item No.	Quantity	Part No.	Description	Finish
1	1	050750	#01 Lever Kit	X
1	1	050752	#02 Lever Kit	X
1	1	050754	#03 Lever Kit	X
1	1	050756	#06 Lever Kit	X
1	1	050758	#07 Lever Kit	X
1	1	050760	#17 Lever Kit	X
1	1	050762	#12 Lever RHR Kit	X
1	1	050764	#12 Lever LHR Kit	X
2	1	050601	Lever Bushing	
3	1	090092	Lever Control Spring RHR Pkg/4	
3	1	090091	Lever Control Spring LHR Pkg/4	
4	2	090096	Mounting Stud Pkg/2	
5	1	050621	Washer - Bearing	
6	1	050597	Backplate RHR	
6	1	050596	Backplate LHR	
7	2	090090	Cylinder Lock Pkg/2 (Not used on BE)	
8	3	090103	Washer - Wave Spring Pkg/10	
9	2	050602	Lever Shaft Lock	
10	1	090097	Cam Retaining Screw Pkg/4	
11	1	050576	Lever Adjustment Block	
12	1	050607	Dogging Spring and Guide Kit (Not used on BE)	
13	1	050599	NL Cylinder Plate (Not used on BE)	
14	1	050600	TL Cylinder Plate (Not used on BE)	

X in "Finish" column designates finished items; finish must be specified when ordering.



370-L-DT & 372-L-DT CONTROL

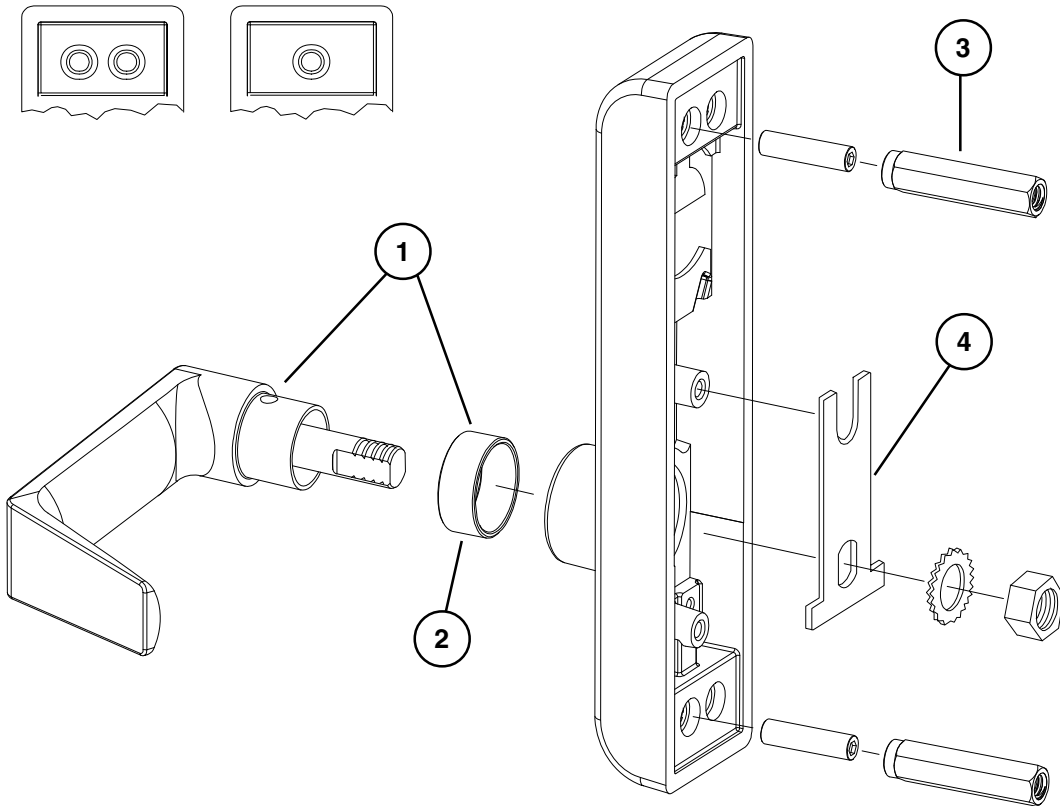
Item No.	Quantity	Part No.	Description	Finish
1	1	050751	#01 DT Lever Kit	X
1	1	050753	#02 DT Lever Kit	X
1	1	050755	#03 DT Lever Kit	X
1	1	050757	#06 DT Lever Kit	X
1	1	050759	#07 DT Lever Kit	X
1	1	050761	#17 DT Lever Kit	X
1	1	050763	#12 DT Lever RHR Kit	X
1	1	050765	#12 DT Lever LHR Kit	X
2	1	050601	Lever Bushing	
3	2	090096	Mounting Stud Pkg/2	
4	1	050598	Backplate - L-DT	

X in "Finish" column designates finished items; finish must be specified when ordering.

372-L-DT

372-L-DT

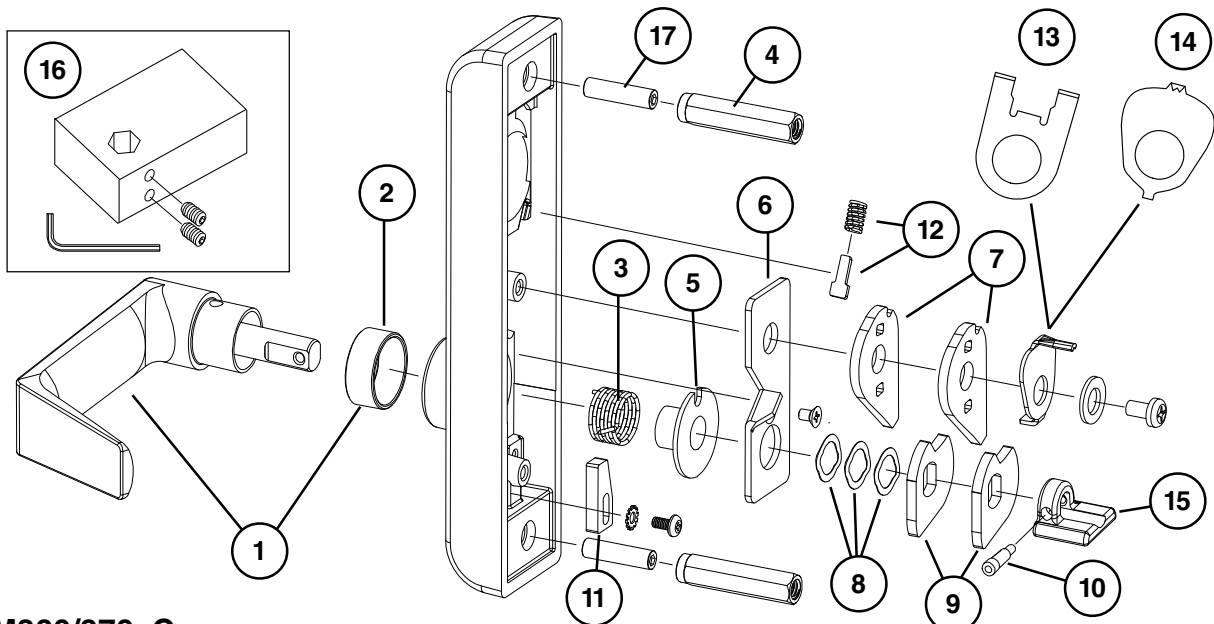
370-L-DT



371-L & 371-L-BE CONTROL

Item No.	Quantity	Part No.	Description	Finish
1	1	050750	#01 Lever Kit	X
1	1	050752	#02 Lever Kit	X
1	1	050754	#03 Lever Kit	X
1	1	050756	#06 Lever Kit	X
1	1	050758	#07 Lever Kit	X
1	1	050760	#17 Lever Kit	X
1	1	050762	#12 Lever RHR Kit	X
1	1	050764	#12 Lever LHR Kit	X
2	1	050601	Lever Bushing	
3	1	090092	Lever Control Spring RHR Pkg/4	
3	1	090091	Lever Control Spring LHR Pkg/4	
4	2	090095	Mounting Stud Pkg/2	
5	1	050621	Washer - Bearing	
6	1	050597	Backplate RHR	
6	1	050596	BackplateLHR	
7	2	090090	Cylinder Lock Pkg/2 (Not used on BE)	
8	3	090103	Washer - Wave Spring Pkg/10	
9	2	050602	Lever Shaft Lock	
10	1	090097	Cam Retaining Screw Pkg/4	
11	1	050576	Lever Adjustment Block	
12	1	050607	Dogging Spring and Guide Kit (Not used on BE)	
13	1	050599	NL Cylinder Plate (Not used on BE)	
14	1	050600	TL Cylinder Plate (Not used on BE)	
15	1	050606	Cam - Vertical Rod	
16	1	109126	371-L Rod Member Kit 1-3/4" Dr	
16	1	109127	371-L Rod Member Kit 2-1/4" Dr	
17	2	963584	Threaded Studs	

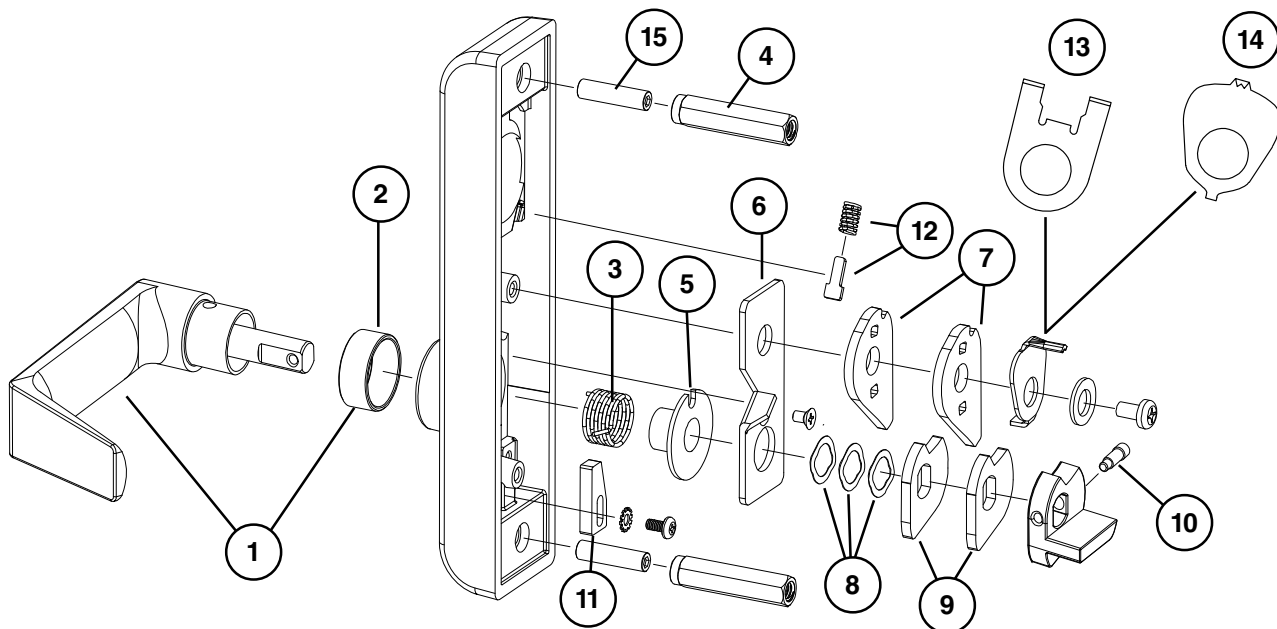
X in "Finish" column designates finished items; finish must be specified when ordering.



372-L & 372-L-BE CONTROL

Item No.	Quantity	Part No.	Description	Finish
1	1	050750	#01 Lever Kit	X
1	1	050752	#02 Lever Kit	X
1	1	050754	#03 Lever Kit	X
1	1	050756	#06 Lever Kit	X
1	1	050758	#07 Lever Kit	X
1	1	050760	#17 Lever Kit	X
1	1	050762	#12 Lever RHR Kit	X
1	1	050764	#12 Lever LHR Kit	X
2	1	050601	Lever Bushing	
3	1	090092	Lever Control Spring RHR Pkg/4	
3	1	090091	Lever Control Spring LHR Pkg/4	
4	2	090096	Mounting Stud Pkg/2	
5	1	050621	Washer - Bearing	
6	1	050597	Backplate RHR	
6	1	050596	BackplateLHR	
7	2	090090	Cylinder Lock Pkg/2 (Not used on BE)	
8	3	090103	Washer - Wave Spring Pkg/10	
9	2	050602	Lever Shaft Lock	
10	1	090097	Cam Retaining Screw Pkg/4	
11	1	050576	Lever Adjustment Block	
12	1	050607	Dogging Spring and Guide Kit (Not used on BE)	
13	1	050599	NL Cylinder Plate (Not used on BE)	
14	1	050600	TL Cylinder Plate (Not used on BE)	
15	2	963584	Threaded Studs	

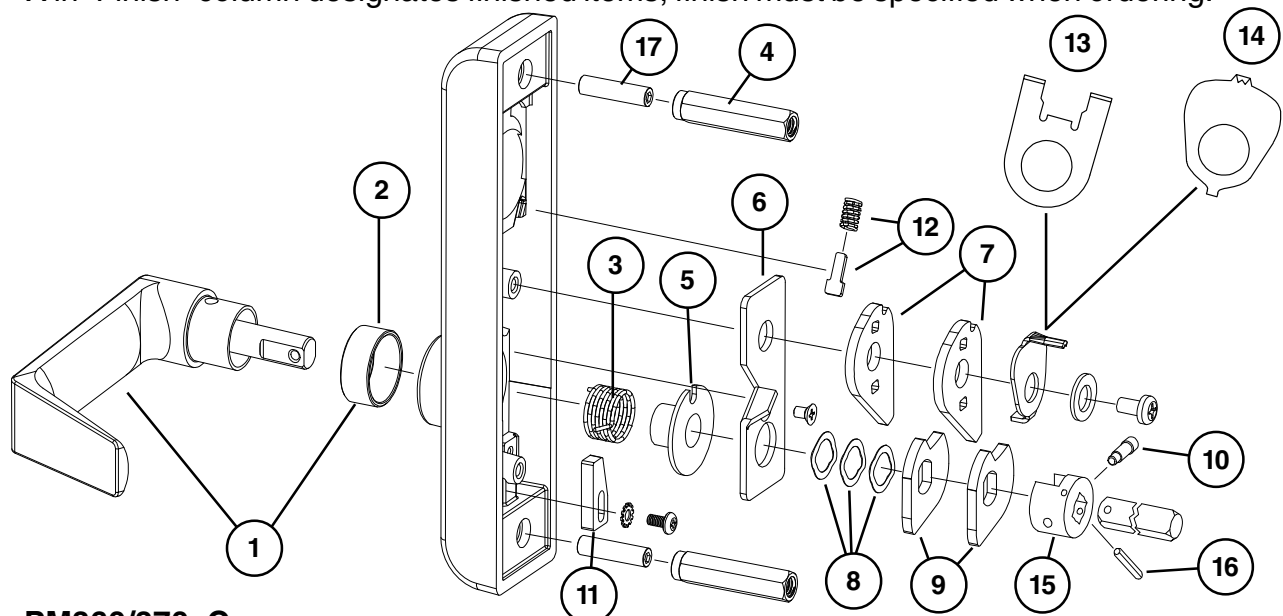
X in "Finish" column designates finished items; finish must be specified when ordering.



373-L & 373-L-BE CONTROL

Item No.	Quantity	Part No.	Description	Finish
1	1	050750	#01 Lever Kit	X
1	1	050752	#02 Lever Kit	X
1	1	050754	#03 Lever Kit	X
1	1	050756	#06 Lever Kit	X
1	1	050758	#07 Lever Kit	X
1	1	050760	#17 Lever Kit	X
1	1	050762	#12 Lever RHR Kit	X
1	1	050764	#12 Lever LHR Kit	X
2	1	050601	Lever Bushing	
3	1	090092	Lever Control Spring RHR Pkg/4	
3	1	090091	Lever Control Spring LHR Pkg/4	
4	2	090095	Mounting Stud Pkg/2	
5	1	050621	Washer - Bearing	
6	1	050597	Backplate RHR	
6	1	050596	BackplateLHR	
7	2	090090	Cylinder Lock Pkg/2 (Not used on BE)	
8	3	090103	Washer - Wave Spring Pkg/10	
9	2	050602	Lever Shaft Lock	
10	1	090097	Cam Retaining Screw Pkg/4	
11	1	050576	Lever Adjustment Block	
12	1	050607	Dogging Spring and Guide Kit (Not used on BE)	
13	1	050599	NL Cylinder Plate (Not used on BE)	
14	1	050600	TL Cylinder Plate (Not used on BE)	
15	1	050609	Mortise Adaptor	
16	1	090098	Pin - Spiral 3/32 x 19/32 Pkg/4	
17	2	963584	Threaded Studs	

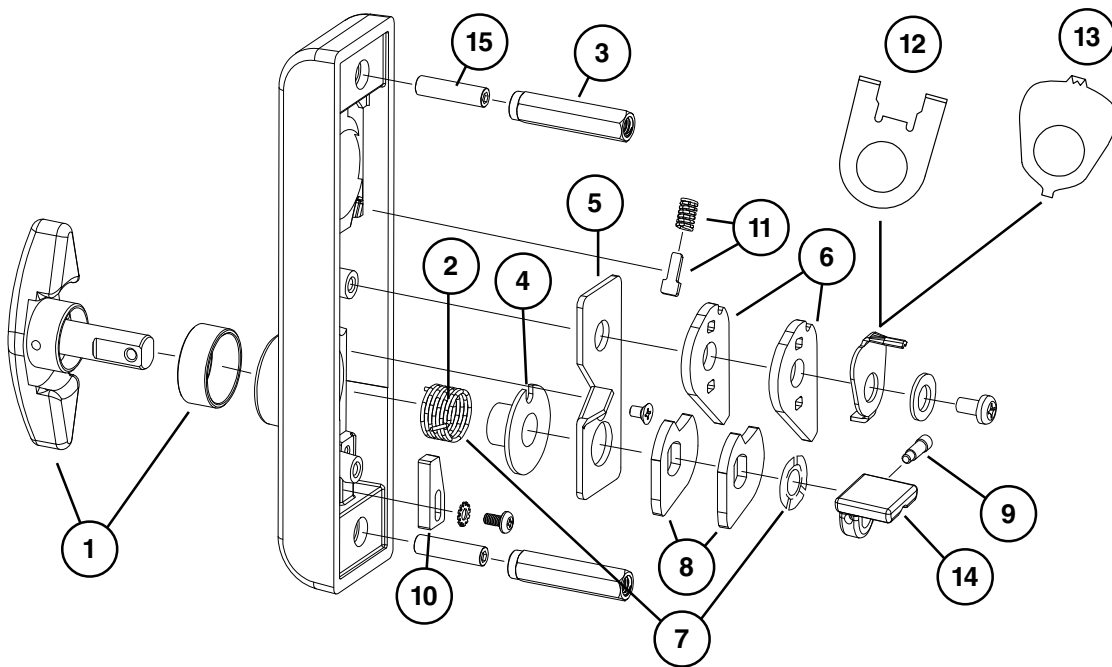
X in "Finish" column designates finished items; finish must be specified when ordering.



374-T, 374-T-BE, 376-T, 376-T-BE, 376-T-WDC & 376-T-WDC-BE CONTROL

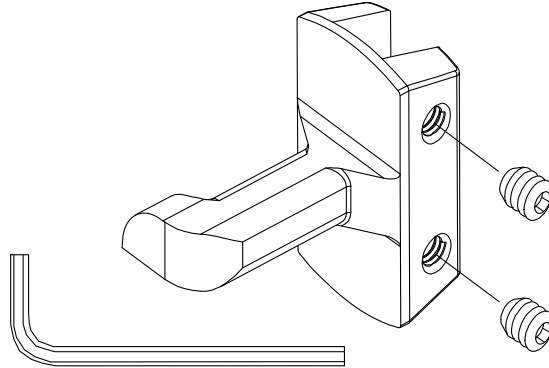
Item No.	Quantity	Part No.	Description	Finish
1	1	050592	Thumbturn Kit	X
2	1	090092	Lever Control Spring RHR Pkg/4	
3	1	090091	Lever Control Spring LHR Pkg/4	
3	2	090096	Mounting Stud Pkg/2	
4	1	050621	Washer - Bearing	
5	1	050597	Backplate RHR	
5	1	050596	BackplateLHR	
6	2	090090	Cylinder Lock Pkg/2 (Not used on BE)	
7	1	050616	Thumbturn Control Spring & Washer Kit	
8	2	050602	Lever Shaft Lock	
9	1	090097	Cam Retaining Screw Pkg/4	
10	1	050576	Lever Adjustment Block	
11	1	050607	Dogging Spring and Guide Kit (Not used on BE)	
12	1	050599	NL Cylinder Plate (Not used on BE)	
13	1	050600	TL Cylinder Plate (Not used on BE)	
14	1	050606	Cam - Vertical Rod	
15	2	963584	Threaded Studs	

X in "Finish" column designates finished items; finish must be specified when ordering.



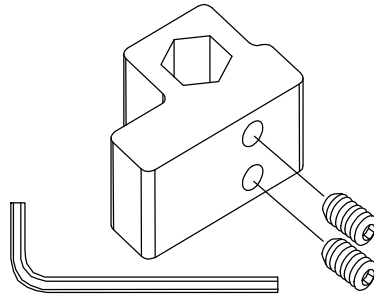
374-T & 374-T-BE ROD MEMBER KITS

Item No.	Quantity	Part No.	Description	Finish
16	1	109366	374-T Rod Member Kit 1-3/4" Dr.	X
16	1	109367	374-T Rod Member Kit 2-1/4" Dr.	X



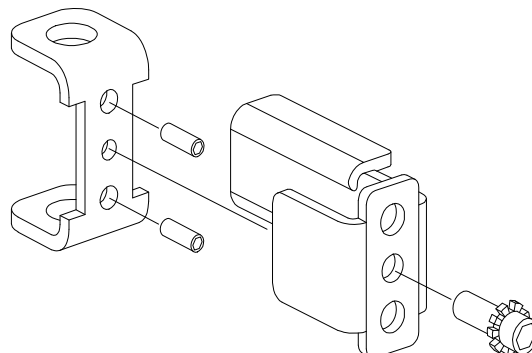
376-T & 376-T-BE ROD MEMBER KITS

Item No.	Quantity	Part No.	Description	Finish
17	1	109112	376-T Rod Member Kit 1-3/4" Dr.	X
17	1	109115	376-T Rod Member Kit 2-1/4" Dr.	X



376-T-WDC & 376-T-WDC-BE ROD MEMBER KITS

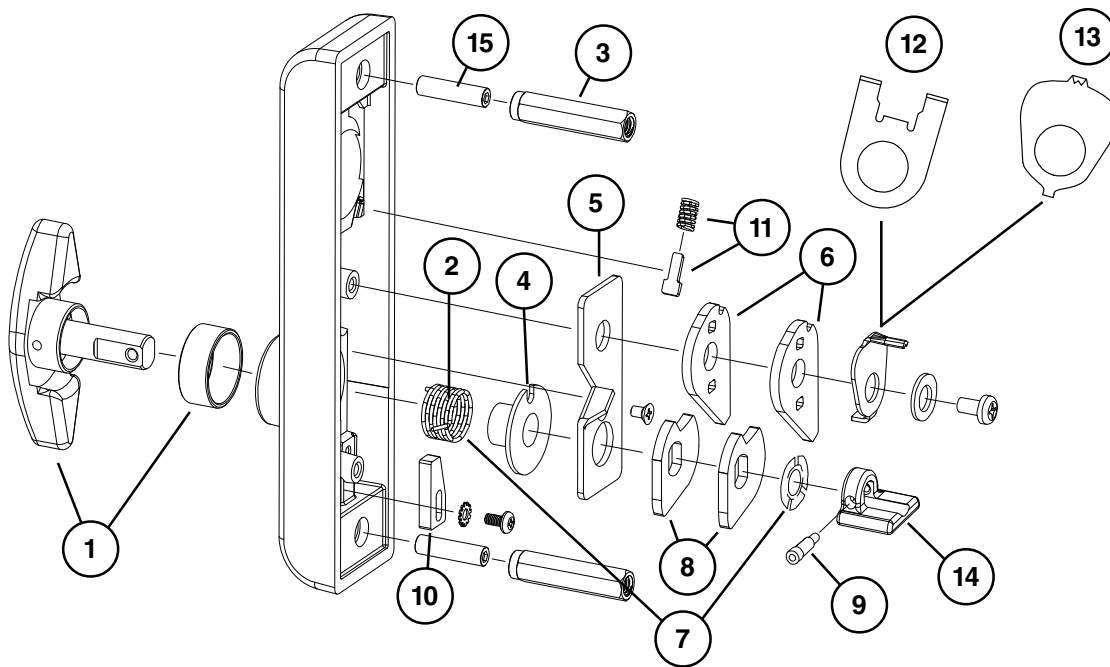
Item No.	Quantity	Part No.	Description	Finish
18	1	900558	376-T-WDC Rod Member Kit 1-3/4" Dr.	
18	1	900559	376-T -WDC Rod Member Kit 2-1/4" Dr.	



377-T & 377-T-BE CONTROL

Item No.	Quantity	Part No.	Description	Finish
1	1	050592	Thumbturn Kit	X
2	1	090092	Lever Control Spring RHR Pkg/4	
2	1	090091	Lever Control Spring LHR Pkg/4	
3	2	090096	Mounting Stud Pkg/2	
4	1	050621	Washer - Bearing	
5	1	050597	Backplate RHR	
5	1	050596	BackplateLHR	
6	2	090090	Cylinder Lock Pkg/2 (Not used on BE)	
7	1	050616	Thumbturn Control Spring & Washer Kit	
8	2	050602	Lever Shaft Lock	
9	1	090097	Cam Retaining Screw Pkg/4	
10	1	050576	Lever Adjustment Block	
11	1	050607	Dogging Spring and Guide Kit (Not used on BE)	
12	1	050599	NL Cylinder Plate (Not used on BE)	
13	1	050600	TL Cylinder Plate (Not used on BE)	
14	1	050606	Cam - Vertical Rod	
15	2	963584	Threaded Studs	

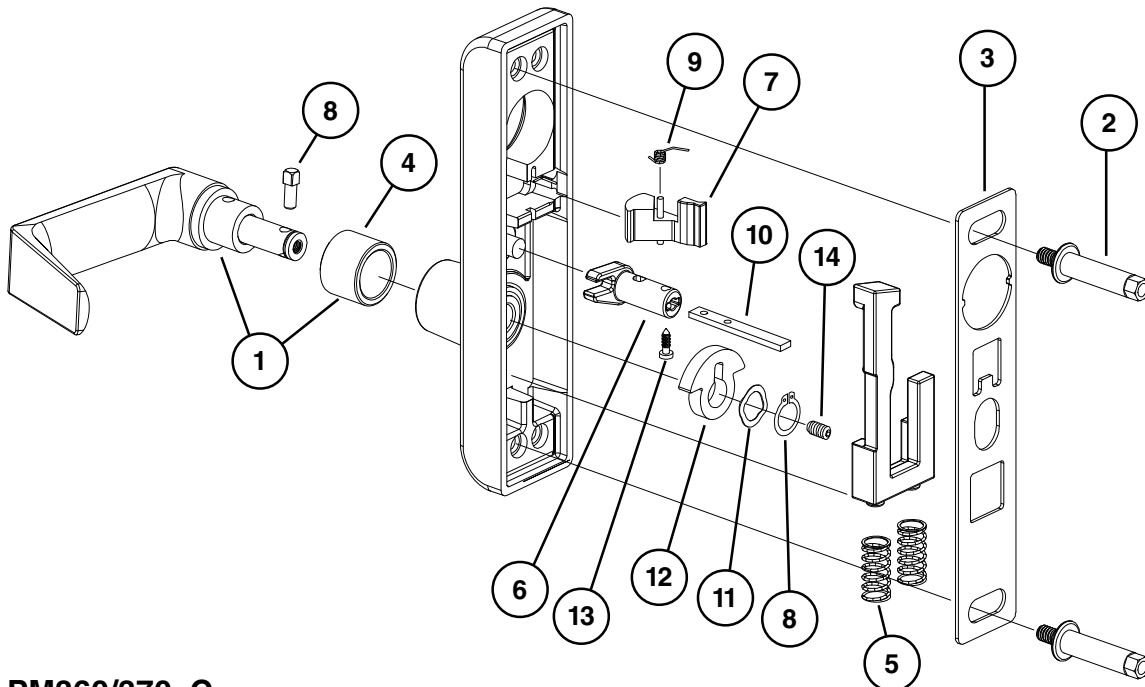
X in "Finish" column designates finished items; finish must be specified when ordering.



360-L & 360-L-BE CONTROL

Item No.	Quantity	Part No.	Description	Finish
1	1	050001	#01 Lever Kit	X
1	1	050002	#02 Lever Kit	X
1	1	050003	#03 Lever Kit	X
1	1	050008	#05 Lever Kit	X
1	1	050006	#06 Lever Kit	X
1	1	050007	#07 Lever Kit	X
1	1	050012	#12 Lever RHR Kit	X
1	1	050013	#12 Lever LHR Kit	X
1	1	050009	#16 Lever Kit	X
1	1	050017	#17 Lever Kit	X
1	1	050010	#18 Lever Kit	X
2	2	090094	Mounting Stud Pkg/2	
3	1	050595	Backplate	
4	1	050579	Lever Bushing	
5	2	090093	Lever Return Spring Pkg/2	
6	1	050605	Cam - Output	
7	1	050608	Locking Member (Not used on BE)	
8	1	050611	Shear Pin Kit	
9	1	050615	Spring - Locking Torsion (Not used on BE)	
10	1	050587	Tailpiece	
11	1	090103	Washer - Wave Spring Pkg/10	
12	1	050604	Cam - Input	
13	1	090099	Pine Tree Clip Pkg/10	
14	1	090101	Socket Set Screw 10-32 x 1/4 Pkg/10	

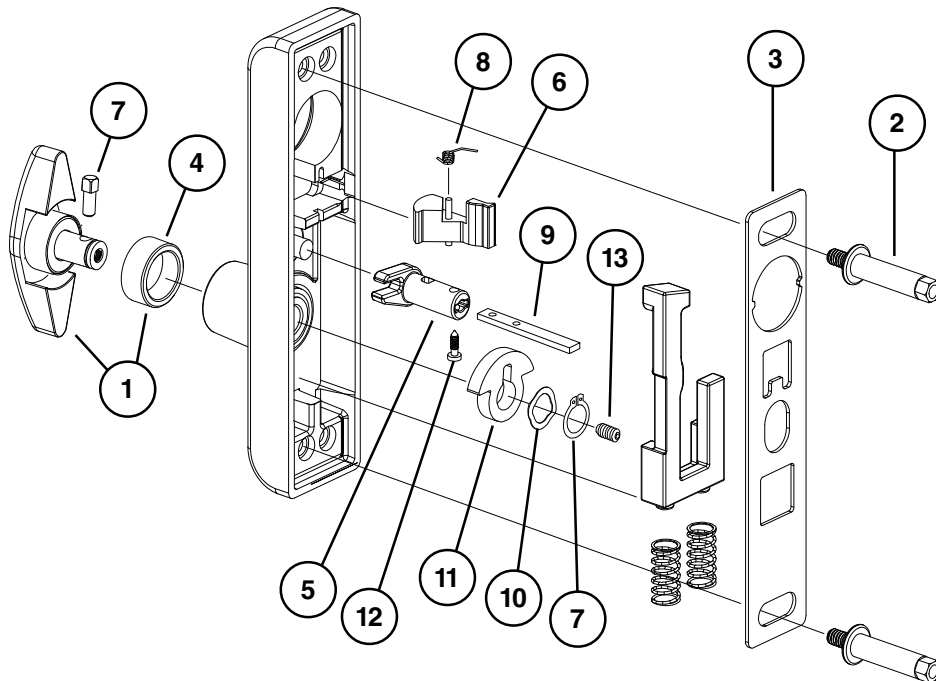
X in "Finish" column designates finished items; finish must be specified when ordering.



360-T & 360-T-BE CONTROL

Item No.	Quantity	Part No.	Description	Finish
1	1	050593	Thumbturn Kit	X
2	2	090094	Mounting Stud Pkg/2	
3	1	050595	Backplate	
4	1	050579	Lever Bushing	
5	1	050605	Cam - Output	
6	1	050608	Locking Member (Not used on BE)	
7	1	050611	Shear Pin Kit	
8	1	050615	Spring - Locking Torsion (Not used on BE)	
9	1	050587	Tailpiece	
10	1	090103	Washer - Wave Spring Pkg/10	
11	1	050604	Cam - Input	
12	1	090099	Pine Tree Clip Pkg/10	
13	1	090101	Socket Set Screw 10-32 x 1/4 Pkg/10	

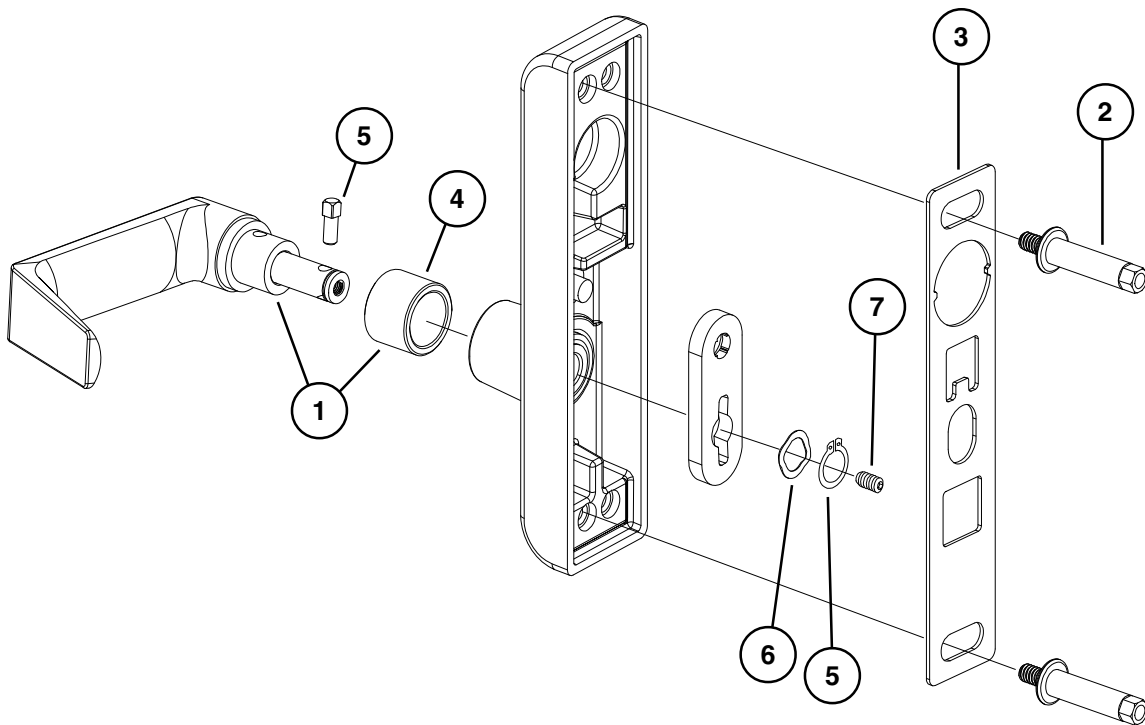
X in "Finish" column designates finished items; finish must be specified when ordering.



360-L-DT CONTROL

Item No.	Quantity	Part No.	Description	Finish
1	1	050001	#01 Lever Kit	X
1	1	050002	#02 Lever Kit	X
1	1	050003	#03 Lever Kit	X
1	1	050008	#05 Lever Kit	X
1	1	050006	#06 Lever Kit	X
1	1	050007	#07 Lever Kit	X
1	1	050012	#12 Lever RHR Kit	X
1	1	050013	#12 Lever LHR Kit	X
1	1	050009	#16 Lever Kit	X
1	1	050017	#17 Lever Kit	X
1	1	050010	#18 Lever Kit	X
2	2	090094	Mounting Stud Pkg/2	
3	1	050595	Backplate	
4	1	050579	Lever Bushing	
5	1	050611	Shear Pin Kit	
6	1	090103	Washer - Wave Spring Pkg/10	
7	1	090101	Socket Set Screw 10-32 x 1/4 Pkg/10	

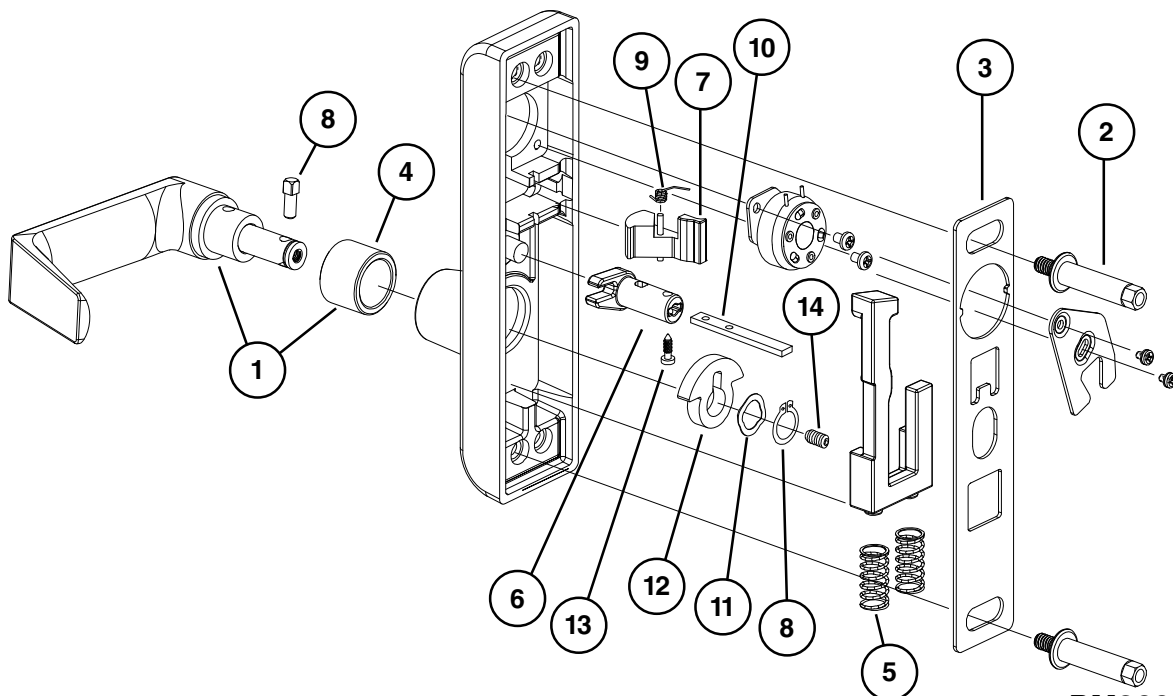
X in "Finish" column designates finished items; finish must be specified when ordering.



E360-L-BE CONTROL

Item No.	Quantity	Part No.	Description	Finish
1	1	050001	#01 Lever Kit	X
1	1	050002	#02 Lever Kit	X
1	1	050003	#03 Lever Kit	X
1	1	050008	#05 Lever Kit	X
1	1	050006	#06 Lever Kit	X
1	1	050007	#07 Lever Kit	X
1	1	050012	#12 Lever RHR Kit	X
1	1	050013	#12 Lever LHR Kit	X
1	1	050009	#16 Lever Kit	X
1	1	050017	#17 Lever Kit	X
1	1	050010	#18 Lever Kit	X
2	2	090094	Mounting Stud Pkg/2	
3	1	050595	Backplate	
4	1	050579	Lever Bushing	
5	2	090093	Lever Return Spring Pkg/2	
6	1	050605	Cam - Output	
7	1	050608	Locking Member (Not used on BE)	
8	1	050611	Shear Pin Kit	
9	1	050615	Spring - Locking Torsion (Not used on BE)	
10	1	050587	Tailpiece	
11	1	090103	Washer - Wave Spring Pkg/10	
12	1	050604	Cam - Input	
13	1	090099	Pine Tree Clip Pkg/10	
14	1	090101	Socket Set Screw 10-32 x 1/4 Pkg/10	

X in "Finish" column designates finished items; finish must be specified when ordering.

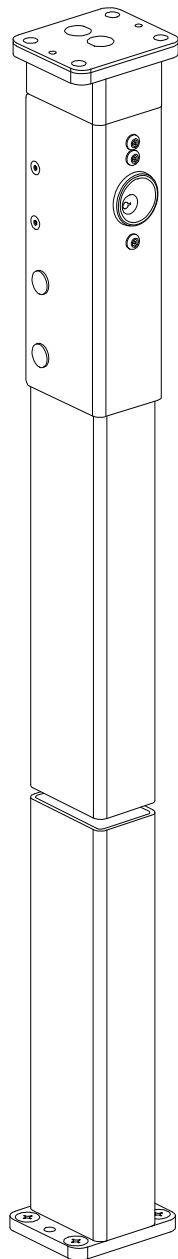


VON DUPRIN®

PARTS MANUAL

JULY 2009

54 SERIES MULLIONS



PM54_A
VD-5559

IR Ingersoll Rand
Security Technologies

Copyright © 2009 Ingersoll-Rand. All rights reserved.

INDEX

General Information

Introduction	3
How to Order	3
Part Number Changes	3
54 Series Mullions Finishes	3

54 Series Mullions Parts

1654	4
4954	4
9954	6
5654	8
5754	8
4754	10
4854	10
9854	12
KR1654	14
KR4954	14
KR9854	16
KR9954	16
KR54 Retrofit Kit	18
KR54-F Retrofit Kit	19

INTRODUCTION

This manual contains a listing of replaceable parts and assemblies for the 54 Series Mullions.

HOW TO ORDER

Some parts are sold separately. Other items are available as part of a kit or multiple quantity package. For the best possible service when ordering replacement parts or assemblies, please provide the following information:

- Part number or assembly number
- Description
- Quantity needed
- Finish desired (if available finished)
- Date of original purchase (if known)

To find out the name of your local Von Duprin distributor or sales representative, contact:

Von Duprin Division
Ingersoll-Rand Company
2720 Tobey Drive
Indianapolis, Indiana 46219
Phone: (800) 999-0408
Fax: (800) 999-0328

PART NUMBER CHANGES

This manual reflects the product as sold in July 2009. Because of changes to the product and/or manufacturing process, part numbers can change.

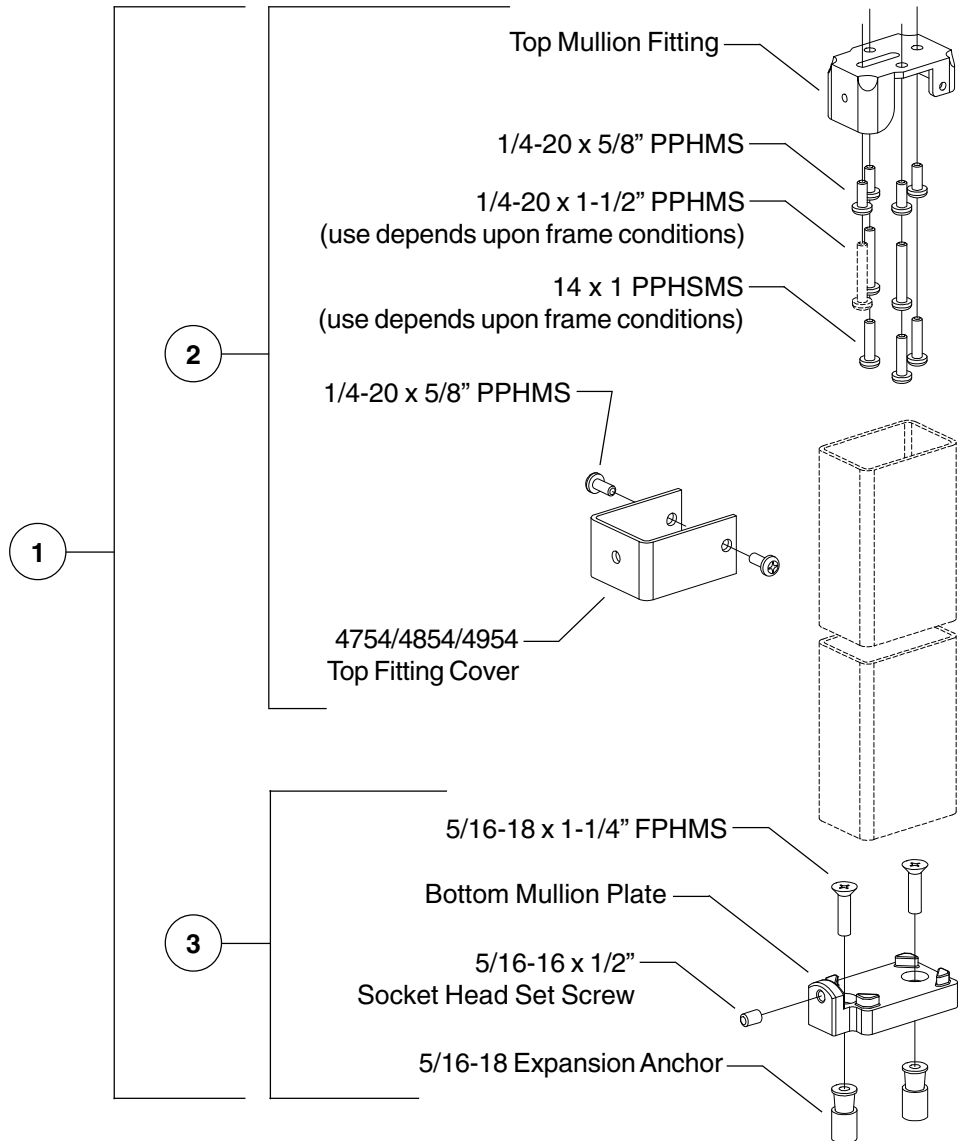
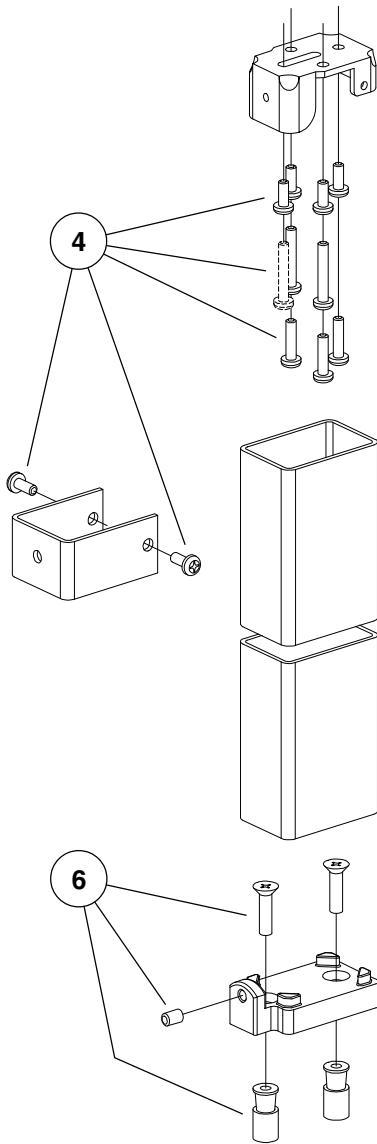
54 SERIES MULLIONS FINISHES

Mullion	US Number	BHMA Number	Color
5654 and 5754	US4	606	Brass, dull
	US10	612	Bronze, dull
	US28		
	313AN		
All others	SP28		
	SP313		

1654, 4954

Item No.	Part No.	Description	Quantity	Finish
1	050330	1654/4954 Fitting Set		X
		Top Mullion Fitting	1	
		4754/4854/4954 Top Fitting Cover	1	
		1/4-20 x 5/8" PPHMS	6	
		1/4-20 x 1-1/2" PPHMS	2	
		14 x 1" PPHSMS	3	
		Bottom Mullion Plate	1	
		5/16-18 x 1/2" Socket Head Set Screw	1	
		5/16-18 Expansion Anchor	2	
		5/16-18 x 1-1/4" FPHMS	2	
2	050335	4954 Top Fitting & Cover		X
		Top Mullion Fitting	1	
		4754/4854/4954 Top Fitting Cover	1	
		1/4-20 x 5/8" PPHMS	6	
		1/4-20 x 1-1/2" PPHMS	2	
		14 x 1" PPHSMS	3	
3	050390	4754/4854/4954 Bottom Fitting		X
		Bottom Mullion Plate	1	
		5/16-18 x 1/2" Socket Head Set Screw	1	
		5/16-18 Expansion Anchor	2	
		5/16-18 x 1-1/4" FPHMS	2	
4	900400	Mullion (Top) Screw Pkg.		
		1/4-20 x 5/8" PPHMS	6	
		1/4-20 x 1-1/2" PPHMS	2	
		14 x 1" PPHSMS	3	
5	961047	4754/4854/4954 Top Fitting Cover	1	X
6	900402	Mullion (Bottom) Screw Pkg.		
		5/16-18 x 1/2" Socket Head Set Screw	1	
		5/16-18 Expansion Anchor	2	
		5/16-18 x 1-1/4" FPHMS	2	

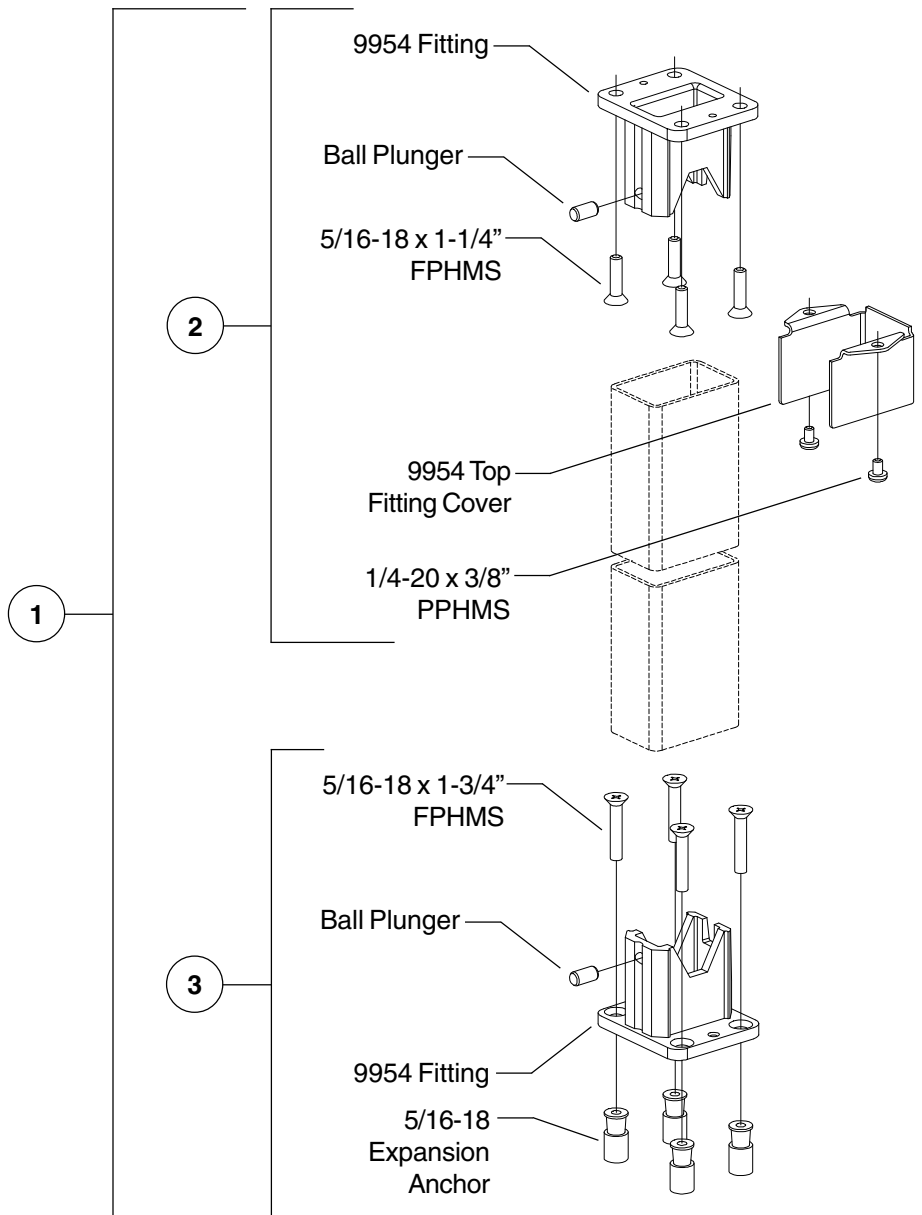
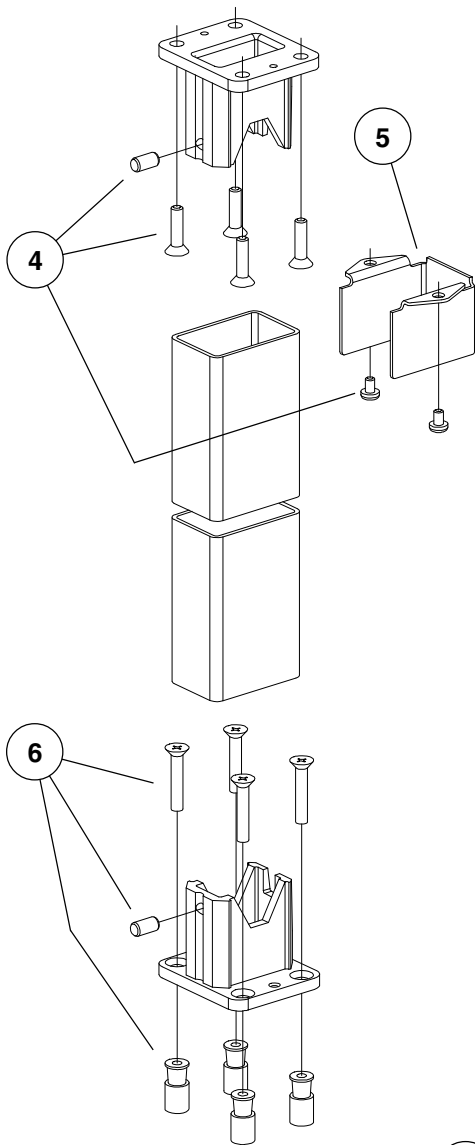
X in "Finish" column designates finished item; specify finish when ordering.



9954

Item No.	Part No.	Description	Quantity	Finish
1	050241	9954 Fitting Set		X
		9954 Fitting	1	
		9954 Top Fitting Cover	1	
		5/16-18 x 1-1/4" FPHMS	4	
		1/4-20 x 3/8" PPHMS	2	
		Ball Plunger	1	
		9954 Fitting	1	
		5/16-18 Expansion Anchor	4	
		5/16-18 x 1-3/4" FPHMS	4	
		Ball Plunger	1	
2	050391	9954 Top Fitting & Cover		X
		9954 Fitting	1	
		9954 Top Fitting Cover	1	
		5/16-18 x 1-1/4" FPHMS	4	
		1/4-20 x 3/8" PPHMS	2	
		Ball Plunger	1	
3	050392	9954 Bottom Fitting		X
		9954 Fitting	1	
		5/16-18 Expansion Anchor	4	
		5/16-18 x 1-3/4" FPHMS	4	
		Ball Plunger	1	
4	900413	9954 (Top) Screw Pkg.		
		5/16-18 x 1-1/4" FPHMS	4	
		1/4-20 x 3/8" PPHMS	2	
		Ball Plunger	1	
5	968645	9954 Top Fitting Cover		X
6	900402	9954 (Bottom) Screw Pkg.		
		5/16-18 Expansion Anchor	4	
		5/16-18 x 1-3/4" FPHMS	4	
		Ball Plunger	1	

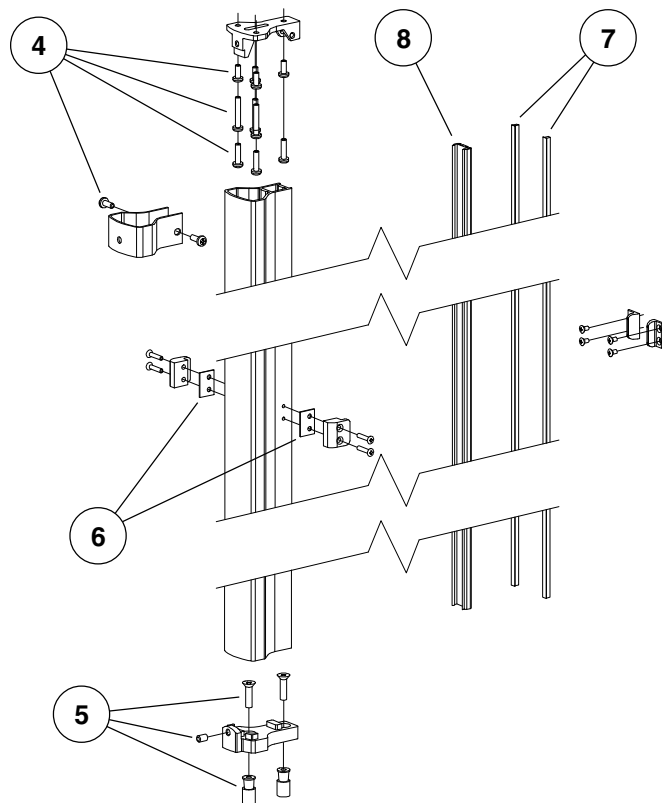
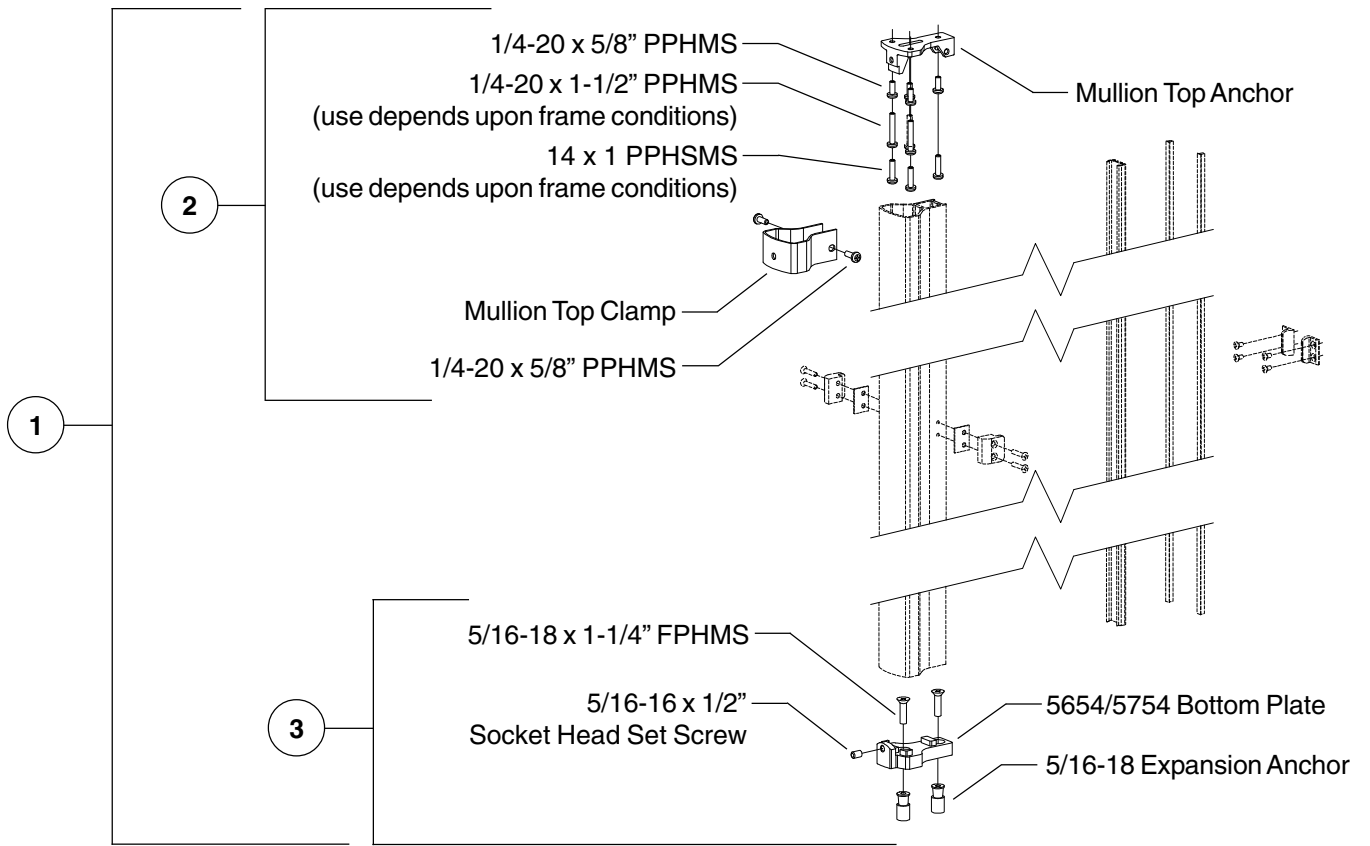
X in "Finish" column designates finished item; specify finish when ordering.



5654, 5754

Item No.	Part No.	Description	Quantity	Finish
1	050130	5654/5754 Fitting Set		X
		Mullion Top Anchor	1	
		Mullion Top Clamp	1	
		1/4-20 x 5/8" PPHMS	6	
		1/4-20 x 1-1/2" PPHMS	2	
		14 x 1" PPHSMS	3	
		5654/5754 Bottom Plate	1	
		5/16-18 x 1/2" Socket Head Set Screw	1	
		5/16-18 Expansion Anchor	2	
		5/16-18 x 1-1/4" FPHMS	2	
2	050135	5654/5754 Top Fitting & Cover		X
		Mullion Top Anchor	1	
		Mullion Top Clamp	1	
		1/4-20 x 5/8" PPHMS	6	
		1/4-20 x 1-1/2" PPHMS	2	
		14 x 1" PPHSMS	3	
3	050190	5654/5754 Bottom Fitting		X
		5654/5754 Bottom Plate	1	
		5/16-18 x 1/2" Socket Head Set Screw	1	
		5/16-18 Expansion Anchor	2	
		5/16-18 x 1-1/4" FPHMS	2	
4	900400	Mullion (Top) Screw Pkg.		
		1/4-20 x 5/8" PPHMS	6	
		1/4-20 x 1-1/2" PPHMS	2	
		14 x 1" PPHSMS	3	
5	900402	Mullion (Bottom) Screw Pkg.		
		5/16-18 x 1/2" Socket Head Set Screw	1	
		5/16-18 Expansion Anchor	2	
		5/16-18 x 1-1/4" FPHMS	2	
6	961530	Mullion Stabilizer Shim	1	
7	050580	Weatherstripping (10') Use 2 Per Mullion	1	
8	965712	5654 Mullion Edging - 7'	1	X
8	965713	5654 Mullion Edging - 8'	1	X
8	965714	5654 Mullion Edging - 10'	1	X

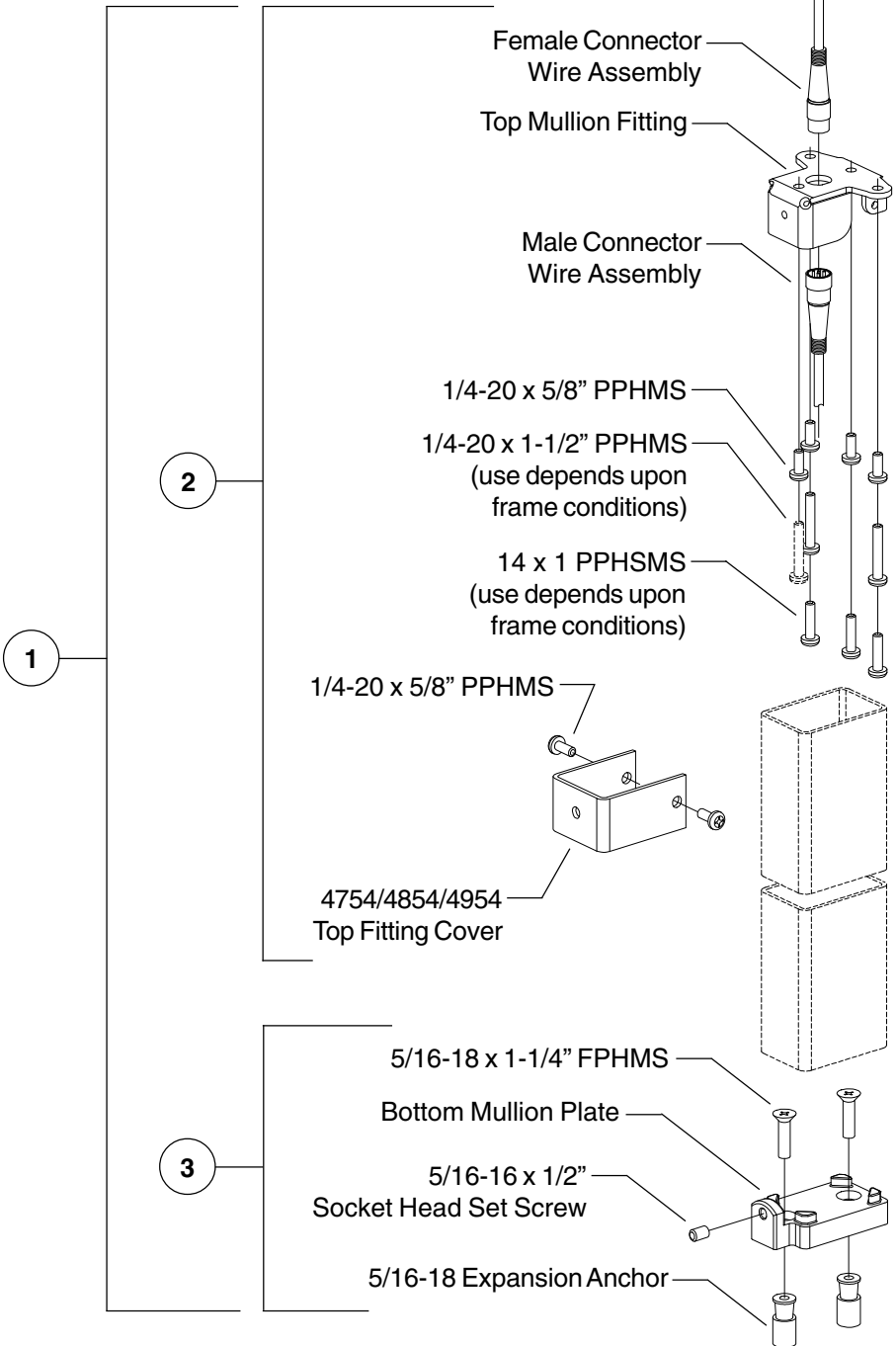
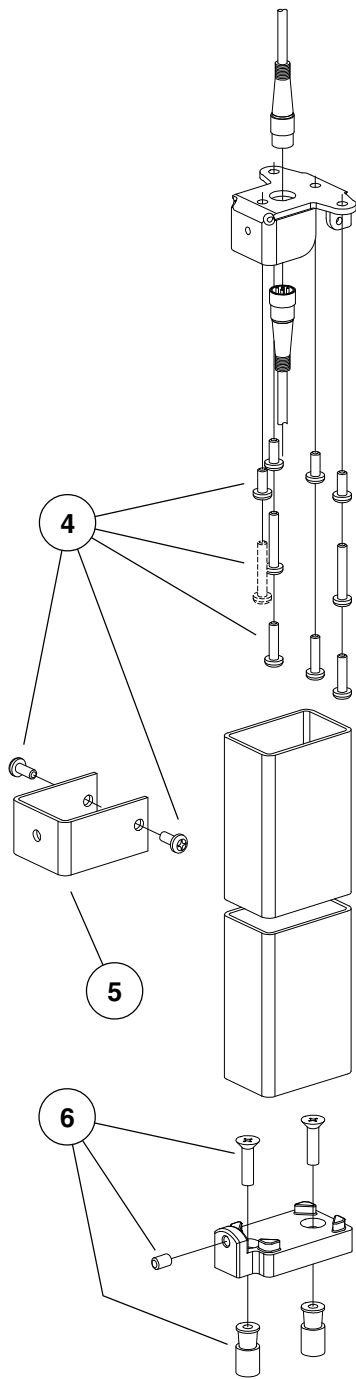
X in "Finish" column designates finished item; specify finish when ordering.



4754, 4854

Item No.	Part No.	Description	Quantity	Finish
1	050371	4754/4854 Fitting Set		X
		Male Connector Wire Assembly	1	
		Female Receptacle Wire Assembly	1	
		Top Mullion Fitting	1	
		Top Fitting Cover	1	
		1/4-20 x 5/8" PPHMS	6	
		1/4-20 x 1-1/2" PPHMS	2	
		14 x 1" PPHSMS	3	
		Bottom Mullion Plate	1	
		5/16-18 x 1/2" Socket Head Set Screw	1	
		5/16-18 Expansion Anchor	2	
		5/16-18 x 1-1/4" FPHMS	2	
2	050381	4754/4854 Top Electrical Fitting & Cover		X
		Male Connector Wire Assembly	1	
		Female Receptacle Wire Assembly	1	
		Top Mullion Fitting	1	
		Top Fitting Cover	1	
		1/4-20 x 5/8" PPHMS	6	
		1/4-20 x 1-1/2" PPHMS	2	
		14 x 1" PPHSMS	3	
3	050390	4754/4854/4954 Bottom Fitting		X
		Bottom Mullion Plate	1	
		5/16-18 x 1/2" Socket Head Set Screw	1	
		5/16-18 Expansion Anchor	2	
		5/16-18 x 1-1/4" FPHMS	2	
4	900400	Mullion (Top) Screw Pkg.		
		1/4-20 x 5/8" PPHMS	6	
		1/4-20 x 1-1/2" PPHMS	2	
		14 x 1" PPHSMS	3	
5	961047	4754/4854/4954 Top Fitting Cover		X
6	900402	Mullion (Bottom) Screw Pkg.		
		5/16-18 x 1/2" Socket Head Set Screw	1	
		5/16-18 Expansion Anchor	2	
		5/16-18 x 1-1/4" FPHMS	2	

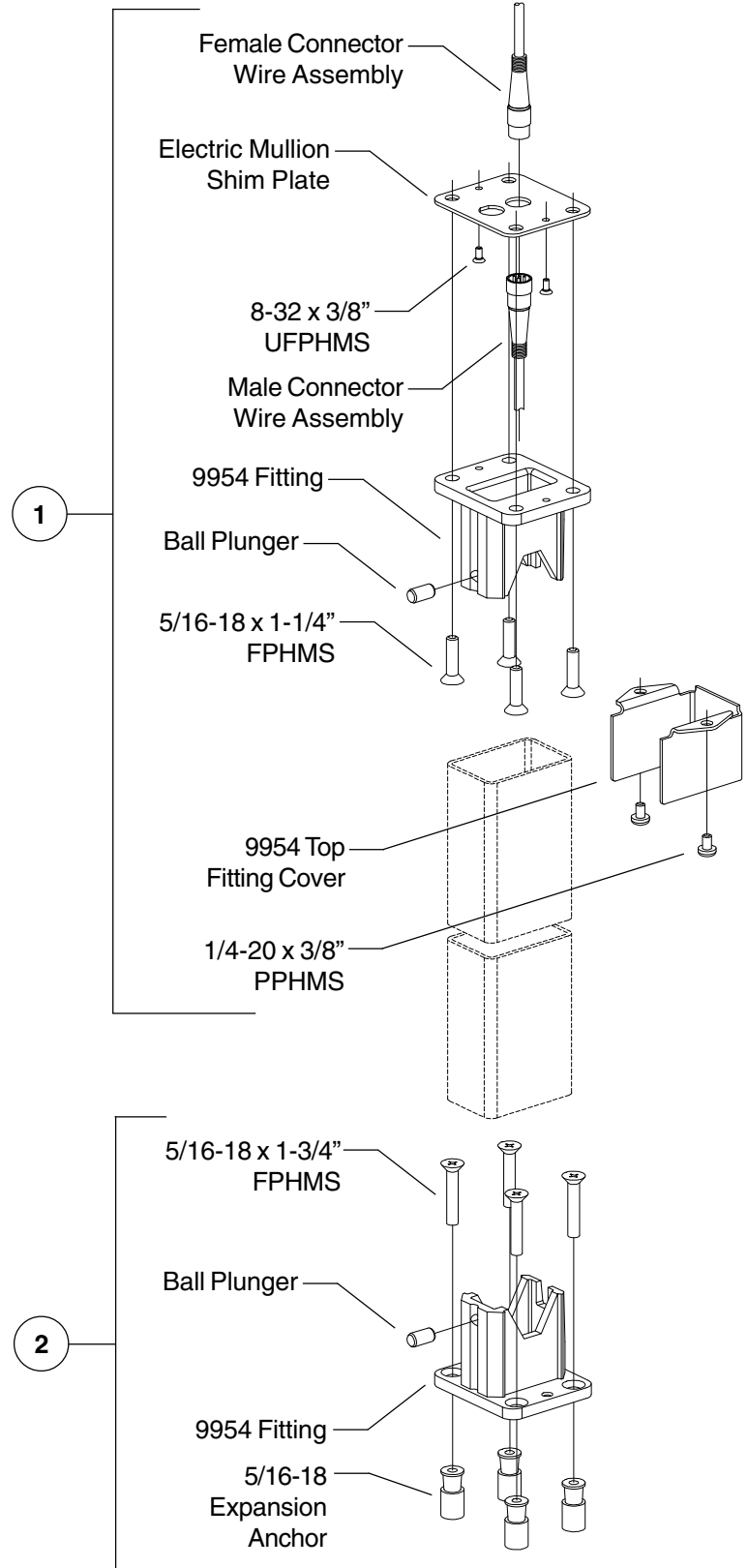
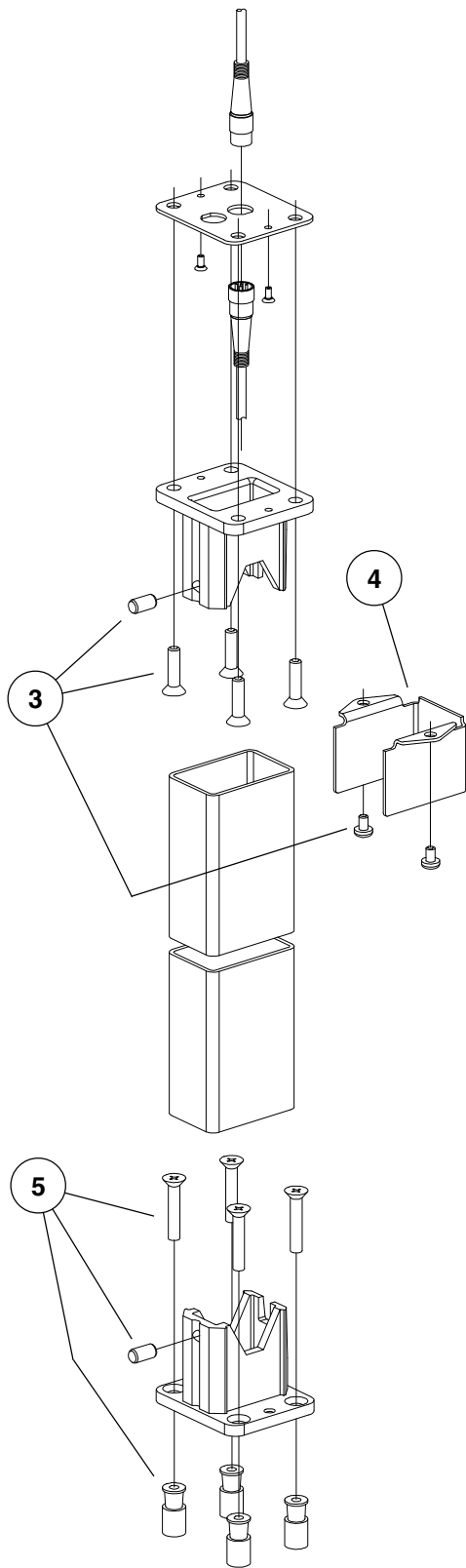
X in "Finish" column designates finished item; specify finish when ordering.



9854

Item No.	Part No.	Description	Quantity	Finish
1	050383	9854 Top Mullion Fitting Kit		X
		Male Connector Wire Assembly	1	
		Female Receptacle Wire Assembly	1	
		Electric Mullion Shim Plate	1	
		9954 Fitting	1	
		9954 Top Fitting Cover	1	
		5/16-18 x 1-1/4" FPHMS	4	
		1/4-20 x 3/8" PPHMS	2	
		8-32 x 3/8" UFPHMS	2	
Ball Plunger	1			
2	050392	9954 Bottom Fitting & Cover		X
		9954 Fitting	1	
		5/16-18 Expansion Anchor	4	
		5/16-18 x 1-3/4" FPHMS	4	
		Ball Plunger	1	
3	900413	9954 (Top) Screw Pkg.		
		5/16-18 x 1-1/4" FPHMS	4	
		1/4-20 x 3/8" PPHMS	2	
		Ball Plunger	1	
4	968645	9954 Top Fitting Cover		X
5	900402	9954 (Bottom) Screw Pkg.		
		5/16-18 Expansion Anchor	4	
		5/16-18 x 1-3/4" FPHMS	4	
		Ball Plunger	1	

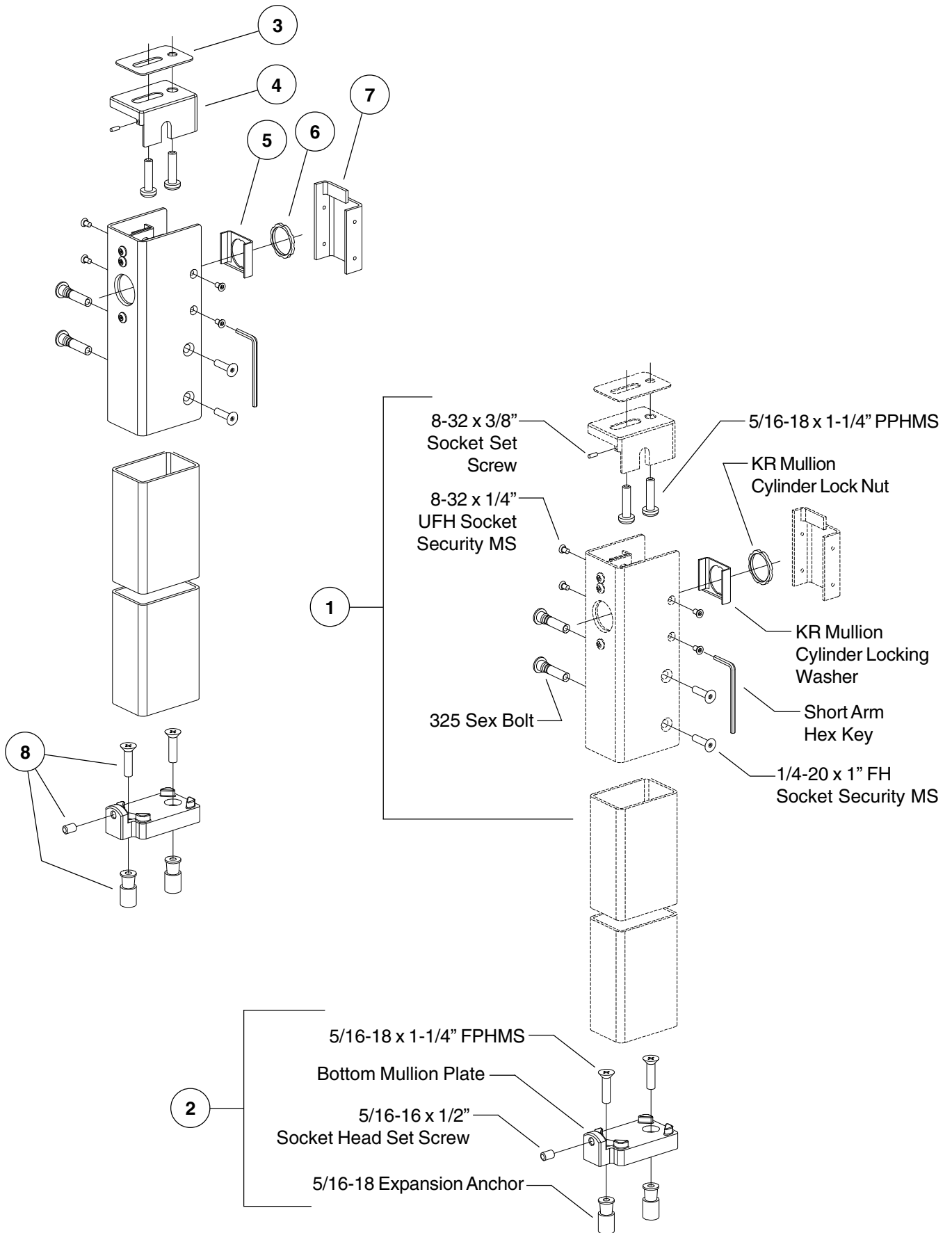
X in "Finish" column designates finished item; specify finish when ordering.



KR1654, KR4954

Item No.	Part No.	Description	Quantity	Finish
1	900409	KR1654/KR4954 Mullion Mounting Pkg.		X
		325 Sex Bolt	2	
		1/4-20 x 1 FH Socket Security MS	2	
		8-32 x 1/4" UFH Socket Security MS	4	
		Short Arm Hex Key	1	
		5/16-18 x 1-1/4" PPHMS	2	
		8-32 x 3/8" Socket Set Screw	1	
		KR Mullion Cylinder Locking Washer	1	
		Cylinder Locknut Nitched	1	
2	050390	4754/4854/4954 Bottom Fitting		X
		Bottom Mullion Plate	1	
		5/16-18 x 1/2" Socket Head Set Screw	1	
		5/16-18 Expansion Anchor	2	
		5/16-18 x 1-1/4" FPHMS	2	
3	971212	KR Shim Plate	1	
4	971340	KR1654/KR4954 Top Fitting	1	X
5	971328	KR Mullion Cylinder Locking Washer	1	
6	050526	KR Mullion Cylinder Lock Nut	1	
7	971187	KR Inner Mullion Back Cover Plate	1	X
8	900402	Mullion (Bottom) Screw Pkg.		
		5/16-18 x 1/2" Socket Head Set Screw	1	
		5/16-18 Expansion Anchor	2	
		5/16-18 x 1-1/4" FPHMS	2	

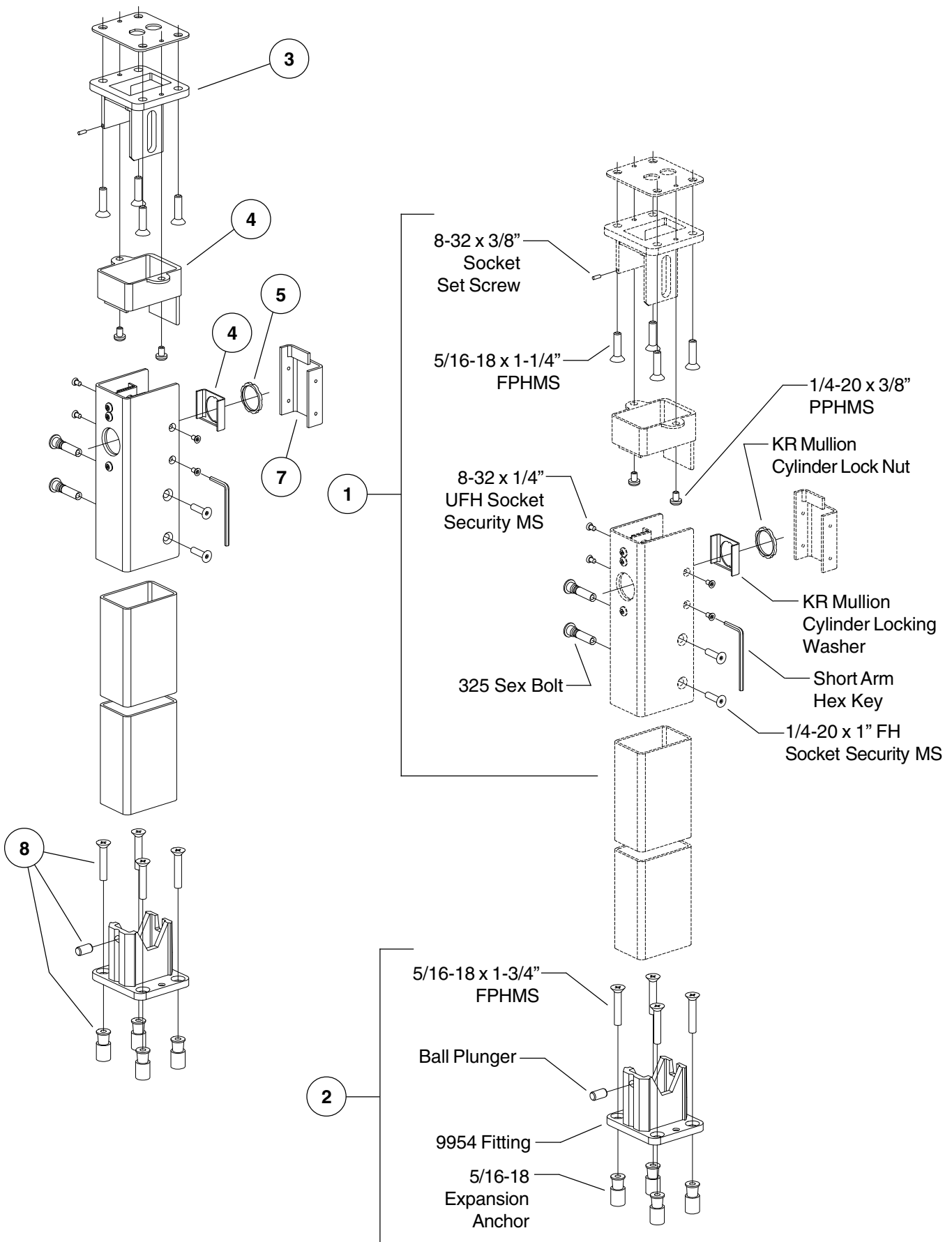
X in "Finish" column designates finished item; specify finish when ordering.



KR9854, KR9954

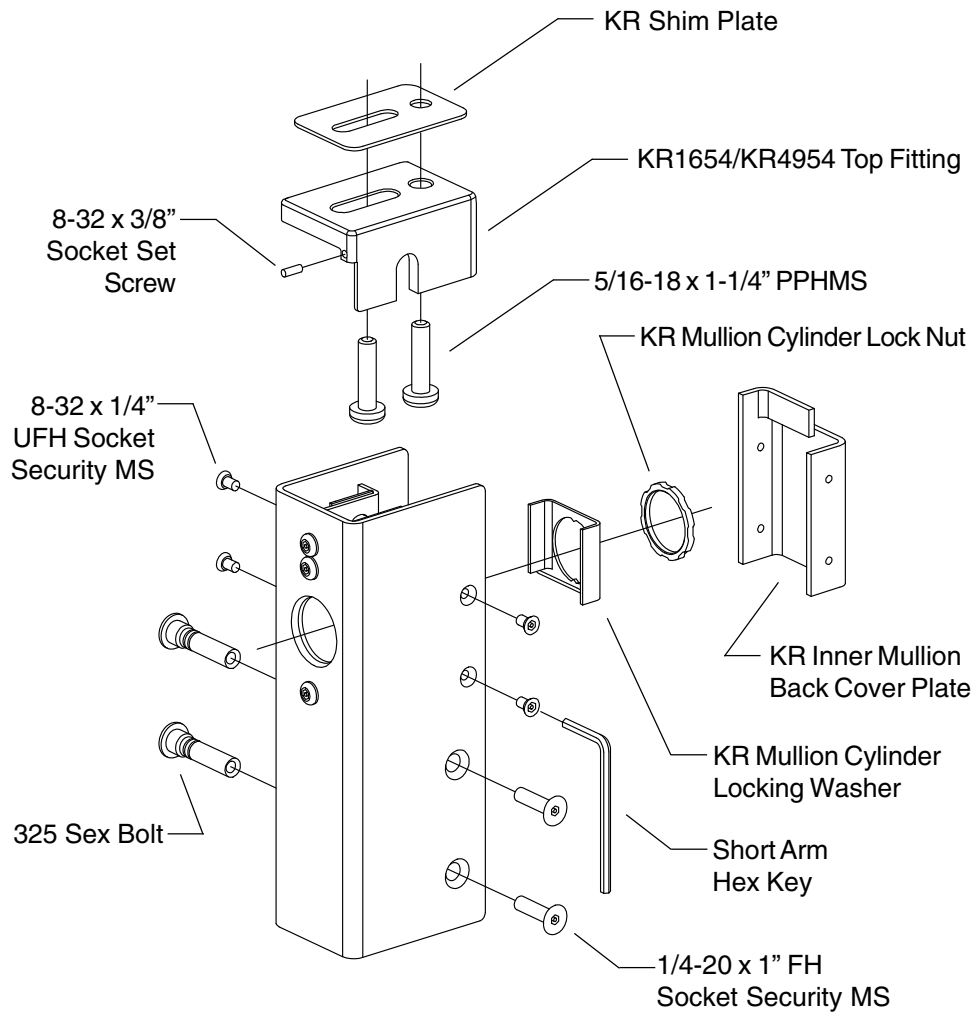
Item No.	Part No.	Description	Quantity	Finish
1	900410	KR9854/KR9954 Mullion Mounting Pkg.		X
		8-32 x 3/8" Socket Set Screw	1	
		5/16-18 x 1-1/4" FPHMS	4	
		8-32 x 1/4" UFH Socket Security MS	4	
		325 Sex Bolt	2	
		1/4-20 x 3/8" PPHMS	2	
		KR Mullion Cylinder Lock Nut	1	
		KR Mullion Cylinder Locking Washer	1	
		Short Arm Hex Key	1	
		1/4-20 x 1" FH Socket Security MS	2	
2	050392	9954 Bottom Fitting & Cover		X
		9954 Fitting	1	
		5/16-18 Expansion Anchor	4	
		5/16-18 x 1-3/4" FPHMS	4	
		Ball Plunger	1	
3	971316	KR9854/KR9954 Fusible Spacer	1	X
4	971312	KR9954 Top Fitting	1	X
5	971328	KR Mullion Cylinder Locking Washer	1	
6	050526	KR Mullion Cylinder Lock Nut	1	
7	971187	KR Inner Mullion Back Cover Plate	1	X
8	900402	9954 (Bottom) Screw Pkg.		
		5/16-18 Expansion Anchor	4	
		5/16-18 x 1-3/4" FPHMS	4	
		Ball Plunger	1	

X in "Finish" column designates finished item; specify finish when ordering.



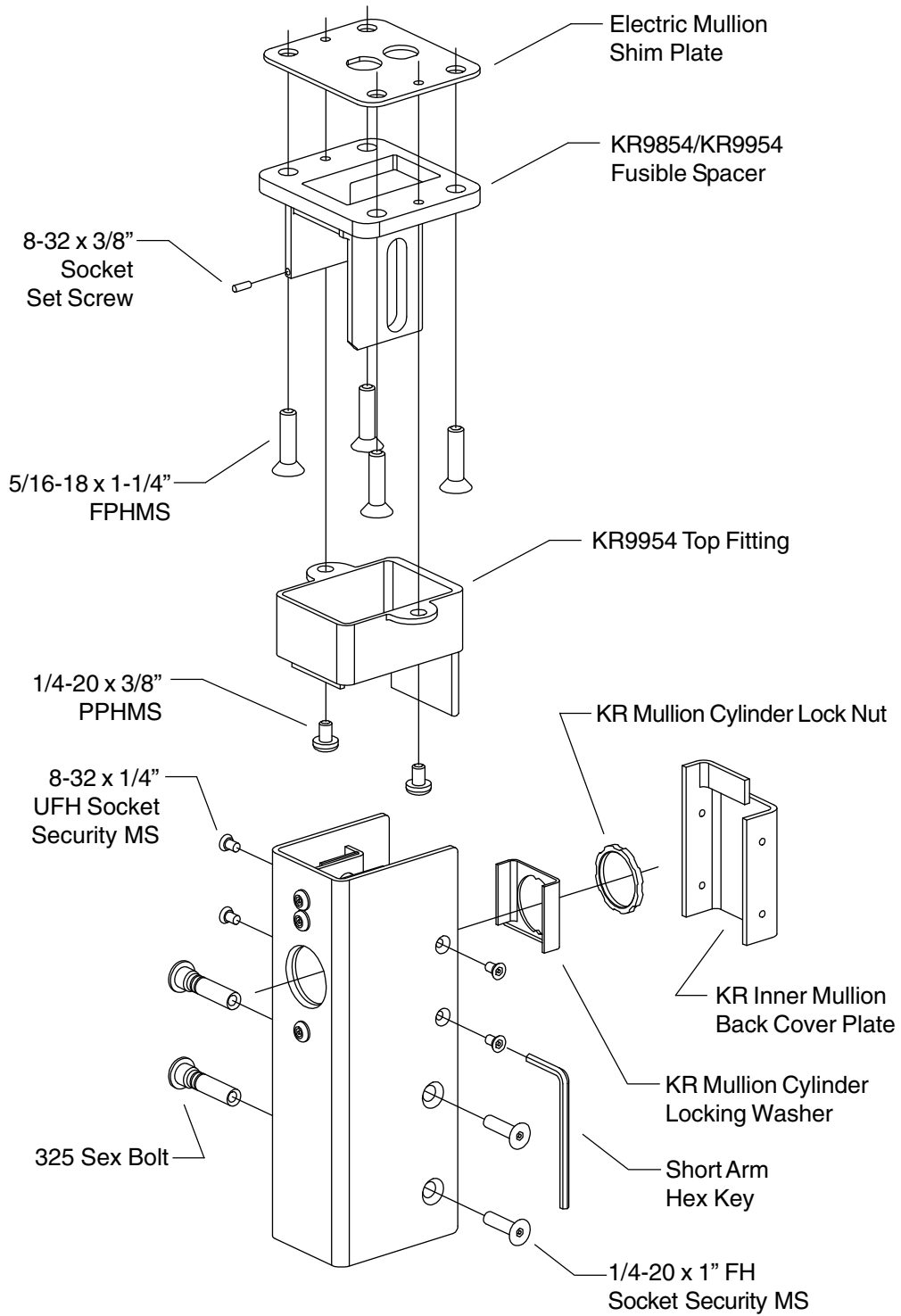
KR54 RETROFIT KIT

Specify finish when ordering



KR54-F RETROFIT KIT

Specify finish when ordering



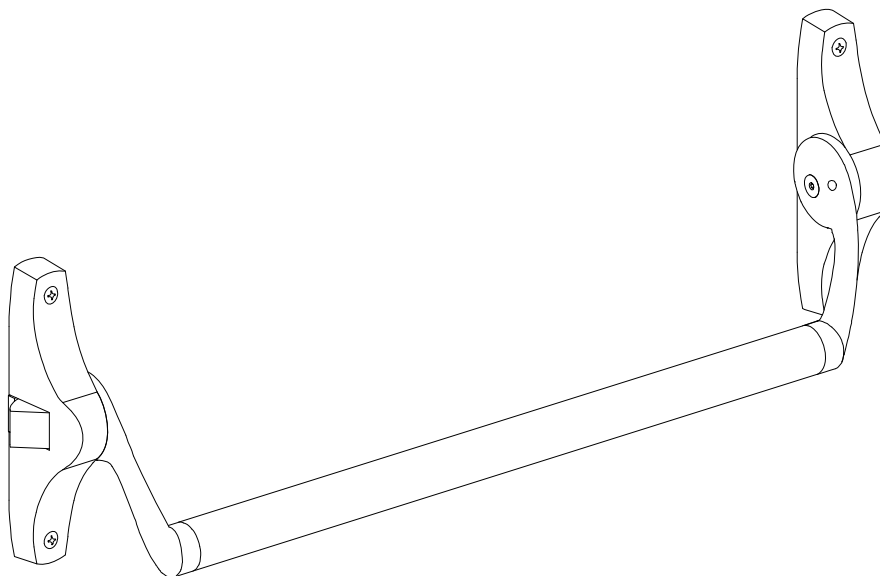
(This page intentionally left blank)

VON DUPRIN®

PARTS MANUAL

JULY 2009

55 SERIES EXIT DEVICES



PM55_A
VD-5555

IR Ingersoll Rand
Security Technologies

Copyright © 2009 Ingersoll-Rand. All rights reserved.

INDEX

General Information

Introduction	2
How to Order	2
Part Number Changes	2
55 Series Finishes	3
Outside Trim Functions	3
Strikes	4

55 Series Device Parts

Crossbars	5
Lever Arm Kits	6
Lever Arm Parts Packages	7
End Case Kit and End Case Parts	8
Center Case Kits	9
Center Case Parts: 55 Rim Device	10
Center Case Parts: 5547 Device	11
Center Case Parts: 5547-F, 5547WDC, 5575, 5575-F Devices	12
Vertical Latches	13
Vertical Rods: 5547 Device	14-15
Vertical Rods: 5547-F Device	14-15
Vertical Rods: 5547WDC Device	16

INTRODUCTION

This manual contains a listing of replaceable parts and assemblies for the 55 Series Panic and FEH Devices.

HOW TO ORDER

Some parts are sold separately. Other items are available as part of a kit or multiple quantity package. For the best possible service when ordering replacement parts or assemblies, please provide the following information:

- Part number or assembly number
- Description
- Quantity needed
- Finish desired (if available finished)
- Date of original purchase (if known)

To find out the name of your local Von Duprin distributor or sales representative, contact:

Von Duprin Division
Ingersoll-Rand Company
2720 Tobey Drive
Indianapolis, Indiana 46219
Phone: (800) 999-0408
Fax: (800) 999-0328

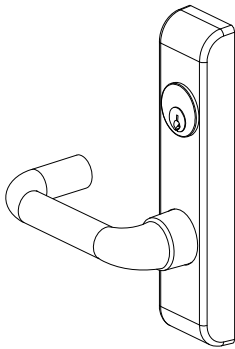
PART NUMBER CHANGES

This manual reflects the product as sold in July 2009. Because of changes to the product and/or manufacturing process, part numbers can change.

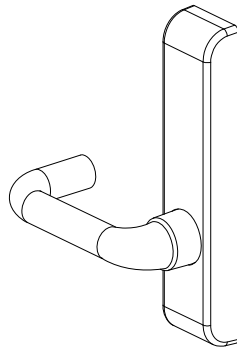
55 SERIES FINISHES

US Number	BHMA Number	Color
US3	605	Brass, polished
US4	606	Brass, dull
US10B	613	Brass, dull (oxidized)
US26	625	Chrome, polished
US26D	626	Chrome, dull
US10	612	Bronze, dull
SPBLK	693	Gloss black powder

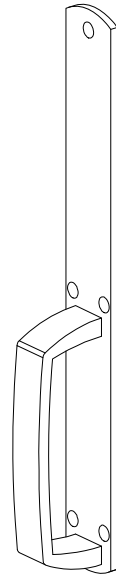
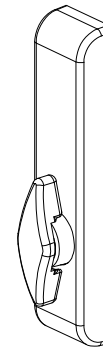
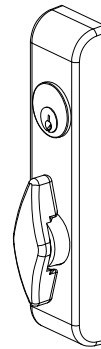
OUTSIDE TRIM FUNCTIONS



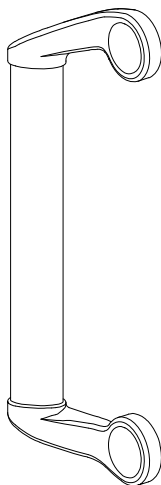
371L
for 5547-F



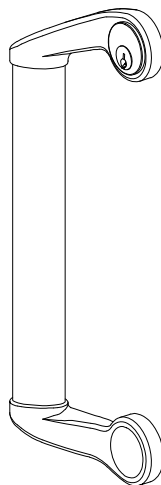
371L-BE
for 5547-F



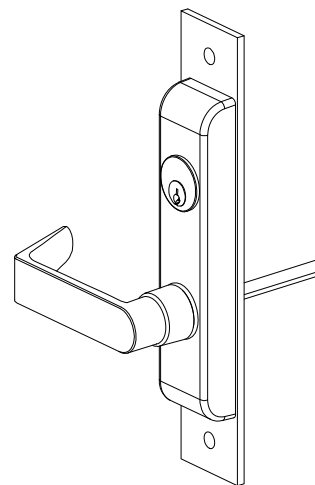
376T or 376T-BE x 609DT
for 5547, 5547-F



550DT
for 55 Rim, 5547, 5575

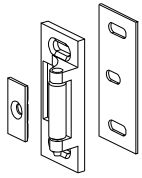


555NL/556NL
555 NL for 55 Rim, 5547, 5575, 5575-F
556NL for 5547WDC

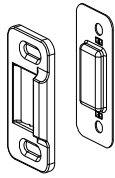


375L
for 5575, 5575-F

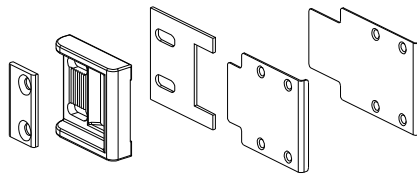
55 RIM STRIKES



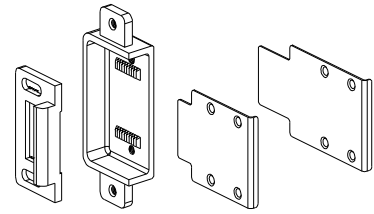
299
Single door;
double door
with mullion



1606
Single door;
double door
with mullion

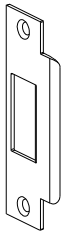


1409
Single door
(wear plates available for
1-3/4" and 2-1/4" thick doors)

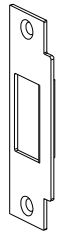


1410
Single door
(wear plates available for
1-3/4" and 2-1/4" thick doors)

5575/5575-F STRIKES

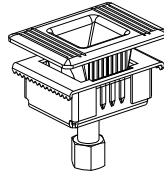


575
single door

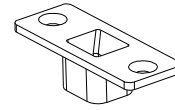


575-2
double door

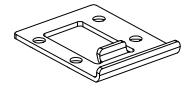
5547-F STRIKES



385A
(bottom)

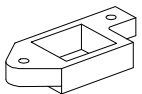


301L
(bottom)

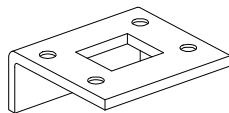


283 soffit
(top)

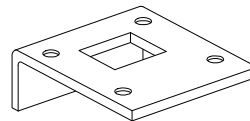
5547 STRIKES



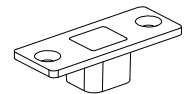
471U
(top)



472U
(1-3/4" thick doors; top)

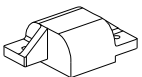


473U
(2-1/4" thick doors; top)

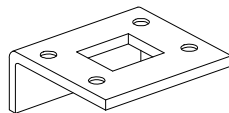


301L
(bottom)

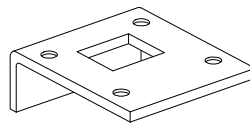
5547WDC/5547WDC-F STRIKES



338
(top)



472U
(1-3/4" thick doors; top)

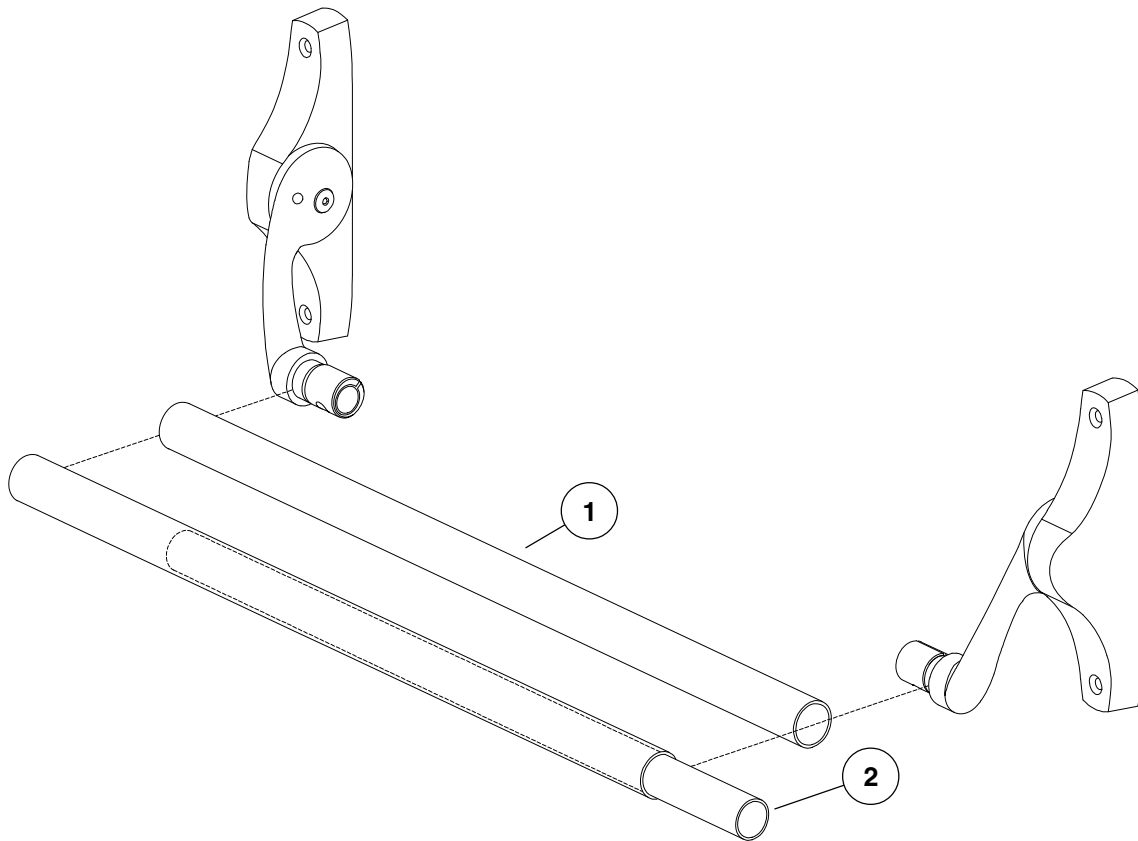


473U
(2-1/4" thick doors; top)

CROSSBARS

Item No.	Part No.	Description	Quantity	Finish
1	050004	42" Standard Crossbar Kit	1	X
1	050005	42" Knurled Crossbar Kit	1	X
2	050459	37" Crossbar Reinforcement Kit	1	

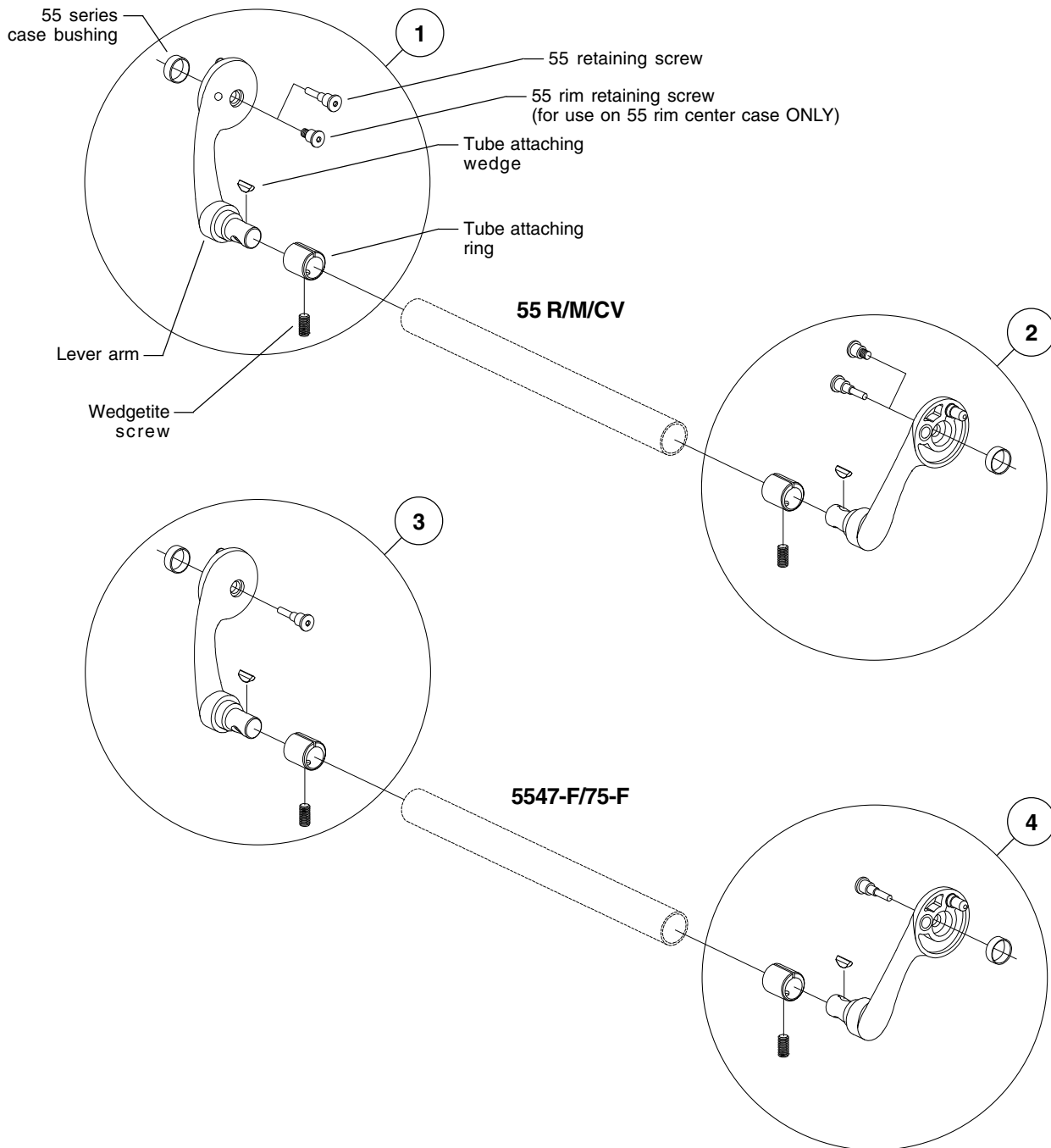
X in "Finish" column designates finished item; specify finish when ordering.



LEVER ARM KITS

Item No.	Part No.	Description	Quantity	Finish
1	050112	55 R/M/CV LH Lever Arm Kit	1	X
2	050136	55 R/M/CV RH Lever Arm Kit	1	X
3	050137	5547-F/75-F LH Lever Arm Kit	1	X
4	050139	5547-F/75-F RH Lever Arm Kit	1	X

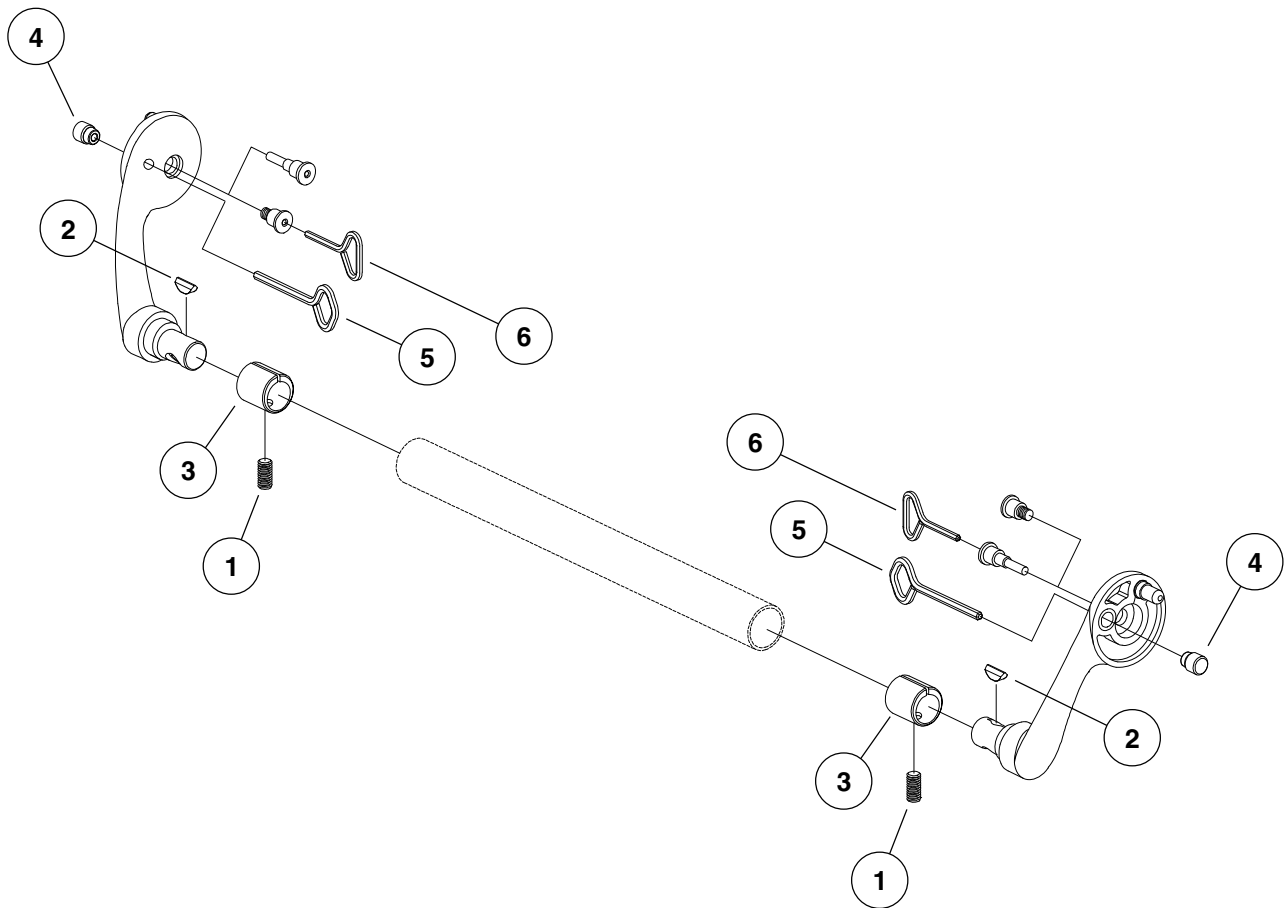
X in "Finish" column designates finished item; specify finish when ordering.



LEVER ARM PARTS PACKAGES

Item No.	Part No.	Description	Quantity	Finish
1	090008	Wedgetite Screw Pkg.	2	
1	090081	Wedgetite Screw Pkg.	30	
2	090020	Crossbar Tube Attaching Wedge Pkg.	2	
3	090021	Crossbar Tube Attaching Ring Pkg.	2	
4	090029	55 Dog Screw Pkg.	2	
4	090053	55 Dog Screw Pkg.	10	
5	090005	227 Dog Key 5/32" Pkg.	2	
5	090085	227 Dog Key 5/32" Pkg.	10	
6	103866	55 Series Special Hex Key (Reversing Pkg.)	1	

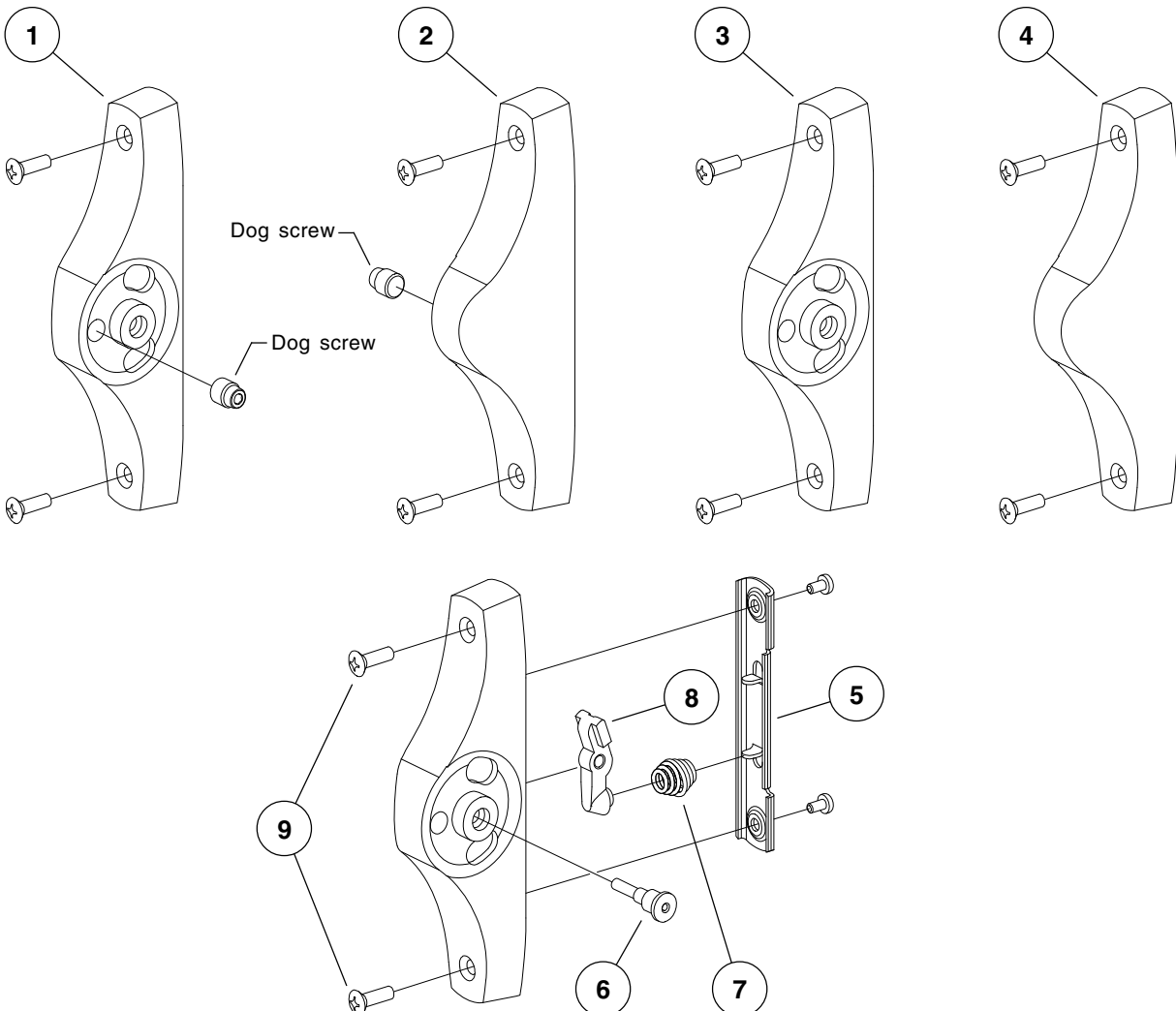
X in "Finish" column designates finished item; specify finish when ordering.



END CASE KITS AND END CASE PARTS

Item No.	Part No.	Description	Quantity	Finish
1	050196	55 Rim/5575/5547 RHR End Case Kit	1	X
2	050197	55 Rim/5575/5547 LHR End Case Kit	1	X
3	050198	5547-F/5575-F RHR End Case Kit	1	X
4	050199	5547-F/5575-F LHR End Case Kit	1	X
5	050364	55 Series End Case Backplate	1	
6	090051	55 Retaining Screw Pkg.	10	
6	090026	55 Retaining Screw Pkg.	2	
7	090052	55 End Case Spring Pkg.	20	
7	090028	55 End Case Spring Pkg.	4	
8	050366	55 End Case Spring Lever	1	
9	900507	55 Series End Case Mounting Pkg.	2	X

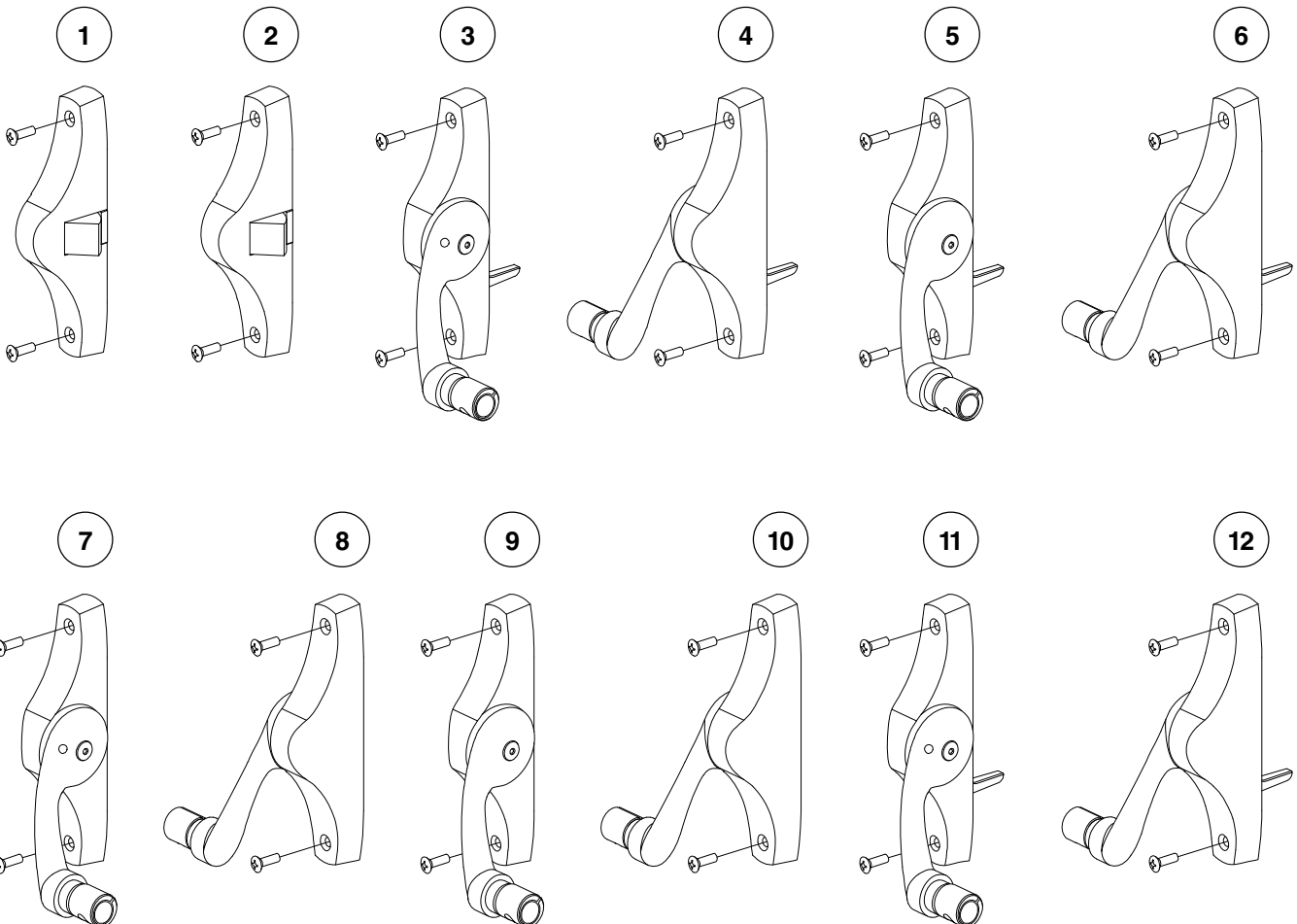
X in "Finish" column designates finished item; specify finish when ordering.



CENTER CASE KITS

Item No.	Part No.	Description	Quantity	Finish
1	050183	55EO Center Case Kit	1	X
2	050184	55NL Center Case Kit	1	X
3	050186	5575 Center case LHR Kit	1	X
4	050185	5575 Center Case RHR Kit	1	X
5	050188	5575-F Center Case LHR Kit	1	X
6	050187	5575-F Center Case RHR Kit	1	X
7	050191	5547 LHR Center Case Kit	1	X
8	050189	5547 RHR Center Case Kit	1	X
9	050193	5547-F LHR Center Case Kit	1	X
10	050192	5547-F RHR Center Case Kit	1	X
11	050195	5547WDC LHR Center Case Kit	1	X
12	050194	5547WDC RHR Center Case Kit	1	X

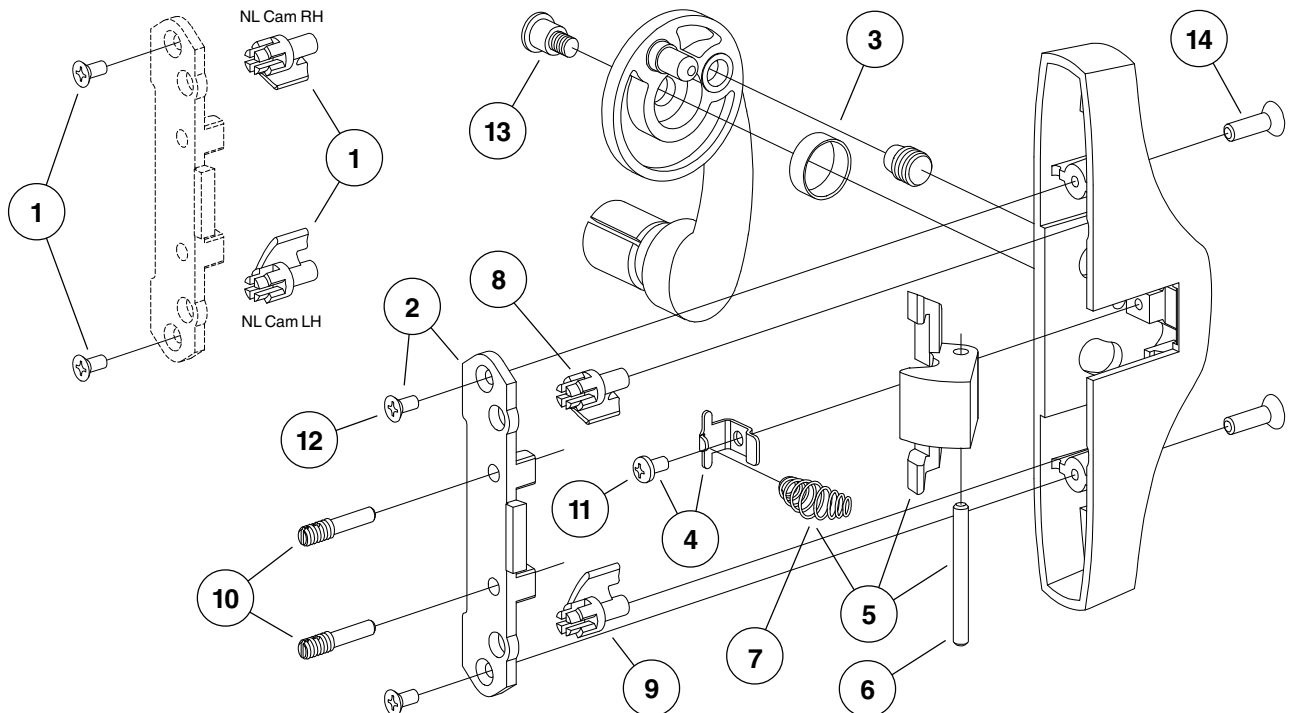
X in "Finish" column designates finished item; specify finish when ordering.



CENTER CASE PARTS: 55 RIM DEVICE

Item No.	Part No.	Description	Quantity	Finish
1	050105	55CK-NL Conversion Kit (order trim separate)	1	
2	050332	55 Rim Backplate w/Screws	1	X
3	050333	55 Case Bushing	1	
4	050334	55 Rim Spring Clip w/Screws	1	
5	050352	55 Rim Latch Bolt w/Axle and Spring	1	
6	050353	55 Rim Latch Bolt Axle	1	
7	050354	55 Rim Latch Bolt Spring	1	
8	050355	55NL Cam RH	1	
9	050356	55NL Cam LH	1	
10	090023	55 Axle Retainer Pkg.	2	
11	090024	55 Spring Anchor Screw Pkg.	10	
12	090025	55 Backplate Screw Pkg.	10	
13	090022	55 Rim Center Case Retaining Screw Pkg.	2	
13	090050	55 Rim Center Case Retaining Screw Pkg.	10	
14	900507	55 Rim Center Case Mounting Pkg.	1	X
		12-24 x 3/4" OPHMS	2	
14	900512	Rim 2" Dr SNB Mounting Pkg.	1	X
		12-24 x 1" OPHMS	4	

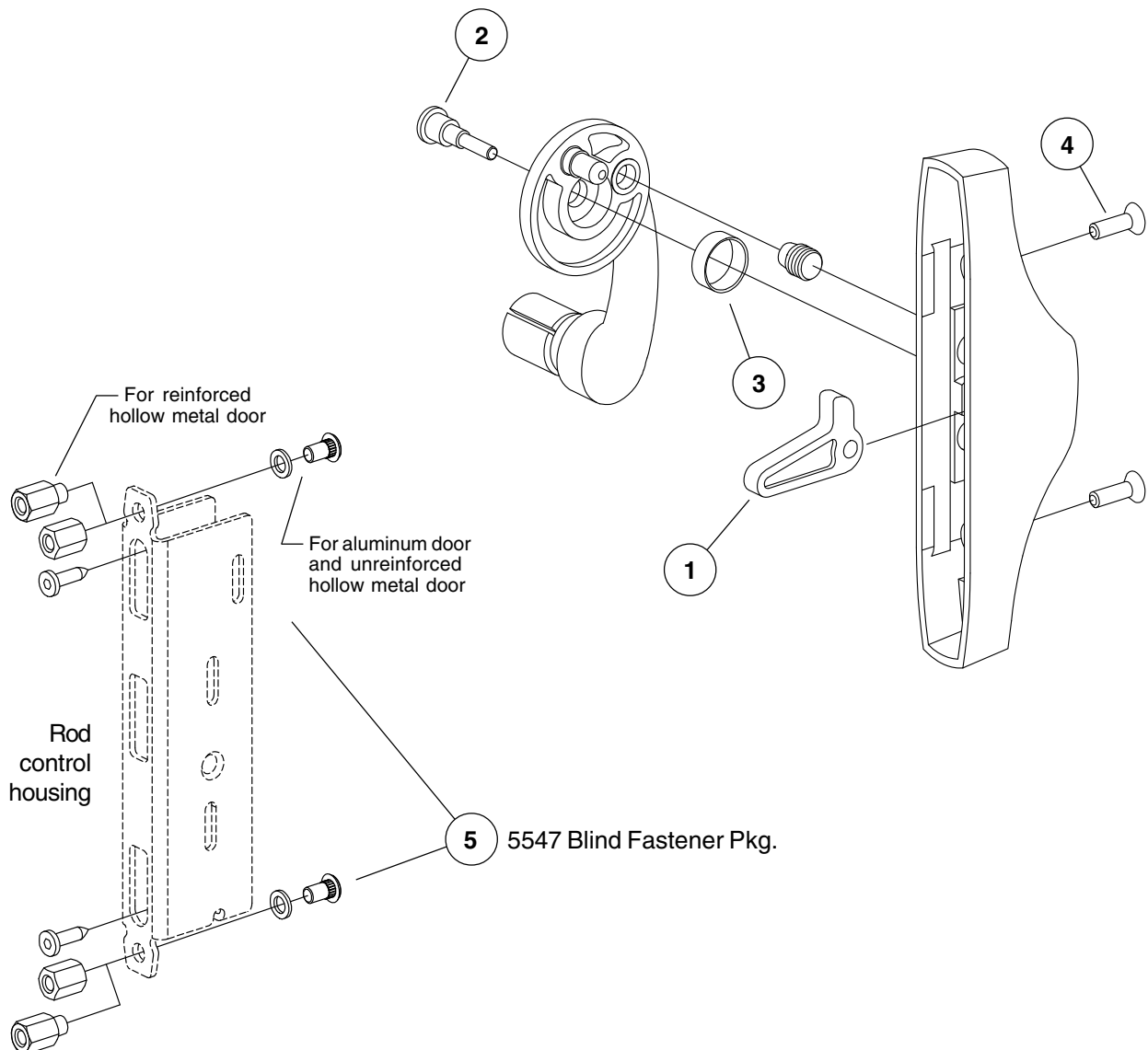
X in "Finish" column designates finished item; specify finish when ordering.



CENTER CASE PARTS: 5547 DEVICE

Item No.	Part No.	Description	Quantity	Finish
1	050357	5547 Control Lever	1	
2	090051	55 Retaining Screw Pkg.	10	
2	090026	55 Retaining Screw Pkg.	2	
3	050333	55 Case Bushing	1	
4	900508	5547 Center Case Mounting Pkg.		X
		12-24 x 1/2" OPHMS	2	
4	900514	5547 2" Dr SNB Mounting Pkg.		X
		12-24 x 1" OPHMS	2	
5	900539	5547 Blind Fastener Pkg.	1	

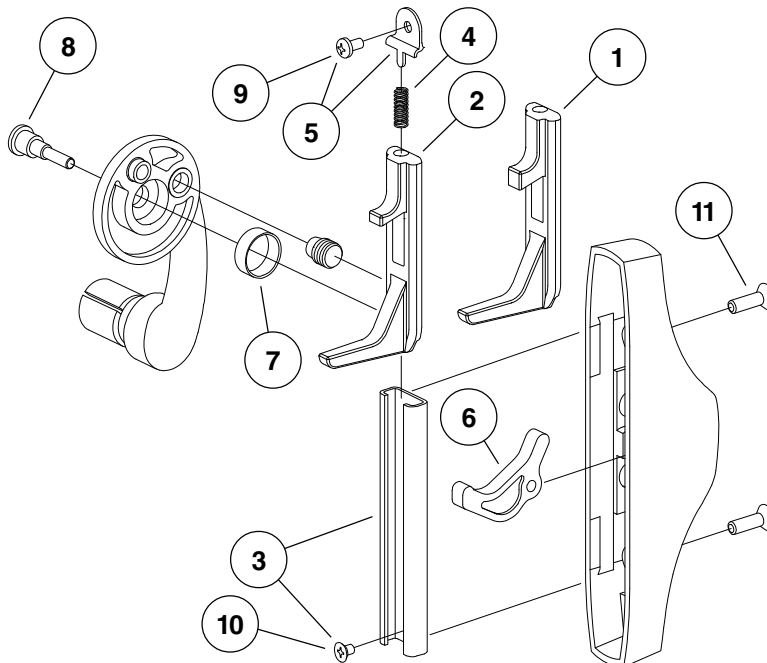
X in "Finish" column designates finished item; specify finish when ordering.



CENTER CASE PARTS: 5547-F, 5547WDC, 5575, 5575-F DEVICES

Item No.	Part No.	Description	Quantity	Finish
1	050360	5547-F/5547WDC Lift Member	1	
2	050361	5575/5575-F Lift Member	1	
3	050359	5547-F/5547WDC Lift Member Channel	1	
4	050362	5547/5547-F Latch Release Spring	1	
5	050363	5547-F/5547WDC Spring Anchor	1	
6	050358	5547-F/5547WDC Lift Memembr Lever	1	
7	050333	55 Case Bushing	1	
8	090051	55 Retaining Screw Pkg.	10	
8	090026	55 Retaining Screw Pkg.	2	
9	090024	55 Spring Anchor Screw Pkg.	10	
10	090027	Lift Member Guide Screw Pkg.	10	
11	900509	5547-F/5575/5575-F Center Case Mounting Pkg.		X
		12-24 x 5/8" OPHMS	2	
11	900507	5547WDC Center Case Mounting Pkg.		X
		12-24 x 3/4" OPHMS	2	
11	900512	5547WDC 2" Dr SNB Mounting Pkg.		X
		12-24 x 1" OPHMS	4	
11	900514	5547/5575 2" Dr SNB Mounting Pkg.		X
		12-24 x 1" OPHMS	2	

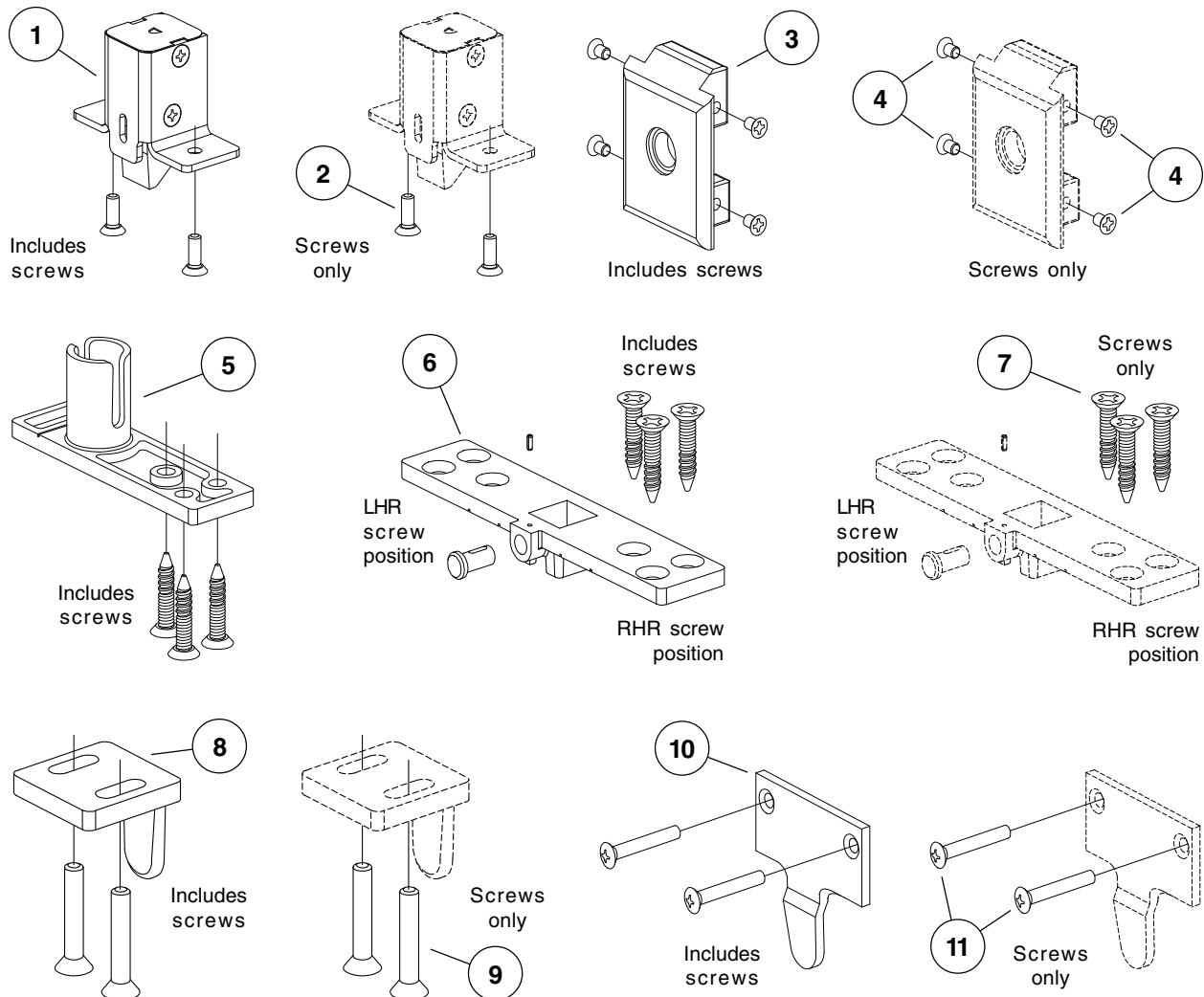
X in "Finish" column designates finished item; specify finish when ordering.



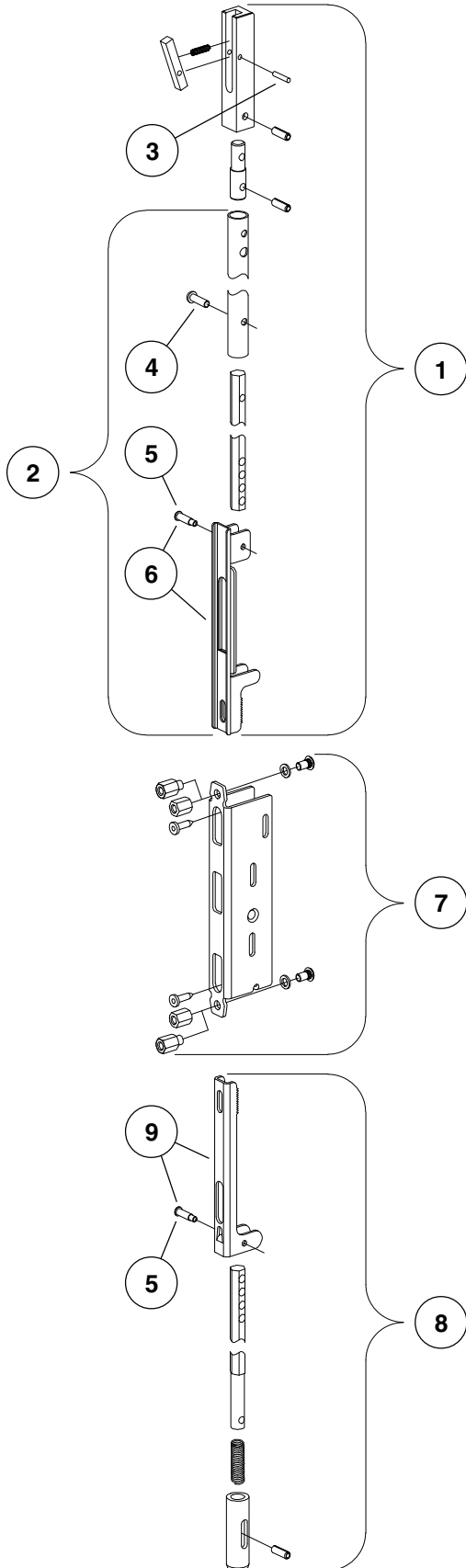
VERTICAL LATCHES

Item No.	Part No.	Description	Quantity	Finish
1	114141	5547-F Soffit Latch Kit (includes screws)	1	
2	900502	5547 Soffit Latch Mounting Pkg.	2	
3	050278	5547-F Release Guide Cover with Screws	1	X
4	PKGSRV.1018	5547-F Top Latch Release Screw Pkg.	20	
5	050370	5547/5547WDC Bottom Bracket Guide (includes screws)	1	
6	100316	5547/5547WDC Top Plate (includes screws)	1	
7	090033	5547WDC Top Plate Screw Pkg.	10	
8	900576	5547-F Plunger Release Bracket (includes screws)	1	X
9	090034	5547-F Plunger Release Bracket Screw Pkg.	10	X
10	900614	5547-F Flush Transom Release Bracket with Screws	1	X
11	090035	5547-F Flush Transom release Bracket Screw Pkg.	10	X

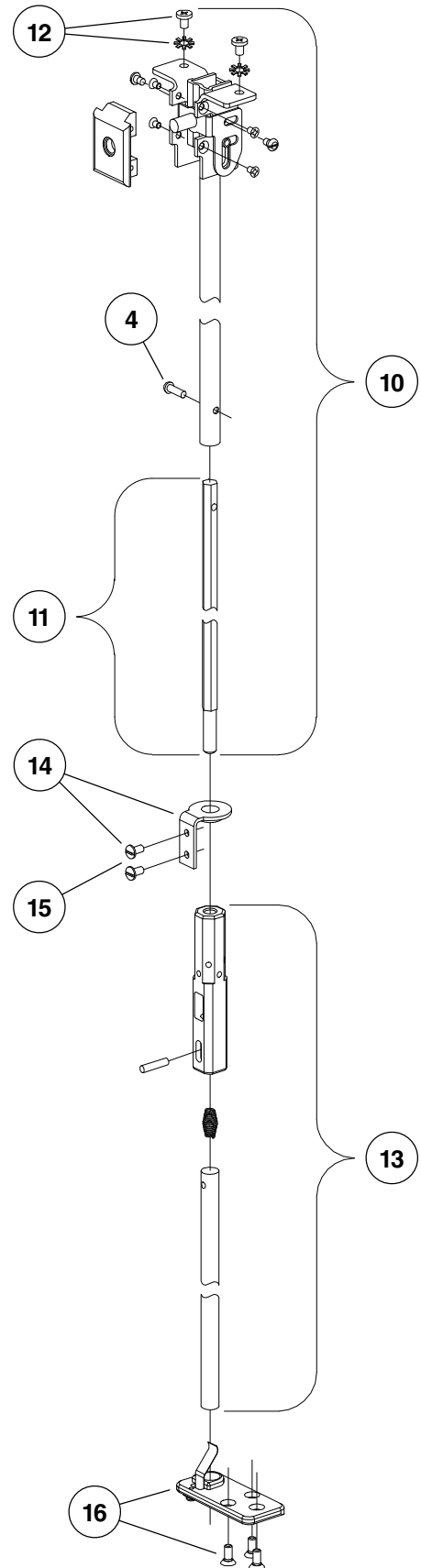
X in "Finish" column designates finished item; specify finish when ordering.



VERTICAL RODS: 5547 DEVICE



VERTICAL RODS: 5547-F DEVICE



VERTICAL RODS: 5547 DEVICE

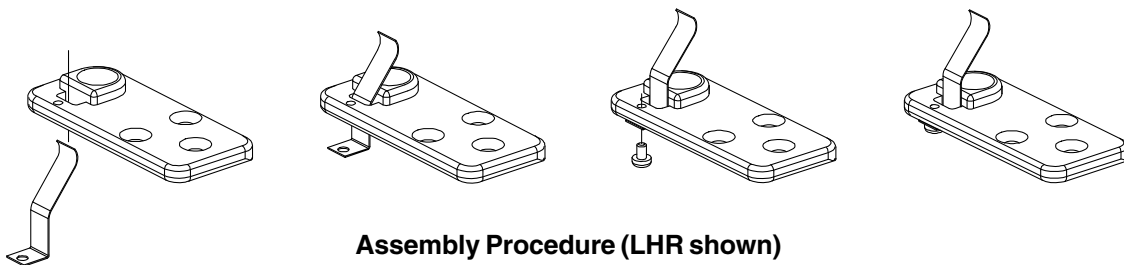
Item No.	Part No.	Description	Quantity	Finish
1	050053	5547 Top Rod Kit 6'8"-8' Door	1	
1	050372	5547 Top Rod Kit 8'-10' Door	1	
2	051704	5547 Extension Rod Kit 8'-10' Door	1	
3	090032	5547 Top Rod 1/8" x 5/8" Roll Pin Pkg.	10	
4	090011	5547 Rod Connector Rivet Pkg.	10	
5	090030	5547 Rod Connector Pin Pkg.	2	
6	050368	5547 Top Rod Connector with Pin	1	
7	050367	5547 Rod Control Housing	1	
8	050036	5547 Bottom Rod Kit	1	
9	050369	5547 Bottom Rod Connector with Pin	1	

X in "Finish" column designates finished item; specify finish when ordering.

VERTICAL RODS: 5547-F DEVICE

Item No.	Part No.	Description	Quantity	Finish
10	050457	5547-F Top Rod Kit 6'8"-8' Door	1	X
10	050373	5547-F Top Rod Kit 8'-10' Door	1	X
11	051705	5547-F Extension Rod Kit 8'-10' Door	1	
12	900541	5547-F Rod Set Mounting Pkg.	1	
13	050458	5547-F Bottom Rod Kit	1	
14	105144	5547-F Rod Guide Pkg.	1	
15	090018	5547-F Rod Guide Mounting Screw Pkg.	10	
16	100741	5547-F Bottom Guide Pkg.	1	

X in "Finish" column designates finished item; specify finish when ordering.

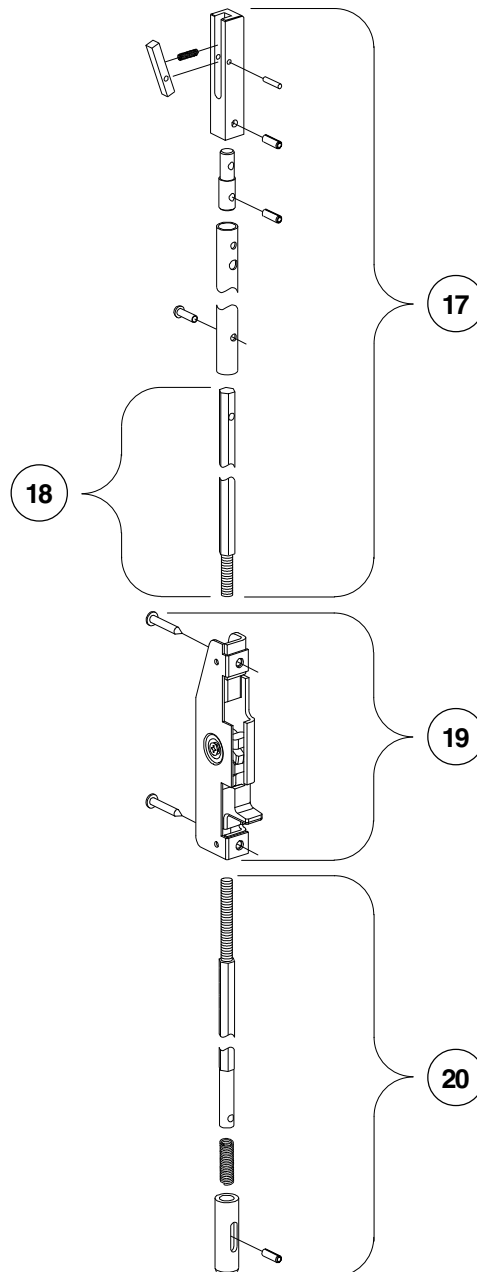


Assembly Procedure (LHR shown)
 5547-F Bottom Guide Pkg.
 Part No. 100741

VERTICAL RODS: 5547WDC DEVICE

Item No.	Part No.	Description	Quantity	Finish
17	050110	5547WDC Top Rod Kit 6'8"-8' Door	1	
17	050374	5547WDC Top Rod Kit 8'-10' Door	1	
18	051707	5547WDC Extension Rod Kit 8'-10' Door	1	
19	100315	5547WDC Latch Control	1	
20	050096	5547WDC Bottom Rod Kit	1	

X in "Finish" column designates finished item; specify finish when ordering.

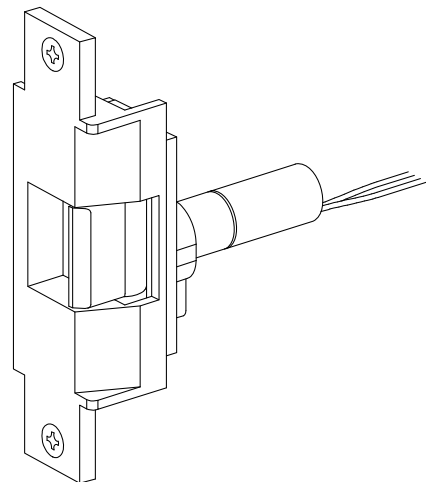
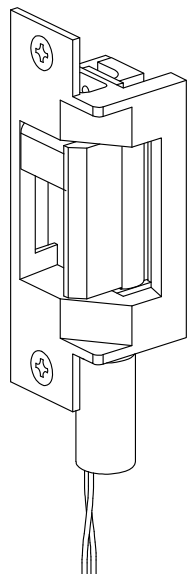
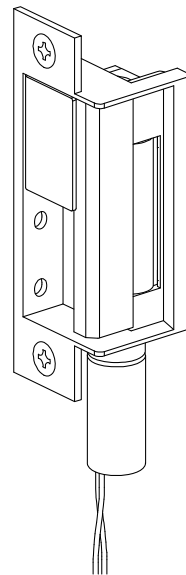
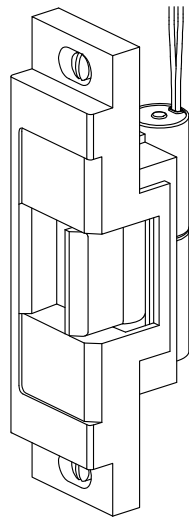


VON DUPRIN®

PARTS MANUAL

JULY 2009

6000 SERIES ELECTRIC STRIKES



PM6000_A
VD-5563

IR Ingersoll Rand
Security Technologies

Copyright © 2009 Ingersoll-Rand. All rights reserved.

INDEX

General Information

Introduction	2
How to Order	2
Part Number Changes	2
6000 Series Electric Strike Finishes	2

6000 Series Electric Strike Parts

Solenoids and Solenoid Parts	3
Box Parts: Type B Box	4
Box Parts: Type A Box, Type C Box, Offset Box	6
Faceplates, Screws, Inserts, Box Assemblies, Tripper Extensions, and Connectors	
Strike Box Type	
6111 C	8
6112 C	18
6113 C	8
6114 A	10
6121 C	18
6210 Offset	22
6211 A	12
6211AL A	12
6211WF B	14
6212 A	12
6212WF B	14
6213 C	8
6214 A	10
6215 A	10
6216 C	20
6221 B	16
6222 A	10
6223 B	16
6224 A	10
6224AL A	10
6225 A	10
6226 A	10
Accessories	3

INTRODUCTION

This manual lists replaceable parts and assemblies for 6000 Series Electric Strikes.

HOW TO ORDER

Some parts are sold separately. Other items are available as part of a kit or multiple quantity package. For the best possible service when ordering replacement parts or assemblies, please provide the following information:

- Part number or assembly number
- Description
- Quantity needed
- Finish desired (if available finished)
- Date of original purchase (if known)

To find out the name of your local Von Duprin distributor or sales representative, contact:

Von Duprin Division
 Ingersoll-Rand Company
 2720 Tobey Drive
 Indianapolis, Indiana 46219
 Phone: (800) 999-0408
 Fax: (800) 999-0328

PART NUMBER CHANGES

This manual reflects product sold in July 2009. Because of changes to product and/or manufacturing process, part numbers can change.

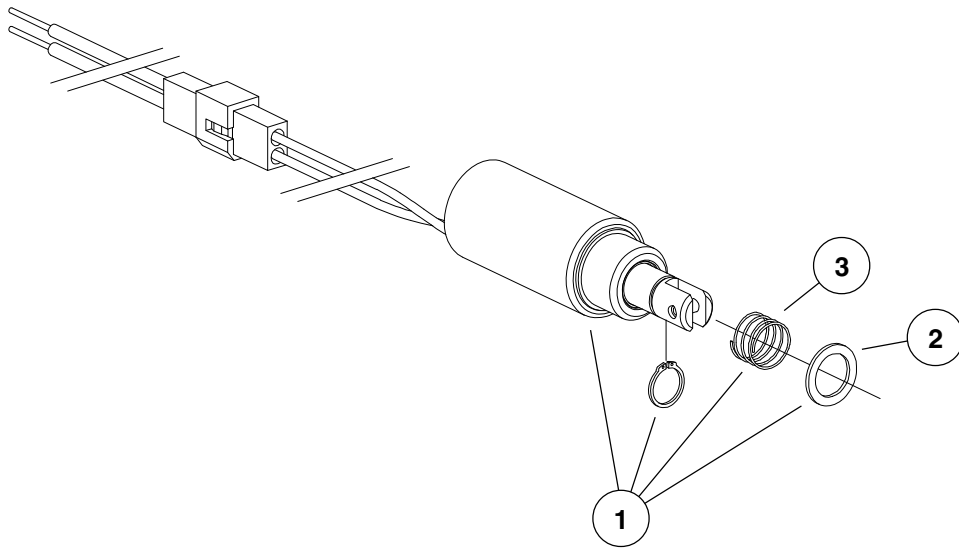
6000 SERIES ELECTRIC STRIKE FINISHES

US Number	BHMA Number	Color
US3	605	Brass, polished
US4	606	Brass, dull
US10	612	Bronze, dull
US10B	640	Brass, dull (oxidized)
US32	629	Chrome, polished
US32D	630	Chrome, dull

SOLENOIDS AND SOLENOID PARTS

Item No.	Part No.	Description	Quantity	Finish
1	050237	6000 Series Solenoid Kit 12VDC (FS & FSE)	1	
1	050239	6000 Series Solenoid Kit 16VDC (FS & FSE)	1	
1	050240	6000 Series Solenoid Kit 24VDC (FS & FSE)	1	
2	964037	Solenoid Washer	1	
3	968713	Solenoid Spring	1	

X in "Finish" column designates finished item; specify finish when ordering.



BOX PARTS: TYPE B BOX

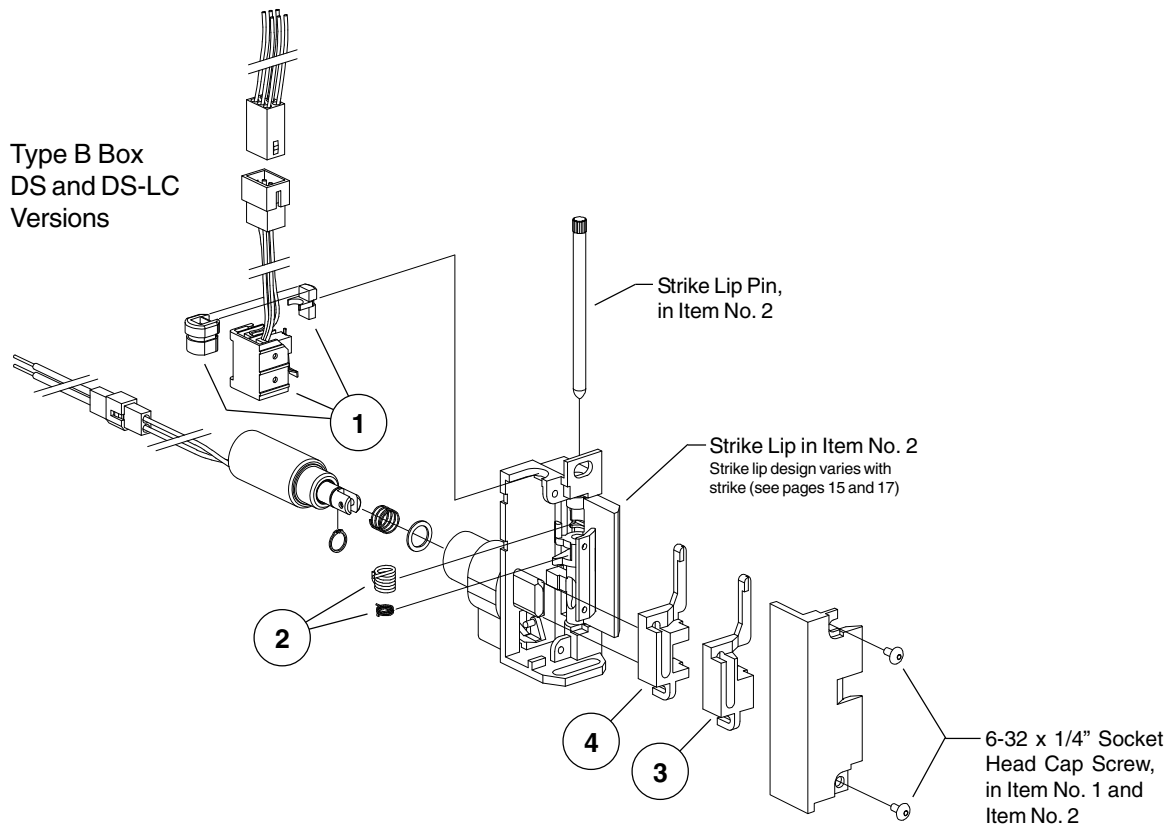
Item No.	Part No.	Description	Quantity	Finish
1	050015	6000 DS Replacement Kit Type B		
		6000 Switch & Mtg. Assy.	1	
		6-32 x 1/4" Socket Head Cap Screw	2	
		Wire Strain Relief	1	
1	050018	6000 DS-LC Replacement Kit Type B		
		Same parts as 050015 for DS-LC Version		
2	050939	Type A or B Box Spring Kit		
		6-32 x 1/4" Socket Head Cap Screw	2	
		Tripper Spring	1	
		Torsion Spring	1	
		Strike Lip Pin	1	
		Strike Lip	1	
3	970387	FS Slider (6211WF/6212WF/6221/6223 Only)	1	
4	970388	FSE Slider (6211WF/6212WF/6221/6223 Only)	1	

X in "Finish" column designates finished item; specify finish when ordering.

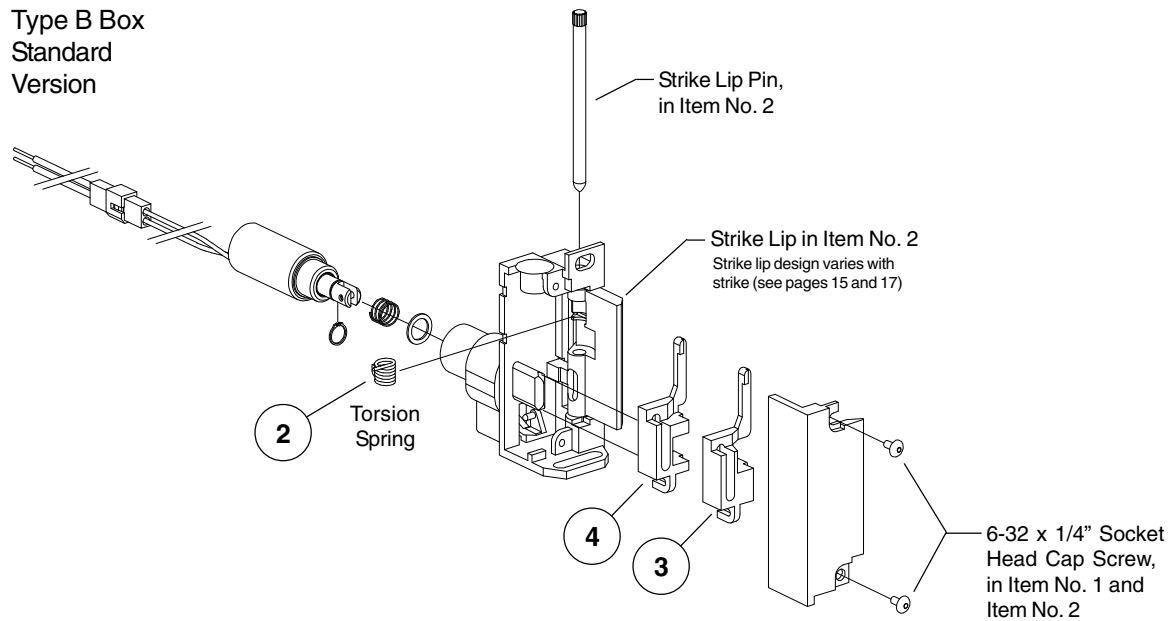
Type B Box Used for:

6211WF
6212WF
6221
6223

Type B Box
DS and DS-LC
Versions



Type B Box
Standard
Version



SOLENOID AND BOX PARTS: TYPE A BOX, TYPE C BOX, OFFSET BOX

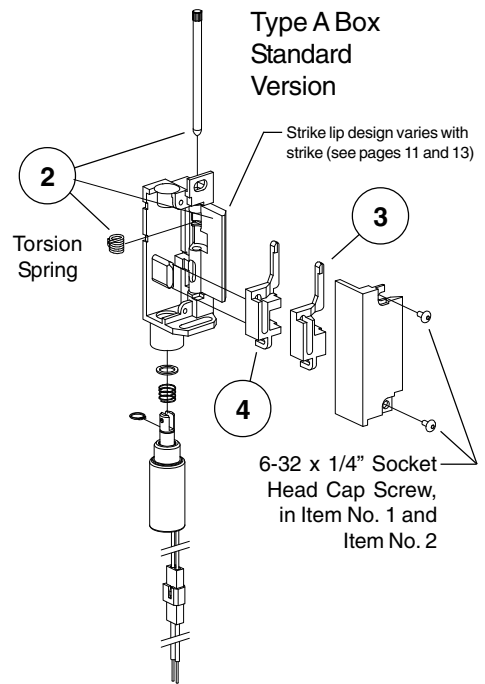
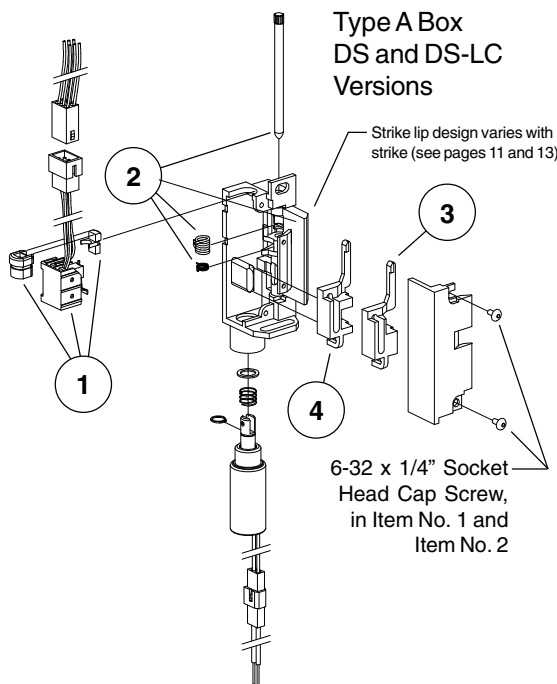
Item No.	Part No.	Description	Quantity	Finish
1	050011	6000 DS Replacement Kit Type A		
		6000 Switch & Mtg. Assy.	1	
		6-32 x 1/4" Socket Head Cap Screw	2	
		Wire Strain Relief	1	
1	050016	6000 DS-LC Replacement Kit Type A	1	
		Same parts as 050011 for DS-LC Version		
2	050939	Type A or B Box Spring Kit (includes items listed below)		
	050941	Type C Box Spring Kit (includes items listed below)		
	050940	Type Offset Box Spring Kit (includes items listed below)		
		6-32 x 1/4" Socket Head Cap Screw	2	
		Tripper Spring	1	
		Torsion Spring	1	
		Strike Lip Pin	1	
		Strike Lip	1	
3	970387	FSE Slider (Except 6211WF/6212WF/6221/6223)	1	
4	970388	FS Slider (Except 6211WF/6212WF/6221/6223)	1	

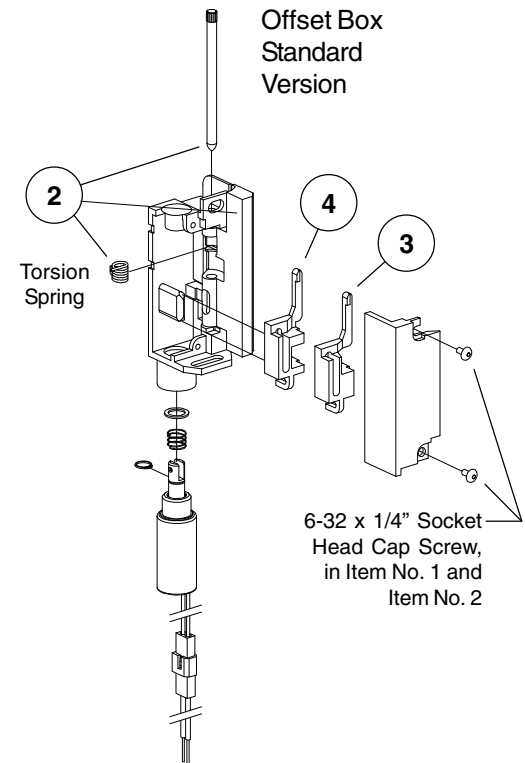
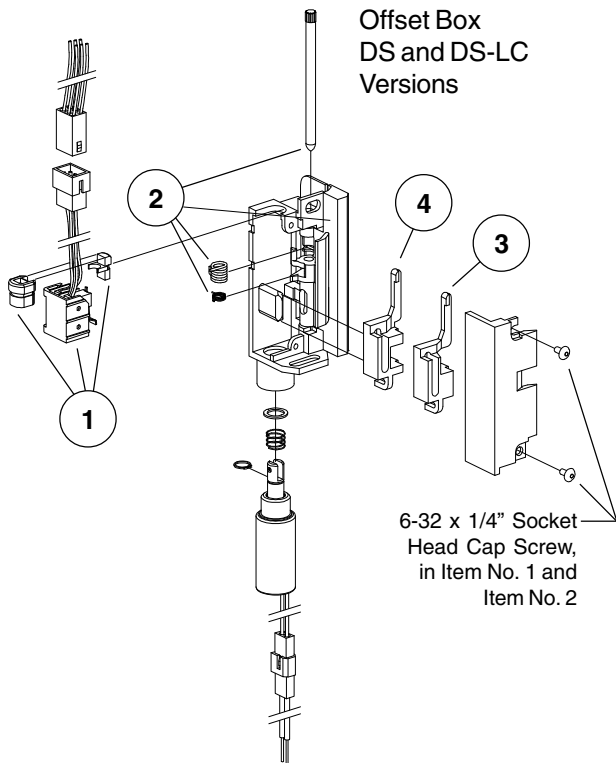
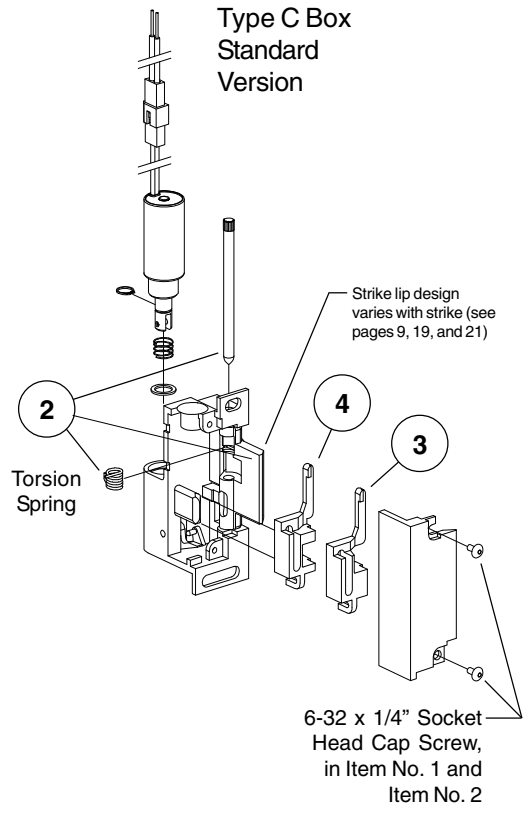
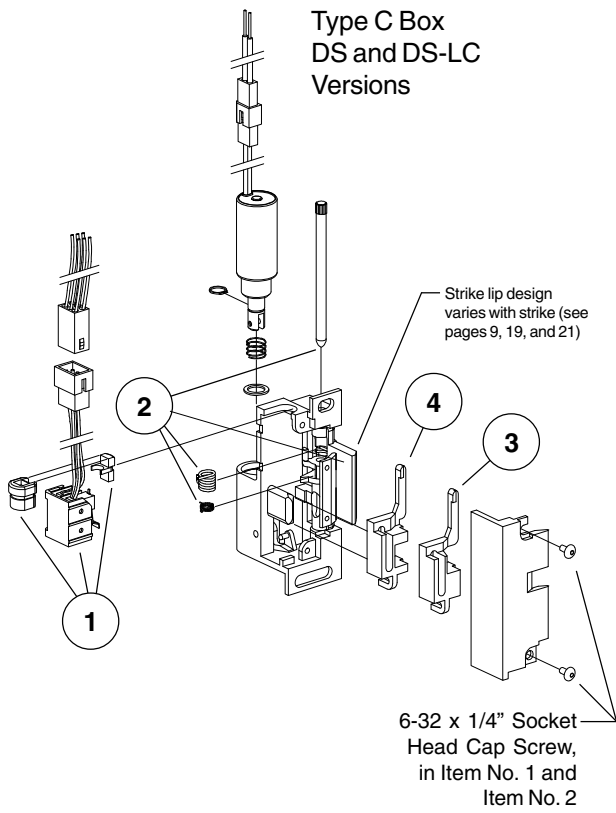
X in "Finish" column designates finished item; specify finish when ordering.

Type A Box Used for:	
6211	6222
6211AL	6224
6212	6224AL
6214	6225
6215	6226

Type C Box Used for:	
6111	6121
6112	6213
6113	6216

Offset Box Used for:
6210



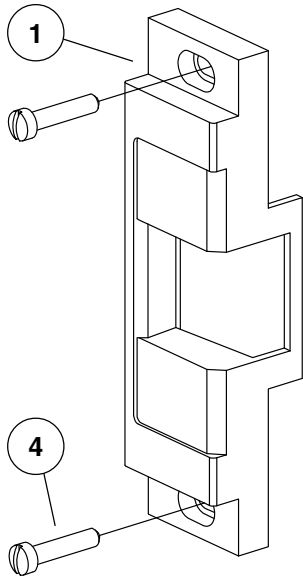


6111, 6113, 6213

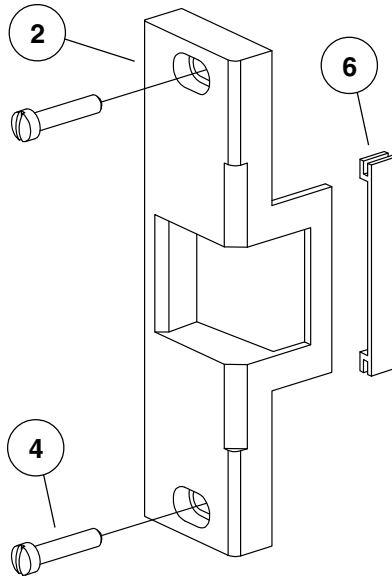
Item No.	Part No.	Description	Quantity	Finish
1	970271	6111 Faceplate	1	X
2	970280	6113 Faceplate	1	X
3	970278	6213 Faceplate	1	X
4	900870	6111/6113 Screw Pkg.		X
		12-24 x 1" Slotted Fill. HMS	2	
		Connector-E98/99/6000 ES	2	
5	900288	6210/11/13/14/16/22/24/25/26 Screw Pkg.		X
		12-24 x 1/2" UFPHMS	2	
		Connector-E98/99/6000 ES	2	
6	900347	6113 Frame Insert Pkg.	1	
7	111743	6111, 6113, 6213 12VDC FS Box Assy.	1	
7	111744	6111, 6113, 6213 12VDC FSE Box Assy.	1	
7	111745	6111, 6113, 6213 24VDC FS Box Assy.	1	
7	111746	6111, 6113, 6213 24VDC FSE Box Assy.	1	
8	111747	6111, 6113, 6213 12VDC FS DS Box Assy.	1	
8	111748	6111, 6113, 6213 12VDC FSE DS Box Assy.	1	
8	111749	6111, 6113, 6213 24VDC FS DS Box Assy.	1	
8	111750	6111, 6113, 6213 24VDC FSE DS Box Assy.	1	
8	112772	6111/6113/6213 12VDC FS DS-LC Box Assy.	1	
8	112773	6111/6113/6213 12VDC FSE DS-LC Box Assy.	1	
8	112774	6111/6113/6213 24VDC FS DS-LC Box Assy.	1	
8	112775	6111/6113/6213 24VDC FSE DS-LC Box Assy.	1	
9	964019	#8 Ext. Tooth Lock Washer	1	
10	964070	8-32 x 3/8" PPHMS	1	
11	970384	DS Tripper Extension	1	
12	900344	DS Tripper Extension & Connector		
		Tripper Extension	1	
		4-40 x 1/8" Socket Head Cap Screw	2	
		Connector-E98/99/6000 ES	6	
13	990132	Connector-E98/99/6000 ES	1	

X in "Finish" column designates finished item; specify finish when ordering.

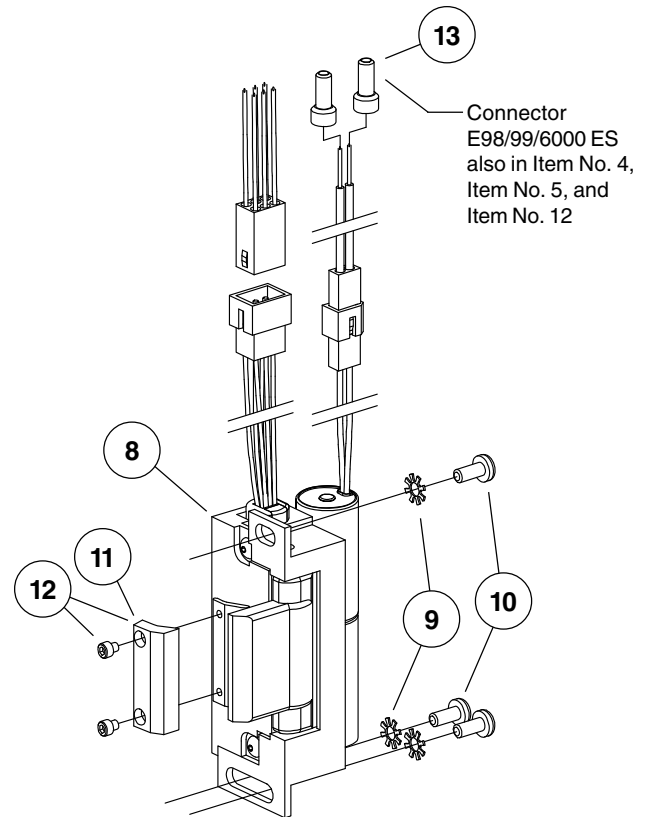
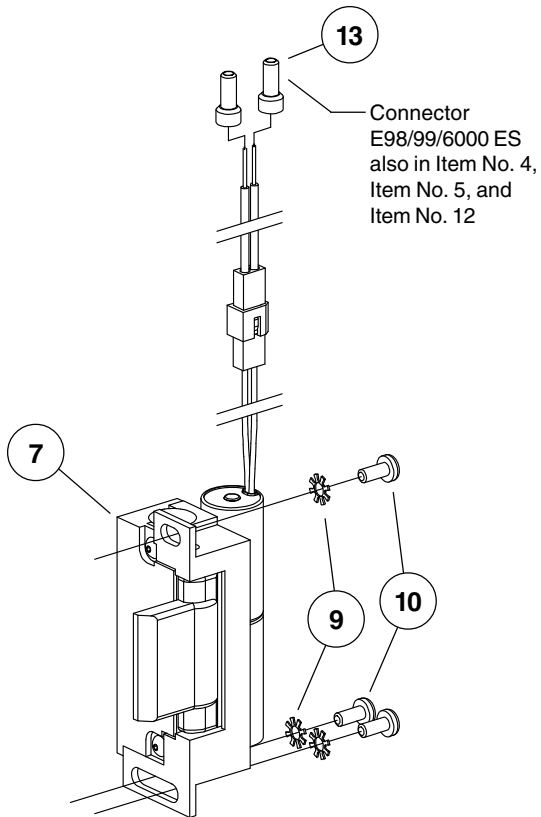
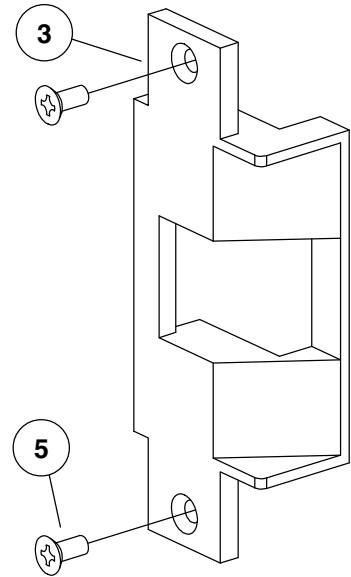
6111



6113



6213

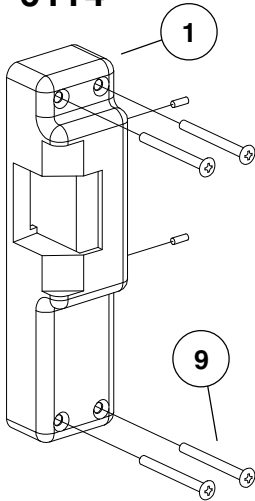


6114, 6214, 6215, 6222, 6224, 6224AL, 6225, 6226

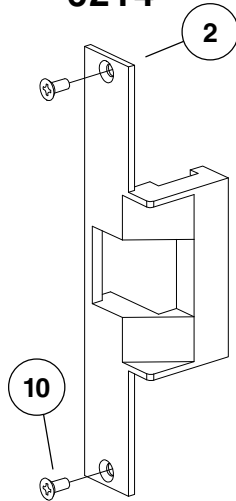
Item No.	Part No.	Description	Quantity	Finish
1	970300	6114 Faceplate	1	X
2	971417	6214 Faceplate	1	X
3	971415	6215 Faceplate	1	X
4	970305	6222 Faceplate	1	X
5	970302	6224 Faceplate	1	X
6	970310	6224AL Faceplate	1	X
7	970306	6225 Faceplate	1	X
8	970301	6226 Faceplate	1	X
9	900882	6114 Screw Pkg.		X
		10-12 x 10-24 x 2" OPHCS	4	
		Connector-E98/99/6000 ES	2	
10	900288	6210/11/13/14/16/22/24/25/26 Screw Pkg.		X
		12-24 x 1/2" UFPHMS	2	
		Connector-E98/99/6000 ES	2	
11	111719	6114, 6214/5, 6222/4/4AL/5/6 12VDC FS Box Assy.	1	
11	111720	6114, 6214/5, 6222/4/4AL/5/6 12VDC FSE Box Assy.	1	
11	111721	6114, 6214/5, 6222/4/4AL/5/6 24VDC FS Box Assy.	1	
11	111722	6114, 6214/5, 6222/4/4AL/5/6 24VDC FSE Box Assy.	1	
12	111723	6114, 6214/5, 6222/4/4AL/5/6 12VDC FS DS Box Assy.	1	
12	111724	6114, 6214/5, 6222/4/4AL/5/6 12VDC FSE DS Box Assy.	1	
12	111725	6114, 6214/5, 6222/4/4AL/5/6 24VDC FS DS Box Assy.	1	
12	111726	6114, 6214/5, 6222/4/4AL/5/6 24VDC FSE DS Box Assy.	1	
12	112760	6114/6214/15/24/24AL/26 12VDC FS DS-LC Box Assy.	1	
12	112761	6114/6214/15/24/24AL/26 12VDC FSE DS-LC Box Assy.	1	
12	112762	6114/6214/15/24/24AL/26 24VDC FS DS-LC Box Assy.	1	
12	112763	6114/6214/15/24/24AL/26 24VDC FSE DS-LC Box Assy.	1	
13	964019	#8 Ext. Tooth Lock Washer	1	
14	964070	8-32 x 3/8" PPHMS	1	
15	970384	DS Tripper Extension	1	
16	900344	DS Tripper Extension & Connector		
		Tripper Extension	1	
		4-40 x 1/8" Socket Head Cap Screw	2	
		Connector-E98/99/6000 ES	6	
17	990132	Connector-E98/99/6000 ES	1	

X in "Finish" column designates finished item; specify finish when ordering.

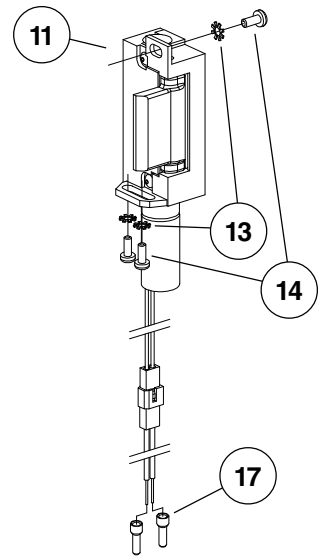
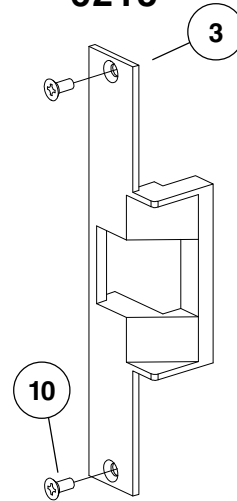
6114



6214

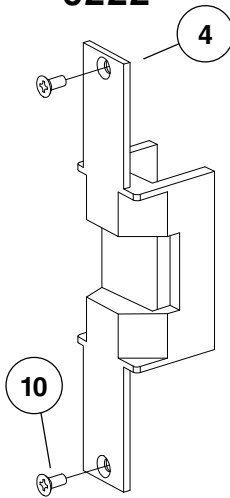


6215

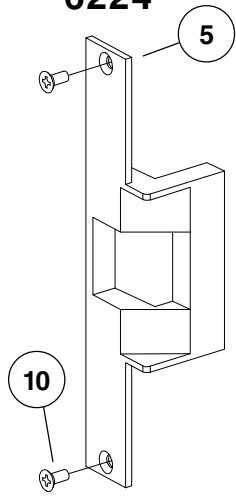


Connector
E98/99/6000 ES
also in Item No. 9,
Item No. 10, and
Item No. 16

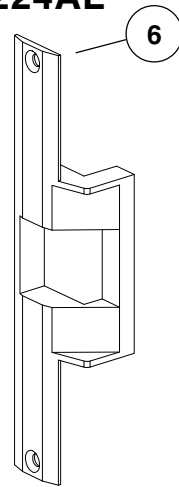
6222



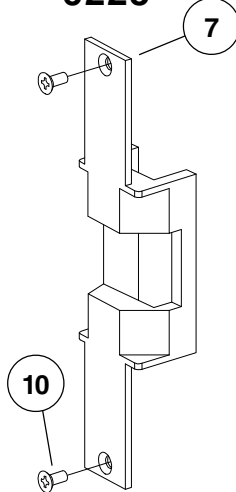
6224



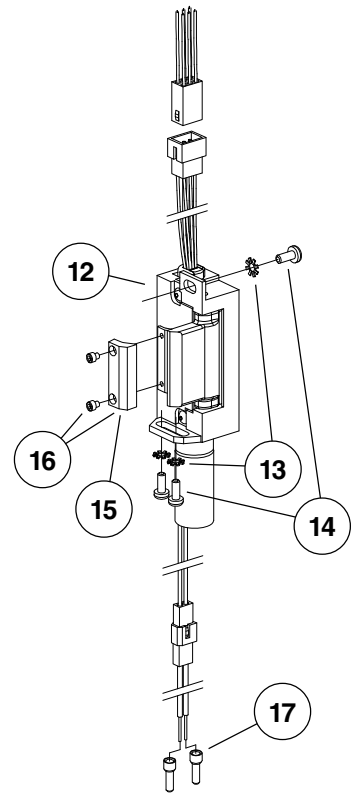
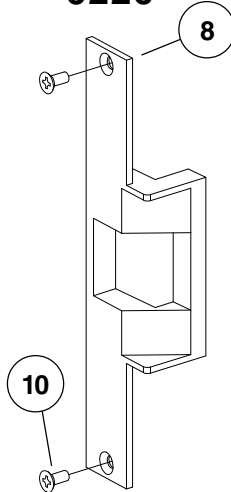
6224AL



6225



6226



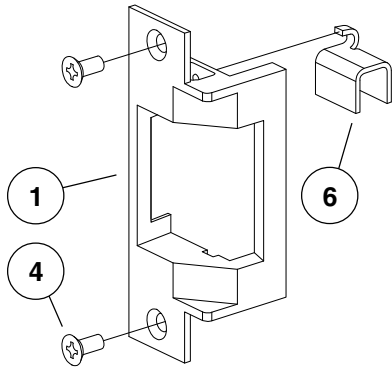
Connector
E98/99/6000 ES
also in Item No. 9,
Item No. 10, and
Item No. 16

6211, 6211AL, 6212

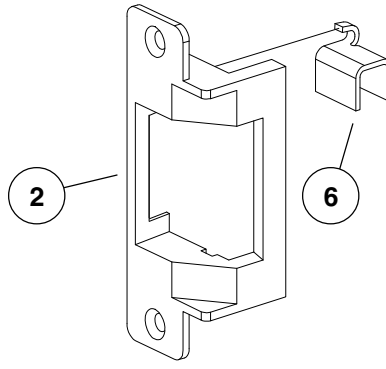
Item No.	Part No.	Description	Quantity	Finish
1	968716	6211/6211WF Faceplate	1	X
2	970272	6211AL Faceplate	1	X
3	969584	6212/6212WF Faceplate	1	X
4	900288	6210/11/13/14/16/22/24/25/26 Screw Pkg.		X
		12-24 x 1/2" UFPHMS	2	
		Connector-E98/99/6000 ES	2	
5	900290	6212 Screw Package		X
		12-24 x 1/2 UFPHMS	4	
		Connector-E98/99/6000 ES	2	
6	900291	6211/6212WF Strike Pocket Insert		
7	900292	6212 Strike Pocket Insert/Mounting Tab		
8	111711	6211, 6211AL, 6212 12VDC FS Box Assy.	1	
8	111712	6211, 6211AL, 6212 12VDC FSE Box Assy.	1	
8	111713	6211, 6211AL, 6212 24VDC FS Box Assy.	1	
8	111714	6211, 6211AL, 6212 24VDC FSE Box Assy.	1	
9	111715	6211, 6211AL, 6212 12VDC FS DS Box Assy.	1	
9	111716	6211, 6211AL, 6212 12VDC FSE DS Box Assy.	1	
9	111717	6211, 6211AL, 6212 24VDC FS DS Box Assy.	1	
9	111718	6211, 6211AL, 6212 24VDC FSE DS Box Assy.	1	
9	112756	6211/6211AL/6212 12VDC FS DS-LC Box Assy.	1	
9	112757	6211/6211AL/6212 12VDC FSE DS-LC Box Assy.	1	
9	112758	6211/6211AL/6212 24VDC FS DS-LC Box Assy.	1	
9	112759	6211/6211AL/6212 24VDC FSE DS-LC Box Assy.	1	
10	964019	#8 Ext. Tooth Lock Washer	1	
11	964070	8-32 x 3/8" PPHMS	1	
12	970384	DS Tripper Extension	1	
13	900344	DS Tripper Extension & Connector		
		Tripper Extension	1	
		4-40 x 1/8" Socket Head Cap Screw	2	
		Connector-E98/99/6000 ES	6	
14	990132	Connector-E98/99/6000 ES	1	

X in "Finish" column designates finished item; specify finish when ordering.

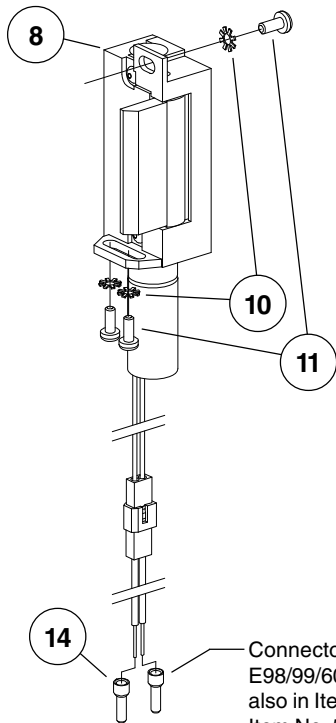
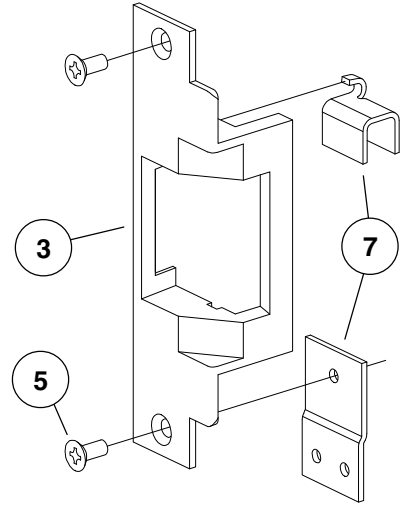
6211



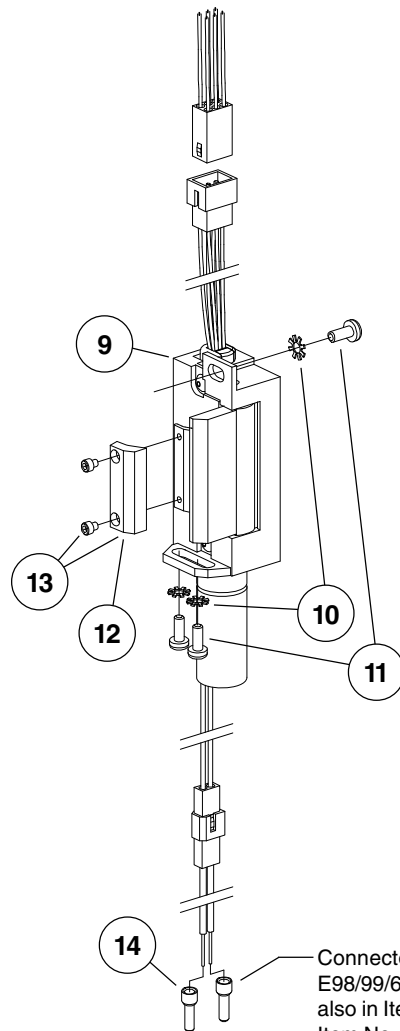
6211AL



6212



Connector
E98/99/6000 ES
also in Item No. 4,
Item No. 5, and
Item No. 13



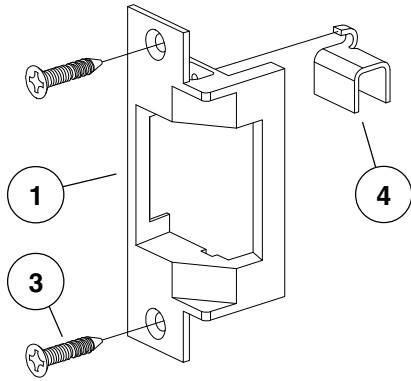
Connector
E98/99/6000 ES
also in Item No. 4,
Item No. 5, and
Item No. 13

6211WF, 6212WF

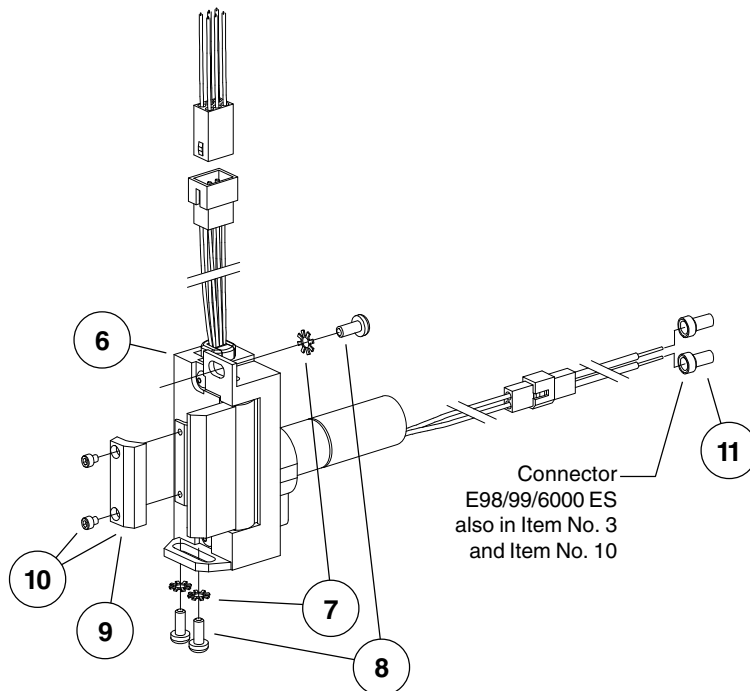
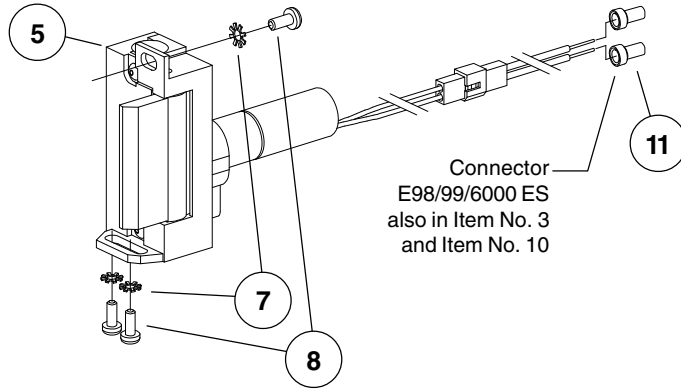
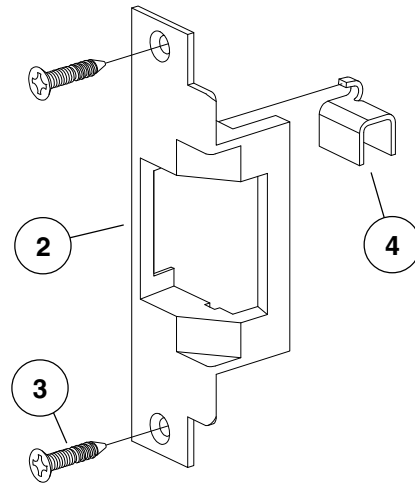
Item No.	Part No.	Description	Quantity	Finish
1	968716	6211/6211WFFaceplate	1	X
2	970271	6212/6212WF Faceplate	1	X
3	900885	6211WF/6212WF/6221/6223 Screw Pkg.		X
		12-12 x 12-24 x 1" UFPHCS	2	
		Connector-E98/99/6000 ES	2	
4	900291	6211/6212WF Strike Pocket Insert		
5	111727	6211WF, 6212WF 12VDC FS Box Assy.	1	
5	111728	6211WF, 6212WF 12VDC FSE Box Assy.	1	
5	111729	6211WF, 6212WF 24VDC FS Box Assy.	1	
5	111730	6211WF, 6212WF 24VDC FSE Box Assy.	1	
6	111731	6211WF, 6212WF 12VDC FS DS Box Assy.	1	
6	111732	6211WF, 6212WF 12VDC FSE DS Box Assy.	1	
6	111733	6211WF, 6212WF 24VDC FS DS Box Assy.	1	
6	111734	6211WF, 6212WF 24VDC FSE DS Box Assy.	1	
6	112764	6211WF/6212WF 12VDC FS DS-LC Box Assy.	1	
6	112765	6211WF/6212WF 12VDC FSE DS-LC Box Assy.	1	
6	112766	6211WF/6212WF 24VDC FS DS-LC Box Assy.	1	
6	112767	6211WF/6212WF 24VDC FSE DS-LC Box Assy.	1	
7	964019	#8 Ext. Tooth Lock Washer	1	
8	964070	8-32 x 3/8" PPHMS	1	
9	970384	DS Tripper Extension	1	
10	900344	DS Tripper Extension & Connector		
		Tripper Extension	1	
		4-40 x 1/8" Socket Head Cap Screw	2	
		Connector-E98/99/6000 ES	6	
11	990132	Connector-E98/99/6000 ES	1	

X in "Finish" column designates finished item; specify finish when ordering.

6211WF



6212WF

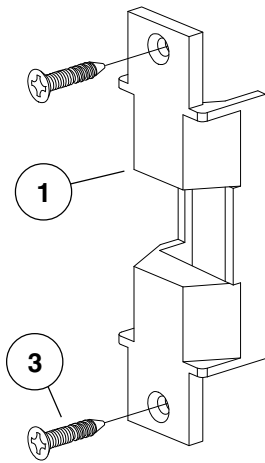


6221, 6223

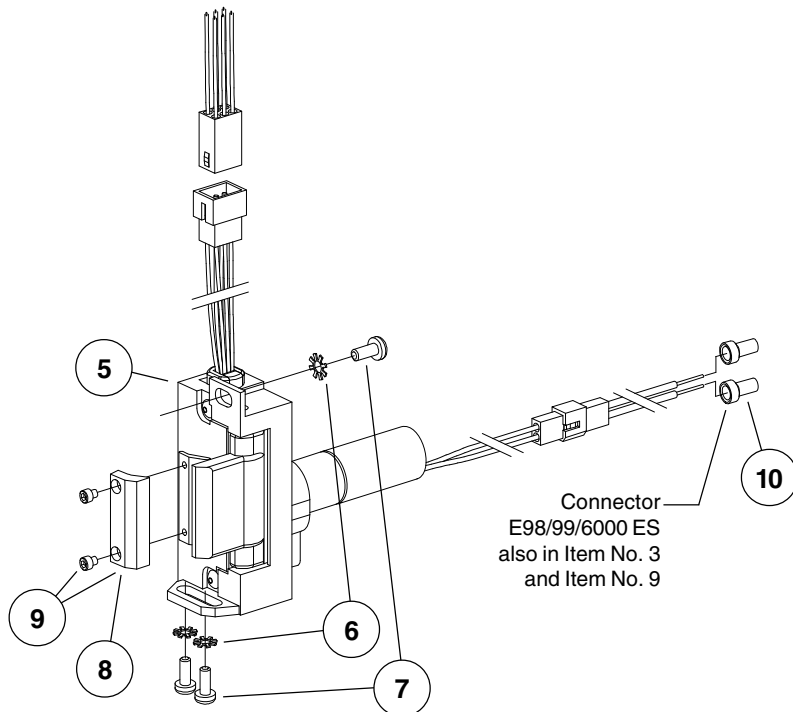
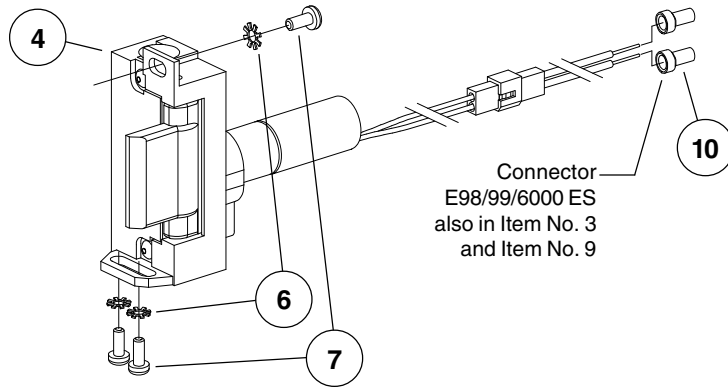
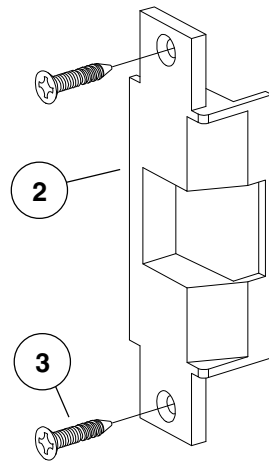
Item No.	Part No.	Description	Quantity	Finish
1	970276	6221 Faceplate	1	X
2	970274	6223 Faceplate	1	X
3	900885	6211WF/6212WF/6221/6223 Screw Pkg.		X
		12-12 x 12-24 x 1" UFPHCS	2	
		Connector-E98/99/6000 ES	2	
4	111735	6221, 6223 12VDC FS Box Assy.	1	
4	111736	6221, 6223 12VDC FSE Box Assy.	1	
4	111737	6221, 6223 24VDC FS Box Assy.	1	
4	111738	6221, 6223 24VDC FSE Box Assy.	1	
4	111739	6223 12VDC FS DS Box Assy.	1	
4	111740	6223 12VDC FSE DS Box Assy.	1	
4	111741	6223 24VDC FS DS Box Assy.	1	
4	111742	6223 24VDC FSE DS Box Assy.	1	
5	112768	6223 12VDC FS DS-LC Box Assy.	1	
5	112769	6223 12VDC FSE DS-LC Box Assy.	1	
5	112770	6223 24VDC FS DS-LC Box Assy.	1	
5	112771	6223 24VDC FSE DS-LC Box Assy.	1	
6	964019	#8 Ext. Tooth Lock Washer	1	
7	964070	8-32 x 3/8" PPHMS	1	
8	970384	DS Tripper Extension	1	
9	900344	DS Tripper Extension & Connector		
		Tripper Extension	1	
		4-40 x 1/8" Socket Head Cap Screw	2	
		Connector-E98/99/6000 ES	6	
10	990132	Connector-E98/99/6000 ES	1	

X in "Finish" column designates finished item; specify finish when ordering.

6221



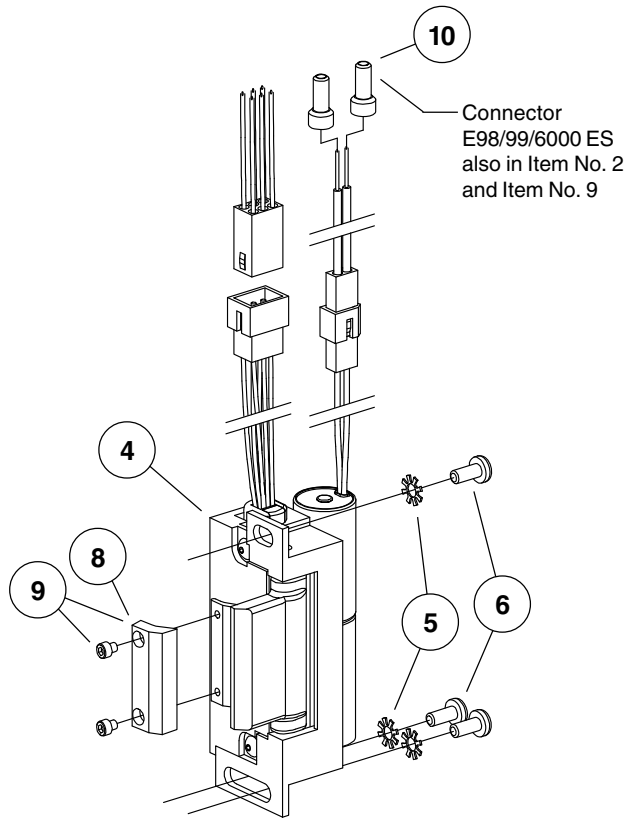
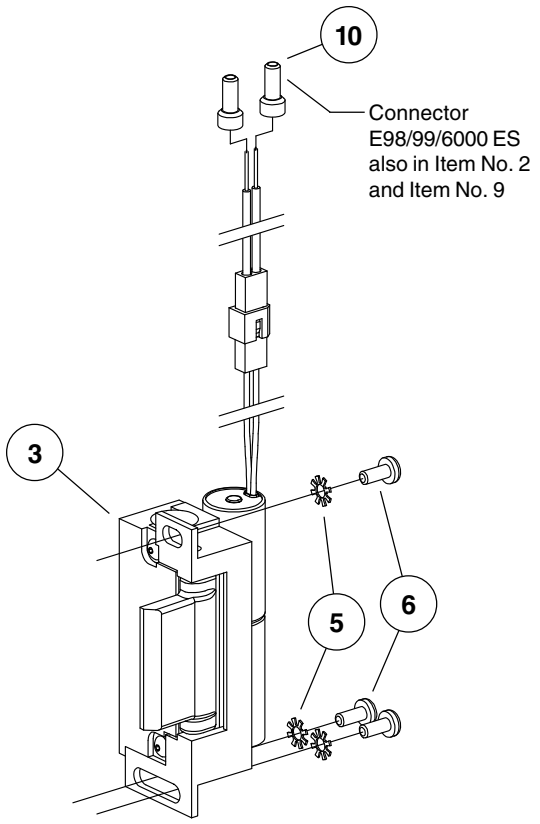
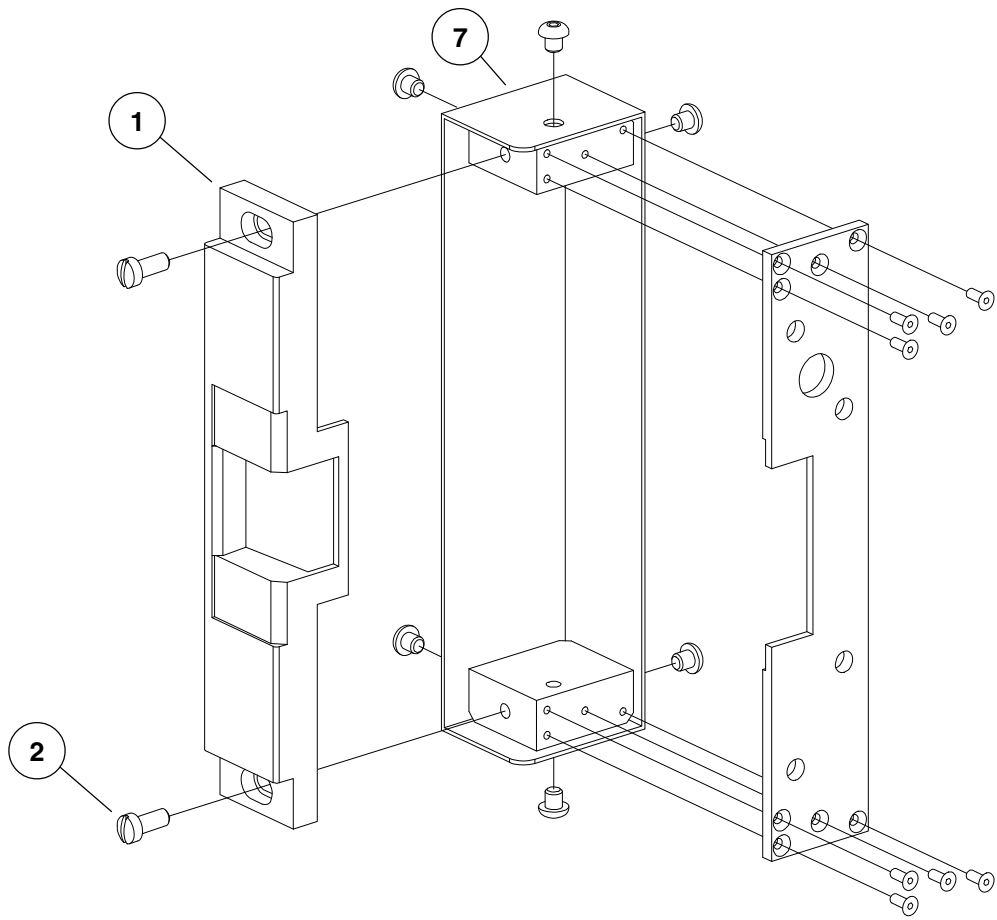
6223



6112, 6121

Item No.	Part No.	Description	Quantity	Finish
1	970303	6112/6121 Faceplate	1	X
2	900881	6112/6121 Screw Pkg.		X
		1/4-20 x 5/8" Slot Fill HMS	2	
		Connector-E98/99/6000 ES	2	
3	111751	6112, 6121 12VDC FS Box Assy.	1	
3	111752	6112, 6121 12VDC FSE Box Assy.	1	
3	111753	6112, 6121 24VDC FS Box Assy.	1	
3	111754	6112, 6121 24VDC FSE Box Assy.	1	
4	111755	6112, 6121 12VDC FS DS Box Assy.	1	
4	111756	6112, 6121 12VDC FSE DS Box Assy.	1	
4	111757	6112, 6121 24VDC FS DS Box Assy.	1	
4	111758	6112, 6121 24VDC FSE DS Box Assy.	1	
4	112776	6112/6121 12VDC FS DS-LC Box Assy.	1	
4	112777	6112/6121 12VDC FSE DS-LC Box Assy.	1	
4	112778	6112/6121 24VDC FS DS-LC Box Assy.	1	
4	112779	6112/6121 24VDC FSE DS-LC Box Assy.	1	
5	964019	#8 Ext. Tooth Lock Washer	1	
6	964070	8-32 x 3/8" PPHMS	1	
7	970412	6121 Housing Cover	1	X
8	970384	DS Tripper Extension	1	
9	900344	DS Tripper Extension & Connector		
		Tripper Extension	1	
		4-40 x 1/8" Socket Head Cap Screw	2	
		Connector-E98/99/6000 ES	6	
10	990132	Connector-E98/99/6000 ES	1	

X in "Finish" column designates finished item; specify finish when ordering.

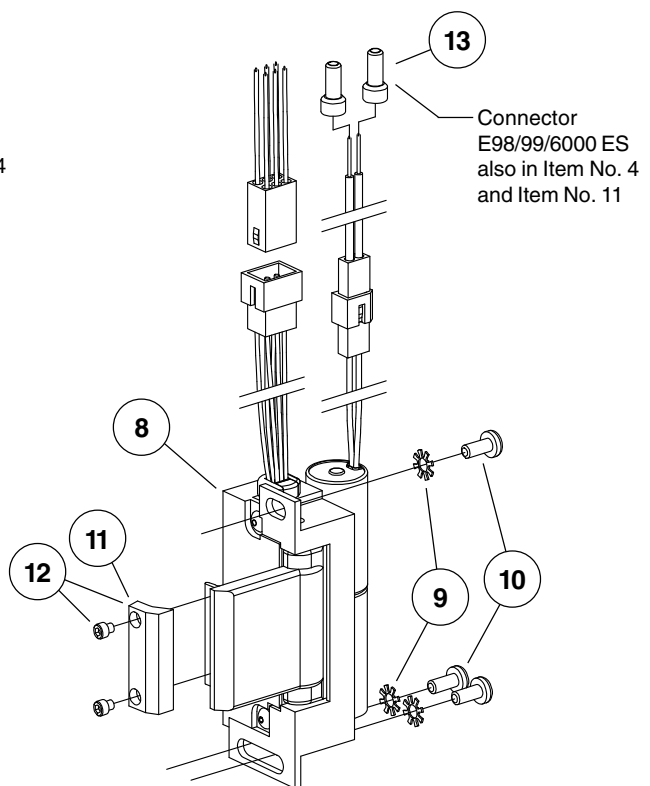
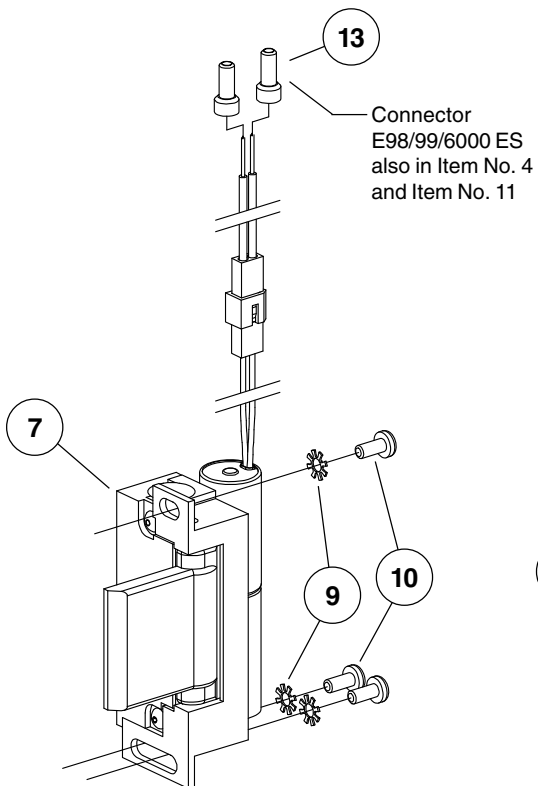
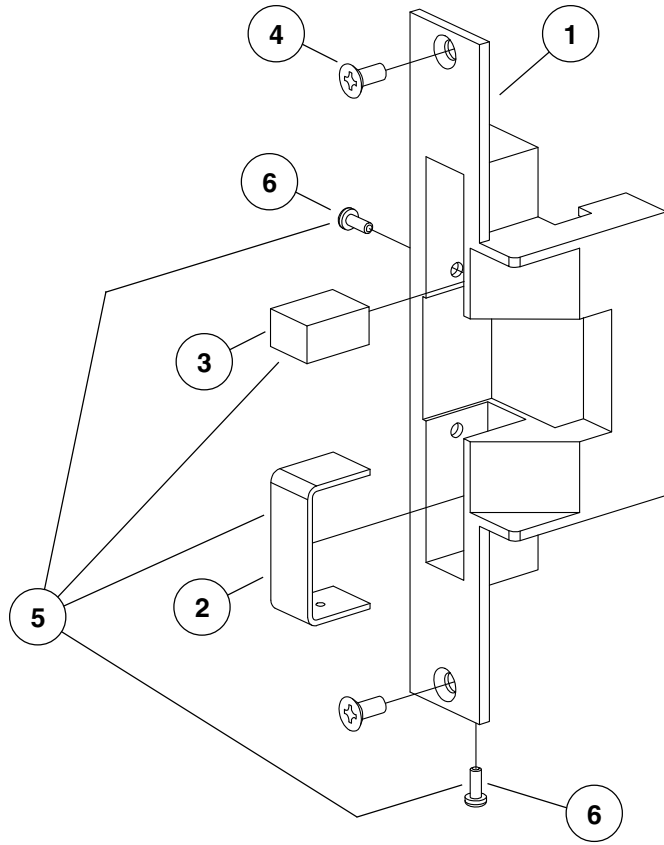


6216

Item No.	Part No.	Description	Quantity	Finish
1	971385	6216 Faceplate Less Inserts	1	X
2	970407	6216 Large Faceplate Insert	1	X
3	970415	6216 Small Faceplate Insert	1	X
4	900288	6210/11/13/14/16/22/24/25/26 Screw Pkg.		X
		12-24 x 1/2" UFPHMS	2	
		Connector-E98/99/6000 ES	2	
5	900345	6216 Inserts and Screw Pkg.		X
		6-32 x 3/8" PPHMS	2	
		6216 Large Faceplate Insert	1	
		6216 Small Faceplate Insert	1	
6	964190	6-32 x 3/8" PPHMS	1	
7	111759	6216 12VDC FS Box Assy.	1	
7	111760	6216 12VDC FSE Box Assy.	1	
7	111761	6216 24VDC FS Box Assy.	1	
7	111762	6216 24VDC FSE Box Assy.	1	
8	111763	6216 12VDC FS DS Box Assy.	1	
8	111764	6216 12VDC FSE DS Box Assy.	1	
8	111765	6216 24VDC FS DS Box Assy.	1	
8	111766	6216 24VDC FSE DS Box Assy.	1	
8	112780	6216 12VDC FS DS-LC Box Assy.	1	
8	112781	6216 12VDC FSE DS-LC Box Assy.	1	
8	112782	6216 24VDC FS DS-LC Box Assy.	1	
8	112783	6216 24VDC FSE DS-LC Box Assy.	1	
9	964019	#8 Ext. Tooth Lock Washer	1	
10	964070	8-32 x 3/8" PPHMS	1	
11	970384	DS Tripper Extension	1	
12	900344	DS Tripper Extension & Connector		
		Tripper Extension	1	
		4-40 x 1/8" Socket Head Cap Screw	2	
		Connector-E98/99/6000 ES	6	
13	990132	Connector-E98/99/6000 ES	1	

X in "Finish" column designates finished item; specify finish when ordering.

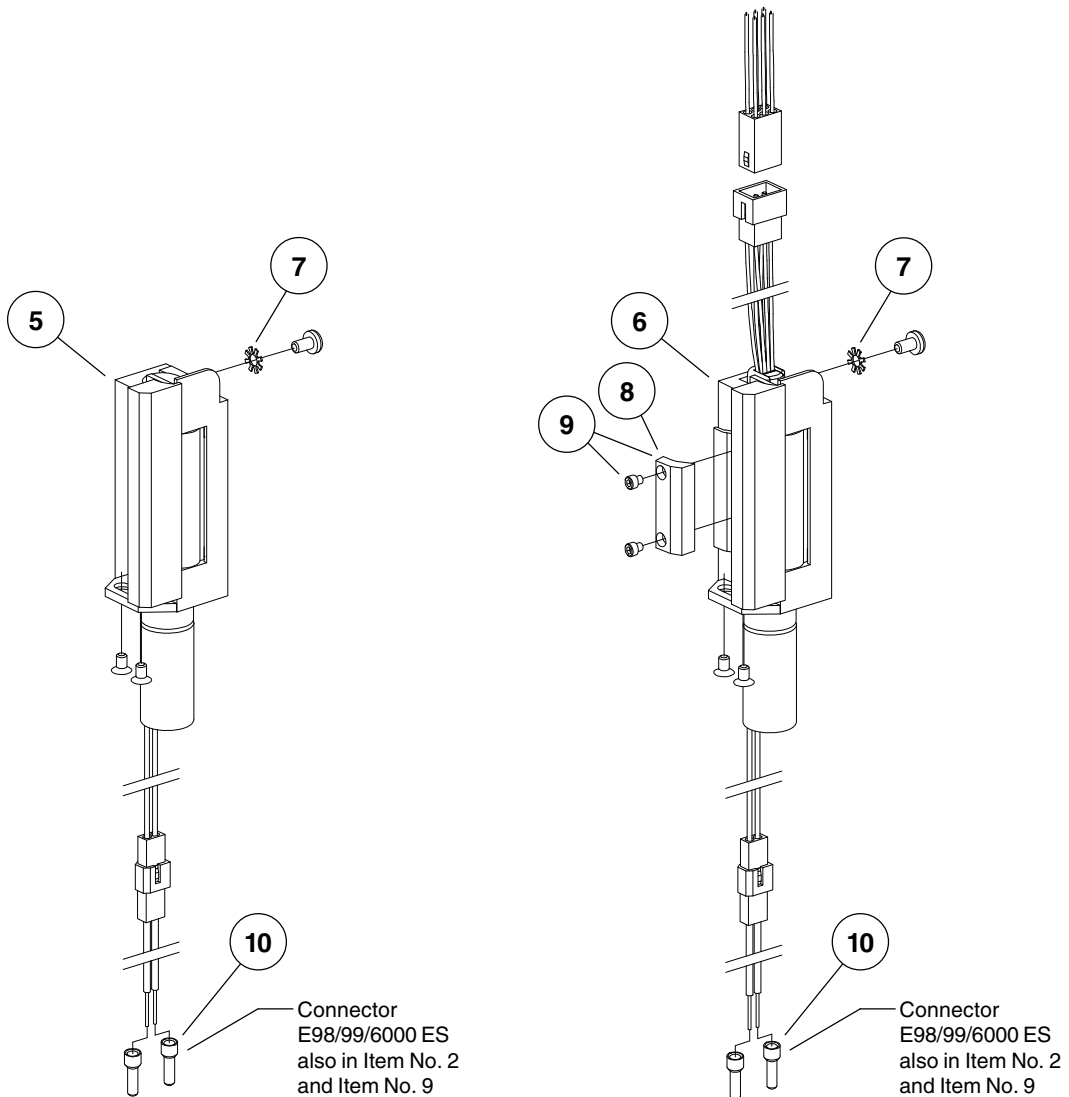
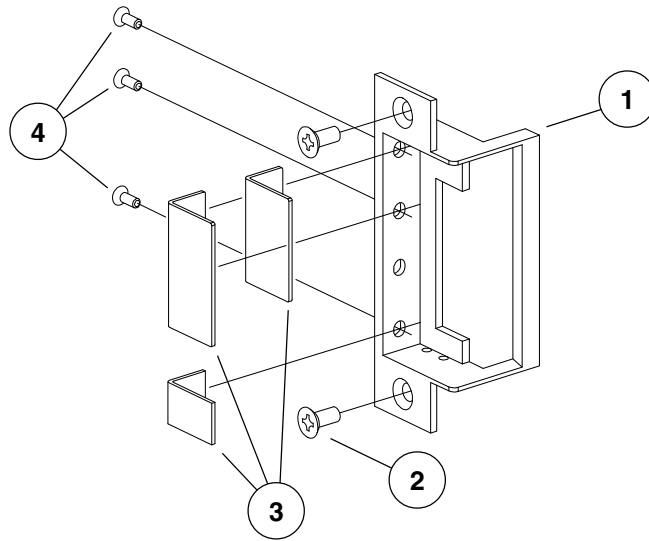
964070 8-32 x 3/8" PPHMS



6210

Item No.	Part No.	Description	Quantity	Finish
1	971198	6210 Faceplate	1	X
2	900288	6210/11/13/14/16/22/24/25/26 Screw Pkg.		X
		12-24 x 1/2" UFPHMS	2	
		Connector-E98/99/6000 ES	2	
3	900584	6210 Auxiliary Bolt Plate Pkg.		
		Aux. Bolt Plate - Schlage	1	
		Aux. Bolt Plate - Std.	1	
		Aux. Bolt Plate - Short	1	
4	900966	6210 Strike Pocket Insert Mounting Pkg.		
		6-32 x 1/4" FPHMS	2	
5	111244	6210 12VDC FS Box Assy.	1	
5	111246	6210 12VDC FSE Box Assy.	1	
5	111247	6210 24VDC FS Box Assy.	1	
5	111250	6210 24VDC FSE Box Assy.	1	
6	111251	6210 12VDC FS DS Box Assy.	1	
6	111264	6210 12VDC FSE DS Box Assy.	1	
6	111813	6216 24VDC FS DS Box Assy.	1	
6	111814	6216 24VDC FSE DS Box Assy.	1	
6	112754	6210 12VDC FS DS-LC Box Assy.	1	
6	112755	6210 12VDC FSE DS-LC Box Assy.	1	
6	112784	6210 24VDC FS DS-LC Box Assy.	1	
6	112785	6210 24VDC FSE DS-LC Box Assy.	1	
7	964019	#8 Ext. Tooth Lock Washer	1	
8	970384	DS Tripper Extension	1	
9	900344	DS Tripper Extension & Connector		
		Tripper Extension	1	
		4-40 x 1/8" Socket Head Cap Screw	2	
		Connector-E98/99/6000 ES	6	
10	990132	Connector-E98/99/6000 ES	1	

X in "Finish" column designates finished item; specify finish when ordering.

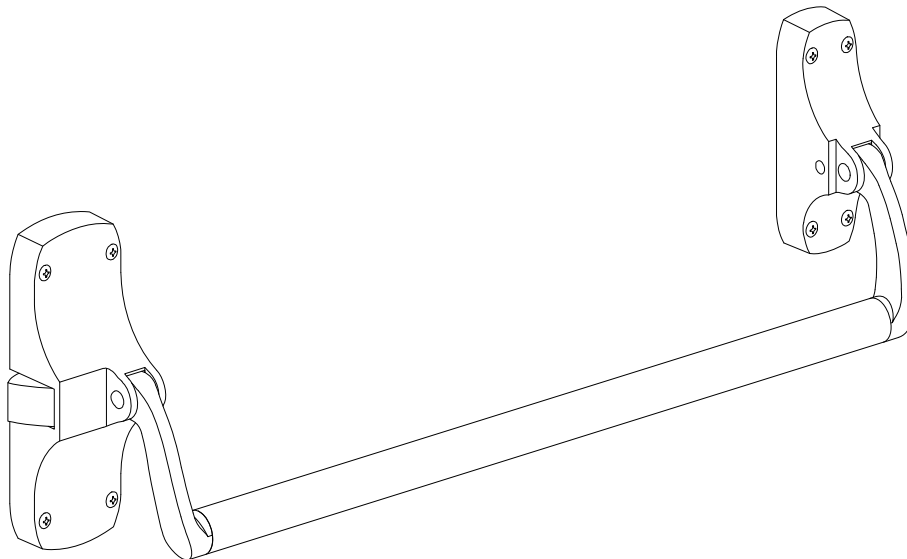


VON DUPRIN®

PARTS MANUAL

July 2009

88 RIM SERIES EXIT DEVICES



PM88 RIM_A
VD-5554

IR Ingersoll Rand
Security Technologies

Copyright © 2009 Ingersoll-Rand. All rights reserved.

INDEX

General Information

Introduction	2
How to Order	2
Part Number Changes	2
88 Rim Series Finishes	3
Outside Trim Functions	3
Strikes	3

88 Rim Series Device Parts

Crossbars	4
Lever Arm Kits	5
Lever Arm Parts Packages	6
End Case Kit and End Case Parts	8
Center Case Parts: EO, DT, and NL Panic Exit Devices	10
Center Case Parts: EO and NL Fire Exit Devices	12
Center Case Parts: TP Panic Exit Devices	14
Center Case Parts: TP Fire Exit Devices	16
Center Case Parts: K/L Panic Exit Devices	18
Center Case Parts: K/L Fire Exit Devices	20
Backplate Conversion Kits	22
Center Case Kits	23

INTRODUCTION

This manual contains a listing of replaceable parts and assemblies for the 88 Series Panic and FEH Devices.

HOW TO ORDER

Some parts are sold separately. Other items are available as part of a kit or multiple quantity package. For the best possible service when ordering replacement parts or assemblies, please provide the following information:

- Part number or assembly number
- Description
- Quantity needed
- Finish desired (if available finished)
- Date of original purchase (if known)

To find out the name of your local Von Duprin distributor or sales representative, contact:

Von Duprin Division
Ingersoll-Rand Company
2720 Tobey Drive
Indianapolis, Indiana 46219
Phone: (800) 999-0408
Fax: (800) 999-0328

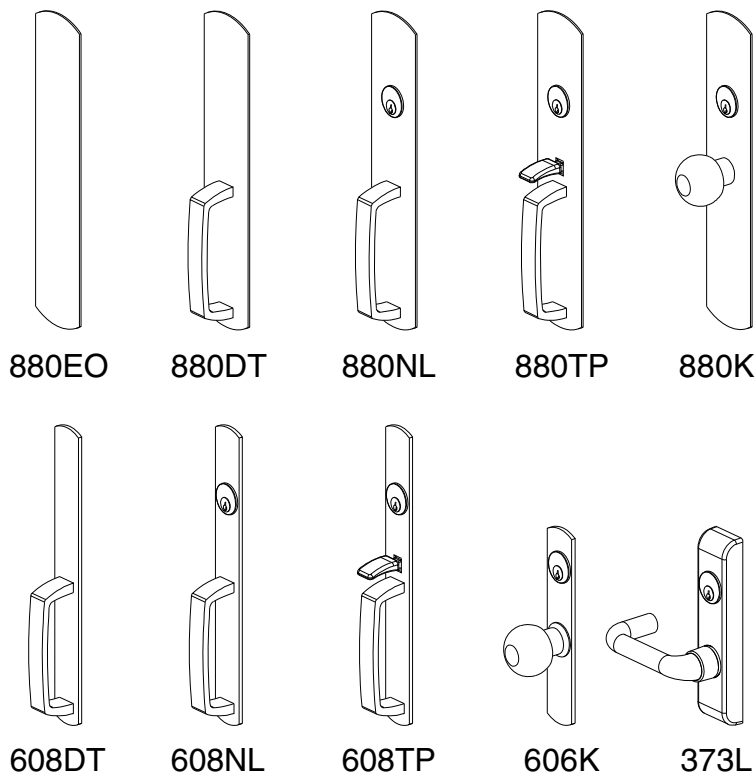
PART NUMBER CHANGES

This manual reflects the product as sold in July 2009. Because of changes to the product and/or manufacturing process, part numbers can change.

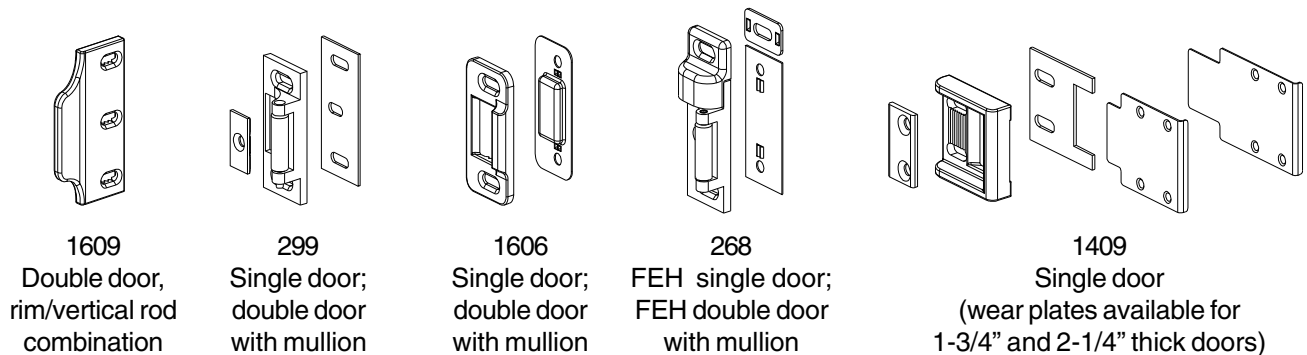
88 RIM SERIES FINISHES

US Number	BHMA Number	Color
US3	605	Brass, polished
US4	606	Brass, dull
US10	612	Bronze, dull
US10B	613	Brass, dull (oxidized)
US26	625	Chrome, polished
US26D	626	Chrome, dull
SPBLK	693	Gloss Black Powder Coat

OUTSIDE TRIM FUNCTIONS



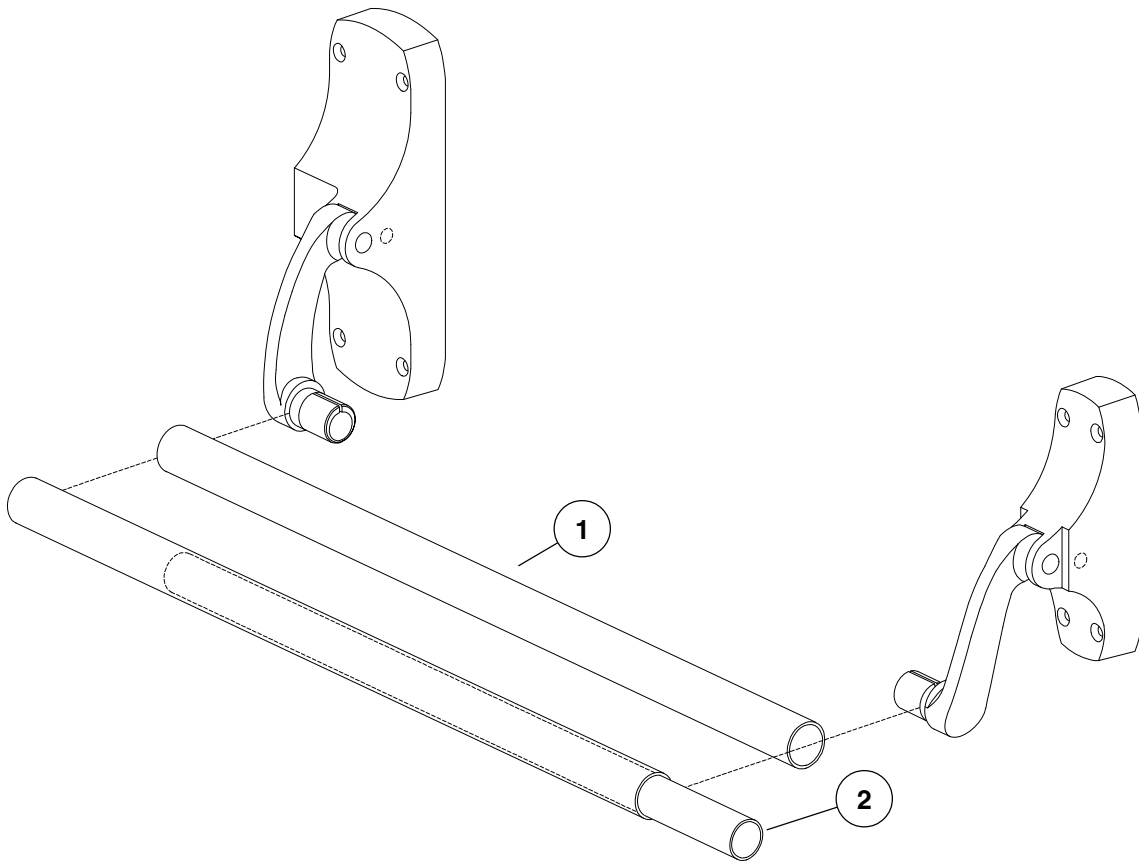
STRIKES



CROSSBARS

Item No.	Part No.	Description	Quantity	Finish
1	050004	42" Standard Crossbar Kit	1	X
1	050005	42" Knurled Crossbar Kit	1	X
2	050459	37" Crossbar Reinforcement Kit	1	

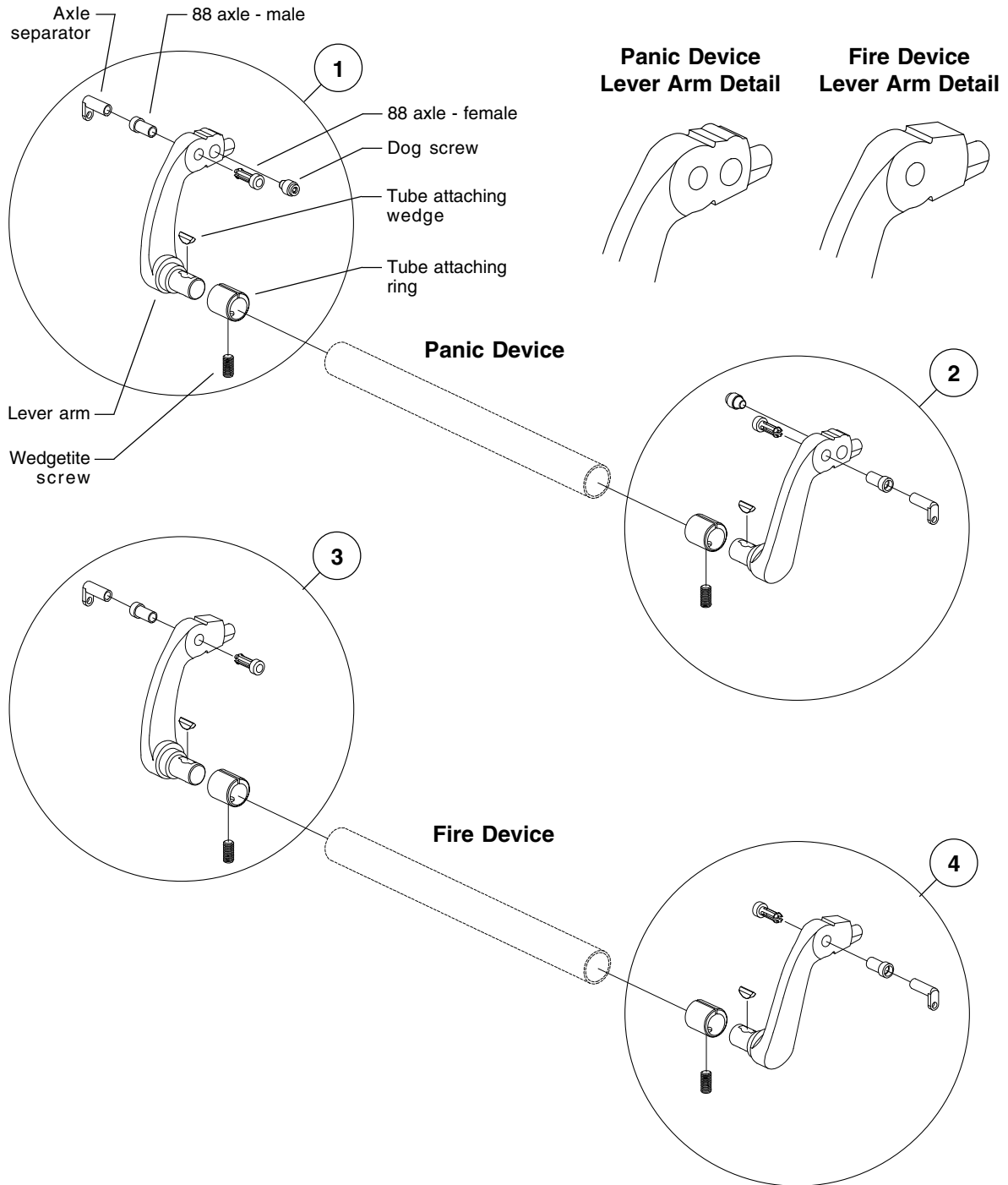
X in "Finish" column designates finished item; specify finish when ordering.



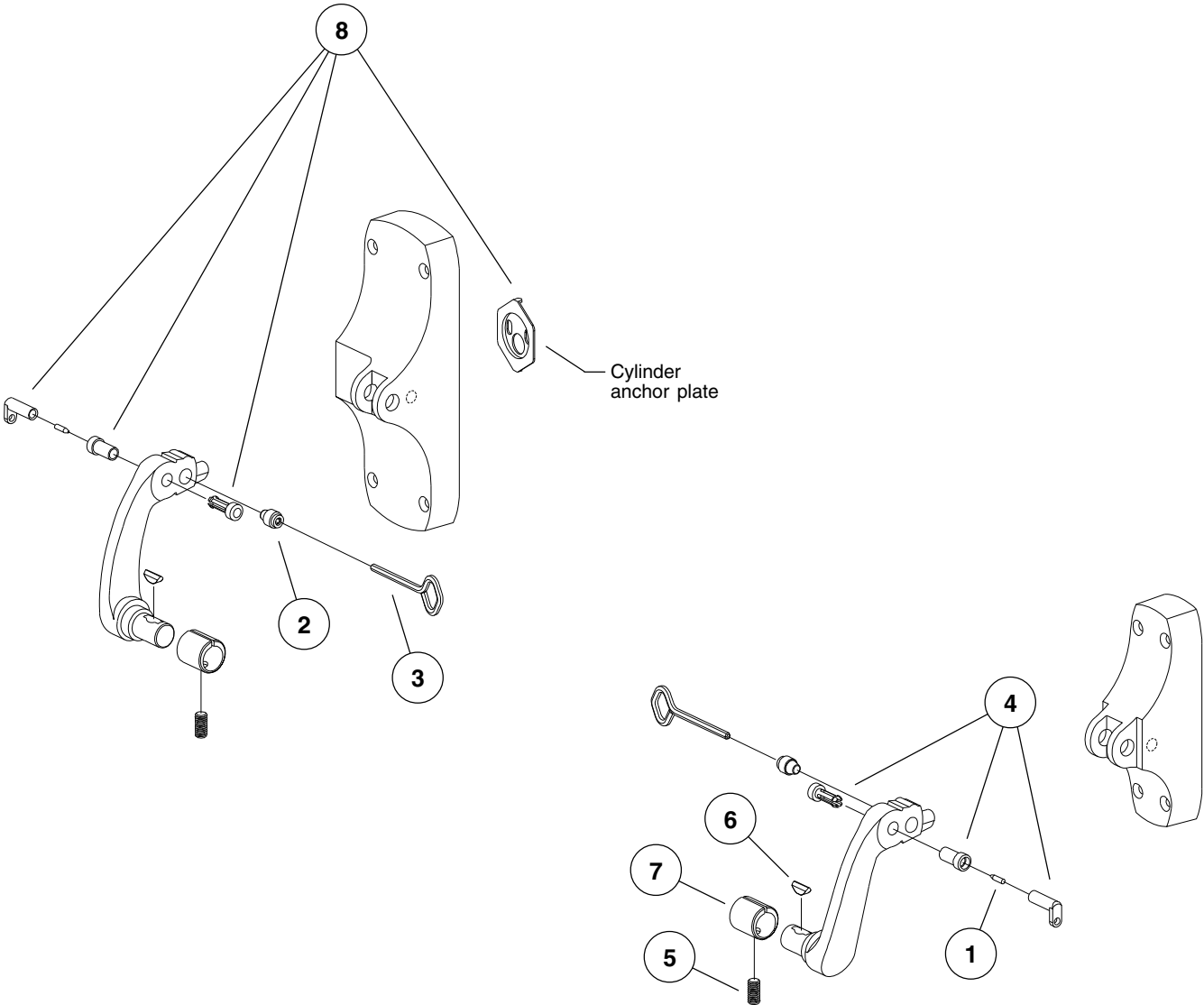
LEVER ARM KITS

Item No.	Part No.	Description	Quantity	Finish
1	050439	88 R/M/V LH Lever Arm Kit	1	X
2	050438	88 R/M/V RH Lever Arm Kit	1	X
3	050441	88-F Rim LH Lever Arm Kit	1	X
4	050440	88-F Rim RH Lever Arm Kit	1	X

X in "Finish" column designates finished item; specify finish when ordering.



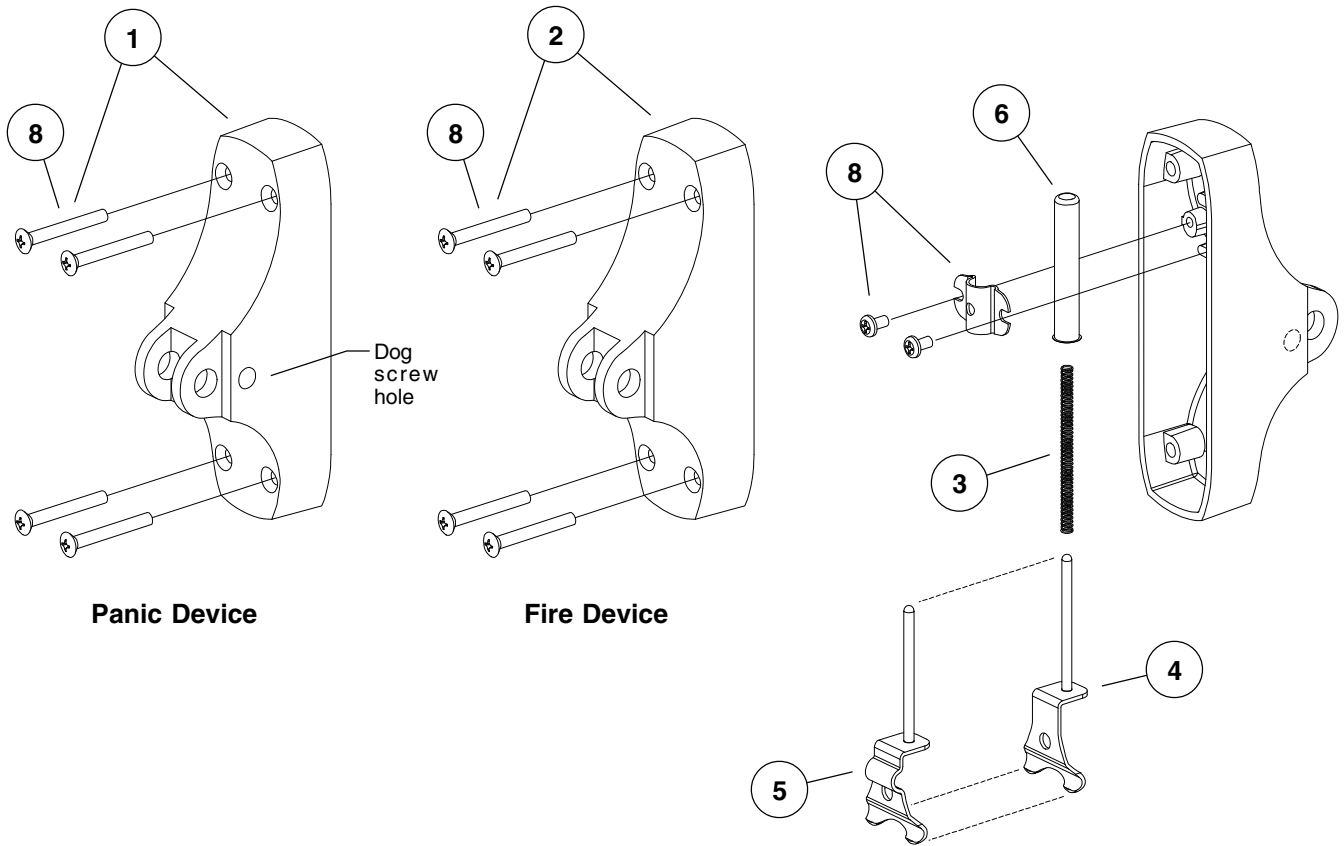
LEVER ARM PARTS PACKAGES



LEVER ARM PARTS PACKAGES

Item No.	Part No.	Description	Quantity	Finish
1	090007	Axle Security Pin Pkg.	10	
1	033022	Axle Security Pin Pkg.	50	
2	090004	Dog Screw Pkg.	2	
2	090083	Dog Screw Pkg.	10	
3	090005	227 Dog Key 5/32" Pkg.	2	
3	090085	227 Dog Key 5/32" Pkg.	10	
4	090006	Lever Arm Axle Pkg.		
		88 Axle Separator	2	
		88 Axle - Male	2	
		88 Axle - Female	2	
4	090082	Lever Arm Axle Pkg.		
		88 Axle Separator	10	
		88 Axle - Male	10	
		88 Axle - Female	10	
5	090008	Wedgetite Screw Pkg.	2	
5	090081	Wedgetite Screw Pkg.	30	
6	090020	Crossbar Tube Attaching Wedge Pkg.	2	
7	090021	Crossbar Tube Attaching Ring Pkg.	2	
8	103865	88 Lever Arm Axle Pkg.		
		Cyliner Anchor Plate	1	
		88 Axle Separator	1	
		88 Axle - Male	2	
		88 Axle - Female	2	

END CASE KIT AND END CASE PARTS

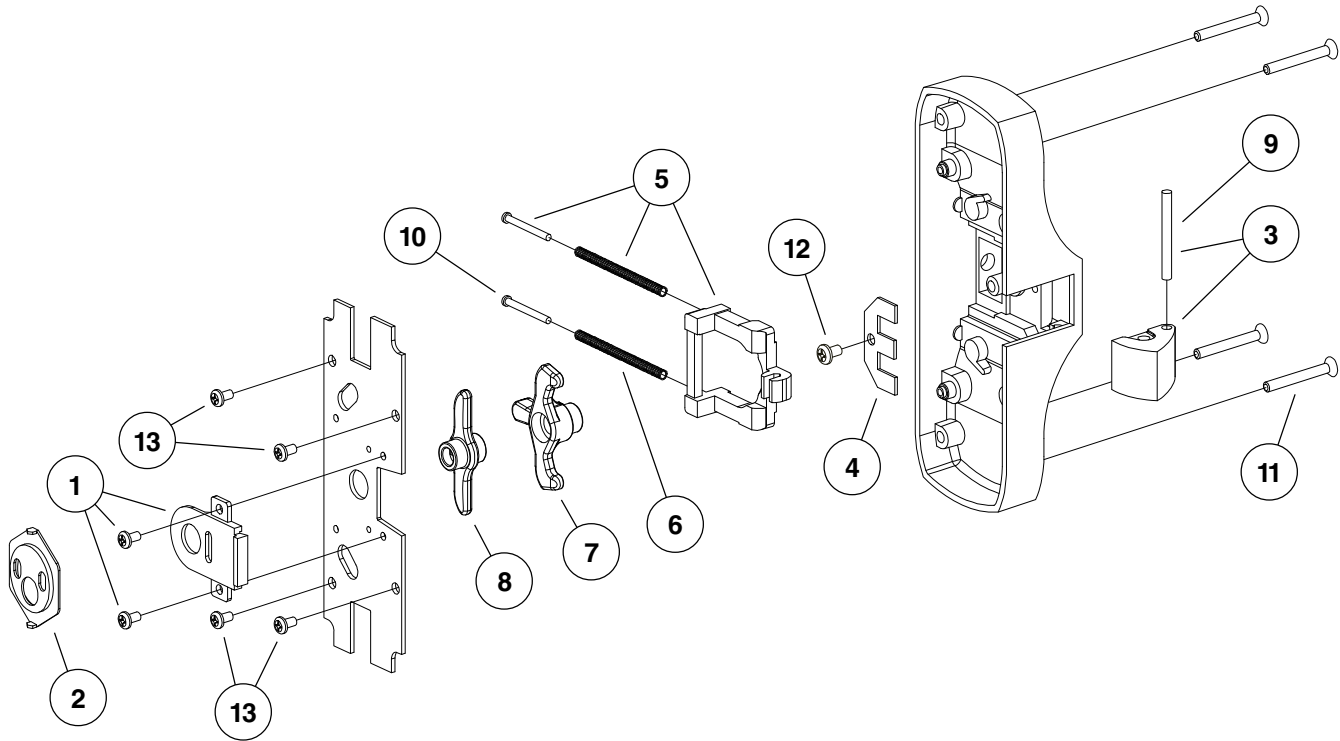


END CASE KIT AND END CASE PARTS

Item No.	Part No.	Description	Quantity	Finish
1	050435	88 R/M/V End Case Kit		X
		88 R/M/V End Case	1	
		10-24 x 1-1/2" OPHMS	4	
		10-24 x 2" OPHMS	4	
		10-12 x 10-24 x 2" OPHCS	4	
2	050437	88-F Rim End Case Kit		X
		88-F End Case	1	
		10-24 x 1-1/2" OPHMS	4	
		10-24 x 2" OPHMS	4	
		10-12 x 10-24 x 2" OPHCS	4	
3	090003	88 End Case Spring Pkg.	2	
3	090080	88 End Case Spring Pkg.	10	
4	050451	88 End Case Spring Stop Kit	1	
5	050452	88-F End Case Spring Stop Kit	1	
6	050476	88/88-F End Case Spring Tube	1	
7	050477	88/88-F Spring Tube Bracket w/Screws Kit		
		88/88-F Spring Tube Bracket	1	
		88/88-F Spring Tube Bracket Screws	2	
8	900503	88 Center or End Case Mtg. Pkg. (CS and MS screws)		X
		10-24 x 1-1/2" OPHMS	4	
		10-24 x 2" OPHMS	4	
		10-12 x 10-24 x 2" OPHCS	4	
8	900504	88 Center or End Case Mtg. Pkg. (CS screws)		X
		10-12 x 10-24 x 2" OPHCS	4	
8	900505	88 Center or End Case Mtg. Pkg. (MS screws 1-3/4" door)		X
		10-24 x 1-1/2" OPHMS	4	
8	900506	88 Center or End Case Mtg. Pkg. (MS screws 2-1/4" door)		X
		10-24 x 2" OPHMS	4	

X in "Finish" column designates finished item; specify finish when ordering.

CENTER CASE PARTS: EO, DT, AND NL PANIC EXIT DEVICES

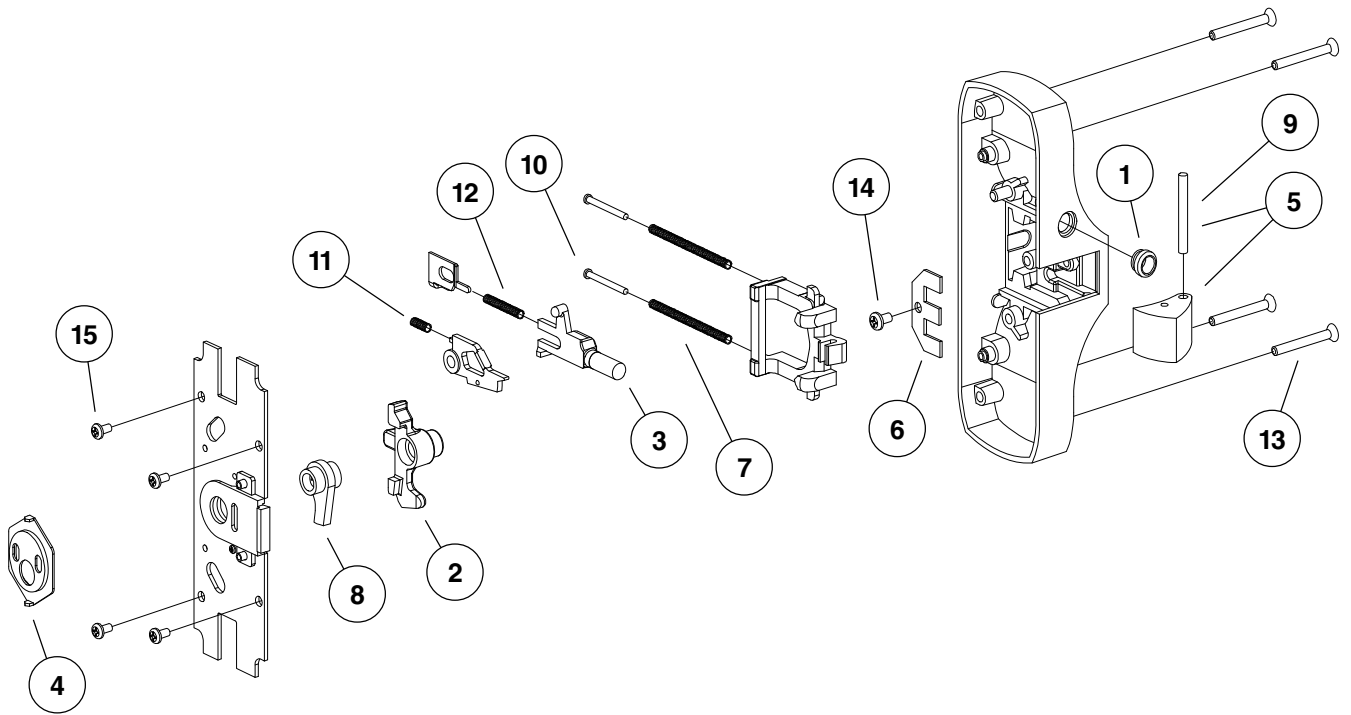


CENTER CASE PARTS: EO, DT, AND NL PANIC EXIT DEVICES

Item No.	Part No.	Description	Quantity	Finish
1	050260	88 Rim Auxiliary Backplate Kit		X
		88 Rim Auxiliary Backplate	1	
		8-32 x 5/16" PPHMS	2	
2	050331	88 Cylinder Anchor Plate	1	
3	050497	88 Latchbolt w/Axle Kit		
		88 Rim Latchbolt	1	
		88 Rim Latchbolt Axle	1	
4	050499	88 Rim Latch Retainer Plate	1	
5	050500	88 Rim Latch Tail, Spring, Rivet Kit		
		88 Rim Latch Tail Rivet	2	
		88 Rim Latch Tail Spring	2	
		88 Rim Latch Tail	1	
6	050393	88 Rim Latch Tail Spring Pkg.	10	
7	050501	88 Rim Master Cam	1	
8	050502	88NL Cylinder Cam	1	
9	090001	88 Rim Latch Bolt Axle Pkg.	4	
10	090002	88 Rim Center Case Rivet Pkg.	10	
11	900503	88 Center or End Case Mtg. Pkg. (CS and MS screws)		X
		10-24 x 1-1/2" OPHMS	4	
		10-24 x 2" OPHMS	4	
		10-12 x 10-24 x 2" OPHCS	4	
11	900504	88 Center or End Case Mtg. Pkg. (CS screws)		X
		10-12 x 10-24 x 2" OPHCS	4	
11	900505	88 Center or End Case Mtg. Pkg. (MS screws 1-3/4" door)		X
		10-24 x 1-1/2" OPHMS	4	
11	900506	88 Center or End Case Mtg. Pkg. (MS screws 2-1/4" door)		X
		10-24 x 2" OPHMS	4	
12	900610	88 Rim Latch Retainer Plate Screw Pkg.		
		10-24 x 5/16" PPHMS Thd. Cut	10	
13	900613	88 Backplate Screw Pkg.		
		8-32 x 3/8" PPH TF	4	

X in "Finish" column designates finished item; specify finish when ordering.

CENTER CASE PARTS: EO AND NL FIRE EXIT DEVICES

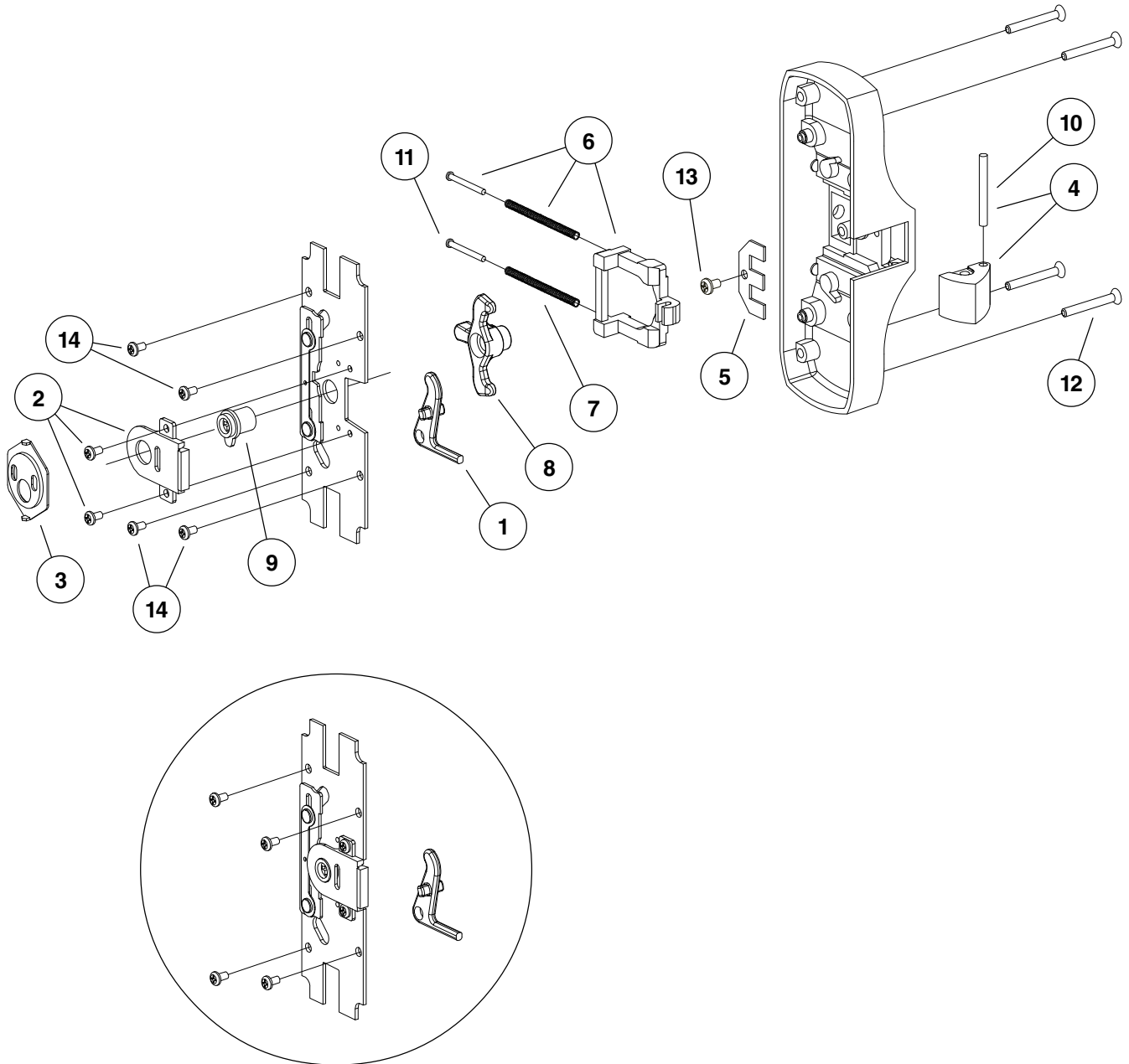


CENTER CASE PARTS: EO AND NL FIRE EXIT DEVICES

Item No.	Part No.	Description	Quantity	Finish
1	050272	88-F Auxiliary Bolt Bushing	1	
2	050274	88-F Master Cam LH (shown)	1	
2	050273	88-F Master Cam RH (not shown)	1	
3	050276	88-F Auxiliary Bolt LH (shown)	1	
3	050275	88-F Auxiliary Bolt RH (not shown)	1	
4	050331	88 Cylinder Anchor Plate	1	
5	050498	88-F Latchbolt w/Axle Kit		
		88-F Rim Latchbolt	1	
		88 Rim Latchbolt Axle	1	
6	050499	88 Rim Latch Retainer Plate	1	
7	050393	88 Rim Latch Tail Spring Pkg.	10	
8	050503	88NL-FCylinder Cam	1	
9	090001	88 Rim Latch Bolt Axle Pkg.	4	
10	090002	88 Rim Center Case Rivet Pkg.	10	
11	090009	88-F Rim Gravity Dog Spring Pkg.	5	
12	090017	88-F Auxiliary Bolt Return Spring Pkg.	5	
13	900503	88 Center or End Case Mtg. Pkg. (CS and MS screws)		X
		10-24 x 1-1/2" OPHMS	4	
		10-24 x 2" OPHMS	4	
		10-12 x 10-24 x 2" OPHCS	4	
13	900504	88 Center or End Case Mtg. Pkg. (CS screws)		X
		10-12 x 10-24 x 2" OPHCS	4	
13	900505	88 Center or End Case Mtg. Pkg. (MS screws 1-3/4" door)		X
		10-24 x 1-1/2" OPHMS	4	
13	900506	88 Center or End Case Mtg. Pkg. (MS screws 2-1/4" door)		X
		10-24 x 2" OPHMS	4	
14	900610	88 Rim Latch Retainer Plate Screw Pkg.		
		10-24 x 5/16" PPHMS Thd. Cut	10	
15	900613	88 Backplate Screw Pkg.		
		8-32 x 3/8" PPH TF	4	

X in "Finish" column designates finished item; specify finish when ordering.

CENTER CASE PARTS: TP PANIC EXIT DEVICES



Part No. 050102, 88CK-TP Conversion Kit;
replaces item No. 1, 88 Thumbpiece Lift Replacement Kit,
for 88TP devices shipped after June 2000

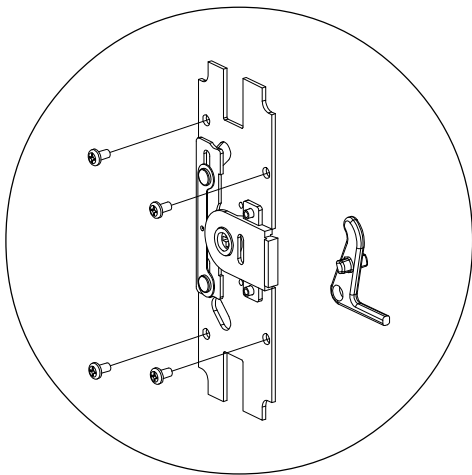
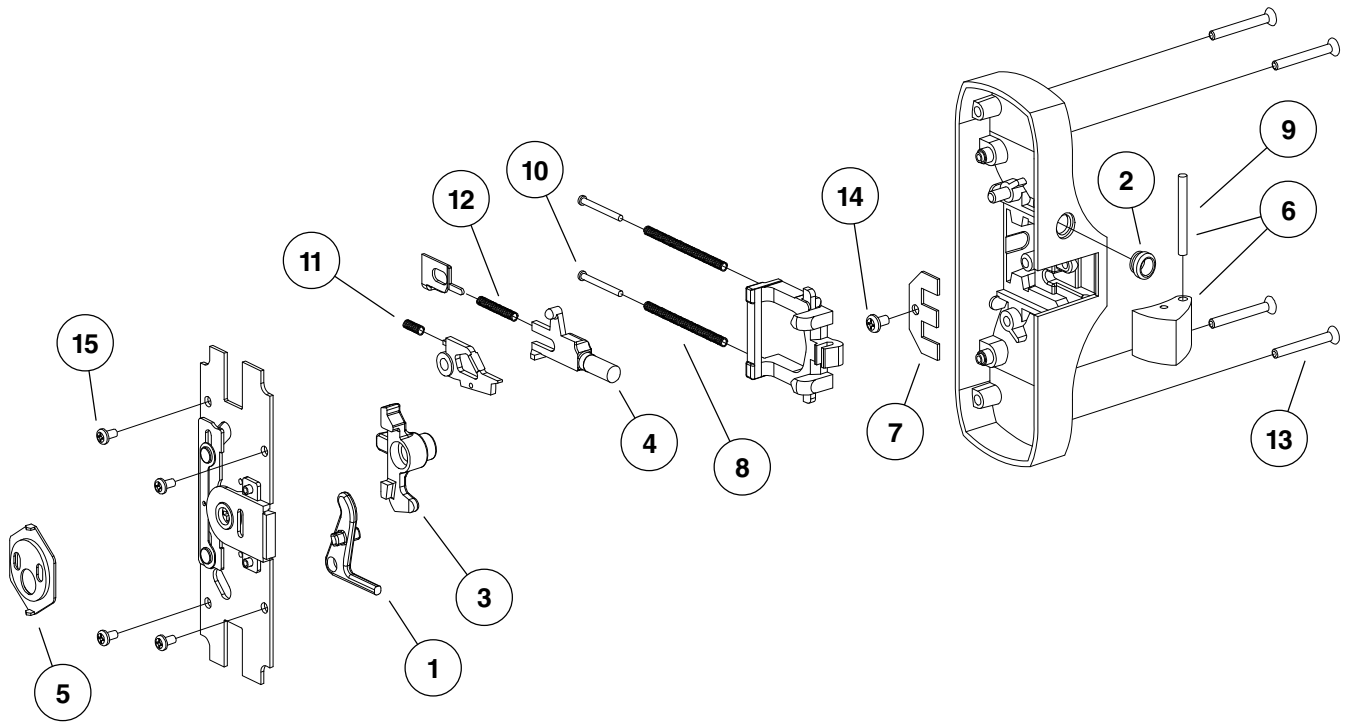
CENTER CASE PARTS: TP PANIC EXIT DEVICES

Item No.	Part No.	Description	Quantity	Finish
1	050019	88 Thumbpiece Lift Replacement Kit *	1	
2	050260	88 Rim Auxiliary Backplate		X
		88 Rim Auxiliary Backplate	1	
		8-32 x 5/16" PPHMS	2	
3	050331	88 Cylinder Anchor Plate	1	
4	050497	88 Latchbolt w/Axle Kit		
		88 Rim Latchbolt	1	
		88 Rim Latchbolt Axle	1	
5	050499	88 Rim Latch Retainer Plate	1	
6	050500	88 Rim Latch Tail, Spring, Rivet Kit		
		88 Rim Latch Tail Rivet	2	
		88 Rim Latch Tail Spring	2	
		88 Rim Latch Tail	1	
7	050393	88 Rim Latch Tail Spring Pkg.	10	
8	050501	88 Rim Master Cam	1	
9	050508	88TP/TP-F Cylinder Cam	1	
10	090001	88 Rim Latch Bolt Axle Pkg.	4	
11	090002	88 Rim Center Case Rivet Pkg.	10	
12	900503	88 Center or End Case Mtg. Pkg. (CS and MS screws)		X
		10-24 x 1-1/2" OPHMS	4	
		10-24 x 2" OPHMS	4	
		10-12 x 10-24 x 2" OPHCS	4	
12	900504	88 Center or End Case Mtg. Pkg. (CS screws)		X
		10-12 x 10-24 x 2" OPHCS	4	
12	900505	88 Center or End Case Mtg. Pkg. (MS screws 1-3/4" door)		X
		10-24 x 1-1/2" OPHMS	4	
12	900506	88 Center or End Case Mtg. Pkg. (MS screws 2-1/4" door)		X
		10-24 x 2" OPHMS	4	
13	900610	88 Rim Latch Retainer Plate Screw Pkg.		
		10-24 x 5/16" PPHMS Thd. Cut	10	
14	900613	88 Backplate Screw Pkg.		
		8-32 x 3/8" PPH TF	4	

X in "Finish" column designates finished item; specify finish when ordering.

* For 88TP devices shipped after June 2000; for devices shipped before June 2000, use replacement part No. 050102.

CENTER CASE PARTS: TP FIRE EXIT DEVICES



Part No. 050107, 88CK-TP-F Conversion Kit;
replaces item No. 1, 88 Thumbpiece Lift Replacement Kit,
for 88TP-F devices shipped after June 2000

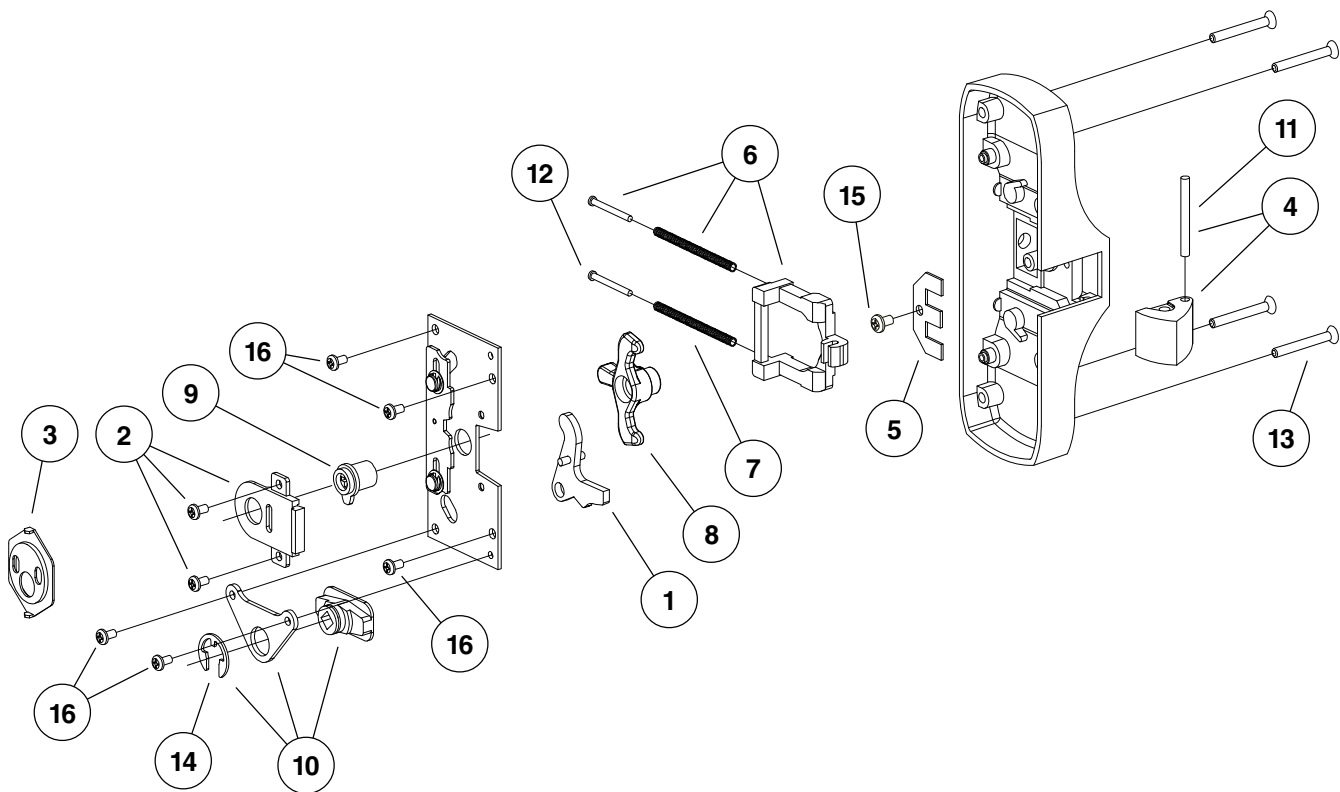
CENTER CASE PARTS: TP FIRE EXIT DEVICES

Item No.	Part No.	Description	Quantity	Finish
1	050019	88 Thumbpiece Lift Replacement Kit *	1	
2	050272	88-F Auxiliary Bolt Bushing	1	
3	050274	88-F Master Cam LH (shown)	1	
3	050273	88-F Master Cam RH (not shown)	1	
4	050276	88-F Auxiliary Bolt LH (shown)	1	
4	050275	88-F Auxiliary Bolt RH (not shown)	1	
5	050331	88 Cylinder Anchor Plate	1	
6	050498	88-F Latchbolt w/Axle Kit		
		88-F Rim Latchbolt	1	
		88 Rim Latchbolt Axle	1	
7	050499	88 Rim Latch Retainer Plate	1	
8	050393	88 Rim Latch Tail Spring Pkg.	10	
9	090001	88 Rim Latch Bolt Axle Pkg.	4	
10	090002	88 Rim Center Case Rivet Pkg.	10	
11	090009	88-F Rim Gravity Dog Spring Pkg.	5	
12	090017	88-F Auxiliary Bolt Return Spring Pkg.	5	
13	900503	88 Center or End Case Mtg. Pkg. (CS and MS screws)		X
		10-24 x 1-1/2" OPHMS	4	
		10-24 x 2" OPHMS	4	
		10-12 x 10-24 x 2" OPHCS	4	
13	900504	88 Center or End Case Mtg. Pkg. (CS screws)		X
		10-12 x 10-24 x 2" OPHCS	4	
13	900505	88 Center or End Case Mtg. Pkg. (MS screws 1-3/4" door)		X
		10-24 x 1-1/2" OPHMS	4	
13	900506	88 Center or End Case Mtg. Pkg. (MS screws 2-1/4" door)		X
		10-24 x 2" OPHMS	4	
14	900610	88 Rim Latch Retainer Plate Screw Pkg.		
		10-24 x 5/16" PPHMS Thd. Cut	10	
15	900613	88 Backplate Screw Pkg.		
		8-32 x 3/8" PPH TF	4	

X in "Finish" column designates finished item; specify finish when ordering.

* For 88TP-F devices shipped after June 2000; for devices shipped before June 2000, use replacement part No. 050107.

CENTER CASE PARTS: K/L PANIC EXIT DEVICES

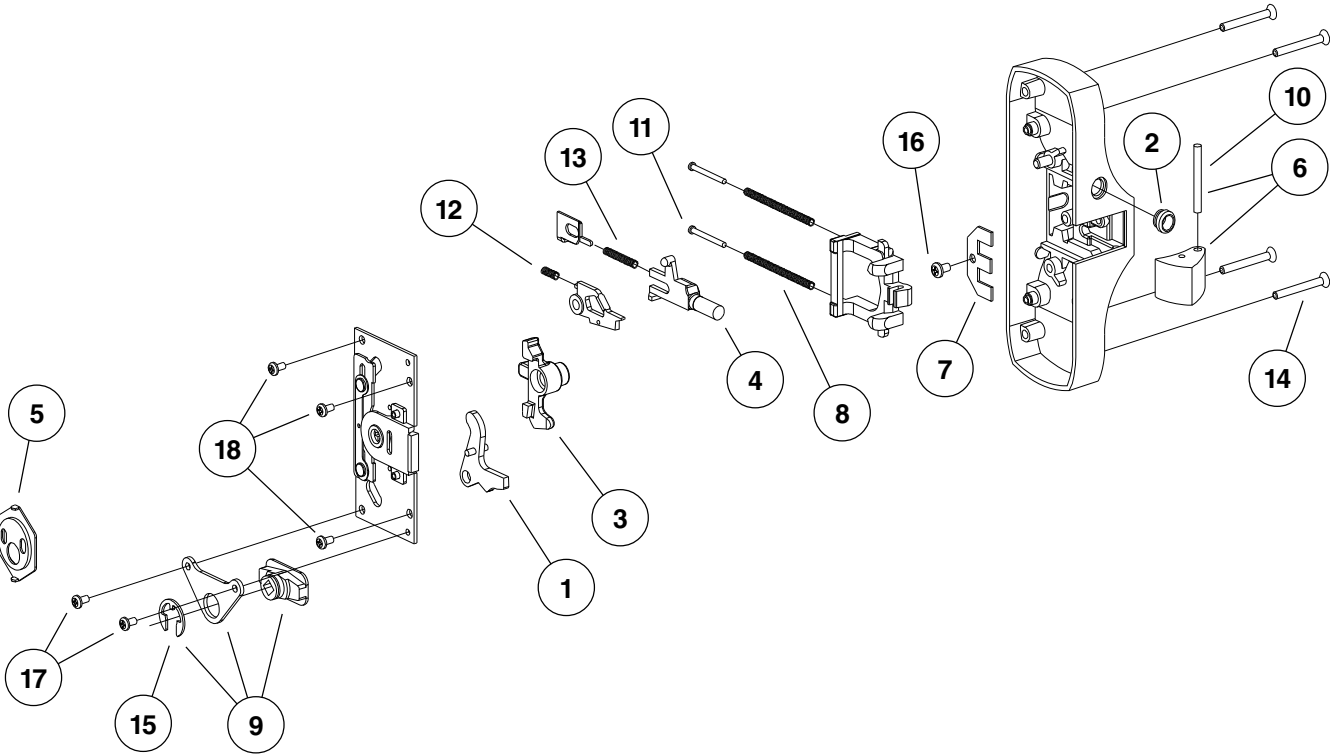


CENTER CASE PARTS: K/L PANIC EXIT DEVICES

Item No.	Part No.	Description	Quantity	Finish
1	050504	88K/L-F Knob Cam Lift	1	
2	050260	88 Rim Auxiliary Backplate		X
		88 Rim Auxiliary Backplate	1	
		8-32 x 5/16" PPHMS	2	
3	050331	88 Cylinder Anchor Plate	1	
4	050497	88 Latchbolt w/Axle Kit		
		88 Rim Latchbolt	1	
		88 Rim Latchbolt Axle	1	
5	050499	88 Rim Latch Retainer Plate	1	
6	050500	88 Rim Latch Tail, Spring, Rivet Kit		
		88 Rim Latch Tail Rivet	2	
		88 Rim Latch Tail Spring	2	
		88 Rim Latch Tail	1	
7	050393	88 Rim Latch Tail Spring Pkg.	10	
8	050501	88 Rim Master Cam	1	
9	050505	88K/L-F Cylinder Cam	1	
10	050506	88K/L-F Knob Cam Bracket Assy.	1	
11	090001	88 Rim Latch Bolt Axle Pkg.	4	
12	090002	88 Rim Center Case Rivet Pkg.	10	
13	900503	88 Center or End Case Mtg. Pkg. (CS and MS screws)		X
		10-24 x 1-1/2" OPHMS	4	
		10-24 x 2" OPHMS	4	
		10-12 x 10-24 x 2" OPHCS	4	
13	900504	88 Center or End Case Mtg. Pkg. (CS screws)		X
		10-12 x 10-24 x 2" OPHCS	4	
13	900505	88 Center or End Case Mtg. Pkg. (MS screws 1-3/4" door)		X
		10-24 x 1-1/2" OPHMS	4	
13	900506	88 Center or End Case Mtg. Pkg. (MS screws 2-1/4" door)		X
		10-24 x 2" OPHMS	4	
14	090015	88K/L-F Retaining Ring Pkg.	10	
15	900610	88 Rim Latch Retainer Plate Screw Pkg.		
		10-24 x 5/16" PPHMS Thd. Cut	10	
16	900613	88 Backplate Screw Pkg.		
		8-32 x 3/8" PPH TF	4	

X in "Finish" column designates finished item; specify finish when ordering.

CENTER CASE PARTS: K/L FIRE EXIT DEVICES



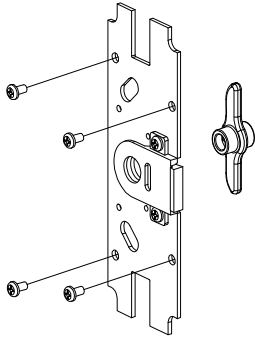
CENTER CASE PARTS: K/L FIRE EXIT DEVICES

Item No.	Part No.	Description	Quantity	Finish
1	050504	88K/L-F Knob Cam Lift	1	
2	050272	88-F Auxiliary Bolt Bushing	1	
3	050274	88-F Master Cam LH (shown)	1	
3	050273	88-F Master Cam RH (not shown)	1	
4	050276	88-F Auxiliary Bolt LH (shown)	1	
4	050275	88-F Auxiliary Bolt RH (not shown)	1	
5	050331	88 Cylinder Anchor Plate	1	
6	050498	88-F Latchbolt w/Axle Kit		
		88-F Rim Latchbolt	1	
		88 Rim Latchbolt Axle	1	
7	050499	88 Rim Latch Retainer Plate	1	
8	050393	88 Rim Latch Tail Spring Pkg.	10	
9	050506	88K/L-F Knob Cam Bracket Assy.	1	
10	090001	88 Rim Latch Bolt Axle Pkg.	4	
11	090002	88 Rim Center Case Rivet Pkg.	10	
12	090009	88-F Rim Gravity Dog Spring Pkg.	5	
13	090017	88-F Auxiliary Bolt Return Spring Pkg.	5	
14	900503	88 Center or End Case Mtg. Pkg. (CS and MS screws)		X
		10-24 x 1-1/2" OPHMS	4	
		10-24 x 2" OPHMS	4	
		10-12 x 10-24 x 2" OPHCS	4	
14	900504	88 Center or End Case Mtg. Pkg. (CS screws)		X
		10-12 x 10-24 x 2" OPHCS	4	
14	900505	88 Center or End Case Mtg. Pkg. (MS screws 1-3/4" door)		X
		10-24 x 1-1/2" OPHMS	4	
14	900506	88 Center or End Case Mtg. Pkg. (MS screws 2-1/4" door)		X
		10-24 x 2" OPHMS	4	
15	090015	88K/L-F Retaining Ring Pkg.	10	
16	900610	88 Rim Latch Retainer Plate Screw Pkg.		
		10-24 x 5/16" PPHMS Thd. Cut	10	
17	900613	88 Backplate Screw Pkg.		
		8-32 x 3/8" PPH TF	4	

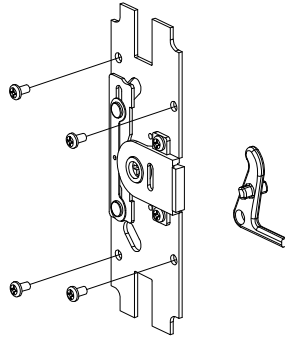
X in "Finish" column designates finished item; specify finish when ordering.

BACKPLATE CONVERSION KITS

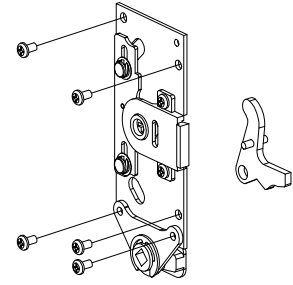
Specify Finish when Ordering Backplate Conversion Kits



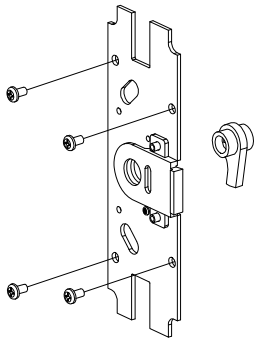
Description: 88CK-NL
Part No. 050101



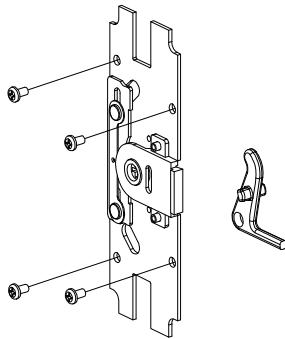
Description: 88CK-TP
Part No. 050102



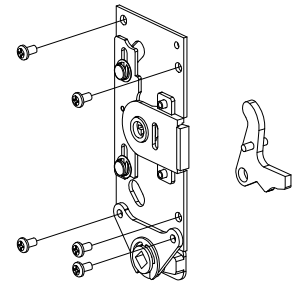
Description: 88CK-K/L
Part No. 050103



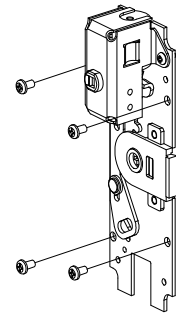
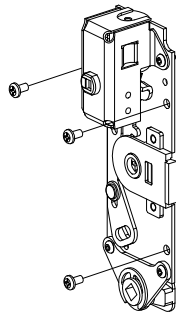
Description: 88CK-NL-F
Part No. 050106



Description: 88CK-TP-F
Part No. 050107



Description: 88CK-K/L-F
Part No. 050108

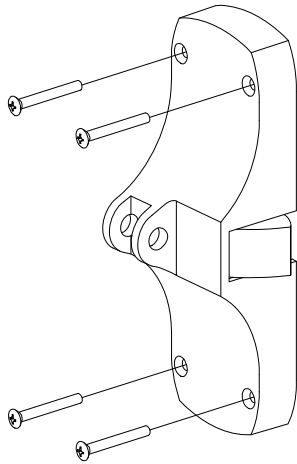


Description	Part No.
E88K RHR FSE 24VDC	050336
E88K LHR FSE 24VDC	050337
E88K RHR FS 24VDC	050338
E88K LHR FS 24VDC	050339
E88K RHR FSE 24VAC	050344
E88K LHR FSE 24VAC	050345
E88K RHR FS 24VAC	050346
E88K LHR FS 24VAC	050347

Description	Part No.
E88TP RHR FSE 24VDC	050341
E88TP LHR FSE 24VDC	050341
E88TP RHR FS 24VDC	050342
E88TP LHR FS 24VDC	050343
E88TP RHR FSE 24VAC	050348
E88TP LHR FSE 24VAC	050349
E88TP RHR FS 24VAC	050350
E88TP LHR FS 24VAC	050351

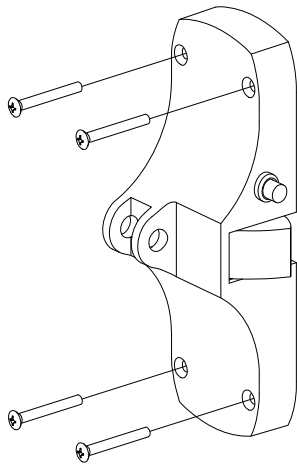
CENTER CASE KITS

Specify Finish when Ordering Center Case Kits



Panic Exit Device Center Case Kit
RHR shown

Description (Panic Exit Devices)	Part No.
88EO/DT/NL - - -	050409
88TP - - -	050410
88K/L RHR - -	050411
88K/L LHR - -	050412
E88K RHR FSE 24VDC	050336
E88K LHR FSE 24VDC	050337
E88K RHR FS 24VDC	050338
E88K LHR FS 24VDC	050339
E88K RHR FSE 24VAC	050344
E88K LHR FSE 24VAC	050345
E88K RHR FS 24VAC	050346
E88K LHR FS 24VAC	050347



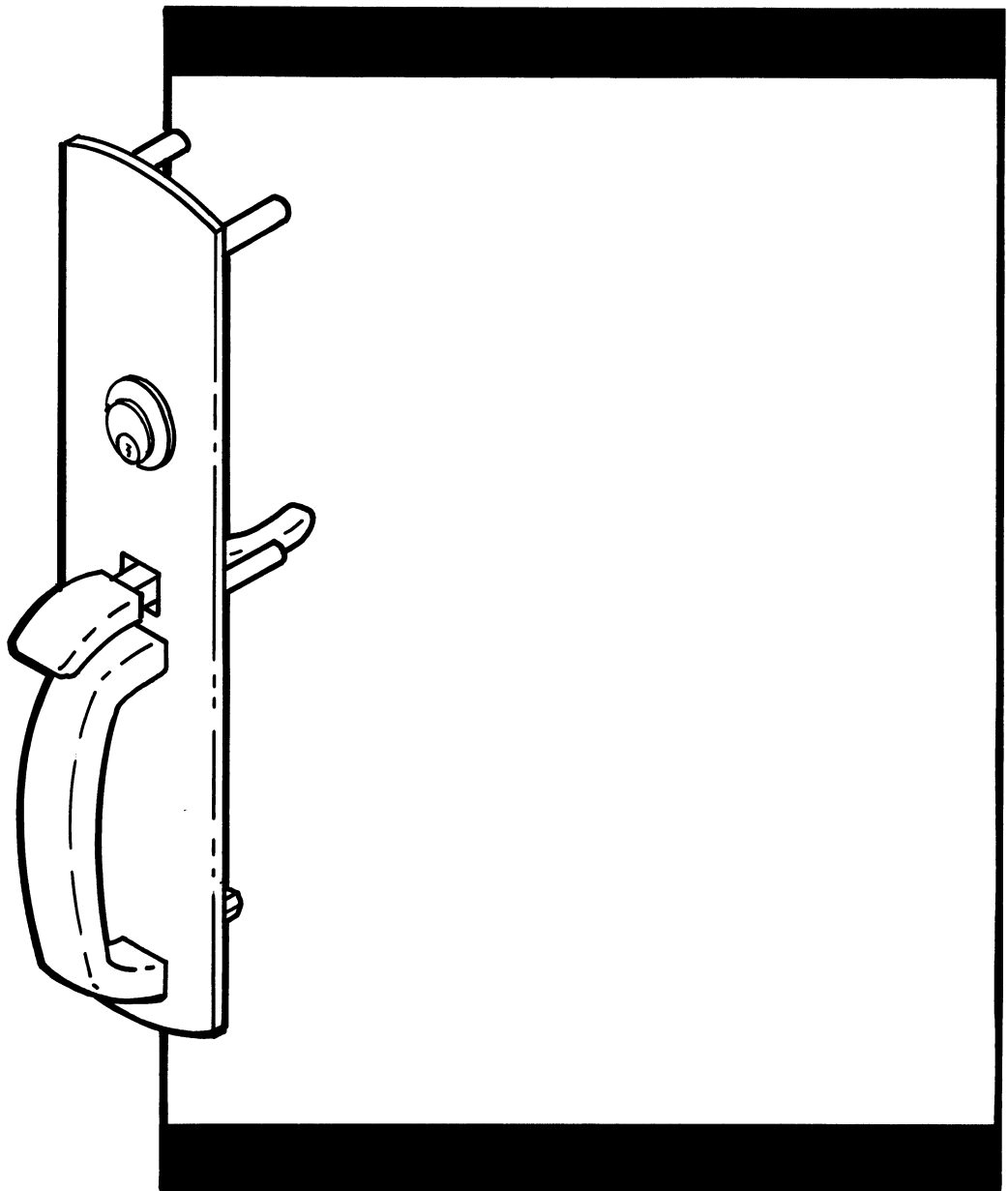
Fire Exit Device Center Case Kit
RHR shown

Description (Fire Exit Devices)	Part No.
88EO-F/NL-F RHR - -	050424
88EO-F/NL-F LHR - -	050425
88TP-F RHR - -	050426
88TP-F LHR - -	050427
88K/L-F RHR - -	050428
88K/L-F LHR - -	05029
E88K-F RHR FSE 24VDC	050311
E88K-F LHR FSE 24VDC	050312
E88K-F RHR FS 24VDC	050313
E88K-F LHR FS 24VDC	050314
E88TP-F RHR FSE 24VDC	050315
E88TP-F LHR FSE 24VDC	050316
E88TP-F RHR FS 24VDC	050317
E88TP-F LHR FS 24VDC	050318
E88K-F RHR FSE 24VAC	050319
E88K-F LHR FSE 24VAC	050320
E88K-F RHR FS 24VAC	050321
E88K-F LHR FS 24VAC	050322
E88TP-F RHR FSE 24VAC	050323
E88TP-F LHR FSE 24VAC	050324
E88TP-F RHR FS 24VAC	050325
E88TP-F LHR FS 24VAC	050326

VON DUPRIN

PARTS MANUAL

880 Series Trim



Index

Device Features	2
Mounting Screw Pkgs.....	2
Parts List—EO & DT	3
Parts List—NL	4
Parts List—K	5
Parts List—K-BE	5
Parts List—K-DT	6
Parts List—K-Rigid	6
Parts List—TP & TP-BE	7

Trim in this Manual:

880 EO Trim
 880 DT Trim
 880 NL Trim
 880 K Trim
 880 K-BE Trim
 880 K-DT Trim
 880 KR Trim
 880 TP Trim
 880 TP-BE Trim

Trim Functions:

EO—Exit Only
 DT—Dummy Trim
 NL—Night Latch
 K—Knob
 KR—Rigid Knob
 TP—Thumbpiece
 BE—Blank Escutcheon

Trim Dimensions:

Trim	Escutcheon Plate Size	Projection
880EO	3" × 14 ³ / ₁₆ " × ³ / ₃₂ "	—
880DT	3" × 14 ³ / ₁₆ " × ³ / ₃₂ "	2"
880NL	3" × 14 ³ / ₁₆ " × ³ / ₃₂ "	2"
880K	3" × 14 ³ / ₁₆ " × ³ / ₃₂ "	2 ³ / ₄ "
880K-BE	3" × 14 ³ / ₁₆ " × ³ / ₃₂ "	2 ³ / ₄ "
880K-DT	3" × 14 ³ / ₁₆ " × ³ / ₃₂ "	2 ³ / ₄ "
880K-Rigid	3" × 14 ³ / ₁₆ " × ³ / ₃₂ "	2 ³ / ₄ "
880TP	3" × 14 ³ / ₁₆ " × ³ / ₃₂ "	2"
880TP-BE	3" × 14 ³ / ₁₆ " × ³ / ₃₂ "	2"

© Copyright 1991, Von Duprin, Inc.

Introduction

This manual contains product specifications, a complete listing of replaceable parts and assemblies, and general maintenance information for the 880 trim series. For your convenience, the parts lists refer directly to the product illustrations. The assemblies are represented by letters and the component parts are represented by numbers. The parts lists also show the quantity of parts or assemblies required for each device.

For the best possible service when ordering replacement parts or assemblies, please provide the following information:

- Part or Assembly number
- Description
- Quantity needed
- Finish desired (if available finished)
- Delivery information

Send orders to:

Von Duprin
 2720 Tobey Drive
 P.O. Box 6023
 Indianapolis, IN 46206
 (317) 613-8944

or contact your local Von Duprin distributor or sales representative.

Trim Finishes:

U.S. Std. Ref.	BHMA Ref.	V. D. Ref.	Description
US3	605	03	Polished Brass—Lacquered
*US10	612	10	Dull Bronze—Lacquered
US10A	—	11	Dull Bronze—No Lacquer
US10B	613	13	Dull Bronze—Oxidized-Oil Rubbed
US26	625	25	Polished Chrome
*US26D	626	26	Dull Chrome
US32	629	31	Polished Stainless Steel
US32D	630	32	Satin Stainless Steel

*Denotes Standard Finishes

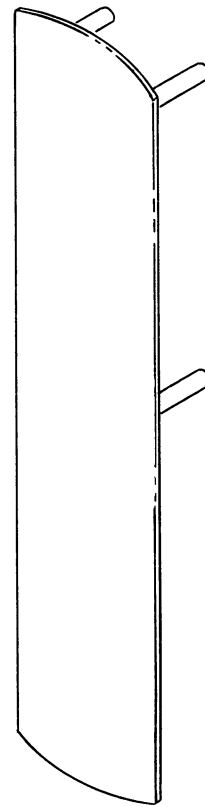
Mounting Screw Packages:

Mtg. Pkg. No.	Part No.	Qty.	Description
900533-10	963000	4	#10-24 × 1 ¹ / ₂ " OPHMS—Bronze
900533-32	963002	4	#10-24 × 1 ¹ / ₂ " OPHMS—St. Steel
900766-10	963136	4	#10-24 × 2" OPHMS—Bronze
900766-32	963137	4	#10-24 × 2" OPHMS—St. Steel
900771-10	963056 963116	1 1	#12 C' Sink Washer—Bronze #12-24 × 1" OPHMS—Bronze
900771-32	963057 963117	1 1	#12 C' Sink Washer—St. Steel #12-24 × 1" OPHMS—St. Steel
900752-10	963056 963016	1 1	#12 C' Sink Washer—Bronze #12-24 × 1 ¹ / ₂ " OPHMS—Bronze
900752-32	963057 963020	1 1	#12 C' Sink Washer—St. Steel #12-24 × 1 ¹ / ₂ " OPHMS—St. Steel

Parts List–880 EO Trim

Item	Qty.	Part No.	Description	
	1	041106	880 EO Trim Assembly–Rim	X
	1	041205	880 EO Trim Assembly–Vertical & Mortise	X
*	2	900533	Trim Mtg. Pkg.–To Mount Device to Trim–1¾" Door	X
*	2	900766	Trim Mtg. Pkg.–To Mount Device to Trim–2¼" Door	X
*	1	900771	Mtg. Screw Pkg.–To Mount Bottom Stud–1¾" Door	X
*	1	900752	Mtg. Screw Pkg.–To Mount Bottom Stud–2¼" Door	X

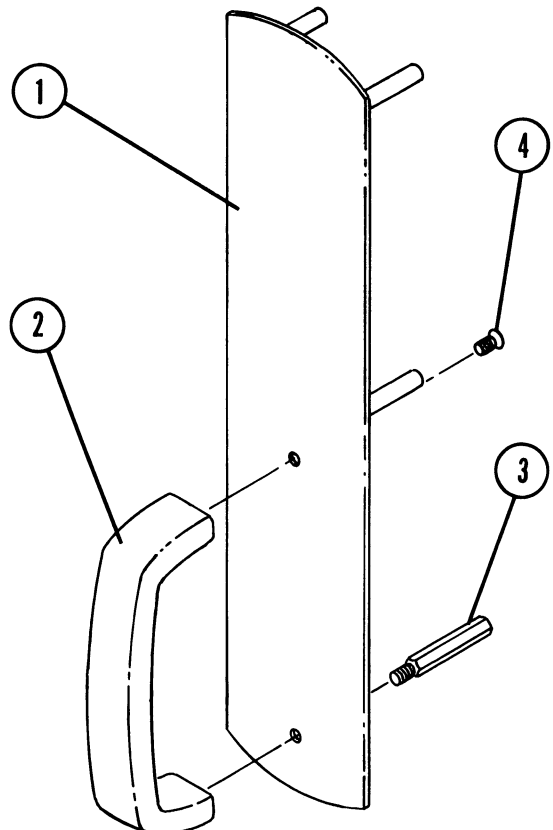
**See Page 2 for Mtg. Screw Pkg. Parts List
X Designates items that are finished*



Parts List–880 DT Trim

Item	Qty.	Part No.	Description	
	1	041103	Trim Assembly–Rim	X
	1	041203	Trim Assembly–Vertical & Mortise	X
1	1	103439	Trim Plate–Rim–Bronze	X
1	1	103441	Trim Plate–Rim–Stainless Steel	X
1	1	103481	Trim Plate–Vertical & Mortise–Bronze	X
2	1	959122	Pull Grip–Bronze	X
3	1	956760	Hex Stud	
4	1	963579	#12-24 x ¾" FPHMS Undercut	
*	2	900533	Trim Mtg. Pkg.–To Mount Device to Trim–1¾" Door	X
*	2	900766	Trim Mtg. Pkg.–To Mount Device to Trim–2¼" Door	X
*	1	900771	Mtg. Screw Pkg.–To Mount Bottom Stud–1¾" Door	X
*	1	900752	Mtg. Screw Pkg.–To Mount Bottom Stud–2¼" Door	X

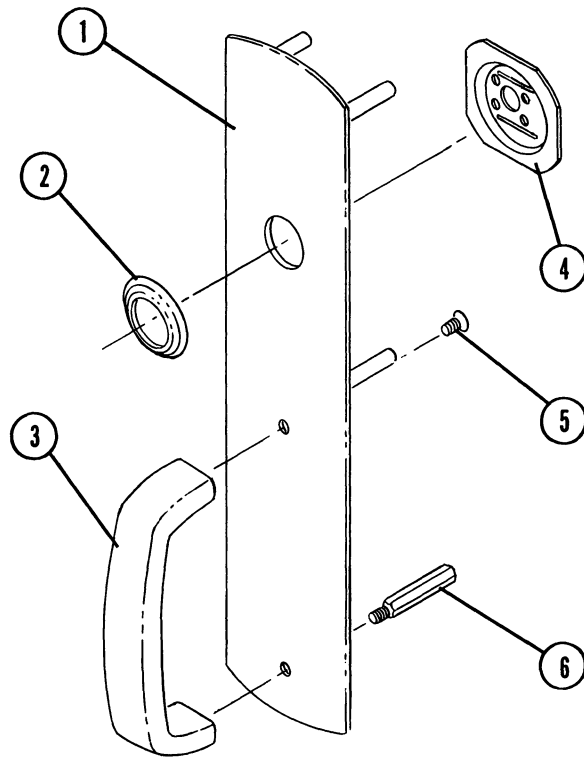
**See Page 2 for Mtg. Screw Pkg. Parts List
X Designates items that are finished*



Parts List-880 NL Trim

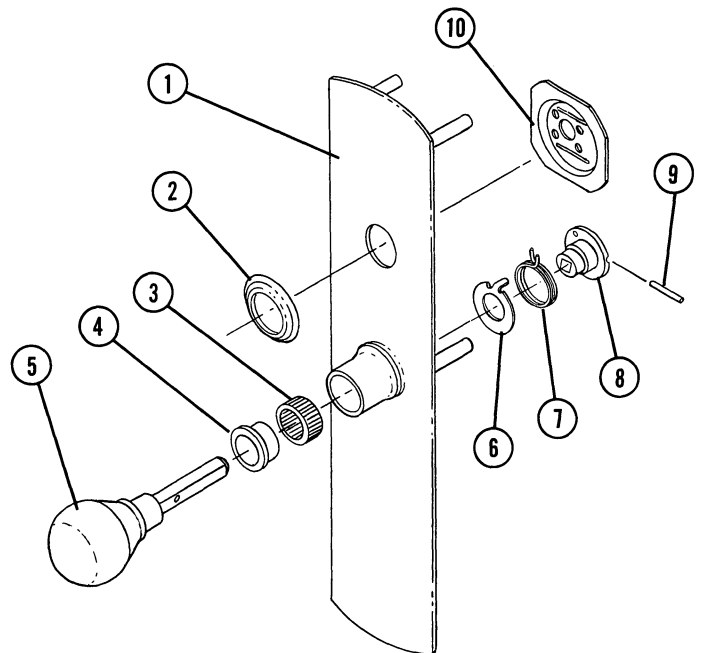
Item	Qty.	Part No.	Description	
	1	041102	Trim Assembly-Rim	X
	1	041202	Trim Assembly-Mortise	X
1	1	103506	Trim Plate-Rim-Bronze	X
1	1	103508	Trim Plate-Rim-Stainless Steel	X
1	1	103509	Trim Plate-Mortise-Bronze	X
2	1	965226	Cylinder Collar-Rim	X
2	1	961267	Cylinder Collar-Mortise	X
3	1	959122	Pull Grip-Bronze	X
4	1	959489	Cylinder Anchor Plate-Rim Only	
5	1	963579	#12-24 x 3/8" FPHMS-Undercut	
6	1	956760	Hex Stud	
*	2	900533	Trim Mtg. Pkg.-To Mount Device to Trim-1 3/4" Door	X
*	2	900766	Trim Mtg. Pkg.-To Mount Device to Trim-2 1/4" Door	X
*	1	900771	Mtg. Screw Pkg.-To Mount Bottom Stud-1 3/4" Door	X
*	1	900752	Mtg. Screw Pkg.-To Mount Bottom Stud-2 1/4" Door	X

*See Page 2 for Mtg. Screw Pkg. Parts List
 X Designates items that are finished



Parts List-880 K Trim

Item	Qty.	Part No.	Description	
	1	041144	880 K Trim Assembly-Rim-Orbit Knob	X
	1	041244	880 K Trim Assembly-Mortise-Orbit Knob	X
	1	041342	880 K Trim Assembly-Vertical-Orbit Knob	X
1	1	110550	Trim Plate Assembly-Rim-Bronze	X
1	1	110551	Trim Plate Assembly-Rim-Stainless Steel	X
1	1	110558	Trim Plate Assembly-Mortise-Bronze	X
1	1	110559	Trim Plate Assembly-Vertical-Bronze	X
2	1	965226	Cylinder Collar-Rim	X
2	1	961267	Cylinder Collar-Vertical & Mortise	X
3	1	964186	Tolerance Ring	
4	1	961989	Flange Bearing P.M.	
5	1	110554	Orbit Knob Assembly	X
6	1	970139	Booster Spacer	
7	1	970138	Torsion Spring	
8	1	970137	Booster Body	
9	1	963196	Roll Pin- $\frac{3}{32}$ " x $\frac{7}{8}$ " Lg.	
10	1	959489	Cylinder Anchor Plate	
*	2	900533	Trim Mtg. Pkg.-To Mount Device to Trim- $1\frac{3}{4}$ " Door	X
*	2	900766	Trim Mtg. Pkg.-To Mount Device to Trim- $2\frac{1}{4}$ " Door	X
*	1	900771	Mtg. Screw Pkg.-To Mount Bottom Stud- $1\frac{3}{4}$ " Door	
*	1	900752	Mtg. Screw Pkg.-To Mount Bottom Stud- $2\frac{1}{4}$ " Door	



Parts List-880 K-BE Trim

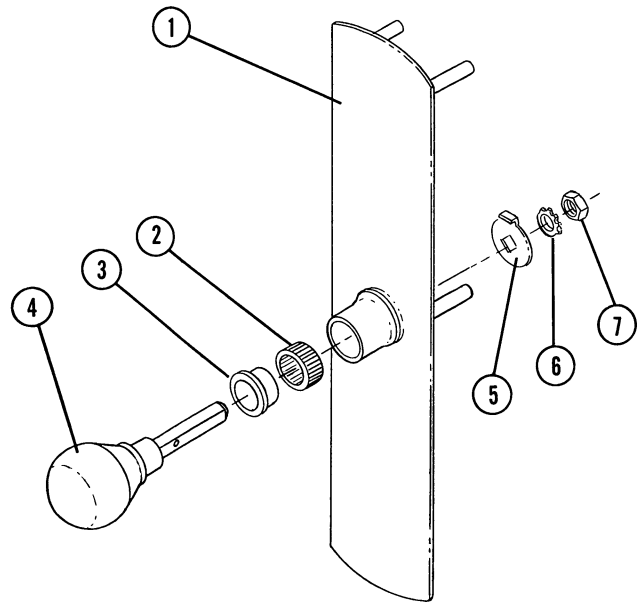
Item	Qty.	Part No.	Description	
	1	041184	880 K-BE Trim Assembly-Rim-Orbit Knob	X
	1	041284	880 K-BE Trim Assy.-Mortise-Orbit Knob	X
	1	041382	880 K-BE Trim Assy.-Vertical-Orbit Knob	X
1	1	110556	Trim Plate Assembly-Rim-Bronze-Orbit	X
1	1	110557	Trim Plate Assy.-Rim-Stainless Steel-Orbit	X
1	1	111528	Trim Plate Assy.-Mortise-Bronze-Orbit	X
1	1	111529	Trim Plate Assy.-Vertical-Bronze-Orbit	X
3	1	964186	Tolerance Ring	
4	1	961989	Flange Bearing P.M.	
5	1	110554	Orbit Knob Assembly	X
6	1	970139	Booster Spacer	
7	1	970138	Torsion Spring	
8	1	970137	Booster Body	
9	1	963196	Roll Pin- $\frac{3}{32}$ " x $\frac{7}{8}$ " Lg.	
*	2	900533	Trim Mtg. Pkg.-To Mount Device to Trim- $1\frac{3}{4}$ " Door	X
*	2	900766	Trim Mtg. Pkg.-To Mount Device to Trim- $2\frac{1}{4}$ " Door	X
*	1	900771	Mtg. Screw Pkg.-To Mount Bottom Stud- $1\frac{3}{4}$ " Door	X
*	1	900752	Mtg. Screw Pkg.-To Mount Bottom Stud- $2\frac{1}{4}$ " Door	X

*See Page 2 for Mtg. Screw Pkg. Parts List
X Designates items that are finished

Parts List–880 K-DT Trim

Item	Qty.	Part No.	Description
	1	041147	880 K-DT Trim Assembly–Rim–Orbit Knob
	1	041247	880 K-DT Trim Assy.–Mortise–Orbit Knob
	1	041343	880 K-DT Trim Assy.–Vertical–Orbit Knob
1	1	110554	Trim Plate Assy.–Rim–Bronze–Orbit Knob
1	1	110555	Trim Plate Assy.–Rim–St. Stl.–Orbit Knob
1	1	110560	Trim Plate Assy.–Mortise–Brz.–Orbit Knob
1	1	108510	Trim Plate Assy.–Vertical–Brz.–Orbit Knob
2	1	964186	Tolerance Ring
3	1	961989	Flange Bearing P.M.
4	1	110547	Orbit Knob Assembly
5	1	965568	Spindle Lock
6	1	963703	3/8" Ext. Tooth Lockwasher
7	1	963704	3/8"-16 Hex Jam Nut

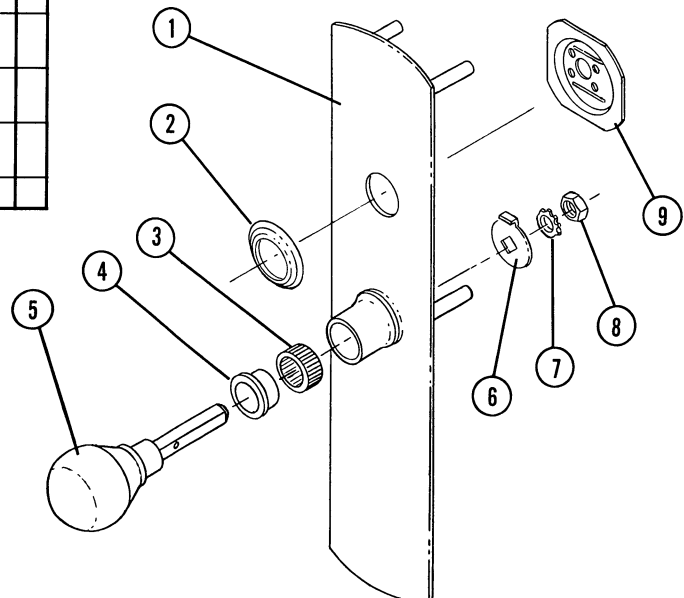
*See Page 2 for Mtg. Screw Pkg. Parts List
 X Designates items that are finished



Parts List–880 K-Rigid–Rim Trim

Item	Qty.	Part No.	Description	
	1	041145	880 K-R Trim Assembly–Orbit Knob	X
1	1	110552	Trim Plate Assy.–Bronze–Orbit Knob	X
1	1	110553	Trim Plate Assy.–Stainless Steel–Orbit Knob	X
2	1	965226	Cylinder Collar	
3	1	964186	Tolerance Ring	
4	1	961989	Flange Bearing P.M.	
5	1	110547	Orbit Knob Assembly	
6	1	965568	Spindle Lock	
7	1	963703	3/8" Ext. Tooth Lockwasher	
8	1	963704	3/8"-16 Hex Jam Nut	
9	1	959489	Cylinder Anchor	
*	2	900533	Trim Mtg. Pkg.–To Mount Device to Trim–1 3/4" Door	
*	2	900766	Trim Mtg. Pkg.–To Mount Device to Trim–2 1/4" Door	
*	1	900771	Mtg. Screw Pkg.–To Mount Bottom Stud–1 3/4" Door	
*	1	900752	Mtg. Screw Pkg.–To Mount Bottom Stud–2 1/4" Door	

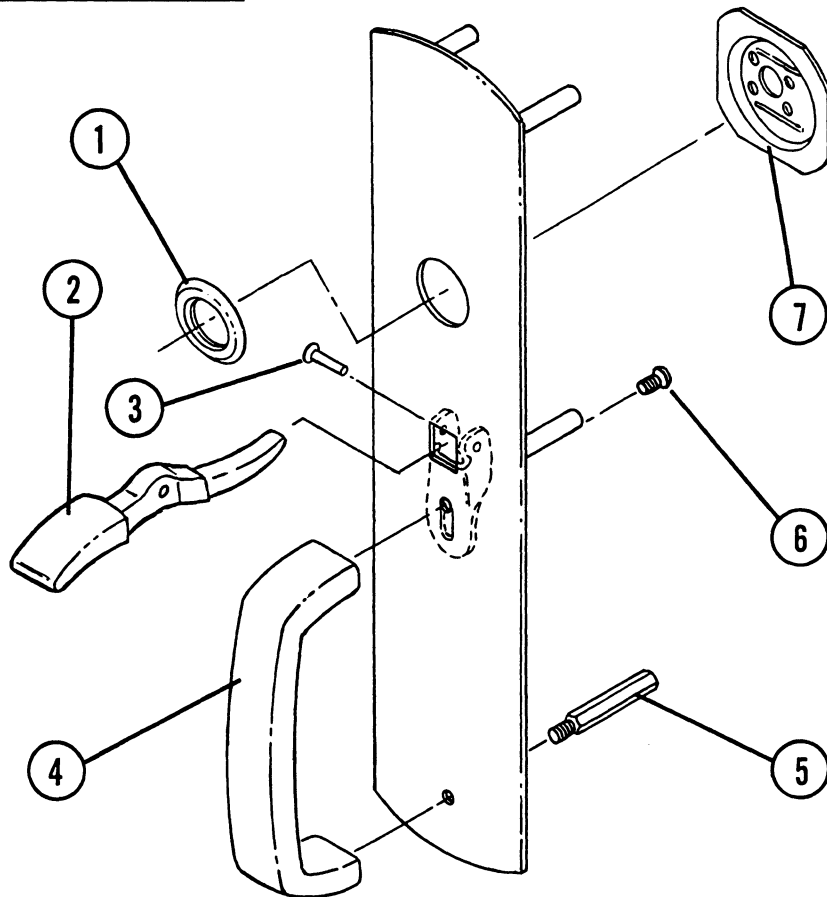
*See Page 2 for Mtg. Screw Pkg. Parts List
 X Designates items that are finished



Parts List–880 TP & TP-BE Trim

Item	Qty.	Part No.	Description
	1	041101	TP Trim Assembly–Rim
	1	041201	TP Trim Assembly–Mortise
	1	041301	TP Trim Assembly–Vertical
	1	041141	TP Trim Assembly–Rim
	1	041341	TP Trim Assembly–Vertical & Mortise
1	1	965226	Cylinder Collar–Rim–(TP Only)
2	1	970488	Thumbpiece–Rim & Vertical–Bronze
2	1	959575	Thumbpiece–Mortise
3	1	959603	Thumbpiece Axle
4	1	959122	Pull Grip–Bronze
5	1	956760	Hex Stud
6	1	965237	Thumbpiece Bracket Screw
7	1	959489	Cylinder Anchor Plate–Rim (TP Only)
*	2	900533	Trim Mtg. Pkg.–To Mount Device to Trim–1¾" Door
*	2	900766	Trim Mtg. Pkg.–To Mount Device to Trim–2¼" Door
*	1	900771	Mtg. Screw Pkg.–To Mount Bottom Stud–1¾" Door
*	1	900752	Mtg. Screw Pkg.–To Mount Bottom Stud–2¼" Door

*See Page 2 for Mtg. Screw Pkg. Parts List
 X Designates Items that are finished



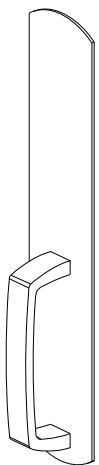
Von Duprin, Inc.
2720 Tobey Drive
Indianapolis, IN 46219
(317) 613-8944

VON DUPRIN®

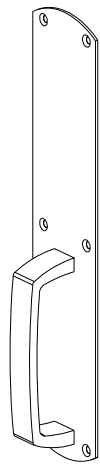
PARTS MANUAL

JULY 2009

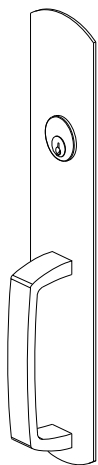
880, 606, 608, AND 609 SERIES TRIM



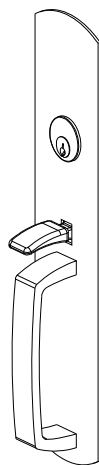
880DT



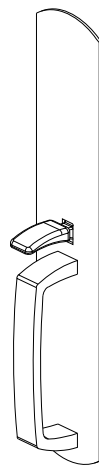
880DT-SA



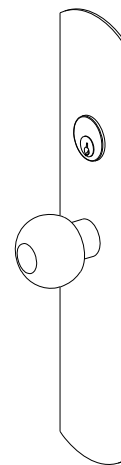
880NL



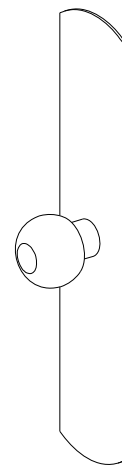
880TP



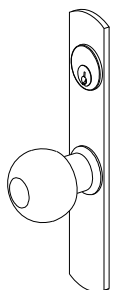
880TP-BE



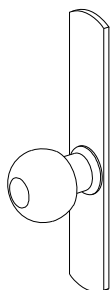
880K
880K-RIGID



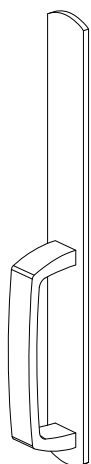
880K-BE
880K-DT



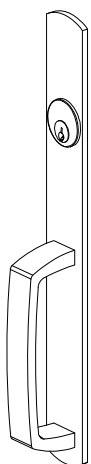
606K
606K-RIGID



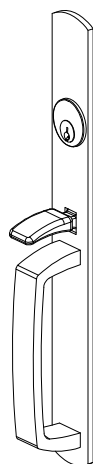
606K-BE
606K-DT



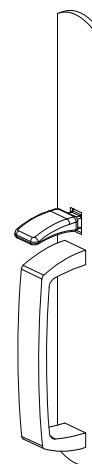
608DT



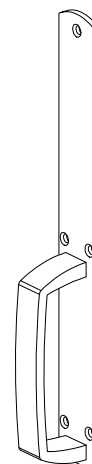
608NL



608TP



608TP-BE



609DT-SA

INDEX

General Information

Introduction	2
How to Order	2
Part Number Changes	2
Finishes	3

880, 606, 608, and 609 Series Trim Parts

Screw Packages	3
880DT	4
880DT-SA	4
880NL	4
880TP	4
880TP-BE	4
880K	5
880K-BE	5
880K-DT	5
880K-RIGID	5
606K	6
606K-BE	6
606K-DT	6
606K-RIGID	6
608TP	7
608TP-BE	7
608DT	7
608NL	7
609DT-SA	8

INTRODUCTION

This manual contains a listing of replaceable parts and assemblies for the 880 Series Trim.

HOW TO ORDER

Some parts are sold separately. Other items are available as part of a kit or multiple quantity package. For the best possible service when ordering replacement parts or assemblies, please provide the following information:

- Part number or assembly number
- Description
- Quantity needed
- Finish desired (if available finished)
- Date of original purchase (if known)

To find out the name of your local Von Duprin distributor or sales representative, contact:

Von Duprin Division
Ingersoll-Rand Company
2720 Tobey Drive
Indianapolis, Indiana 46219
Phone: (800) 999-0408
Fax: (800) 999-0328

PART NUMBER CHANGES

This manual reflects the product as sold in July 2009. Because of changes to the product and/or manufacturing process, part numbers can change.

FINISHES

US Number	BHMA Number	Color
US3	605	Brass, polished (laquered)
US10	612	Bronze, dull (laquered)
US10A	—	Bronze, dull (no laquer)
US10B	613	Brass, dull (oxidized, oil rubbed)
US26	625	Chrome, polished
US26D	626	Chrome, dull
US32	629	Stainless steel, polished
US32D	630	Stainless steel, satin

SCREW PACKAGES

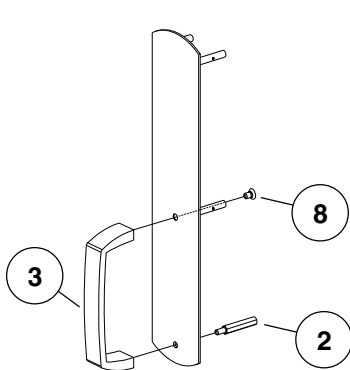
Part No.	Description	Quantity	Finish
900531	880 Screw Pkg. 2-1/4" Door		X
	10-24 x 2-1/2" OPHMS	8	
900533	880 Screw Pkg. 1-3/4" Door		X
	10-24 x 1-1/2" OPHMS	8	
900542	880 V Screw Pkg.		
	10-24 x 3/4" PPHMS	8	
900771	880 Bottom Screw Pkg.		X
	#12 Countersink Washer	1	
	12-24 x 1" OPHMS	1	
900783	880DT-V SA Screw Pkg.		X
	10-24 x 1/2" OPHMS	6	
900772	606DT/NL/TP Screw Pkg.		X
	#12 Countersink Washer	1	
	12-24 x 1-5/8" OPHMS	1	
900782	606K/K-DT Screw Pkg.		X
	#12 Countersink Washer	1	
	12-24 x 1-1/2" FPHMS	2	
	12-24 x 1-5/8" OPHMS	1	
900776	608 Screw Pkg.		X
	#12 Countersink Washer	2	
	12-24 x 1-1/2" FPHMS	2	
	12-24 x 1-5/8" OPHMS	2	

X in "Finish" column designates finished item; specify finish when ordering.

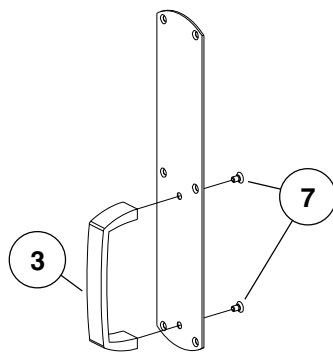
880DT, 880DT-SA, 880NL, 880TP, 880TP-BE PARTS

Item No.	Part No.	Description	Quantity	Finish
1	032114	216D Cylinder Anchor Plate	1	
2	956760	880 Series Hex Stud	1	
3	972466	880 Pull Grip (US26D)	1	X
3	972467	880 Pull Grip (all other finishes)	1	X
4	959575	880-M/V Thumbpiece	1	X
4	970488	608/880TP-R Thumbpiece	1	X
5	959603	880 Thumbpiece Axle	1	
6	961267	880-M Cylinder Collar	1	X
6	965226	880-R Cylinder Collar	1	X
7	963011	880DT-V-SA 12-24 x 1/2" UFPHMS	1	
8	963579	880NL/DT 12-24 x 3/8" UFPHMS	1	
9	965237	880TP Bracket Screw	1	
10	969353	880TP Thumbpiece Bracket	1	

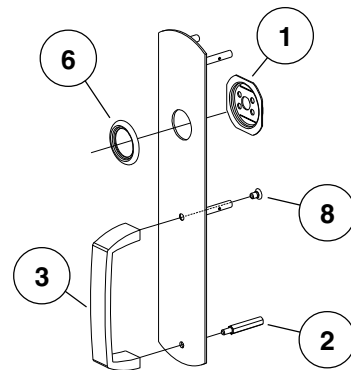
X in "Finish" column designates finished item; specify finish when ordering.



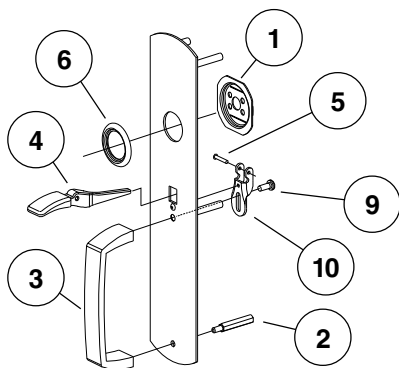
880DT



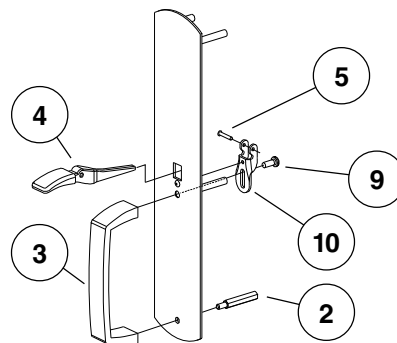
880DT-SA



880NL



880TP

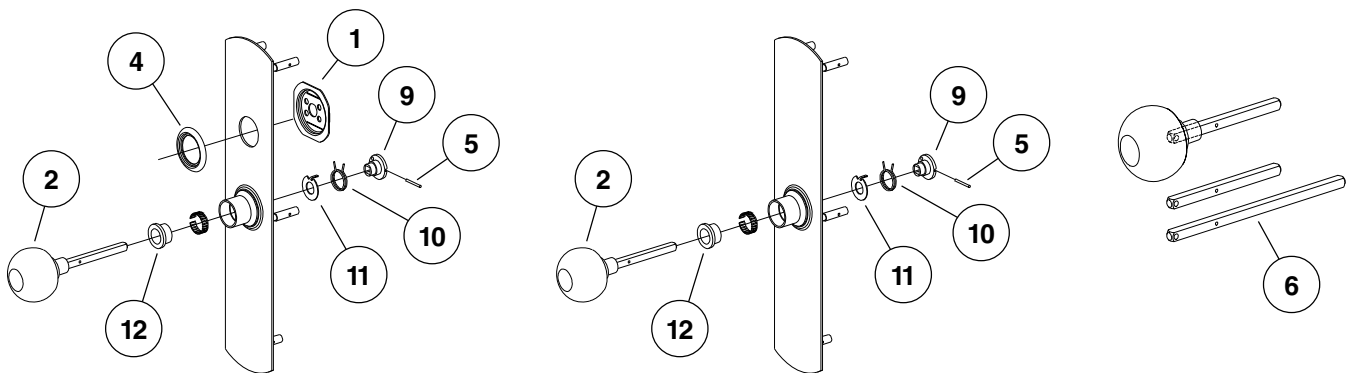


880TP-BE

880K, 880K-BE, 880K-DT, 880K-RIGID PARTS

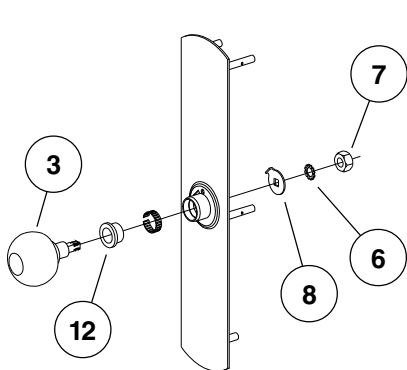
Item No.	Part No.	Description	Quantity	Finish
1	032114	216D Cylinder Anchor Plate	1	
2	110544	880K Orbit Knob Assembly	1	X
3	110547	880K Orbit Knob Assembly (DT)	1	X
4	961267	880-M Cylinder Collar	1	X
4	965226	880-R Cylinder Collar	1	X
5	963196	606K/880K Roll Pin (3/32" x 7/8")	1	
6	963703	606K/880K 3/8" Lockwasher	1	
7	963704	606K/880K-DT/K-NL Hex Nut	1	
8	965568	606/880 DT Spindle Lock	1	
9	970137	880K Booster Body	1	
10	970138	880K Booster Torsion Spring	1	
11	970139	880K Booster Spacer	1	
12	970159	880K Flange Bearing	1	
13	968883	Extended Spindle - 880K	1	

X in "Finish" column designates finished item; specify finish when ordering.

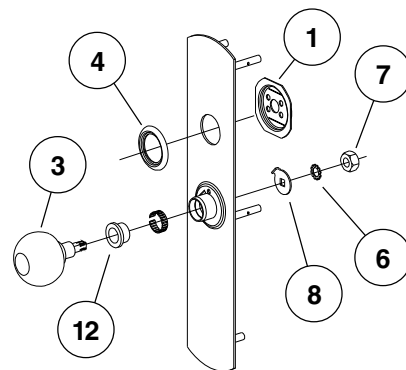


880K

880K-BE



880K-DT

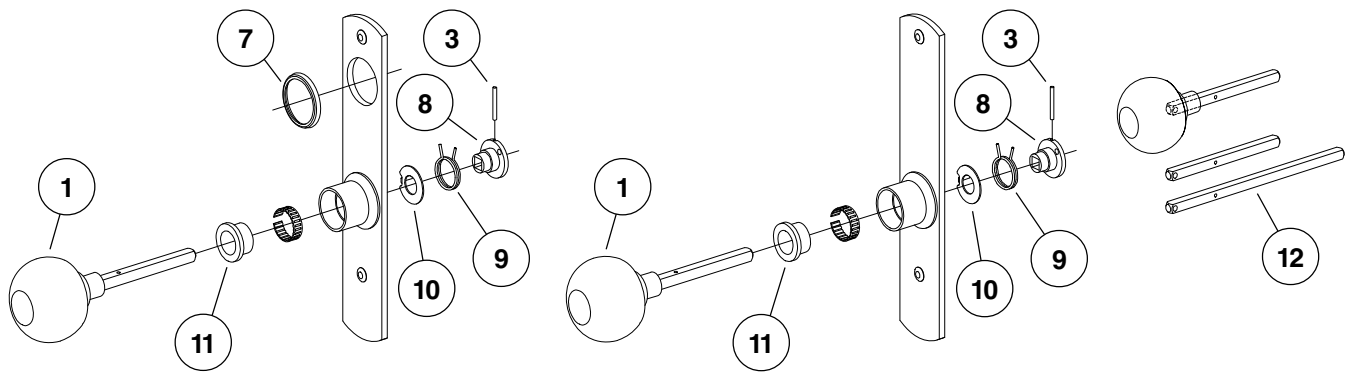


880K-RIGID

606K, 606K-BE, 606K-DT, 606K-RIGID PARTS

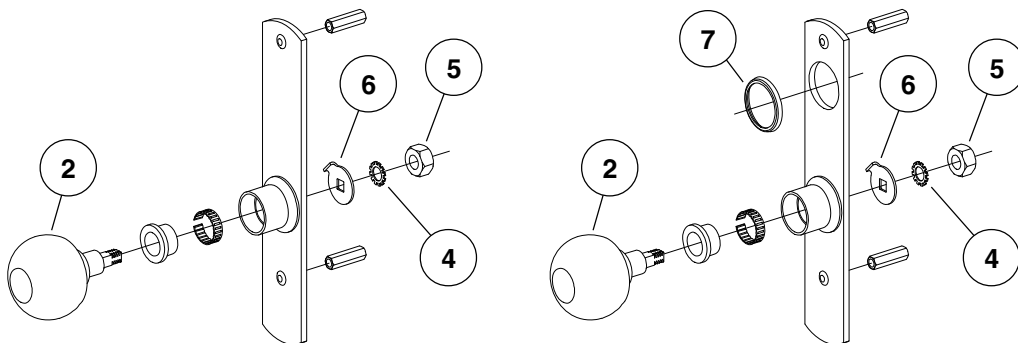
Item No.	Part No.	Description	Quantity	Finish
1	110544	880K Orbit Knob Assembly	1	X
2	110547	880K Orbit Knob Assembly (DT)	1	X
3	963196	606K/880K Roll Pin (3/32" x 7/8")	1	
4	963703	606K/880K 3/8" Lockwasher	1	
5	963704	606K/880K-DT/K-NL Hex Nut	1	
6	965568	606/880 DT Spindle Lock	1	
7	961267	880-M Cylinder Collar	1	X
8	970137	880K Booster Body	1	
9	970138	880K Booster Torsion Spring	1	
10	970139	880K Booster Spacer	1	
11	970159	880K Flange Bearing	1	
12	968883	Extended Spindle - 880K	1	

X in "Finish" column designates finished item; specify finish when ordering.



606K

606K-BE



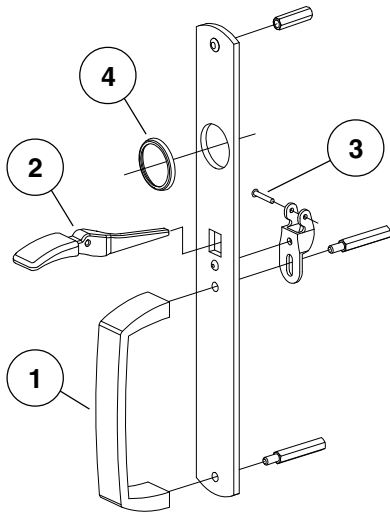
606K-DT

606K-RIGID

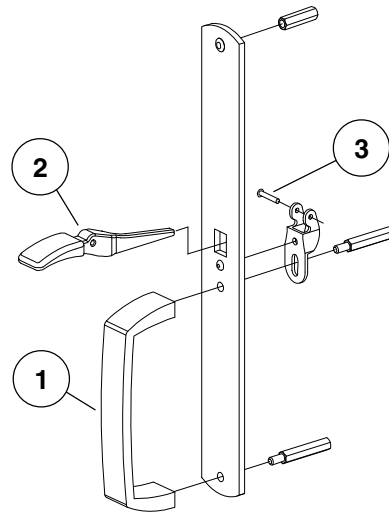
608TP, 608TP-BE, 608DT, 608NL PARTS

Item No.	Part No.	Description	Quantity	Finish
1	972466	Pull Grip (US26D)	1	X
1	972467	Pull Grip (all other finishes)	1	X
2	959575	880-M/V Thumbpiece	1	X
2	970488	608/880TP-R Thumbpiece	1	X
3	959603	880 Thumbpiece Axle	1	
4	961267	880-M Cylinder Collar	1	X

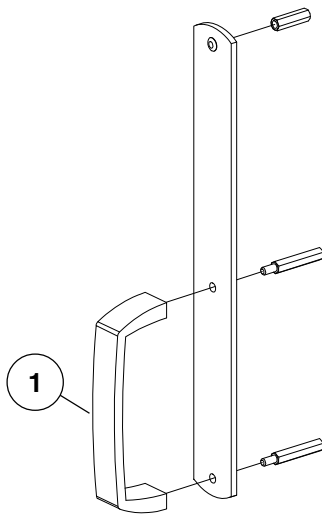
X in "Finish" column designates finished item; specify finish when ordering.



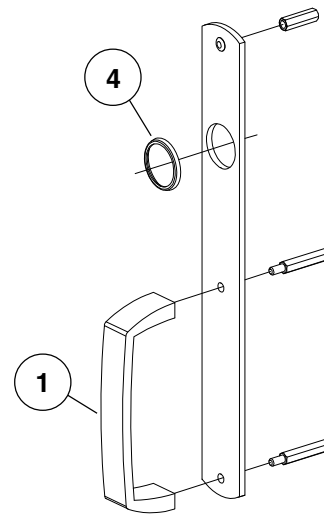
608TP



608TP-BE



608DT

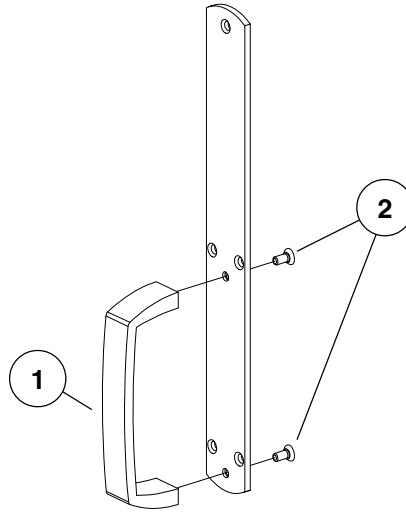


608NL

609DT-SA PARTS

Item No.	Part No.	Description	Quantity	Finish
1	972466	Pull Grip (US26D)	1	X
1	972467	Pull Grip (all other finishes)	1	X
2	963011	880DT-V-SA 12-24 x 1/2" UFPHMS	1	

X in "Finish" column designates finished item; specify finish when ordering.



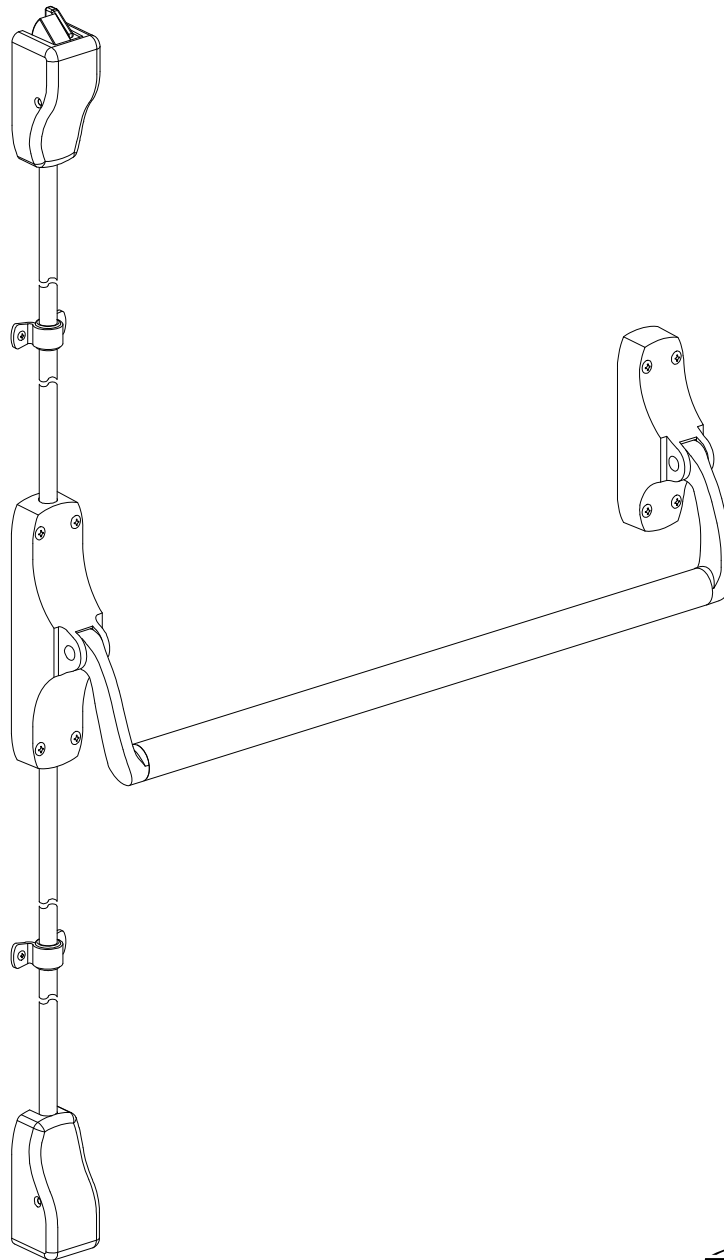
609DT-SA

VON DUPRIN®

PARTS MANUAL

JULY 2009

8827 SURFACE VERTICAL ROD SERIES EXIT DEVICES



PM8827_A
VD-5556

IR Ingersoll Rand
Security Technologies

Copyright © 2009 Ingersoll-Rand. All rights reserved.

INDEX

General Information

Introduction	2
How to Order	2
Part Number Changes	2
8827 Series Finishes	3
Outside Trim Functions	3
Strikes	3

8827 Series Device Parts

Crossbars	4
Lever Arm Kits	5
Lever Arm Parts Packages	6
End Case Kit and End Case Parts	8
Backplate Conversion Kits	10
Center Case Parts: EO/EO-F, DT, TL/TL-F Exit Devices	10
Center Case Parts: K/K-F, K-NL/K-NL-F, L/L-F Exit Devices	11
Center Case Parts: TP/TP-F, TP-NL/TP-NL-F Exit Devices	12
Center Case Mounting Packages and Cylinder Anchor Plate	13
Center Case Kits	13
Latch Parts and Screw Packages	14
Latch Kits and Latch Cover Kits	15
Vertical Rods	16

INTRODUCTION

This manual contains a listing of replaceable parts and assemblies for the 8827 Series Panic and FEH Devices.

HOW TO ORDER

Some parts are sold separately. Other items are available as part of a kit or multiple quantity package. For the best possible service when ordering replacement parts or assemblies, please provide the following information:

- Part number or assembly number
- Description
- Quantity needed
- Finish desired (if available finished)
- Date of original purchase (if known)

To find out the name of your local Von Duprin distributor or sales representative, contact:

Von Duprin Division
Ingersoll-Rand Company
2720 Tobey Drive
Indianapolis, Indiana 46219
Phone: (800) 999-0408
Fax: (800) 999-0328

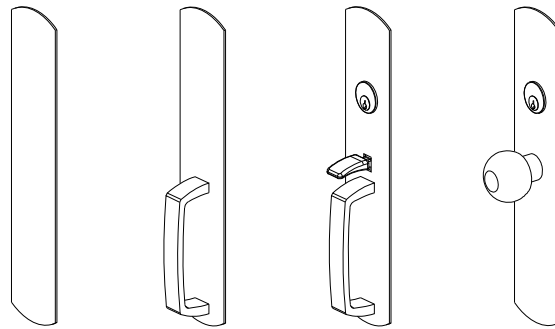
PART NUMBER CHANGES

This manual reflects the product as sold in July 2009. Because of changes to the product and/or manufacturing process, part numbers can change.

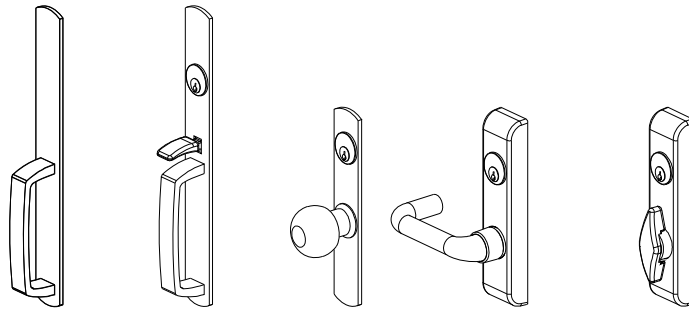
8827 SERIES FINISHES

US Number	BHMA Number	Color
US3	605	Brass, polished
US4	606	Brass, dull
US10	612	Bronze, dull
US10B	613	Brass, dull (oxidized)
US26	625	Chrome, polished
US26D	626	Chrome, dull
SPBLK	693	Gloss black powder

OUTSIDE TRIM FUNCTIONS

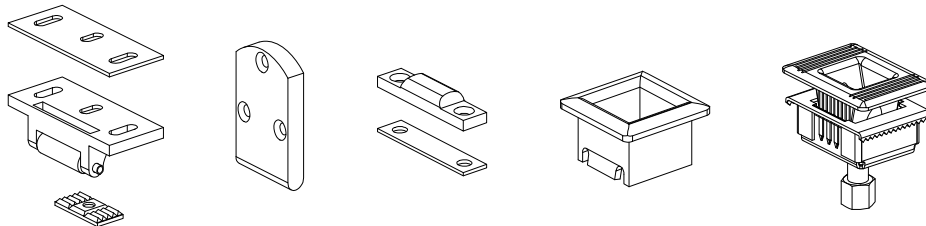


880EO 880DT 880TP 880K



608DT 608TP 606K 373L 377T

STRIKES

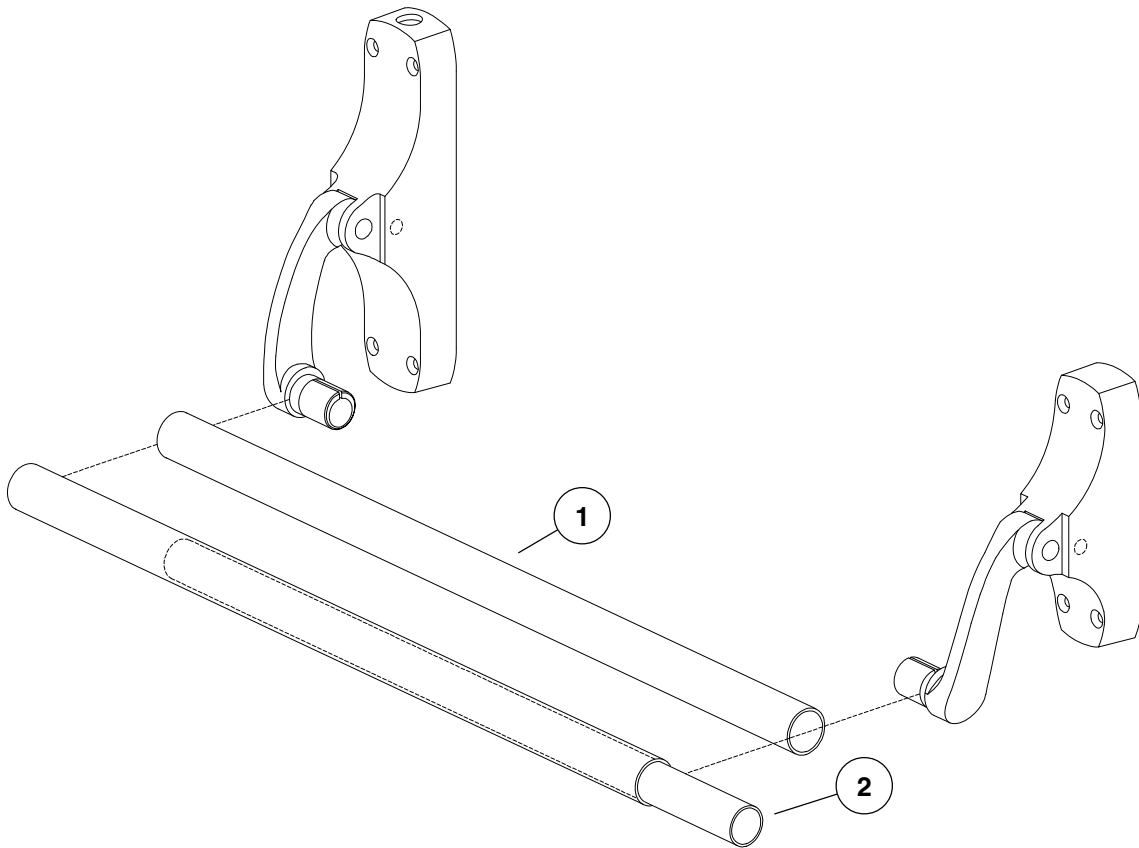


299 (top) 260U (top) 248L-4 (bottom) 304L (bottom) 385A (bottom)

CROSSBARS

Item No.	Part No.	Description	Quantity	Finish
1	050004	42" Standard Crossbar Kit	1	X
1	050005	42" Knurled Crossbar Kit	1	X
2	050459	37" Crossbar Reinforcement Kit	1	

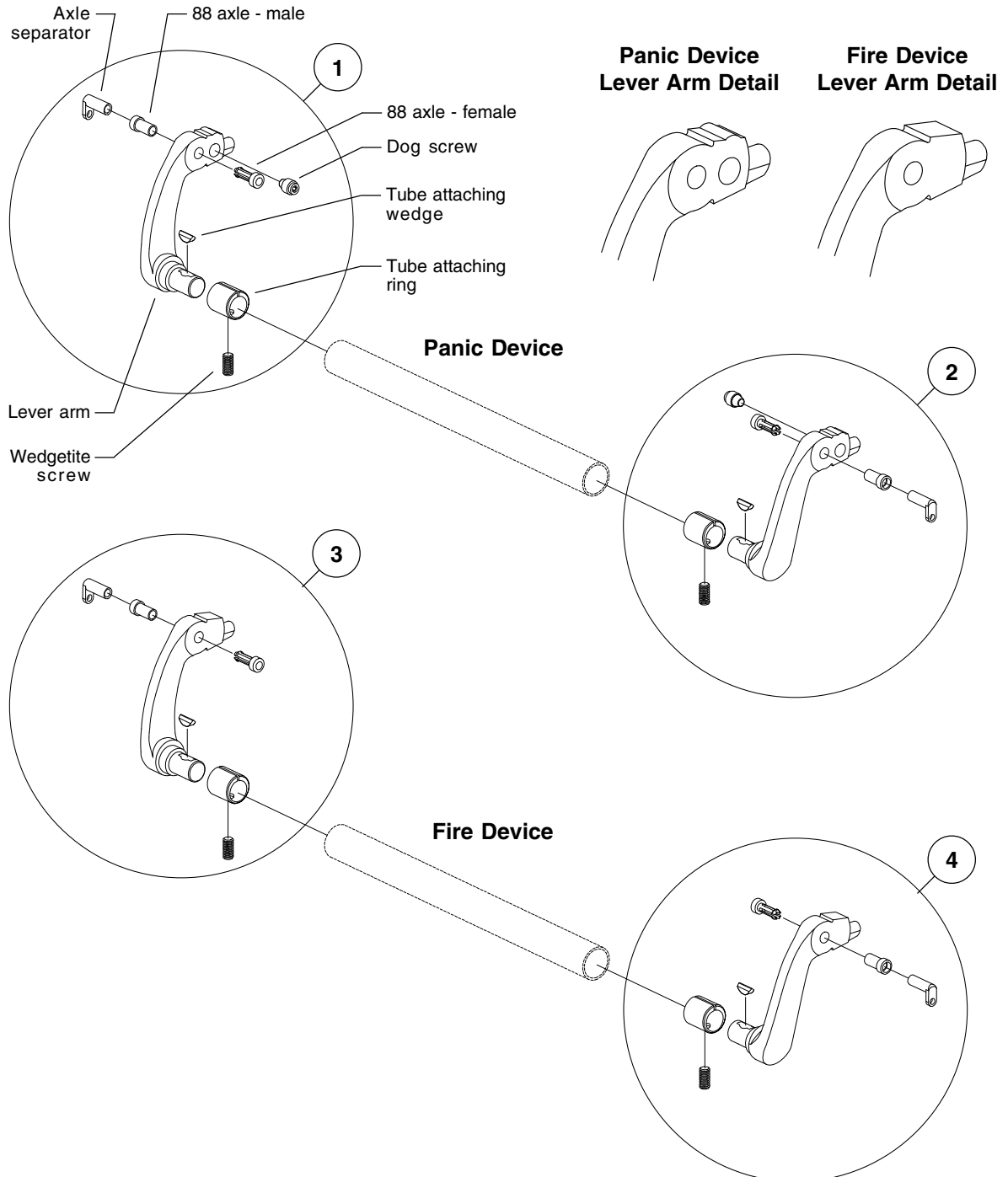
X in "Finish" column designates finished item; specify finish when ordering.



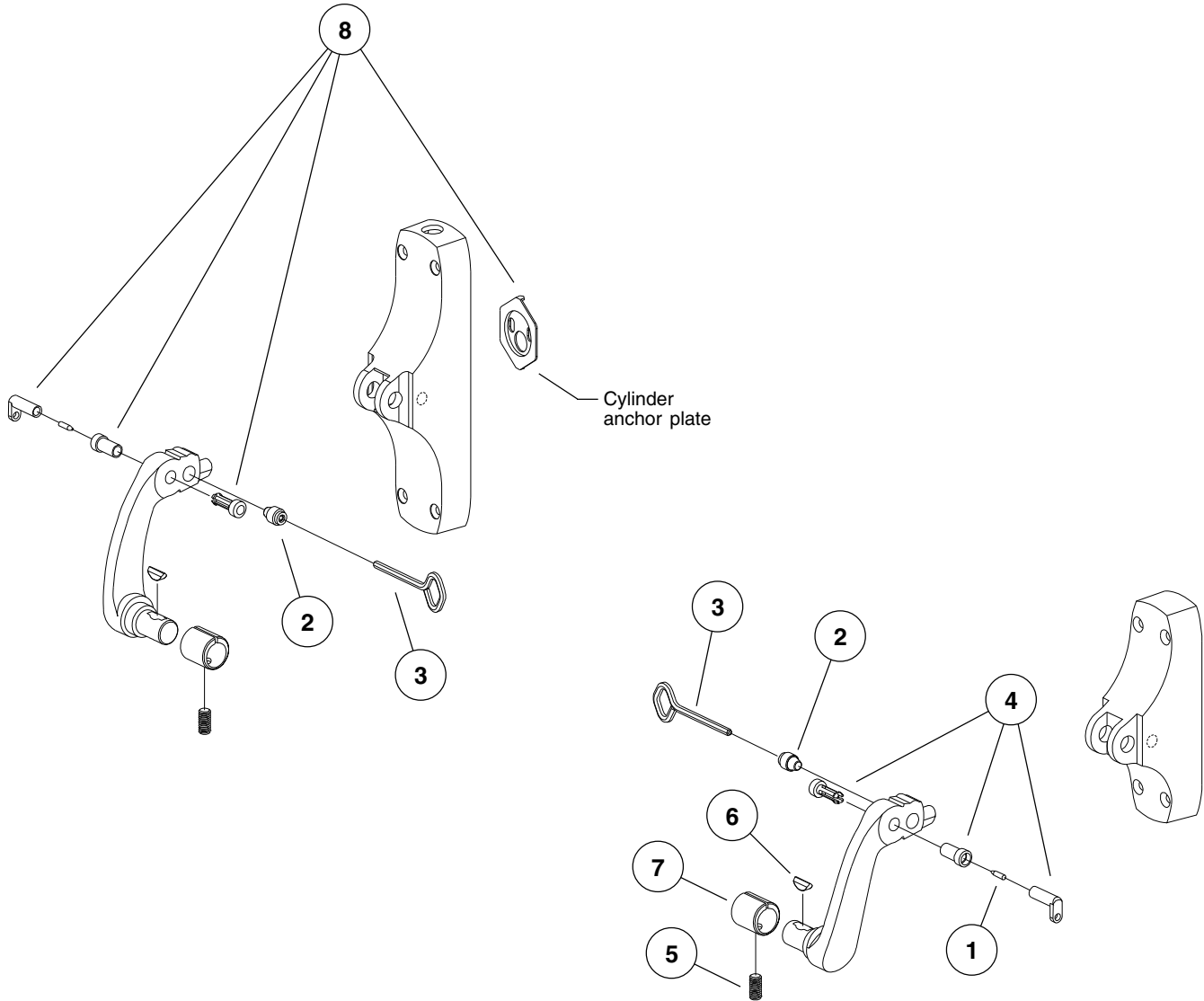
LEVER ARM KITS

Item No.	Part No.	Description	Quantity	Finish
1	050439	88 R/M/V LH Lever Arm Kit	1	X
2	050438	88 R/M/V RH Lever Arm Kit	1	X
3	050443	8827-F/47-F LH Lever Arm Kit	1	X
4	050442	8827-F/47-F RH Lever Arm Kit	1	X

X in "Finish" column designates finished item; specify finish when ordering.



LEVER ARM PARTS PACKAGES

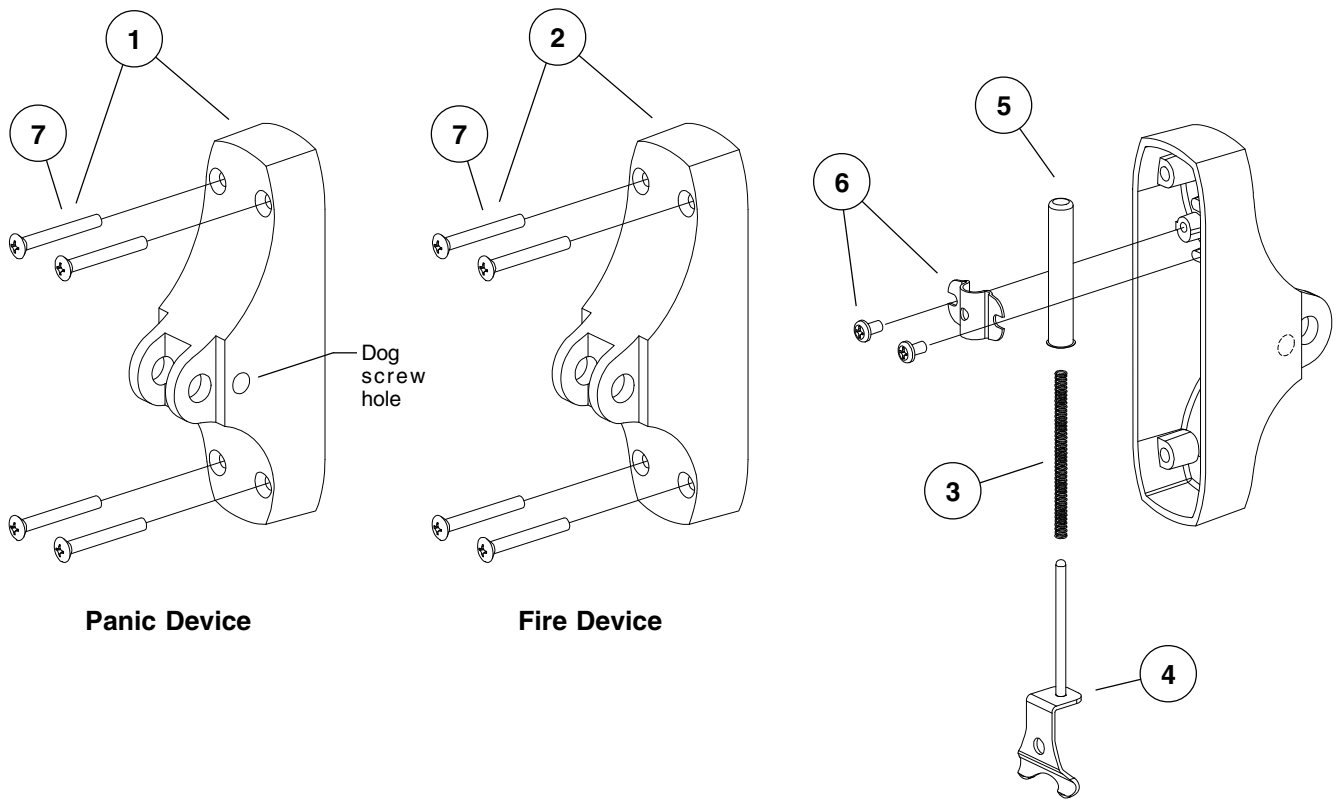


LEVER ARM PARTS PACKAGES

Item No.	Part No.	Description	Quantity	Finish
1	090007	Axle Security Pin Pkg.	10	
1	033022	Axle Security Pin Pkg.	50	
2	090004	Dog Screw Pkg.	2	
2	090083	Dog Screw Pkg.	10	
3	090005	227 Dog Key 5/32" Pkg.	2	
3	090085	227 Dog Key 5/32" Pkg.	10	
4	090006	88 Lever Arm Axles		
		88 Axle Separator	2	
		88 Axle - Male	2	
		88 Axle - Female	2	
4	090082	88 Lever Arm Axles		
		88 Axle Separator	10	
		88 Axle - Male	10	
		88 Axle - Female	10	
5	090008	Wedgetite Screw Pkg.	2	
5	090081	Wedgetite Screw Pkg.	30	
6	090020	Crossbar Tube Attaching Wedge Pkg.	2	
7	090021	Crossbar Tube Attaching Ring Pkg.	2	
8	103865	88 Lever Arm Axle Pkg.		
		Cyliner Anchor Plate	1	
		88 Axle Separator	1	
		88 Axle - Male	2	
		88 Axle - Female	2	

X in "Finish" column designates finished item; specify finish when ordering.

END CASE KIT AND END CASE PARTS

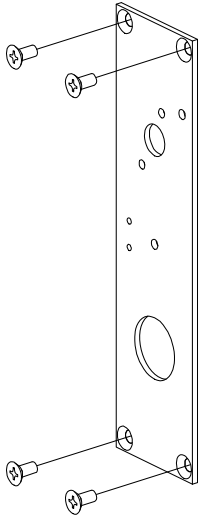


END CASE KIT AND END CASE PARTS

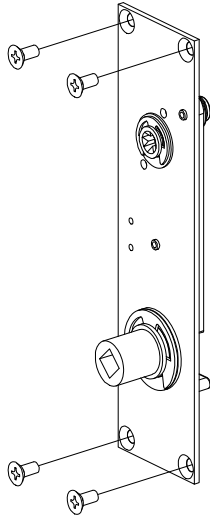
Item No.	Part No.	Description	Quantity	Finish
1	050435	88 R/M/V End Case Kit		X
		88 R/M/V End Case	1	
		10-24 x 1-1/2" OPHMS	4	
		10-24 x 2" OPHMS	4	
		10-12 x 10-24 x 2" OPHCS	4	
2	050436	8827-F/8875-F/8847-F End Case Kit		X
		88SV/CV/M-F End Case	1	
		10-24 x 1-1/2" OPHMS	4	
		10-24 x 2" OPHMS	4	
		10-12 x 10-24 x 2" OPHCS	4	
3	090003	88 End Case Spring Pkg.	2	
3	090080	88 End Case Spring Pkg.	10	
4	050451	88 End Case Spring Stop Kit	1	
5	050476	88/88-F End Case Spring Tube	1	
6	050477	88/88-F Spring Tube Bracket w/Screws Kit		
		88/88-F Spring Tube Bracket	1	
		88/88-F Spring Tube Bracket Screws	2	
7	900503	88 Center or End Case Mtg. Pkg. (CS and MS screws)		X
		10-24 x 1-1/2" OPHMS	4	
		10-24 x 2" OPHMS	4	
		10-12 x 10-24 x 2" OPHCS	4	
7	900504	88 Center or End Case Mtg. Pkg. (CS screws)		X
		10-12 x 10-24 x 2" OPHCS	4	
7	900505	88 Center or End Case Mtg. Pkg. (MS screws 1-3/4" door)		X
		10-24 x 1-1/2" OPHMS	4	
7	900506	88 Center or End Case Mtg. Pkg. (MS screws 2-1/4" door)		X
		10-24 x 2" OPHMS	4	

X in "Finish" column designates finished item; specify finish when ordering.

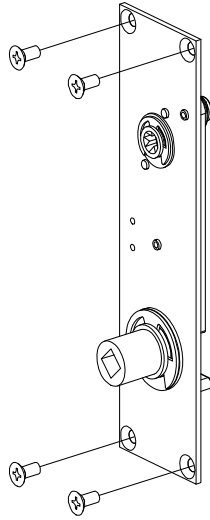
BACKPLATE CONVERSION KITS



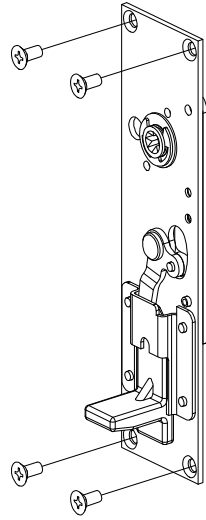
8827CK-EO/DT/TL
Part No. 050447



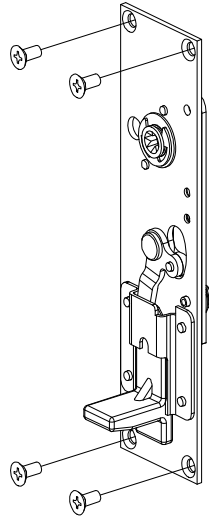
8827CK-K/L-K/L-F
Part No. 050200



8827CK-K-NL/K-NL-F
Part No. 050201



8827CK-TP/TP-F
Part No. 050104

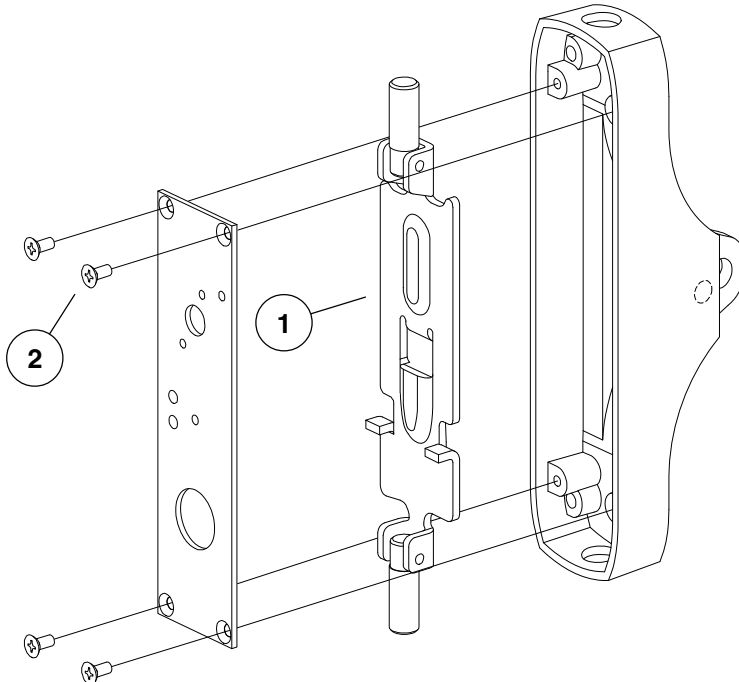


8827CK-TP-NL/TP-NL-F
Part No. 050202

CENTER CASE PARTS: EO/EO-F, DT, TL/TL-F EXIT DEVICES

Item No.	Part No.	Description	Quantity	Finish
1	050446	8827/27-F Rod Control	1	
2	900615	8827 Backplate Screw Pkg.		
		#8-32 x 3/8" UFPHMS	4	

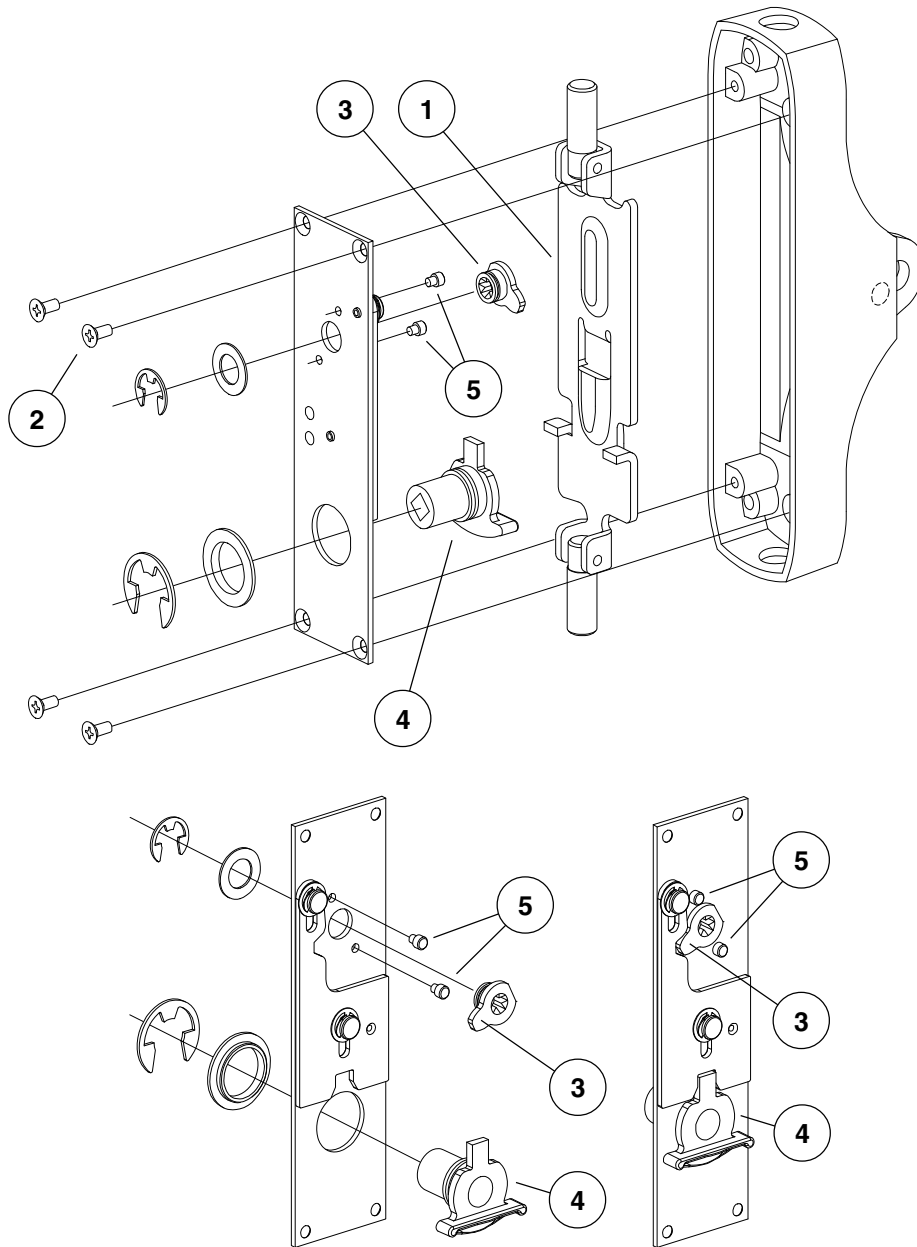
X in "Finish" column designates finished item; specify finish when ordering.



CENTER CASE PARTS: K/K-F, K-NL/K-NL-F, L/L-F EXIT DEVICES

Item No.	Part No.	Description	Quantity	Finish
1	050260	8827/27-F Rod Control	1	
2	900615	8827 Backplate Screw Pkg. #8-32 x 3/8" UFPHMS	4	
3	050448	8827K/K-NL/TP/TP-NL-F Cylinder Cam	1	
4	050449	8827K/K-NL-F Knob Hub	1	
5	090012	8827K-NL/TP-NL Backplate Pin Pkg. (for K-NL only)	2	

X in "Finish" column designates finished item; specify finish when ordering.

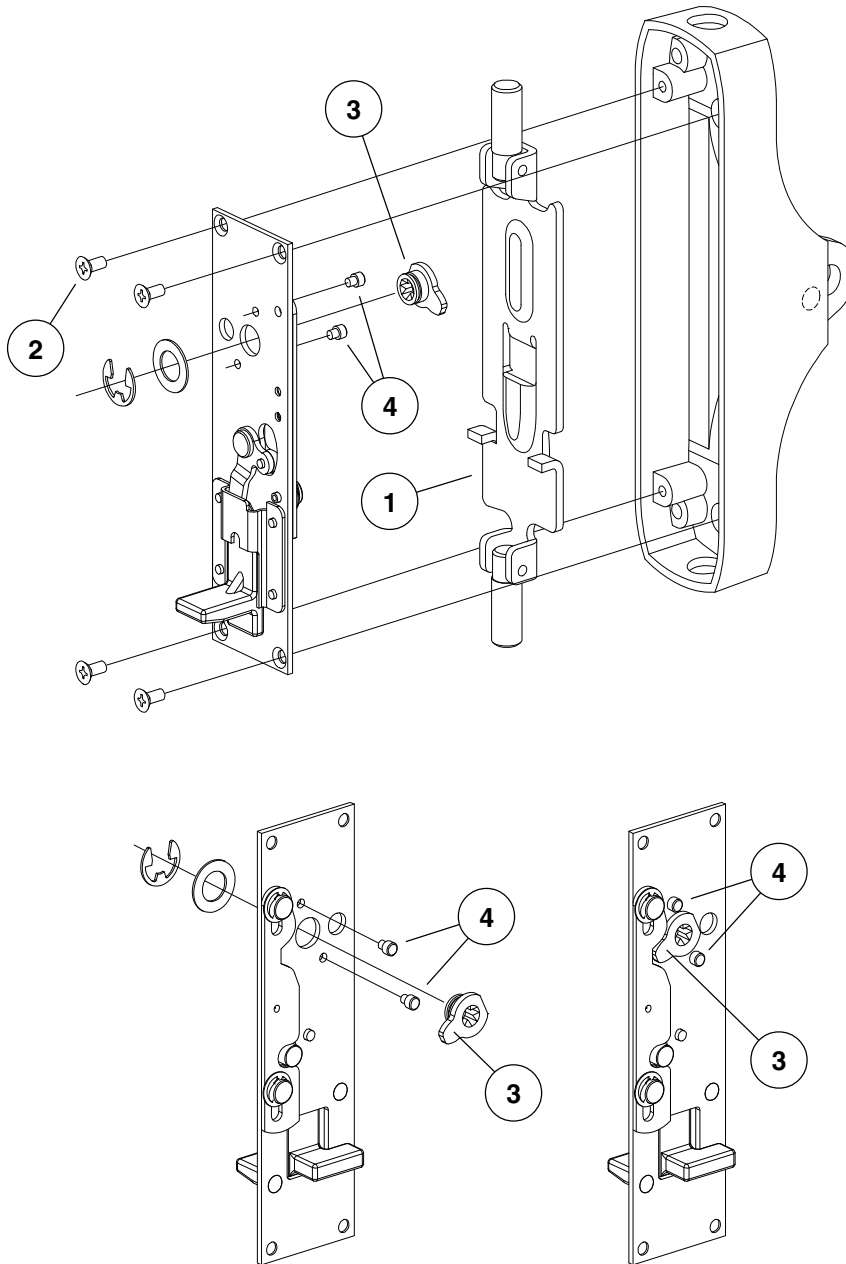


Rear View of Backplate Showing Cylinder Cam and Knob Hub Installation

CENTER CASE PARTS: TP/TP-F, TP-NL/TP-NL-F EXIT DEVICES

Item No.	Part No.	Description	Quantity	Finish
1	050446	8827/27-F Rod Control	1	
2	900615	8827 Backplate Screw Pkg.		
		#8-32 x 3/8" UFPHMS	4	
3	050448	8827K/K-NL/TP/TP-NL-F Cylinder Cam	1	
4	090012	8827K-NL/TP-NL Backplate Pin Pkg. (for TP-NL only)	2	

X in "Finish" column designates finished item; specify finish when ordering.

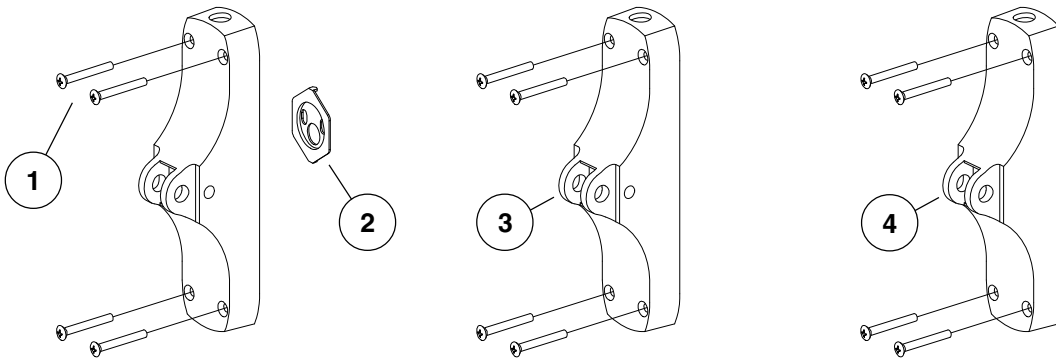


Rear View of Backplate Showing Cylinder Cam and Backplate Pin Installation

CENTER CASE MOUNTING PACKAGES AND CYLINDER ANCHOR PLATE

Item No.	Part No.	Description	Quantity	Finish
1	900503	88 Center or End Case Mtg. Pkg. (CS and MS screws)		X
		10-24 x 1-1/2" OPHMS	4	
		10-24 x 2" OPHMS	4	
		10-12 x 10-24 x 2" OPHCS	4	
1	900504	88 Center or End Case Mtg. Pkg. (CS screws)		X
		10-12 x 10-24 x 2" OPHCS	4	
1	900505	88 Center or End Case Mtg. Pkg. (MS screws 1-3/4" door)		X
		10-24 x 1-1/2" OPHMS	4	
1	900506	88 Center or End Case Mtg. Pkg. (MS screws 2-1/4" door)		X
		10-24 x 2" OPHMS	4	
2	050331	88 Cylinder Anchor Plate	1	

X in "Finish" column designates finished item; specify finish when ordering.



CENTER CASE KITS (includes Mounting Package part No. 500503)

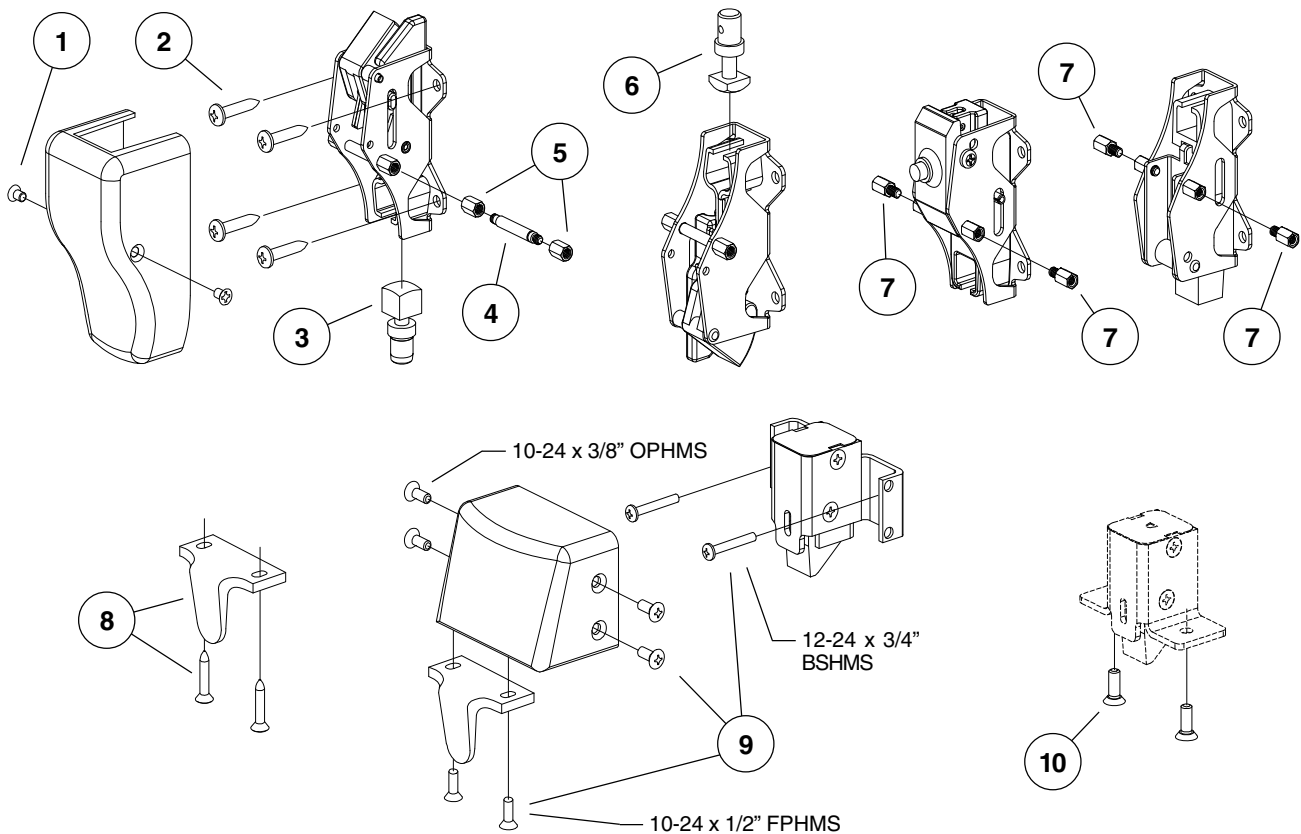
Item No.	Part No.	Description	Quantity	Finish
3	050415	8827EO/DT/TL Center Case Kit	1	X
3	050416	8827TP Center Case Kit	1	X
3	050417	8827K/L Center Case Kit	1	X
3	050418	8827TP-NL Center Case Kit	1	X
3	050419	8827K-NL Center Case Kit	1	X
4	050430	8827EO-F/TL-F Center Case Kit	1	X
4	050431	8827TP-F Center Case Kit	1	X
4	050432	8827K/L-F Center Case Kit	1	X
4	050433	8827TP-NL-F Center Case Kit	1	X
4	050434	8827K-NL-F Center Case Kit	1	X

X in "Finish" column designates finished item; specify finish when ordering.

LATCH PARTS AND SCREW PACKAGES

Item No.	Part No.	Description	Quantity	Finish
1	900850	8827 Latch Case Cover Screw Package		X
		8-32 x 1/4" UFPHMS	2	
2	900501	8827 Latch Case Mounting Package		
		10-12 x 10-24 x 1" BPHCS	4	
3	050279	8827 LR Top Rod Connector	1	
4	050328	8827 Chassis Tie Rod	1	
5	050277	8827 Latch Special Chassis Nut	1	
6	050327	8827 LR Bottom Rod Connector	1	
7	050478	8827-F Special Chassis Hex Stud	1	
8	107765	8827-F Plunger Release Bracket	1	X
9	900852	8827-F Flush Transom Latch Screw Pkg.		X
		10-24 x 1/2" FPHMS	2	
		10-24 x 3/8" OPHMS	4	
		12-24 x 3/4" BSMHS	2	
10	900502	8827/47-F Soffit Latch Mounting Package		
		12-24 x 1/2" UFPHMS	2	

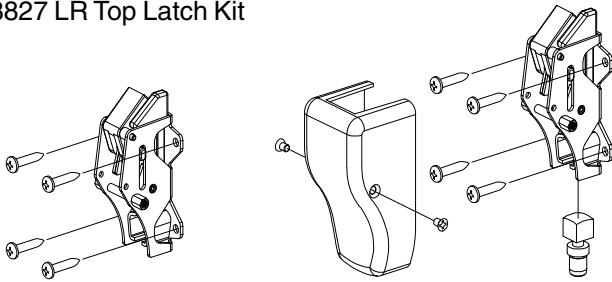
X in "Finish" column designates finished item; specify finish when ordering.



LATCH KITS AND LATCH COVER KITS

Specify Finish when Ordering Latch Kits with Covers and Latch Cover Kits

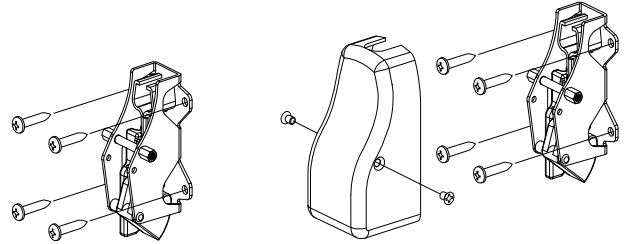
8827 LR Top Latch Kit



Less Cover
Part No. 050460

With Cover
Part No. 050466

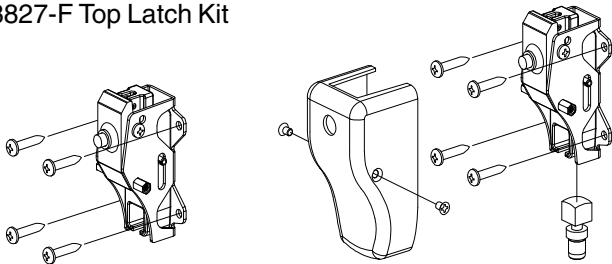
8827 LR Bottom Latch Kit



Less Cover
Part No. 050461

With Cover
Part No. 050467

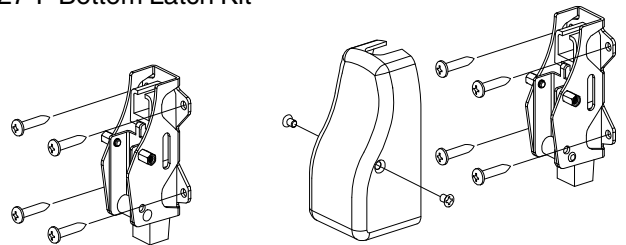
8827-F Top Latch Kit



Less Cover
Part No. 050462

With Cover
Part No. 050468

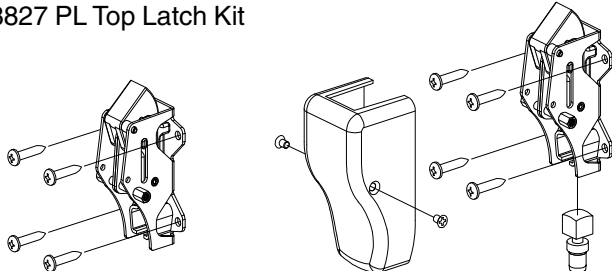
8827-F Bottom Latch Kit



Less Cover
Part No. 050463

With Cover
Part No. 050469

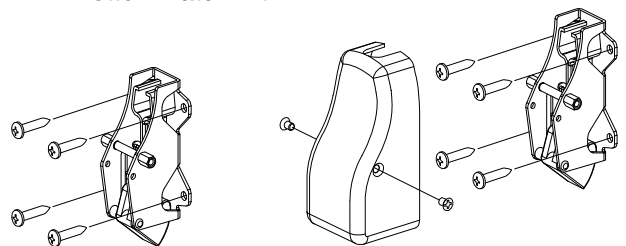
8827 PL Top Latch Kit



Less Cover
Part No. 050471

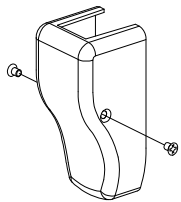
With Cover
Part No. 050473

8827 PL Bottom Latch Kit

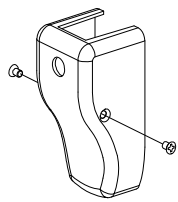


Less Cover
Part No. 050472

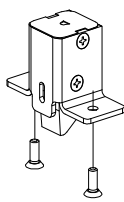
With Cover
Part No. 050479



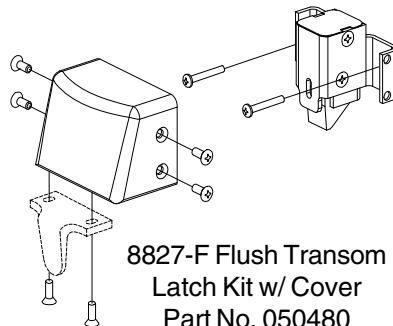
8827 Latch
Cover Kit
Part No. 050464



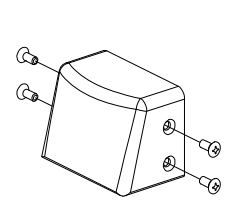
8827-F Top Latch
Cover Kit
Part No. 050465



8827-F/47-F
Soffit Latch Kit
Part No. 114141



8827-F Flush Transom
Latch Kit w/ Cover
Part No. 050480

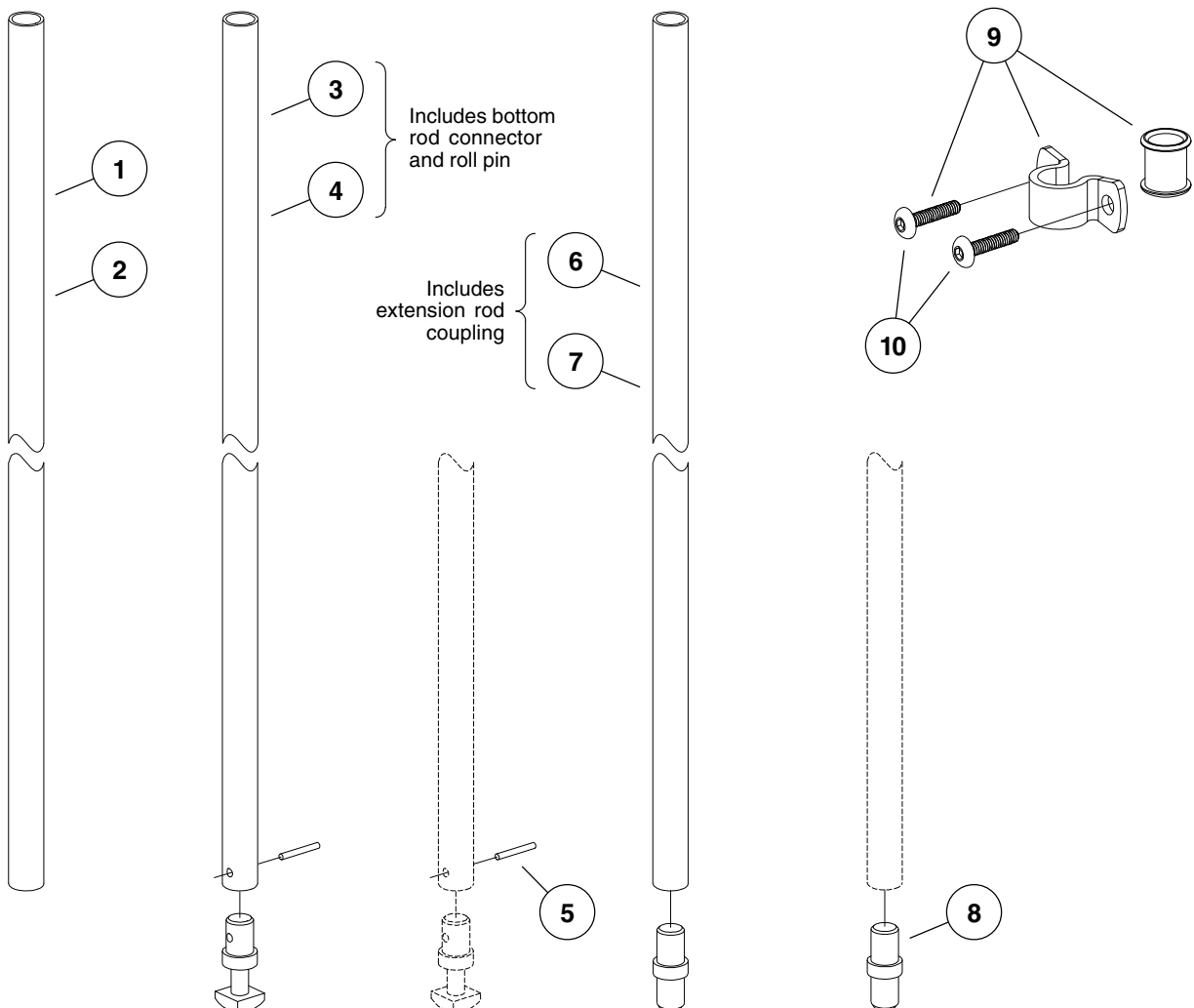


8827-F Flush Transom
Latch Cover Kit
Part No. 050481

VERTICAL RODS

Item No.	Part No.	Description	Quantity	Finish
1	050453	8827 Top Rod Kit	1	X
2	050454	8827-F Top Rod Kit	1	X
3	050455	8827 Bottom Rod Kit	1	X
4	050456	8827-F Bottom Rod Kit	1	X
5	090010	8827/27-F Bottom Rod Roll Pin Pkg.	10	
6	051701	8827 12" Extension Rod Kit	1	X
7	051703	8827 24" Extension Rod Kit	1	X
8	050093	8827 Extension Rod Coupling	1	
9	050482	8827 Rod Guide Kit	1	X
10	900534	8827 Rod Guide Mounting Pkg.		X
		10-12 x 10-24 x 1 PTHCS	2	

X in "Finish" column designates finished item; specify finish when ordering.

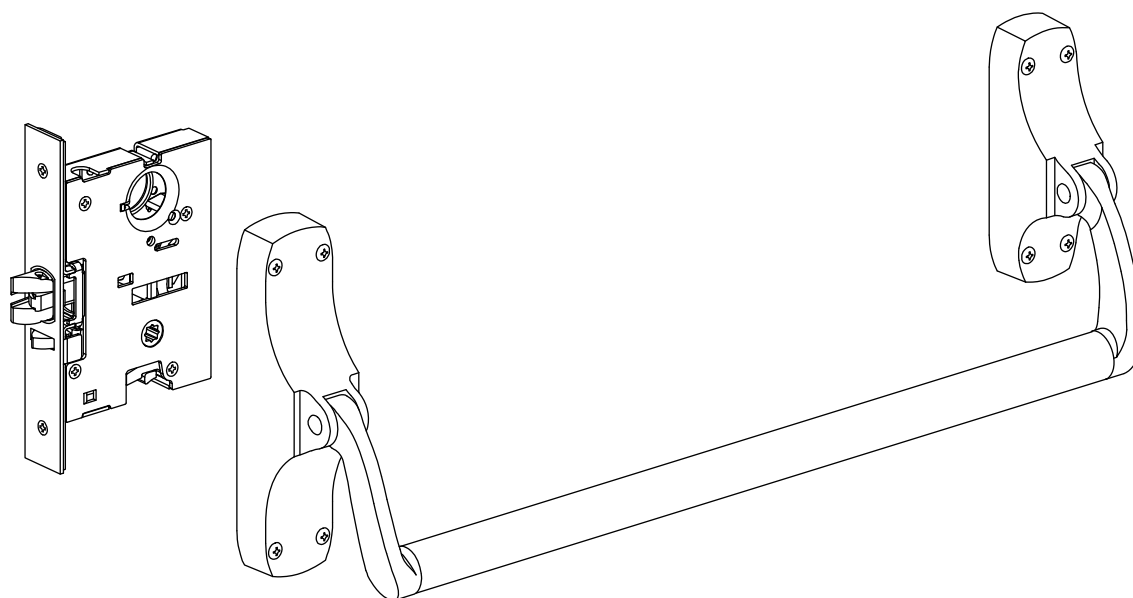


VON DUPRIN[®]

PARTS MANUAL

JULY 2009

8875 MORTISE LOCK SERIES EXIT DEVICES



PM8875_A
VD-5557

IR Ingersoll Rand
Security Technologies

Copyright © 2009 Ingersoll-Rand. All rights reserved.

INDEX

General Information

Introduction	2
How to Order	2
Part Number Changes	2
8875 Series Finishes	3
Outside Trim Functions	3
Strikes	3

8875 Series Device Parts

Lever Arm Parts Packages	4
Lever Arm Kits	6
Crossbars	6
End Case Kit and End Case Parts	7
Center Case Kits and Center Case Parts	8

INTRODUCTION

This manual contains a listing of replaceable parts and assemblies for the 8875 Series Devices.

HOW TO ORDER

Some parts are sold separately. Other items are available as part of a kit or multiple quantity package. For the best possible service when ordering replacement parts or assemblies, please provide the following information:

- Part number or assembly number
- Description
- Quantity needed
- Finish desired (if available finished)
- Date of original purchase (if known)

To find out the name of your local Von Duprin distributor or sales representative, contact:

Von Duprin Division
Ingersoll-Rand Company
2720 Tobey Drive
Indianapolis, Indiana 46219
Phone: (800) 999-0408
Fax: (800) 999-0328

PART NUMBER CHANGES

This manual reflects the product as sold in July 2009. Because of changes to the product and/or manufacturing process, part numbers can change.

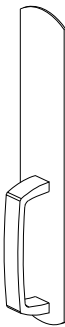
8875 SERIES FINISHES

US Number	BHMA Number	Color
US3	605	Brass, polished
US3A	408	Brass, polished no laquer
US4	606	Brass, dull
US4A	410	Brass, dull no laquer
US10	612	Bronze, dull
US10B	613	Brass, dull (oxidized)
US26	625	Chrome, polished
US26D	626	Chrome, dull
SPBLK	693	Gloss black powder

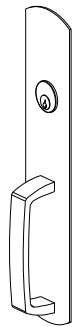
OUTSIDE TRIM FUNCTIONS



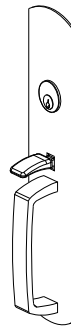
880EO



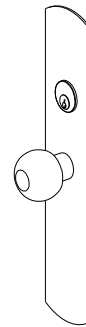
880DT



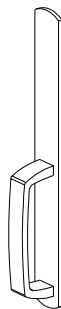
880NL



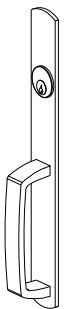
880TP



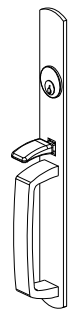
880K



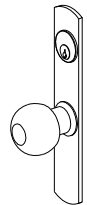
608DT



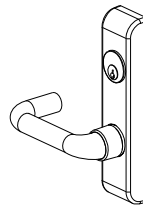
608NL



608TP



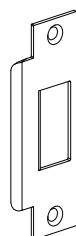
606K



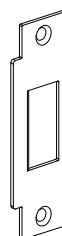
373L

STRIKES

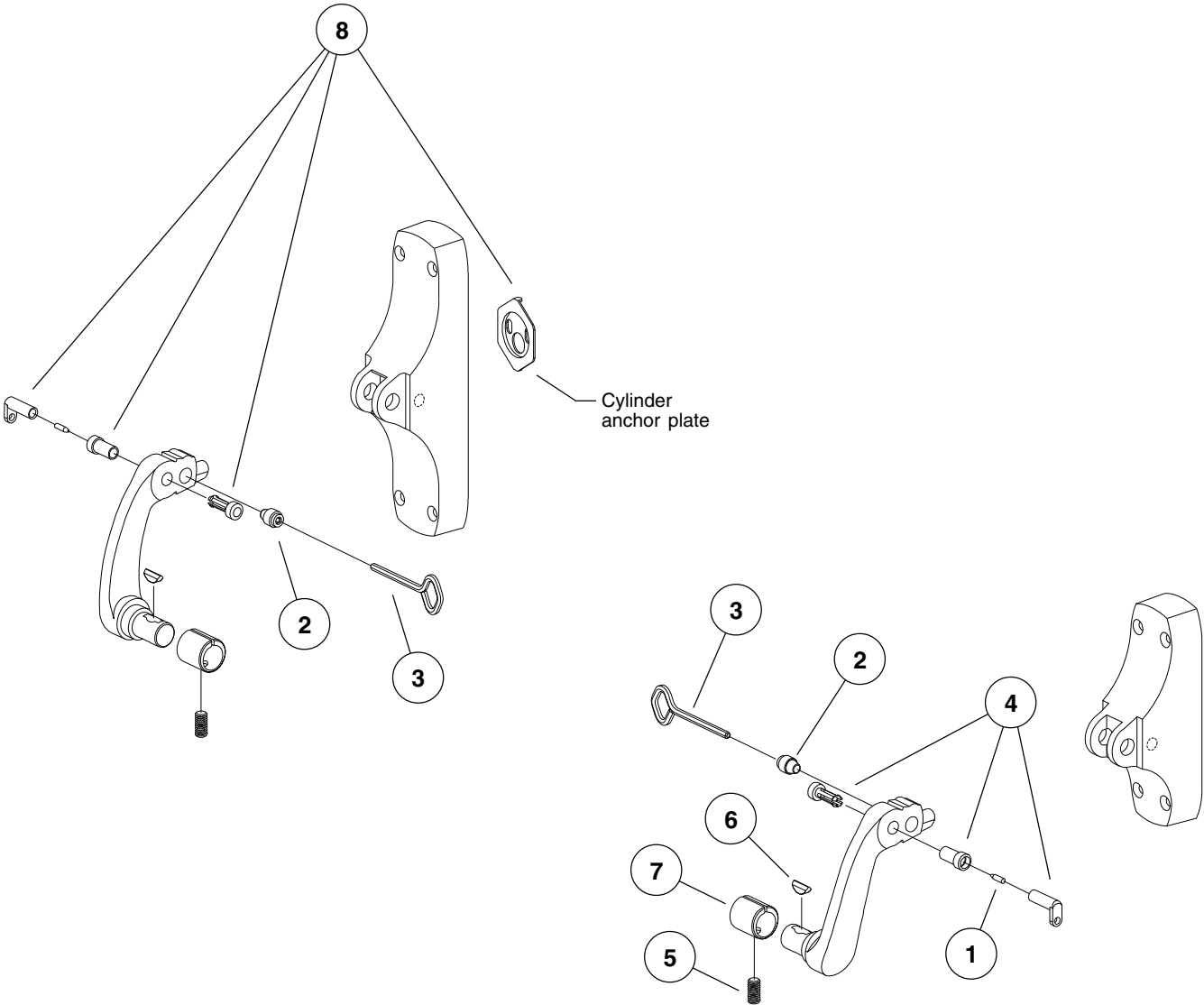
575
single door



575-2
double door



LEVER ARM PARTS PACKAGES



LEVER ARM PARTS PACKAGES

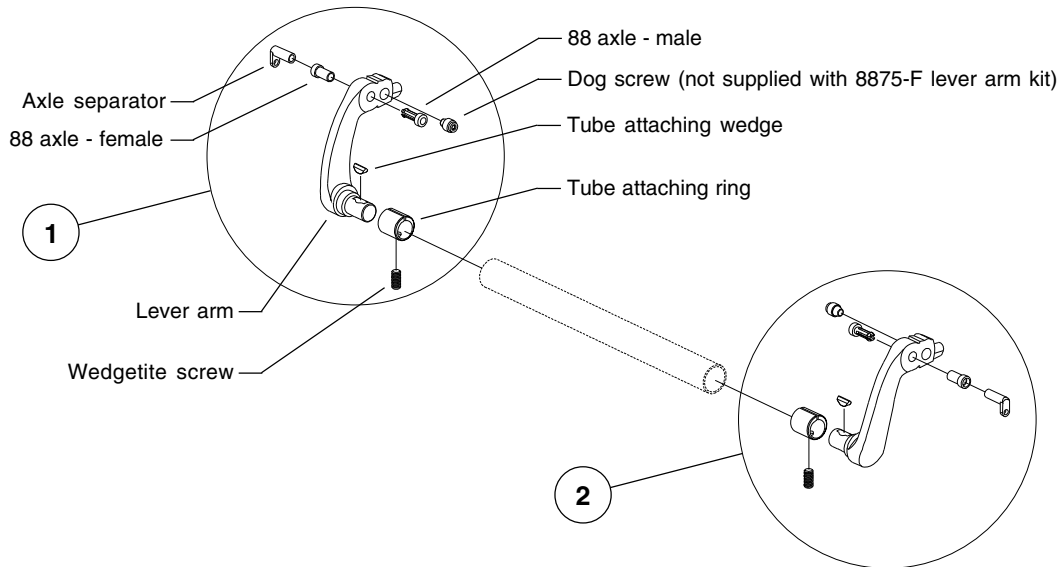
Item No.	Part No.	Description	Quantity	Finish
1	090007	Axle Security Pin Pkg.	10	
1	033022	Axle Security Pin Pkg.	50	
2	090004	Dog Screw Pkg.	2	
2	090083	Dog Screw Pkg.	10	
3	090005	227 Dog Key 5/32" Pkg.	2	
3	090085	227 Dog Key 5/32" Pkg.	10	
4	090006	88 Lever Arm Axles		
		88 Axle Separator	2	
		88 Axle - Male	2	
		88 Axle - Female	2	
4	090082	88 Lever Arm Axles		
		88 Axle Separator	10	
		88 Axle - Male	10	
		88 Axle - Female	10	
5	090008	Wedgetite Screw Pkg.	2	
5	090081	Wedgetite Screw Pkg.	30	
6	090020	Crossbar Tube Attaching Wedge Pkg.	2	
7	090021	Crossbar Tube Attaching Ring Pkg.	2	
8	103865	88 Lever Arm Axle Pkg.		
		Cyliner Anchor Plate	1	
		88 Axle Separator	1	
		88 Axle - Male	2	
		88 Axle - Female	2	

X in "Finish" column designates finished item; specify finish when ordering.

LEVER ARM KITS

Item No.	Part No.	Description	Quantity	Finish
1	050439	88 R/M/V LH Lever Arm Kit (includes dog screw)	1	X
1	050445	8875-F LH Lever Arm Kit (no dog screw)	1	X
2	050438	88 R/M/V RH Lever Arm Kit (includes dog screw)	1	X
2	050444	8875-F RH Lever Arm Kit (no dog screw)	1	X

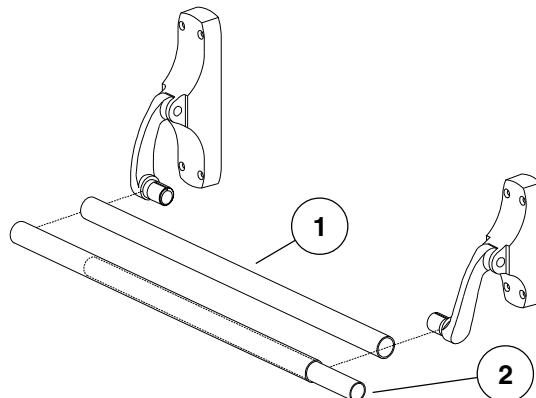
X in "Finish" column designates finished item; specify finish when ordering.



CROSSBARS

Item No.	Part No.	Description	Quantity	Finish
1	050004	42" Standard Crossbar Kit	1	X
1	050005	42" Knurled Crossbar Kit	1	X
2	050459	37" Crossbar Reinforcement Kit	1	

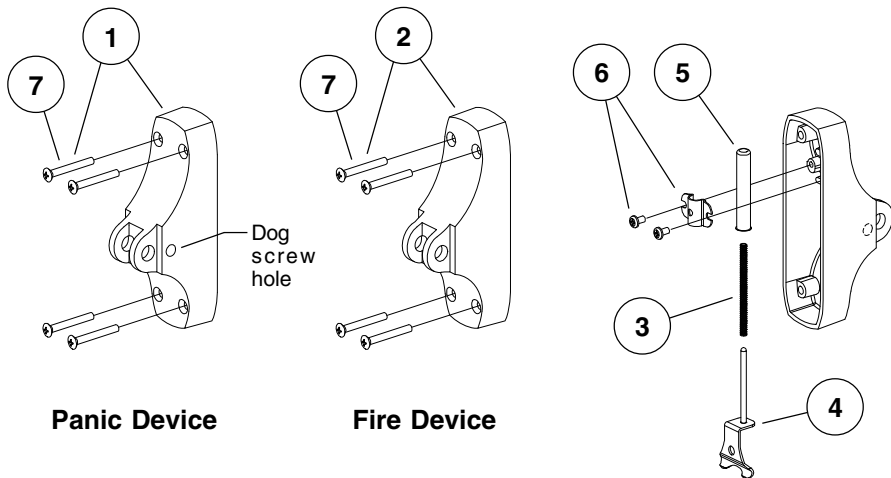
X in "Finish" column designates finished item; specify finish when ordering.



END CASE KIT AND END CASE PARTS

Item No.	Part No.	Description	Quantity	Finish
1	050435	88 R/M/V End Case Kit		X
		88 R/M/V End Case	1	
		10-24 x 1-1/2" OPHMS	4	
		10-24 x 2" OPHMS	4	
		10-12 x 10-24 x 2" OPHCS	4	
2	050436	8827-F/8875-F/8847-F End Case Kit		X
		88SV/CV/M-F End Case	1	
		10-24 x 1-1/2" OPHMS	4	
		10-24 x 2" OPHMS	4	
		10-12 x 10-24 x 2" OPHCS	4	
3	090003	88 End Case Spring Pkg.	2	
3	090080	88 End Case Spring Pkg.	10	
4	050451	88 End Case Spring Stop Kit	1	
5	050476	88/88-F End Case Spring Tube	1	
6	050477	88/88-F Spring Tube Bracket w/Screws Kit		
		88/88-F Spring Tube Bracket	1	
		88/88-F Spring Tube Bracket Screws	2	
7	900503	88 Center or End Case Mtg. Pkg. (CS and MS screws)		X
		10-24 x 1-1/2" OPHMS	4	
		10-24 x 2" OPHMS	4	
		10-12 x 10-24 x 2" OPHCS	4	
7	900504	88 Center or End Case Mtg. Pkg. (CS screws)		X
		10-12 x 10-24 x 2" OPHCS	4	
7	900505	88 Center or End Case Mtg. Pkg. (MS screws 1-3/4" door)		X
		10-24 x 1-1/2" OPHMS	4	
7	900506	88 Center or End Case Mtg. Pkg. (MS screws 2-1/4" door)		X
		10-24 x 2" OPHMS	4	

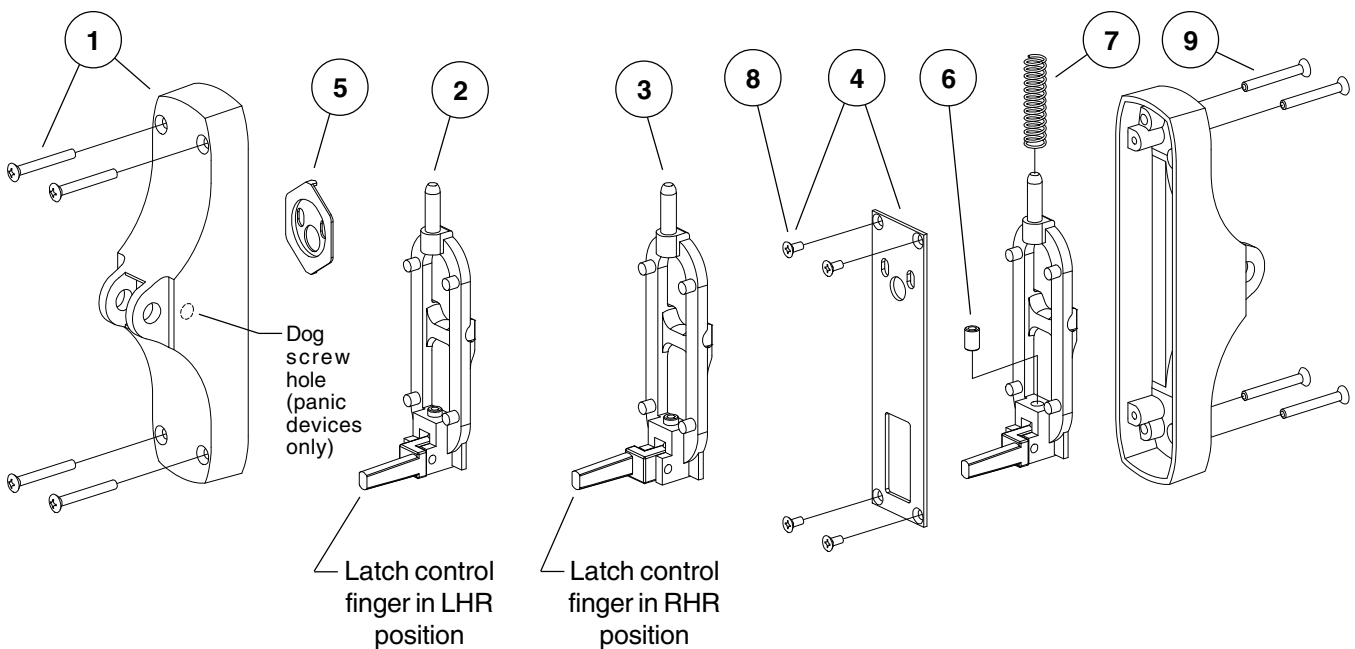
X in "Finish" column designates finished item; specify finish when ordering.



CENTER CASE KITS AND CENTER CASE PARTS

Item No.	Part No.	Description	Quantity	Finish
1	050422	8847-F RHR Center Case Kit	1	X
1	050423	8847-F LHR Center Case Kit	1	X
2	050209	8847-F/75/75-F Latch Control LH	1	
3	050210	8847-F/75/75-F Latch Control RH	1	
4	050211	8847-F/75/75-F Backplate w/ Screws	1	
5	050331	88 Cylinder Anchor Plate	1	
6	090013	8847-F/75-F Flat point Set Screw Pkg.	5	
7	090014	8847-F/75/75-F Center Case Spring Pkg.	2	
8	900615	8827 Backplate Screw Pkg.	4	
9	900503	88 Center or End Case Mtg. Pkg. (CS and MS screws)		X
		10-24 x 1-1/2" OPHMS	4	
		10-24 x 2" OPHMS	4	
		10-12 x 10-24 x 2" OPHCS	4	
9	900504	88 Center or End Case Mtg. Pkg. (CS screws)		X
		10-12 x 10-24 x 2" OPHCS	4	
9	900505	88 Center or End Case Mtg. Pkg. (MS screws 1-3/4" door)		X
		10-24 x 1-1/2" OPHMS	4	
9	900506	88 Center or End Case Mtg. Pkg. (MS screws 2-1/4" door)		X
		10-24 x 2" OPHMS	4	

X in "Finish" column designates finished item; specify finish when ordering.



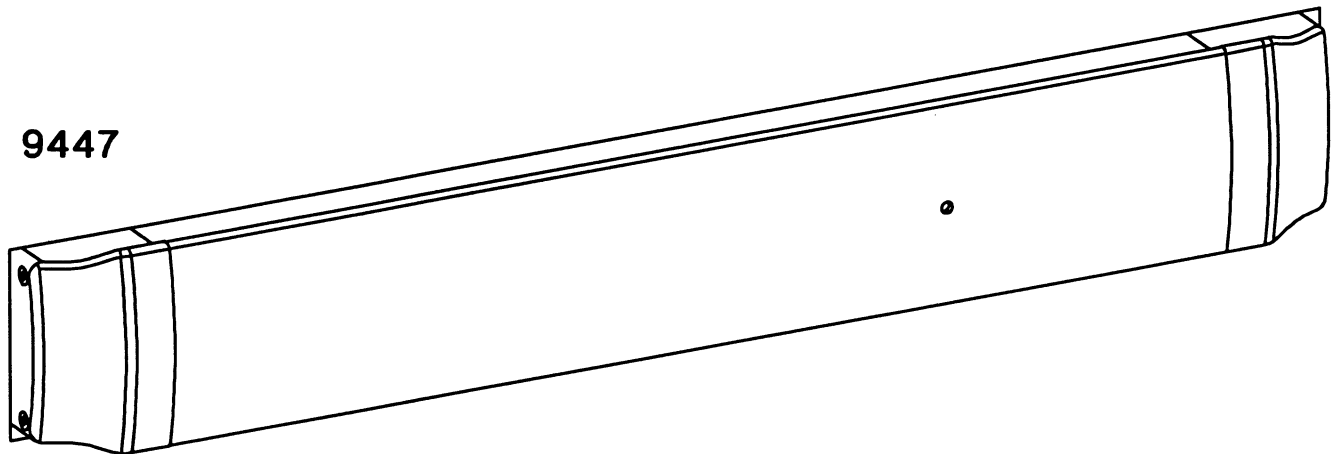
VON DUPRIN

PARTS MANUAL

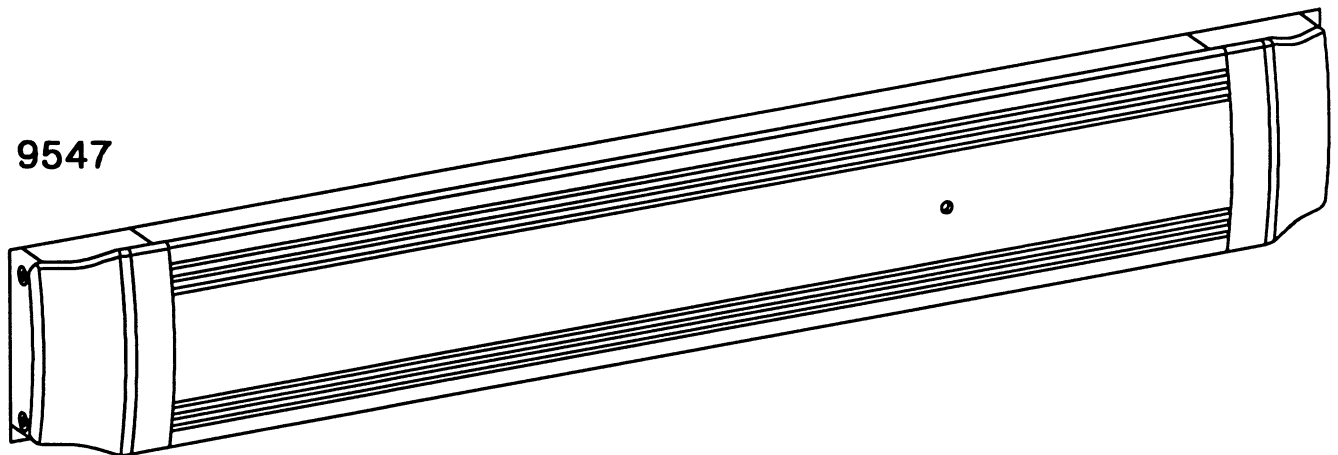
JULY 1999

94/9547 SERIES RECESSED EXIT DEVICES

9447



9547



INDEX

94/9547 Concealed Vertical Rod Devices (Panic)
Basic Device 4
Vertical Rods & Latch Cases 8

Variations to the Basic Device:
EL (Electric Latch Retraction)..... 13

94/9547 Concealed Vertical Rod Devices (Fire)
Basic Device 6
Vertical Rods & Latch Cases 10
LBR (Less Bottom Rod) Fire Latch Kit..... 12

Variations to the Basic Device:
EL (Electric Latch Retraction)..... 13

General Information
How to Order 2
Finishes 3
Outside Trim Functions 3
Strikes..... 3

INTRODUCTION

This Manual contains a listing of replaceable parts and assemblies for the 94/9547 Panic and Fire Recessed Exit Devices. (94 Series and 95 Series devices are almost identical. The 95 Series has a grooved pushpad; the 94 Series has a smooth pushpad .)

HOW TO ORDER

Some parts are sold separately. Other items are available as part of an assembly. For the best possible service when ordering replacement parts or assemblies, please provide the following information:

- Part or Assembly number
- Description
- Quantity needed
- Finish desired (if available finished)
- Date of original purchase, if known

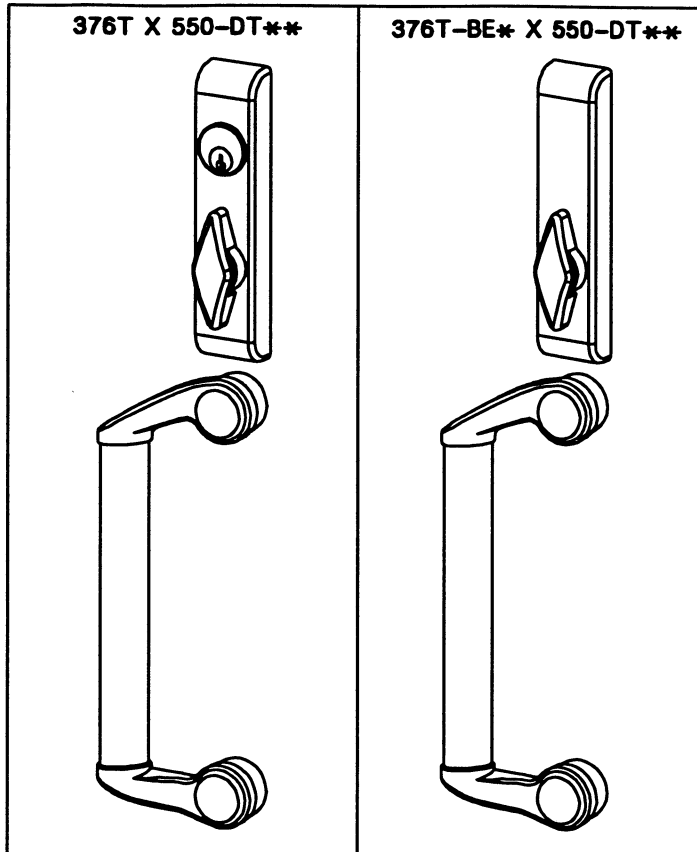
To find out the name of your local Von Duprin distributor or sales representative, contact:

Von Duprin Division
Ingersoll-Rand Company
2720 Tobey Drive
Indianapolis, Indiana 46219
Phone: (800) 999-0408
Fax: (800) 999-0328

PART NUMBER CHANGES

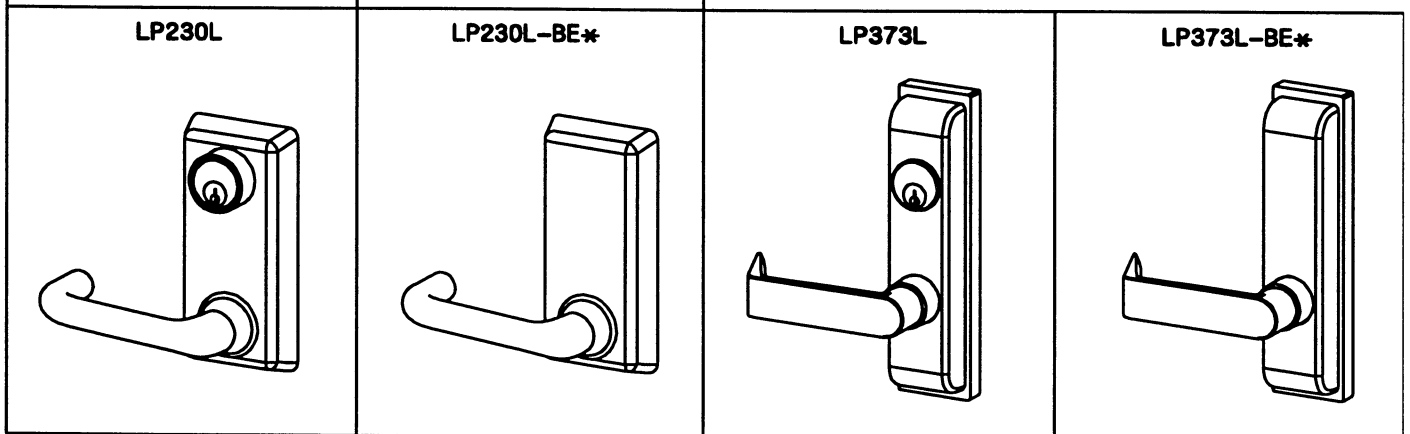
This manual reflects the product as sold in July 1999. Because of changes to the product and/or manufacturing process, part numbers can change.

OUTSIDE TRIM FUNCTIONS



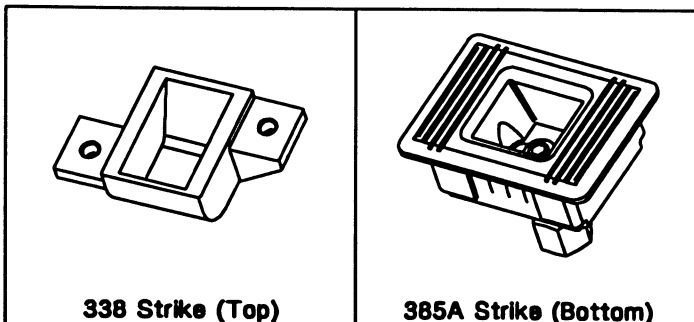
94/95 SERIES FINISHES

U.S. Std. Reference	BHMA Reference	Description
US3	605	Polished Brass
US4	606	Dull Brass
US10	612	Dull Bronze
US26	625	Polished Chrome
US26D	626	Dull Chrome
US28	628	Anodized Alum. (Clear)
313AN	710	Anodized Alum. (313) Dark Bronze



* "BE" (Blank Escutcheon) no cylinder used - lever or knob always active
 ** "DT" (Dummy Trim) rigid lever or knob for pull operation

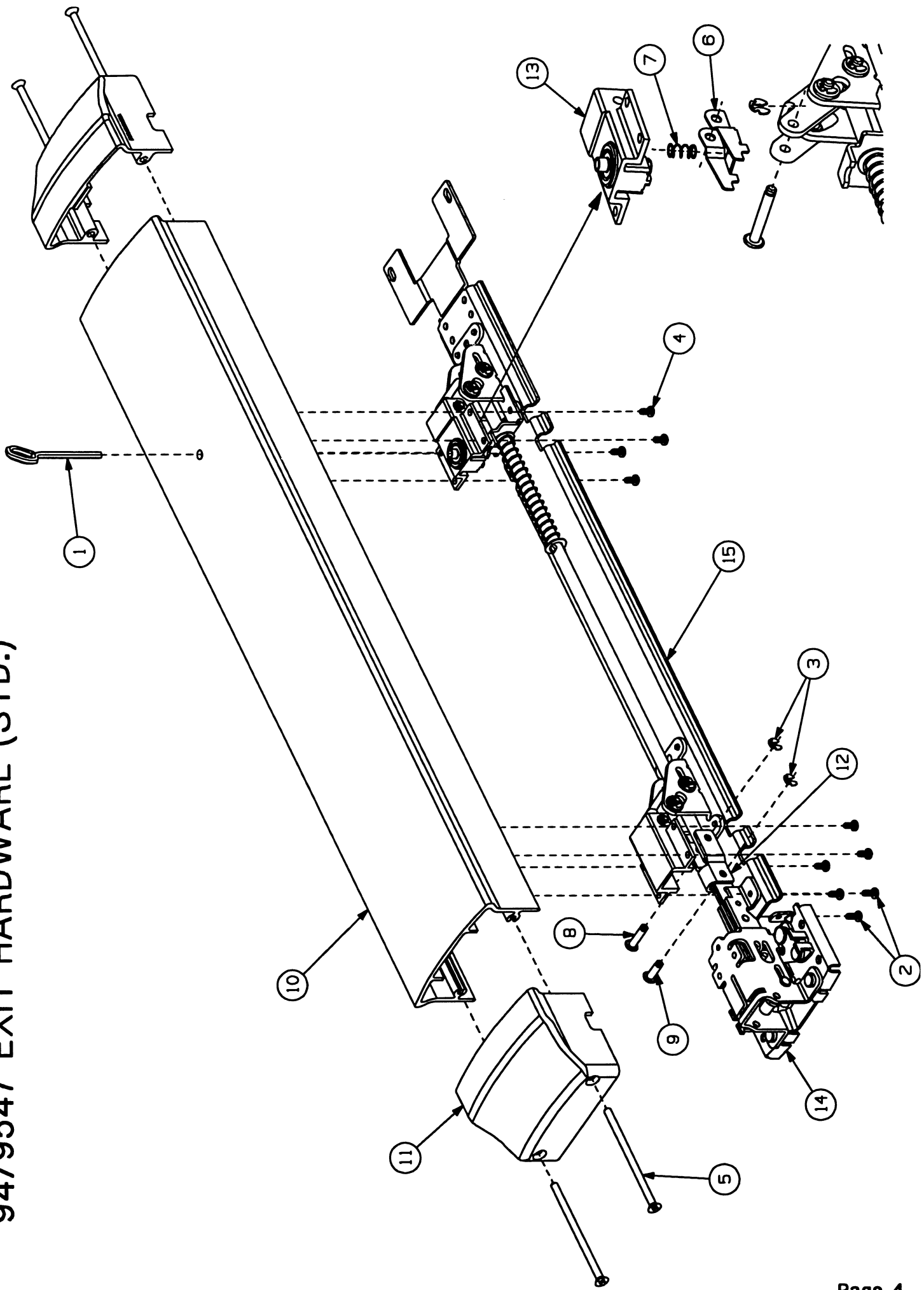
STANDARD STRIKES



OPTIONAL STRIKE



94/9547 EXIT HARDWARE (STD.)



94/9547 EXIT HARDWARE (STD.)

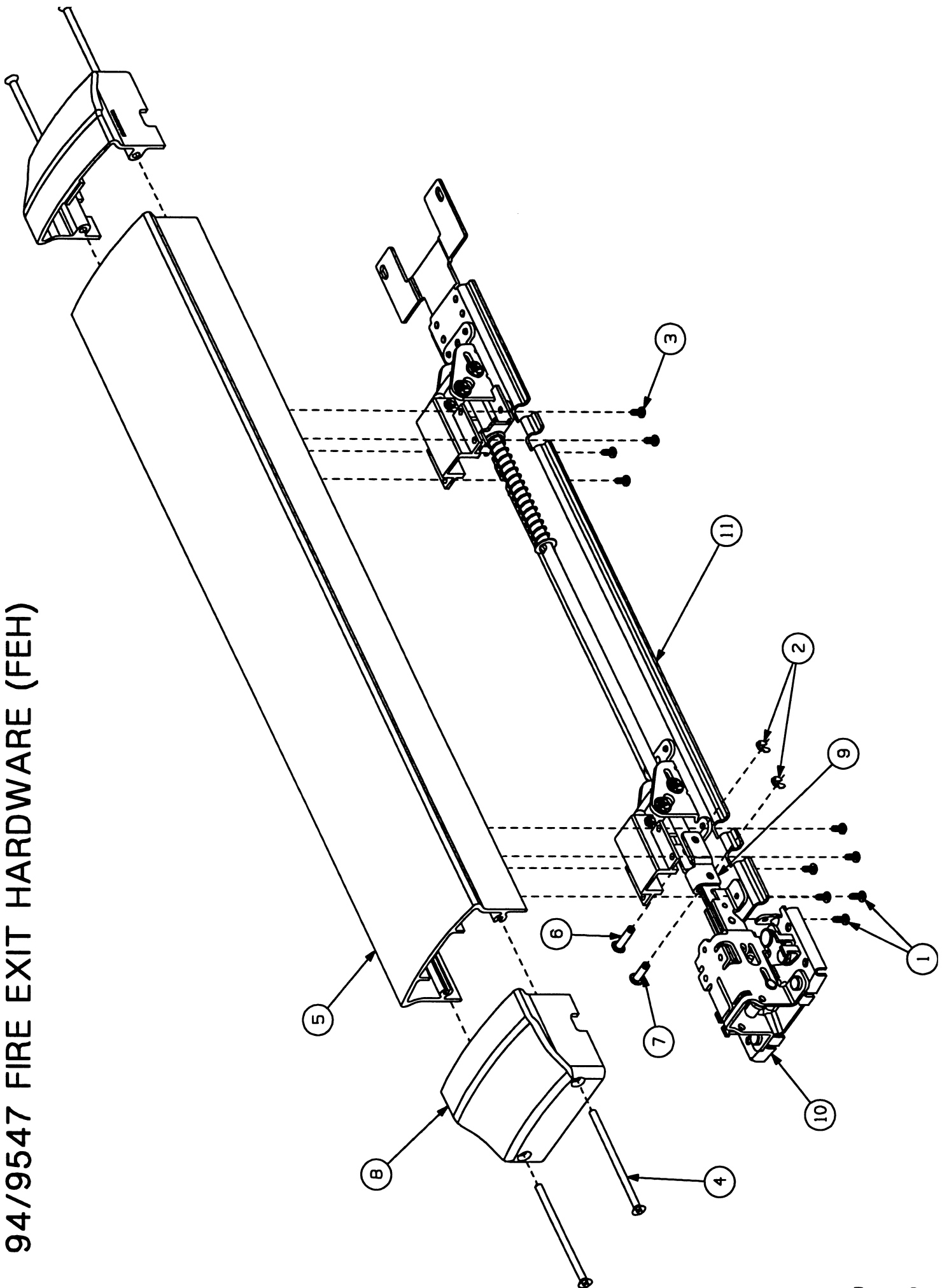
ITEM NO.	QTY	PART NO.	DESCRIPTION	FINISH
1	1	090085	227 Dog Key 5/32" Hex (Pack of 10)	
2	2	963712	8-32 X 3/8" PPHMS Thd. Forming	
3	2	964066	Retaining Ring	
4	8	964081	8-32 x 5/16" PPHMS	
5	4	964501	10-24 X 3-1/2" PFHMS	X
6	1	971659	Dogging Clip	
7	1	971664	Dogging Clip Spring	
8	1	971706	Baseplate Link Pin	
9	1	971708	Center Case Link Pin	
10	1	971709	9547 Pushpad - Std. (Grooved) for US10,26	X
10	1	971710	9447 Pushpad - Std. (Smooth) for US3,26	X
10	1	971763	9547 Pushpad - Std. (Grooved) for US4,10,26D,28,313AN	X
10	1	971764	9447 Pushpad - Std. (Smooth) for US4,10,26D,28,313AN	X
11	2	971711	94/9547 End Cap (622 Std. Finish)	X
12	1	971712	Main Control Link	
13	1	BRKT.131	94/9547 Dogging Bracket Sub-Assembly	
14	1	CASE.107	94/9547 Center Case Assembly	
15	1	PLATE.111	94/9547 Baseplate Assembly - Std.	

X DESIGNATES FINISHED ITEMS AND FINISH MUST BE SPECIFIED WHEN ORDERING

NOTES:

- 1) THE SAME FINISH SHOULD BE SPECIFIED FOR ITEMS 5 & 11
- 2) ITEMS 13 & 15 ARE NOT FOR FIELD CONVERSIONS

94/9547 FIRE EXIT HARDWARE (FEH)



94/9547 FIRE EXIT HARDWARE (FEH)

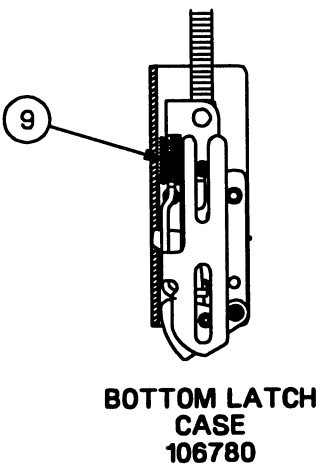
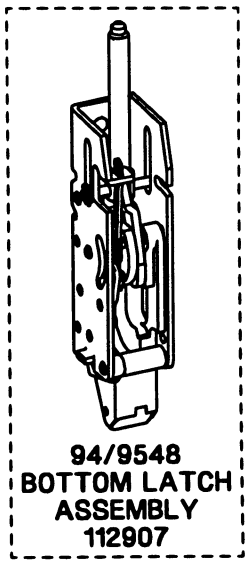
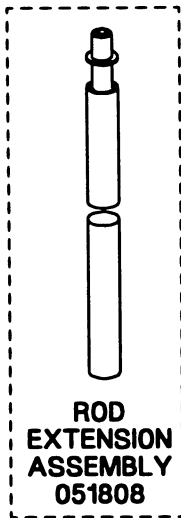
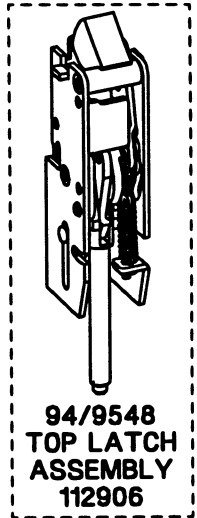
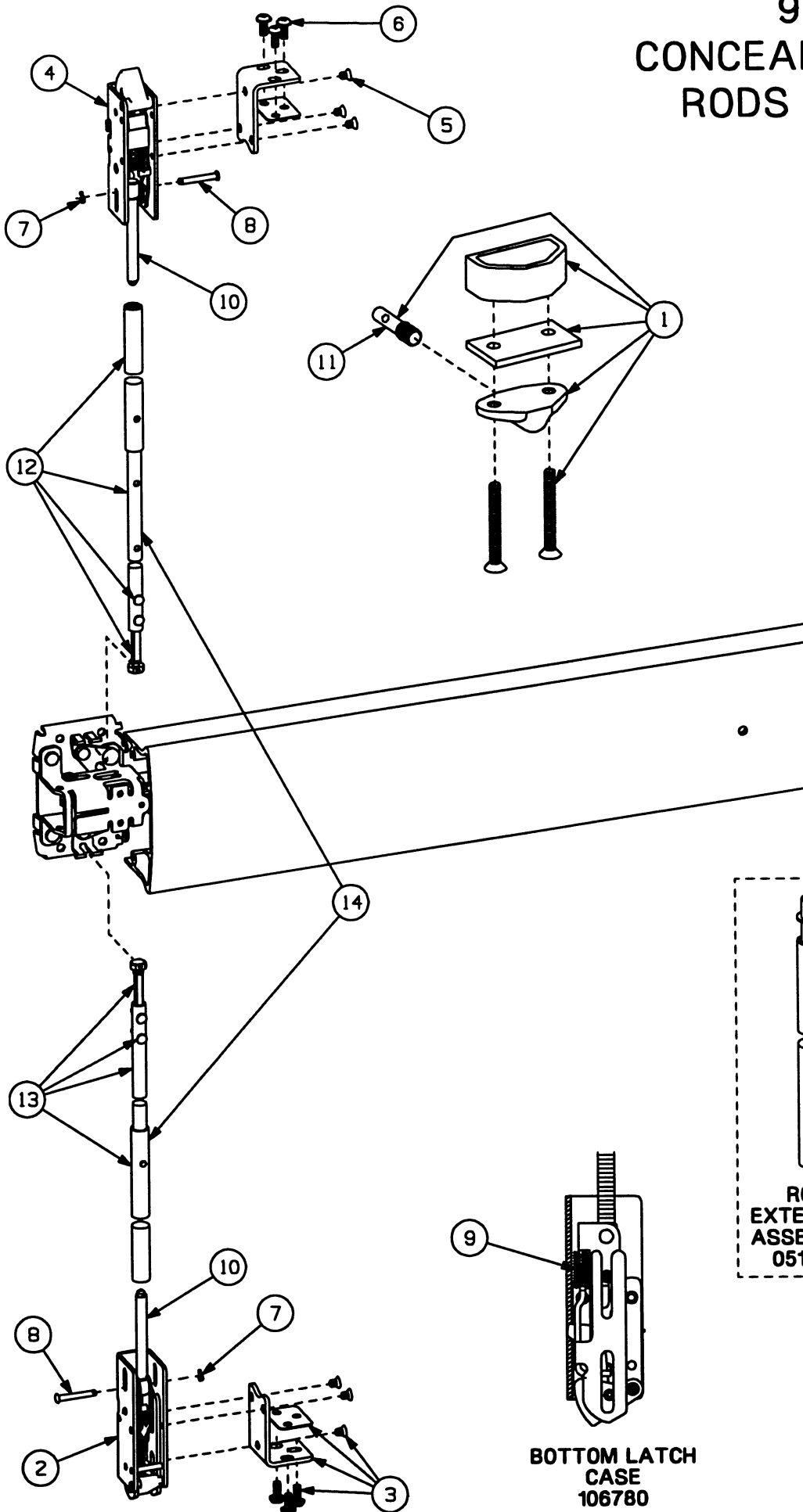
ITEM NO.	QTY	PART NO.	DESCRIPTION	FINISH
1	2	963712	8-32 X 3/8" PPHMS Thd. Forming	
2	8	964066	Retaining Ring	
3	8	964081	8-32 x 5/16" PPHMS	
4	4	964501	10-24 X 3-1/2" PFHMS	X
5	1	971655	9547 Pushpad - FEH (Grooved) for US3,26	X
5	1	971656	9447 Pushpad - FEH (Smooth) for US3,26	X
5	1	971765	9547 Pushpad - FEH (Grooved) for US4,10,26D,28,313AN	X
5	1	971766	9447 Pushpad - FEH (Smooth) for US4,10,26D,28,313AN	X
6	1	971706	Baseplate Link Pin	
7	1	971708	Center Case Link Pin	
8	2	971711	94/9547 End Cap (622 Std. Finish)	X
9	1	971712	Main Control Link	
10	1	CASE.107	94/9547 Center Case Assembly	
11	1	PLATE.117	94/9547 Baseplate Assembly - FEH	

X DESIGNATES FINISHED ITEMS AND FINISH MUST BE SPECIFIED WHEN ORDERING

NOTES:

- 1) THE SAME FINISH SHOULD BE SPECIFIED FOR ITEMS 4 & 8
- 2) ITEM 11 IS NOT FOR FIELD CONVERSION

94/9547 CONCEALED VERTICAL RODS & LATCHES

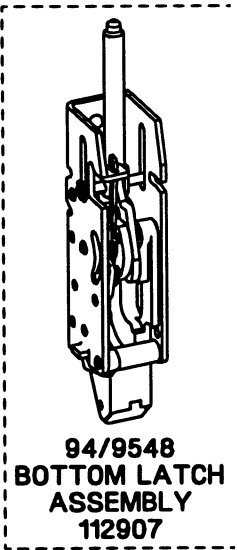
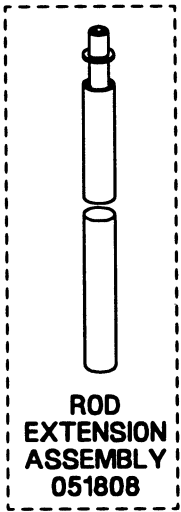
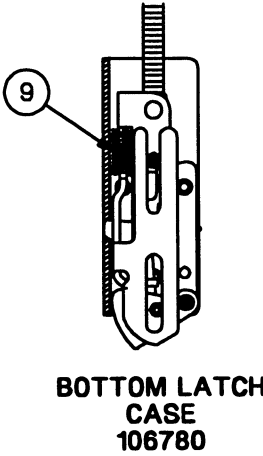
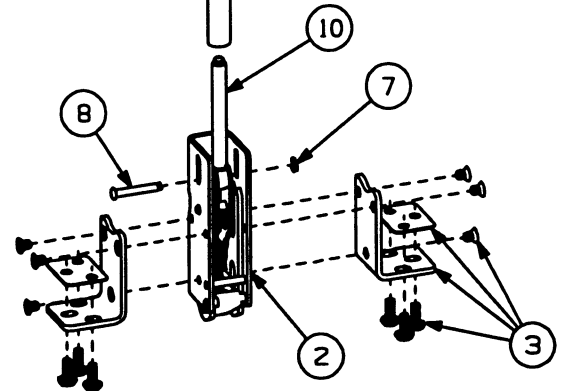
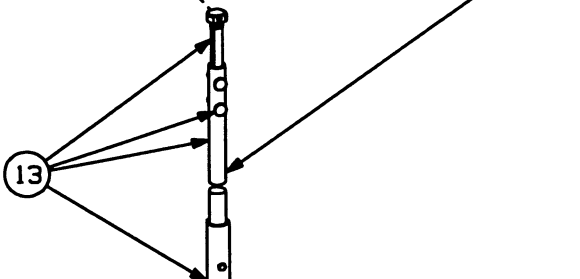
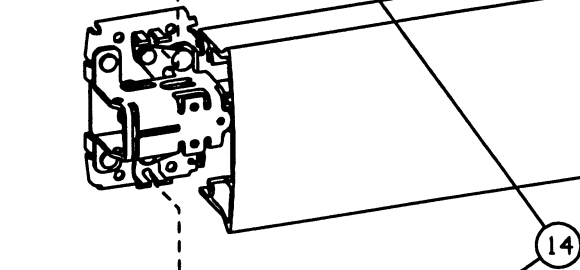
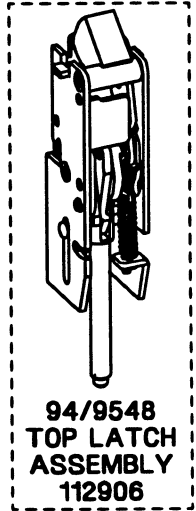
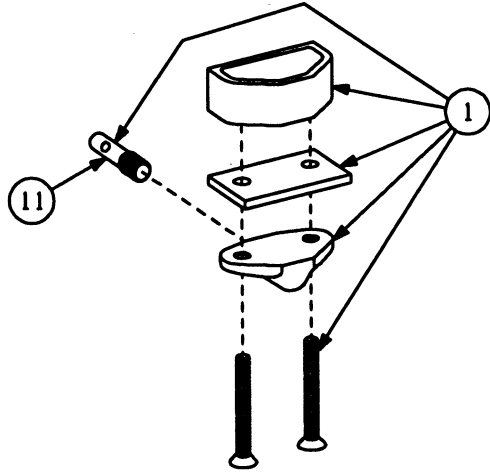
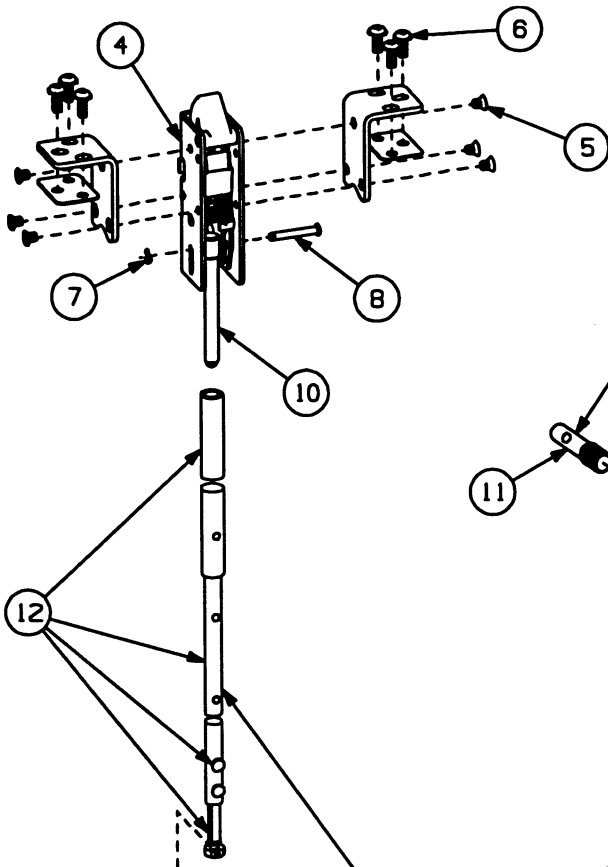


94/9547 CONCEALED VERTICAL RODS & LATCHES

ITEM NO.	QTY	PART NO.	DESCRIPTION	FINISH
1	1	106222	Ratchet Release Assembly	X
2	1	106780	Bottom Latch Case	
3	2	109324	Latch Mtg. Bracket Assy	
4	1	109759	Top Latch Case	
5	12	963128	Latch Bracket Mounting Screw (Latch)	
6	12	963155	Latch Bracket Mounting Screw (Door)	
7	2	964085	Retaining Ring	
8	2	967448	Latch Link Pin	
9	1	967826	Bolt Return Spring	
10	2	969252	Rod Connecting Screw	
11	1	971584	Ratchet Release Screw	
12	1	RODASY.121	94/9547 Top Rod Assembly 6'8"-8'4"	
13	1	RODASY.122	94/9547 Adj. Bottom Rod Assembly	
14	1	RODASY.123	94/9547 Rod Set 6'8"-8'4"	

X DESIGNATES FINISHED ITEMS AND FINISH MUST BE SPECIFIED WHEN ORDERING

94/9547 (FEH) CONCEALED VERTICAL RODS & LATCHES



94/9547 (FEH) CONCEALED VERT. RODS & LATCHES

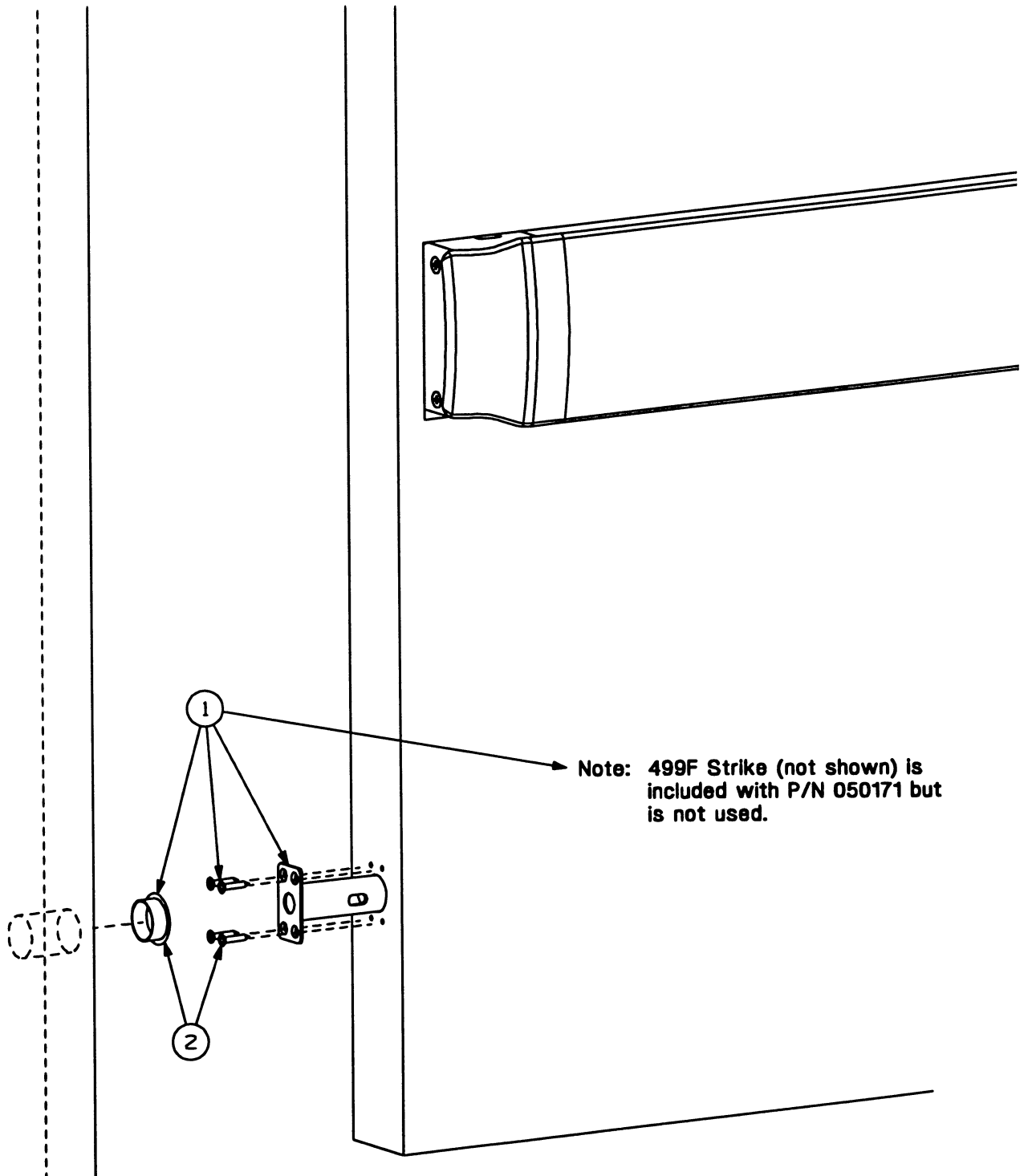
ITEM NO.	QTY	PART NO.	DESCRIPTION	FINISH
1	1	106222	Ratchet Release Assembly	X
2	1	106780	Bottom Latch Case	
3	4	109324	Latch Mtg. Bracket Assy	
4	1	109759	Top Latch Case	
5	12	963128	Latch Bracket Mounting Screw (Latch)	
6	12	963155	Latch Bracket Mounting Screw (Door)	
7	2	964085	Retaining Ring	
8	2	967448	Latch Link Pin	
9	1	967826	Bolt Return Spring	
10	2	969252	Rod Connecting Screw	
11	1	971584	Ratchet Release Screw	
12	1	RODASY.121	94/9547 Top Rod Assembly 6'8"-8'4"	
13	1	RODASY.122	94/9547 Adj. Bottom Rod Assembly	
14	1	RODASY.123	94/9547 Rod Set 6'8"-8'4"	

X DESIGNATES FINISHED ITEMS AND FINISH MUST BE SPECIFIED WHEN ORDERING

94/9547 LBR (LESS BOTTOM ROD) FIRE LATCH KIT

ITEM NO.	QTY	PART NO.	DESCRIPTION	FINISH
1	1	050171	LBR Fire Latch/Strike Kit	
2	1	900973	LBR Strike Plug/Screw Package	

X DESIGNATES FINISHED ITEMS AND FINISH MUST BE SPECIFIED WHEN ORDERING

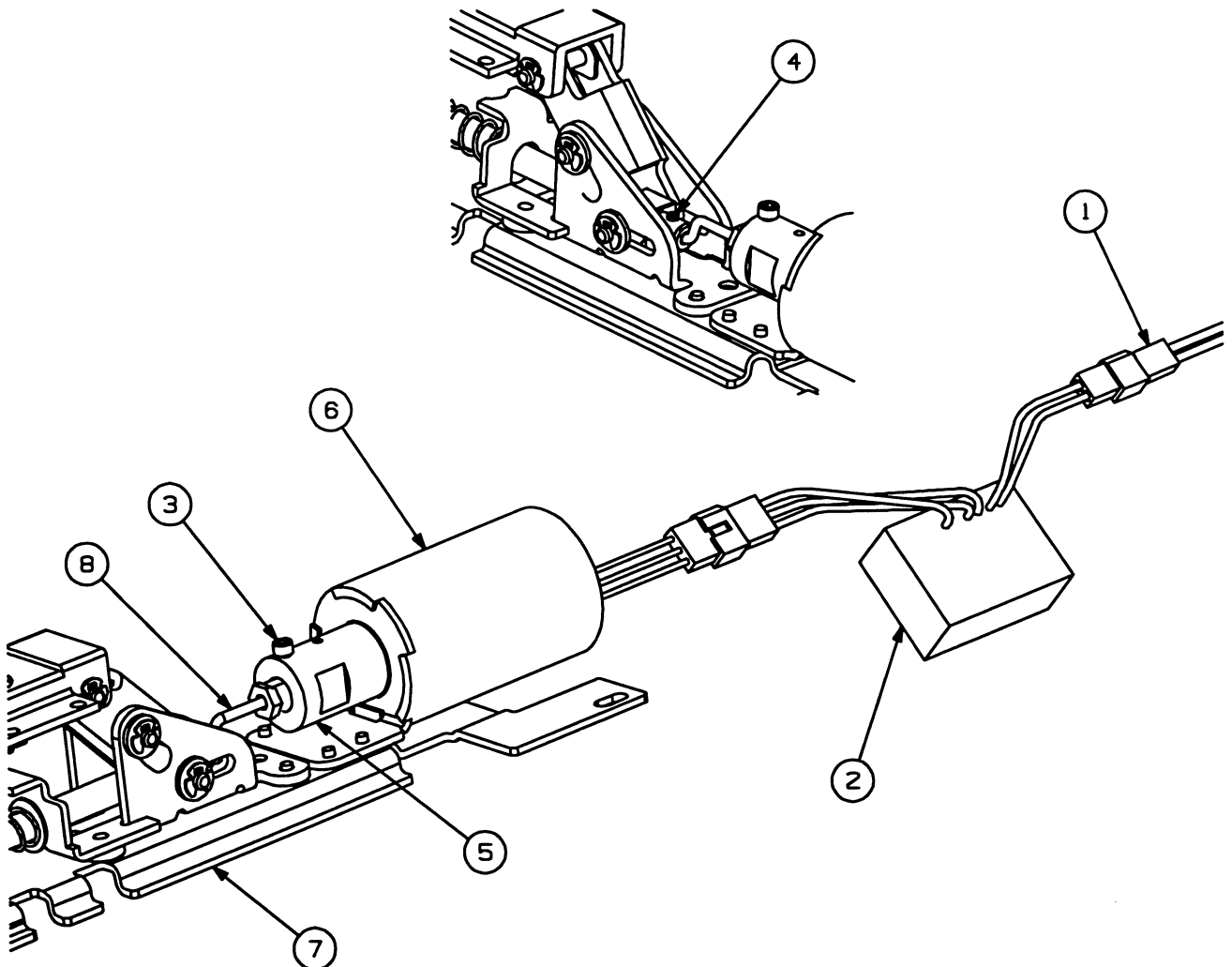


94/9547 – EL (STD. & FEH) ELECTRIC LATCH RETRACTION OPTION

ITEM NO.	QTY	PART NO.	DESCRIPTION	FINISH
1	1	110388	EL 6' Cable and Connector	
2	1	110741	Potted Circuit Breaker (EL Solenoid)	
3	1	964059	#6-32 x 3/8" SHCS	
4	1	964061	#4-40 x 3/16" Socket Set Screw	
5	1	971702	Solenoid Plunger	
6	1	971703	94/9547 EL Solenoid Assembly	
7	1	PLATE.118	94/9547 Std. Baseplate Assembly - EL	
7	1	PLATE.119	94/9547 FEH Baseplate Assembly - EL	
8	1	RODASY.124	94/9547 EL Dogging Rod Assembly	

X DESIGNATES FINISHED ITEMS AND FINISH MUST BE SPECIFIED WHEN ORDERING

NOTE: ITEM 7 IS NOT FOR FIELD CONVERSION

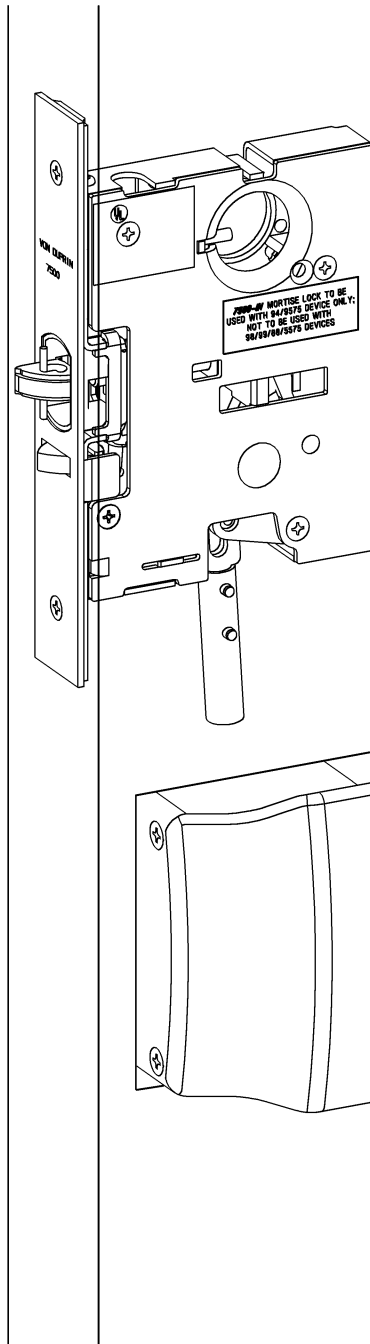


VON DUPRIN

PARTS MANUAL

JULY 2001

94/9575 SERIES RECESSED EXIT DEVICES



9575 SHOWN

INDEX

94/9575 Mortise Devices (Panic)	
Basic Device	4
Variations to the Basic Device:	
EL (Electric Latch Retraction).....	8

94/9575 Mortise Devices (Fire)	
Basic Device	6
Variations to the Basic Device:	
EL (Electric Latch Retraction).....	8

Mortise Locks	
7500-IN Mortise Lock	9
SS7500-IN Mortise Lock	11

General Information	
How to Order	2
Finishes	3
Outside Trim Functions	3
Strikes.....	3

INTRODUCTION

This Manual contains a listing of replaceable parts and assemblies for the 94/9575 Mortise Lock Recessed Exit Devices. (94 Series and 95 Series devices are almost identical. The 95 Series has a grooved pushpad; the 94 Series has a smooth pushpad .)

HOW TO ORDER

Some parts are sold separately. Other items are available as part of an assembly. For the best possible service when ordering replacement parts or assemblies, please provide the following information:

- Part or Assembly number
- Description
- Quantity needed
- Finish desired (if available finished)
- Date of original purchase, if known

To find out the name of your local Von Duprin distributor or sales representative, contact:

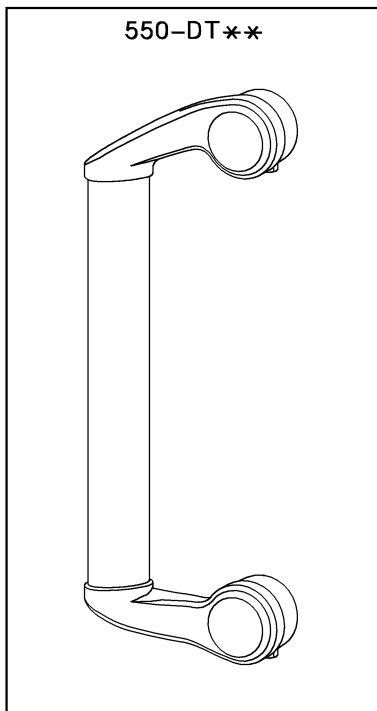
Exit Device Division
Ingersoll-Rand Company
2720 Tobey Drive
Indianapolis, Indiana 46219
Phone: (800) 999-0408
 (317) 613-8944
Fax: (800) 999-0328
 (317) 613-8302

PART NUMBER CHANGES

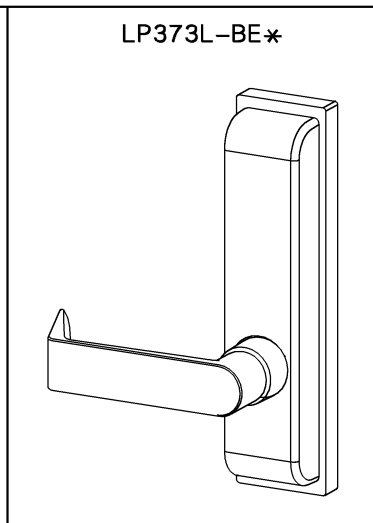
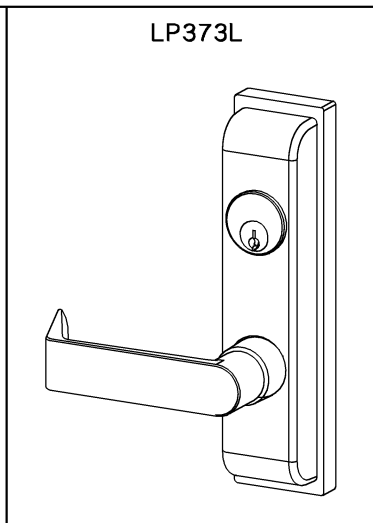
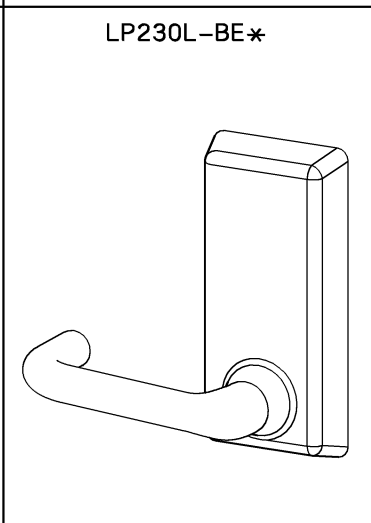
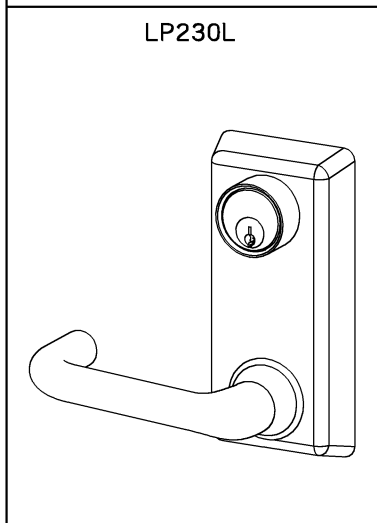
This manual reflects the product as sold in July 2001. Because of changes to the product and/or manufacturing process, part numbers can change.

OUTSIDE TRIM FUNCTIONS

94/95 SERIES FINISHES

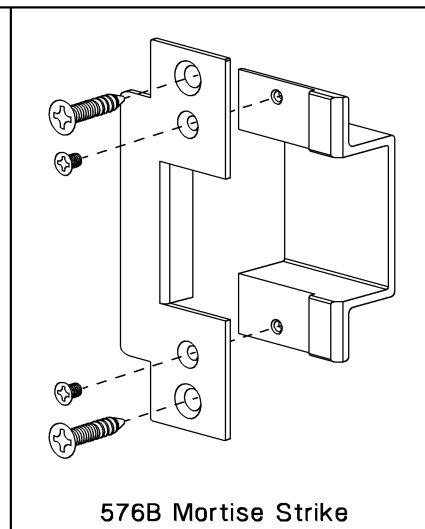
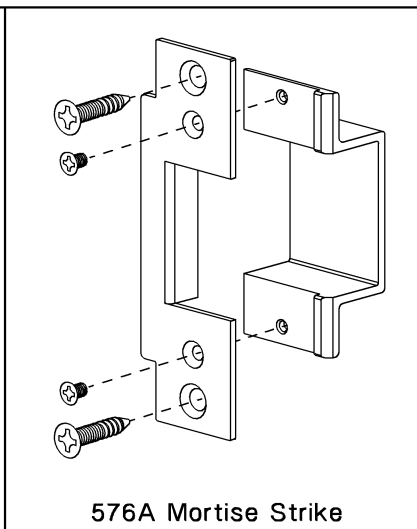
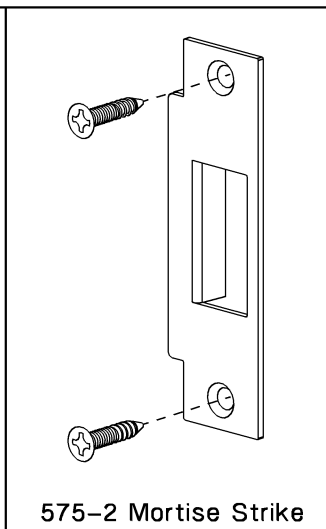
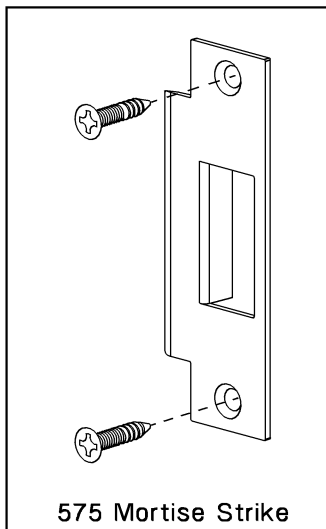


U.S. Std. Reference	BHMA Reference	Description
US3	605	Polished Brass
US4	606	Dull Brass
US10	612	Dull Bronze
US26	625	Polished Chrome
US26D	626	Dull Chrome
US28	628	Anodized Alum. (Clear)
313AN	710	Anodized Alum. (313) Dark Bronze



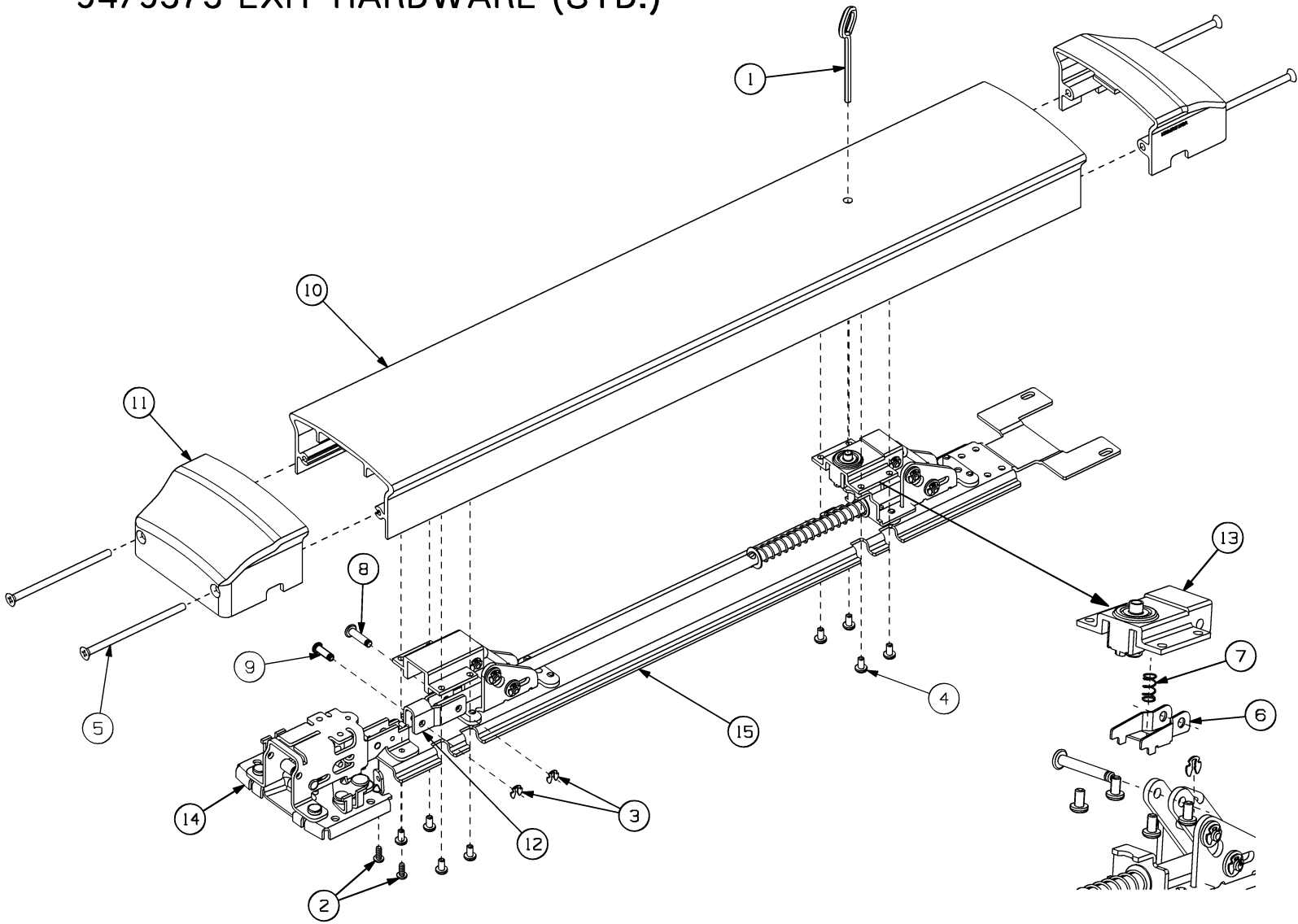
* "BE" (Blank Escutcheon) no cylinder used – lever or knob always active
 ** "DT" (Dummy Trim) rigid lever or knob for pull operation

MORTISE STRIKES



Note: All screws are included with each Strike.

94/9575 EXIT HARDWARE (STD.)



94/9575 EXIT HARDWARE (STD.)

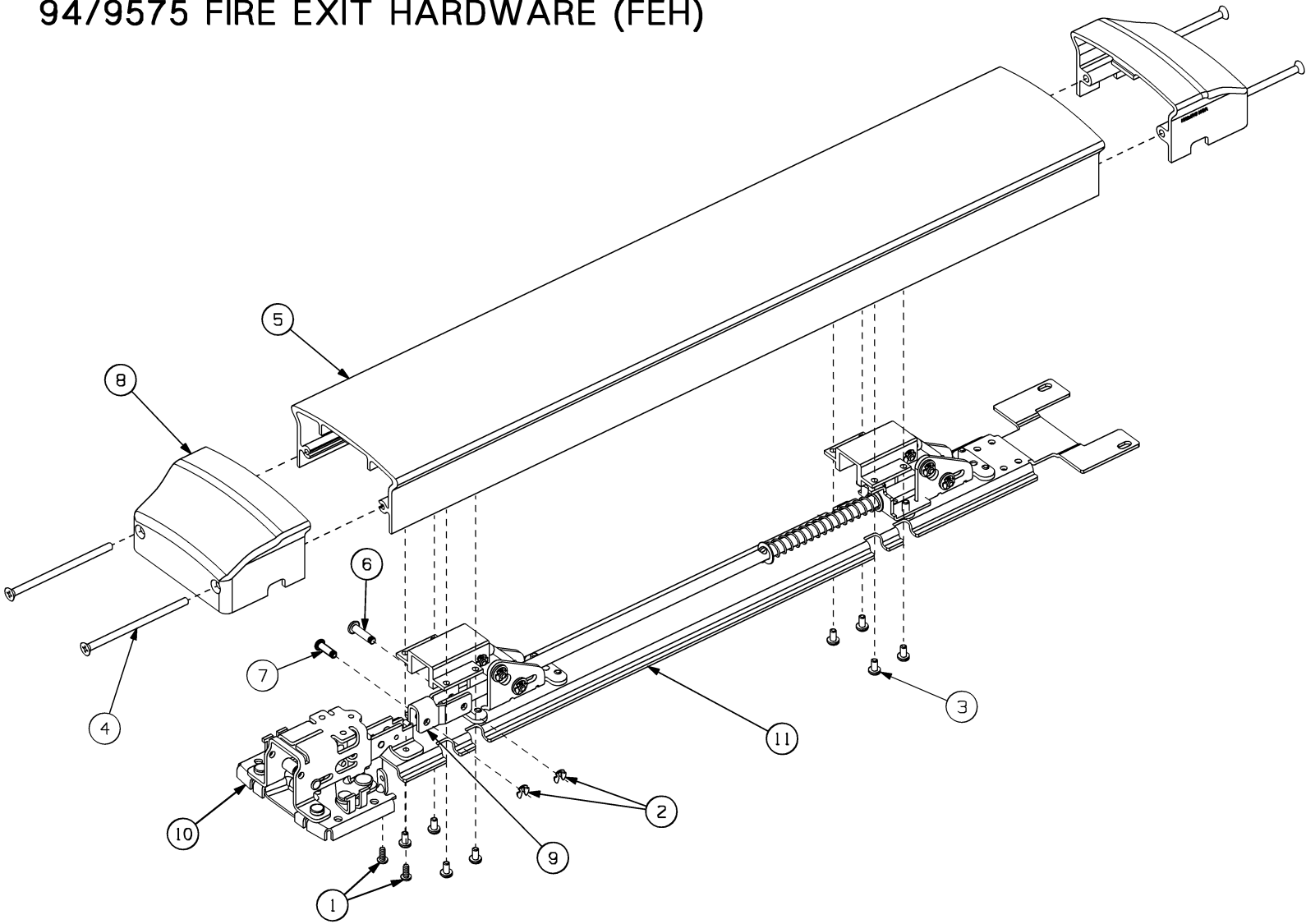
ITEM NO.	QTY	PART NO.	DESCRIPTION	FINISH
1	1	090085	227 Dog Key 5/32" Hex (Pack of 10)	
2	2	963712	8-32 X 3/8" PPHMS Thd. Forming	
3	2	964066	Retaining Ring	
4	8	964081	#8-32 X 5/16" PP Hd. Mach. Screw	
5	4	964501	#10-24 X 3 1/2" FP Hd. Machine Screw	X
6	1	971659	Dogging Clip	
7	1	971664	Dogging Clip Spring	
8	1	971706	Baseplate Link Pin	
9	1	971507	33/35 Control Link Pin	
10	1	971709	9547 Pushpad - Std. (Grooved) for US10,26	X
10	1	971710	9447 Pushpad - Std. (Smooth) for US3,26	X
10	1	971763	9547 Pushpad - Std. (Grooved) for US4,10,26D,28,313AN	X
10	1	971764	9447 Pushpad - Std. (Smooth) for US4,10,26D,28,313AN	X
11	2	971711	94/9547 End Cap (622 Std. Finish)	X
12	1	971712	Main Control Link	
13	1	BRKT.131	94/9547 Dogging Bracket Sub-Assembly	
14	1	CASE.107	94/9547 Center Case Assembly	
15	1	PLATE.111	94/9547 Baseplate Assembly - Std.	

X DESIGNATES FINISHED ITEMS AND FINISH MUST BE SPECIFIED WHEN ORDERING

NOTES:

- 1) THE SAME FINISH SHOULD BE SPECIFIED FOR ITEMS 5 & 11
- 2) ITEMS 13 & 15 ARE NOT FOR FIELD CONVERSIONS

94/9575 FIRE EXIT HARDWARE (FEH)



94/9575 FIRE EXIT HARDWARE (FEH)

ITEM NO.	QTY	PART NO.	DESCRIPTION	FINISH
1	2	963712	8-32 X 3/8" PPHMS Thd. Forming	
2	8	964066	Retaining Ring	
3	8	964081	#8-32 X 5/16" PP Hd. Mach. Screw	
4	4	964501	#10-24 X 3 1/2" FP Hd. Machine Screw	X
5	1	971655	9547 Pushpad - FEH (Grooved) for US3,26	X
5	1	971656	9447 Pushpad - FEH (Smooth) for US3,26	X
5	1	971765	9547 Pushpad - FEH (Grooved) for US4,10,26D,28,313AN	X
5	1	971766	9447 Pushpad - FEH (Smooth) for US4,10,26D,28,313AN	X
6	1	971706	Baseplate Link Pin	
7	1	971507	33/35 Control Link Pin	
8	2	971711	94/9547 End Cap (622 Std. Finish)	X
9	1	971712	Main Control Link	
10	1	CASE.107	94/9547 Center Case Assembly	
11	1	PLATE.117	94/9547 Baseplate Assembly - FEH	

X DESIGNATES FINISHED ITEMS AND FINISH MUST BE SPECIFIED WHEN ORDERING

NOTES:

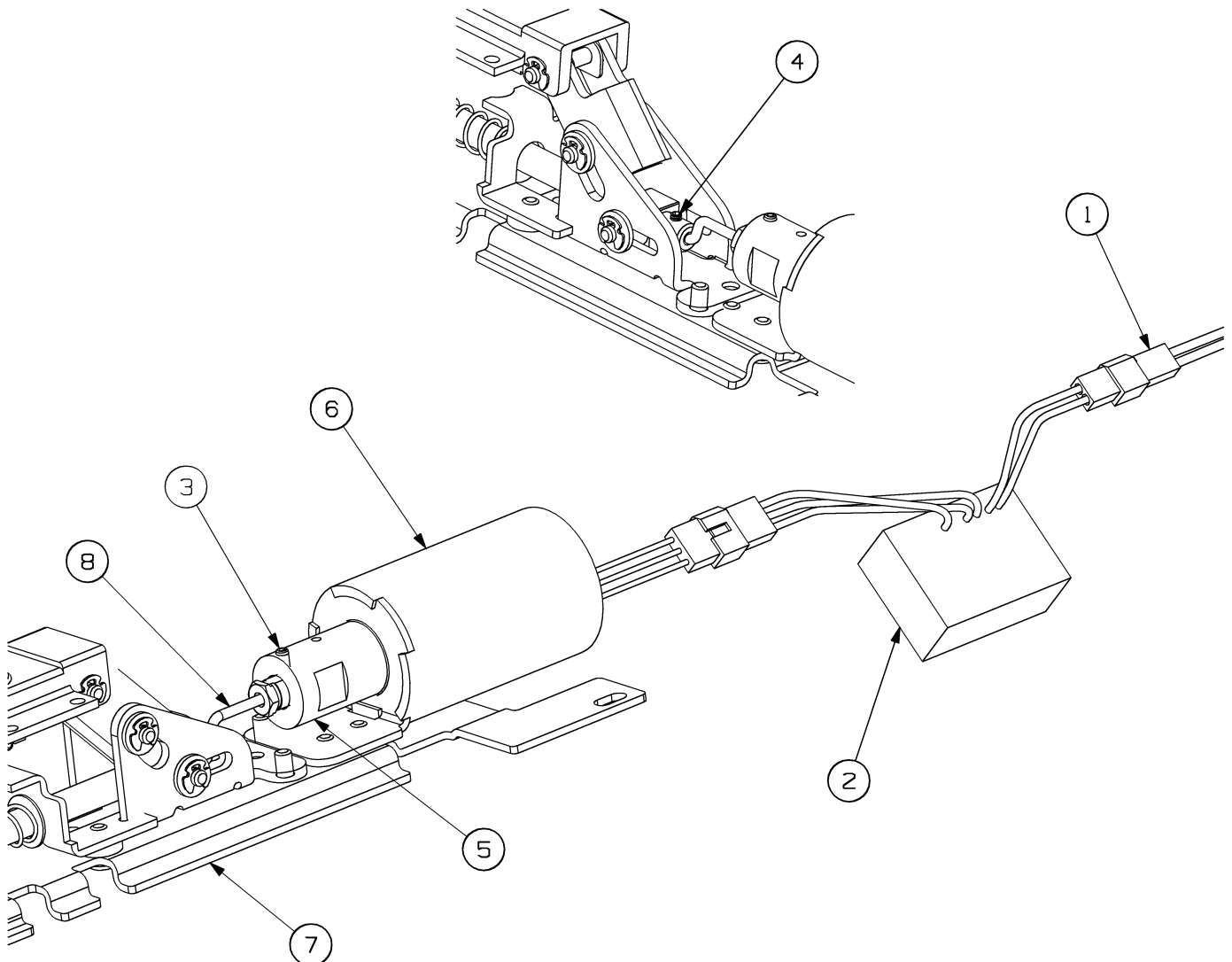
- 1) THE SAME FINISH SHOULD BE SPECIFIED FOR ITEMS 4 & 8
- 2) ITEM 11 IS NOT FOR FIELD CONVERSION

94/9575 – EL (STD. & FEH) ELECTRIC LATCH RETRACTION OPTION

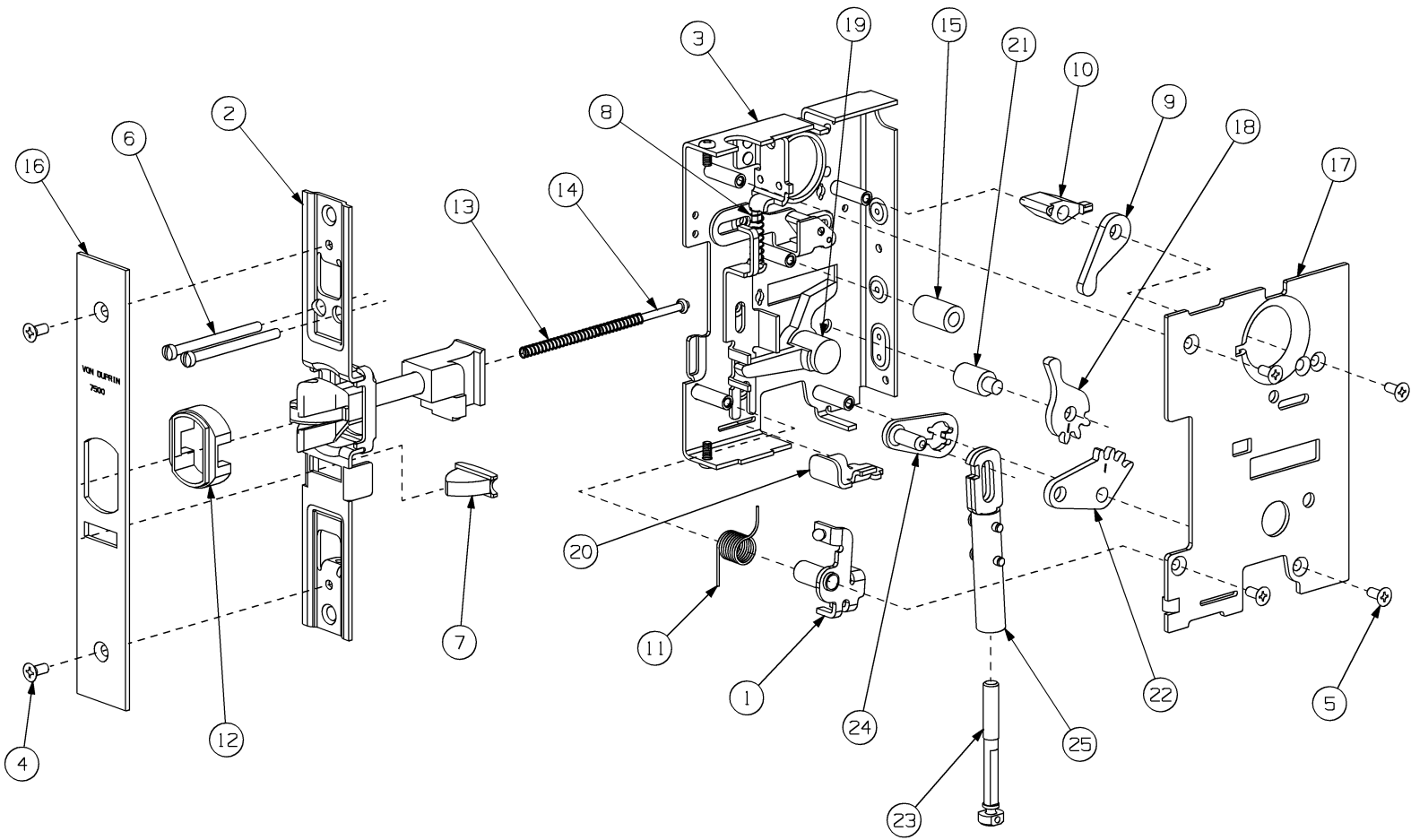
ITEM NO.	QTY	PART NO.	DESCRIPTION	FINISH
1	1	110388	EL 6' Cable and Connector	
2	1	110741	Potted Circuit Breaker (EL Solenoid)	
3	1	963764	#6-32 X 1/4" Soc. Set Screw	
4	1	964061	#4-40 x 3/16" Socket Set Screw	
5	1	971702	Solenoid Plunger	
6	1	971703	94/9547 EL Solenoid Assembly	
7	1	PLATE.118	94/9547 Std. Baseplate Assembly - EL	
7	1	PLATE.119	94/9547 FEH Baseplate Assembly - EL	
8	1	RODASY.124	94/9547 EL Dogging Rod Assembly	

X DESIGNATES FINISHED ITEMS AND FINISH MUST BE SPECIFIED WHEN ORDERING

NOTE: ITEM 7 IS NOT FOR FIELD CONVERSION



7500-IN MORTISE LOCK



7500-IN MORTISE LOCK

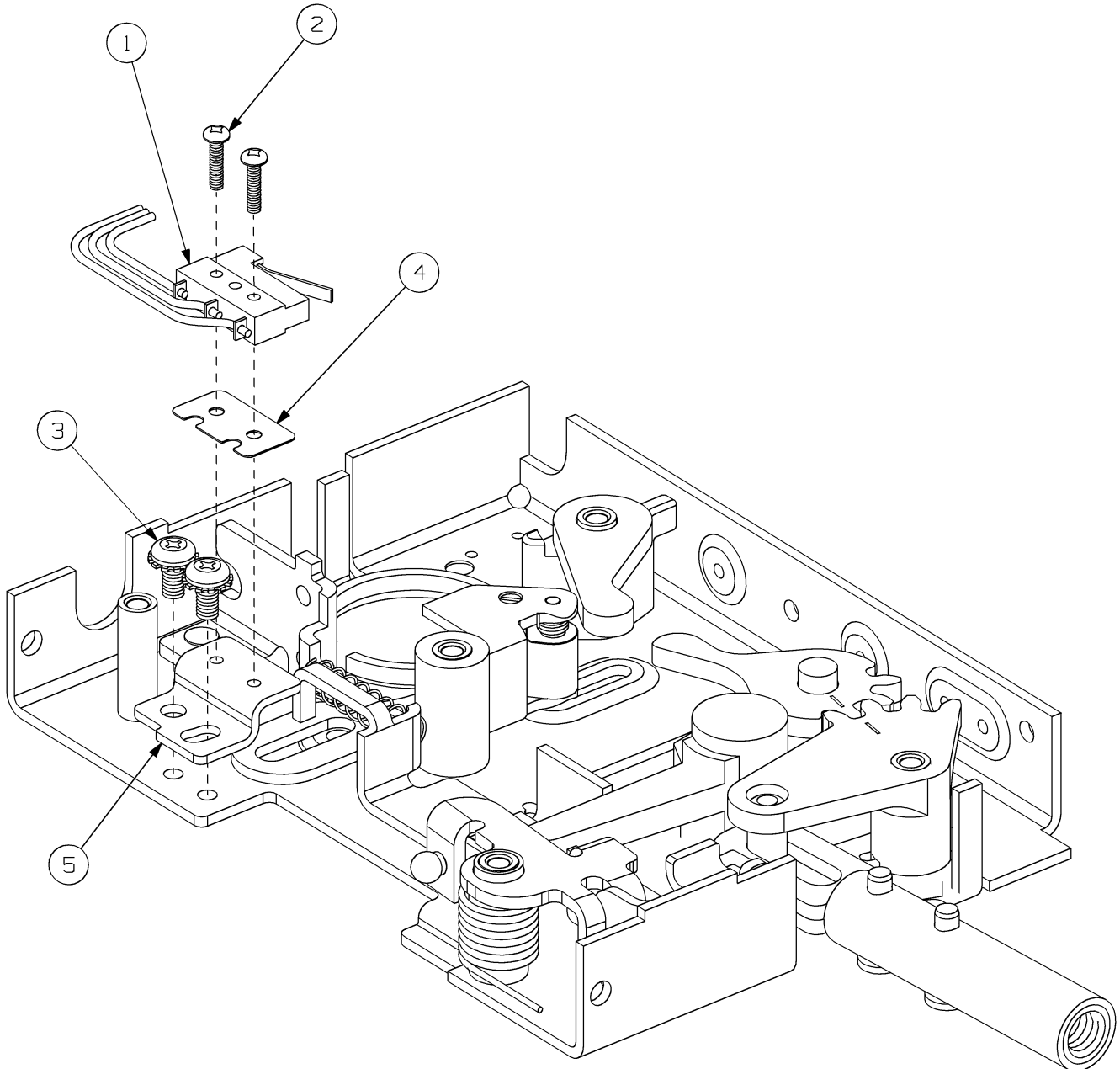
ITEM NO.	QTY	PART NO.	DESCRIPTION	FINISH
1	1	109347	7500 Aux. Bolt Link Sub-Assembly	
2	1	109773	7500 Latchbolt & Faceplate Sub-Assembly	
3	1	112032	7500 Latch Case Housing Sub-Assembly	
4	2	963080	#8 - 32 X 3/8" FP Hd. Machine Screw	X
5	4	963812	#8-32 X 3/8" Undrct. Flat Ph. Hd. Mach. Screw	
6	2	963954	7500 Cyl. Set - 8-32 X 2" Fill SHMS	
7	1	968668	7500 Auxiliary Bolt	
8	1	968748	7500 Deadlocking Spring	
9	1	968761	7500 Trim Bolt Retractor	
10	1	968762	7500 Trim Lock Actuator	
11	1	968935	7500 Auxiliary Bolt Spring	
12	1	968939	7500 Latchbolt Collar	
13	1	969089	7500 Latch Return Spring	
14	1	969610	7500 Latch Return Spring Guide	
15	1	970735	7500 Stem Support	
16	1	968766	7500 Scalp Plate - US32, US32D	X
16	1	970872	7500 Scalp Plate - US3, US4, US10B	X
16	1	970873	7500 Scalp Plate - US10	X
17	1	971822	7500 Housing Cover	
18	1	971823	Gear Follower	
19	1	971824	Slider Arm	
20	1	971825	Slider Bracket	
21	1	971826	Gear Follower Post	
22	1	971827	Gear Driver	
23	1	971832	Rod Connector	
24	1	971833	Mortise Gear Bracket	
25	1	RECEIVER.101	Rod Receiver Assembly	

X DESIGNATES FINISHED ITEMS AND FINISH MUST BE SPECIFIED WHEN ORDERING

SS7500-IN MORTISE LOCK

ITEM NO.	QTY	PART NO.	DESCRIPTION	FINISH
1	1	109658	Switch Wiring Assembly (R/Y/B Wires)	
2	2	964269	#2-56 x 3/8" PPHMS	
3	2	964367	#6-32 x 1/4" PPHMS w/#6 Lockwasher	
4	1	968770	Switch Insulator	
5	1	970859	Switch Bracket	

X DESIGNATES FINISHED ITEMS AND FINISH MUST BE SPECIFIED WHEN ORDERING



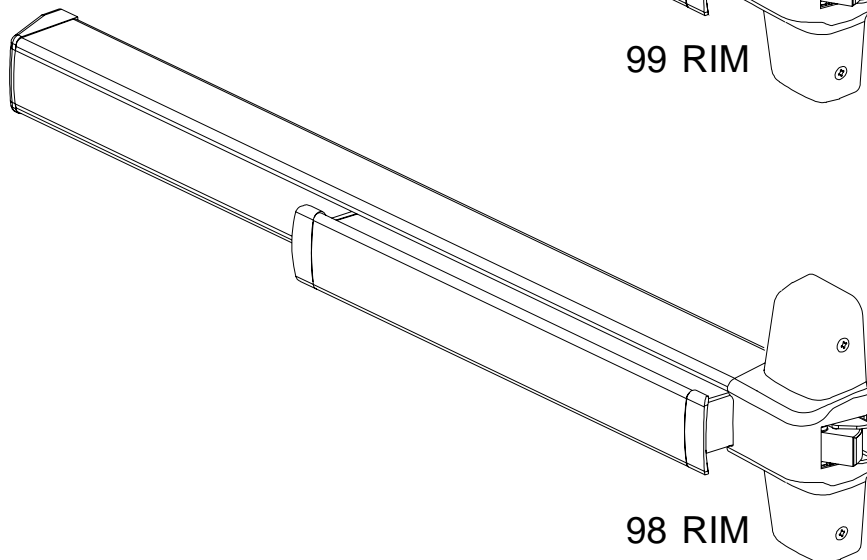
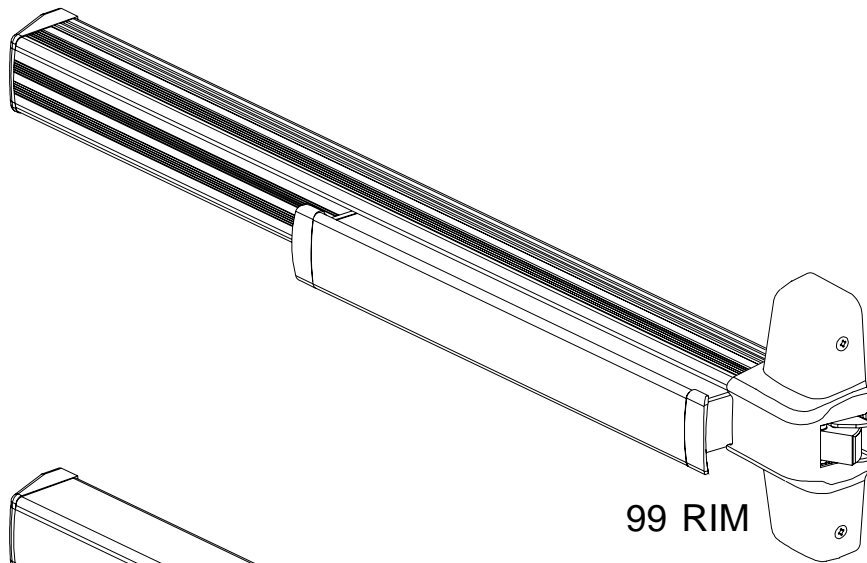
Note: Use all parts on 7500-IN Mortise Lock (Page 9) plus the items on this page.

VON DUPRIN®

PARTS MANUAL

JUNE 2005

98/99 SERIES RIM EXIT DEVICES



PM9899_C
VD-GN-1029

IR Security & Safety
Proven Source. Proven Solutions.™

Copyright © 2005 Ingersoll-Rand. All rights reserved.

INDEX

98/99 Rim Devices	
Basic Panic Device	4-5
Basic Fire Device	6-7
Baseplate Assemblies	8
Center Case Assembly	9
Variations of the Basic Device	
CD (Cylinder Dogging)	4-5
98/99-2 Double Cylinder	10
E98/99 Electric Locking	11
HD-EL (Hex Dogging/Electric Latch Retraction)	12
EL (Electric Latch Retraction)	13
SS (Signal Switch)	13
RX (Request to Exit)	14-15
LX (Latch Bolt Monitoring)	14-15
CX Chexit	16
CX-CD/SD	17
ALK Exit Alarm Kit	18
Service Replacement Items	19-20
General Information	
Introduction	2
How to Order	2
Part Number Changes	2
Finishes	3
Outside Trim Functions	3
Strikes	3

INTRODUCTION

This manual contains a listing of replaceable parts and assemblies for the 98/99 Rim Exit Hardware Devices. 98 Series and 99 Series devices are almost identical. The 99 Series has a grooved case; the 98 Series has a smooth case.

HOW TO ORDER

Some parts are sold separately. Other items are available as part of a kit or multiple quantity package. For the best possible service when ordering replacement parts or assemblies, please provide the following information:

- Part number or assembly number
- Description
- Quantity needed
- Finish desired (if available finished)
- Date of original purchase (if known)

To find out the name of your local Von Duprin distributor or sales representative, contact:

Von Duprin Division
Ingersoll-Rand Company
2720 Tobey Drive
Indianapolis, Indiana 46219
Phone: (800) 999-0408
Fax: (800) 999-0328
Website: www.vonduprin.com

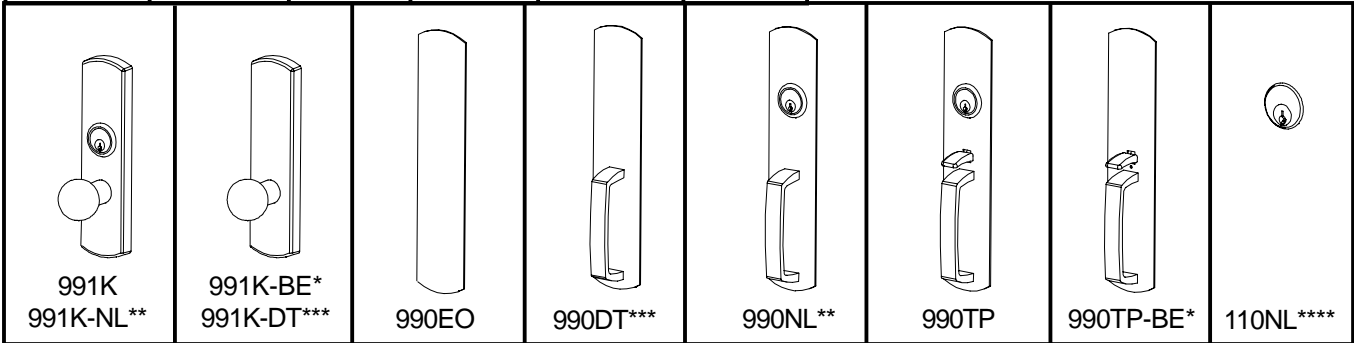
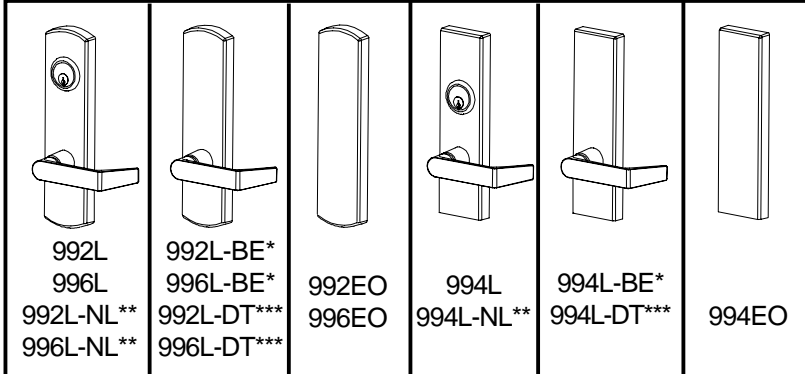
PART NUMBER CHANGES

This manual reflects the product as sold in June 2005. Because of changes to the product and/or manufacturing process, part numbers can change.

98/99 SERIES FINISHES

OUTSIDE TRIM FUNCTIONS

U.S. Std Reference	BHMA Reference	Description
US3	605	Polished Brass
US4	606	Dull Brass
US10	612	Dull Bronze
US15	619	Satin Nickel
US26	625	Polished Chrome
US26D	626	Dull Chrome
US28	628	Anodized Alum. (Clear)
US32D	630	Satin Stainless Steel
313AN	710	Anodized Alum. (313) Dark Bronze
315AN	711	Anodized Alum. (Black)



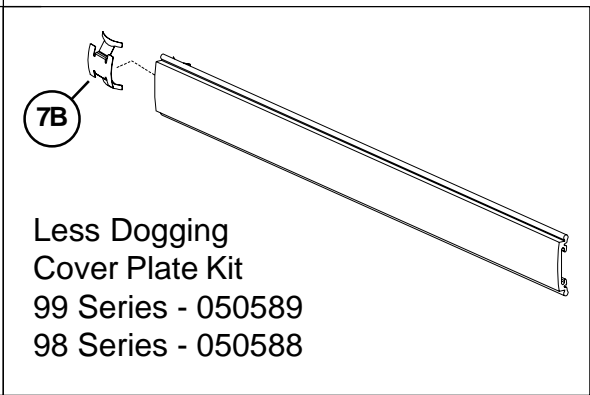
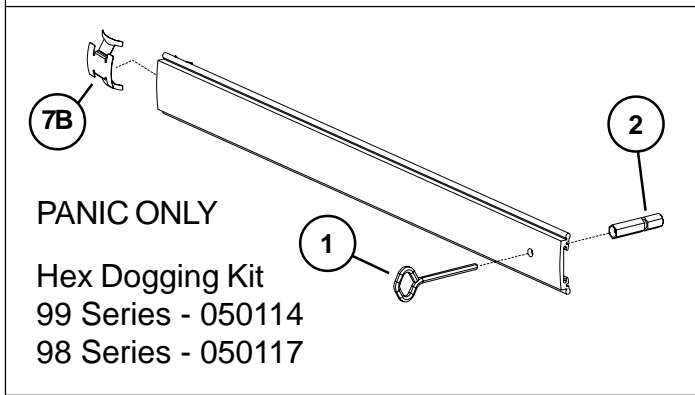
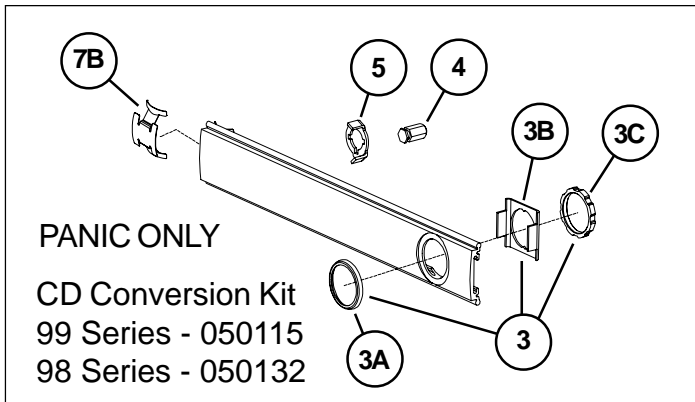
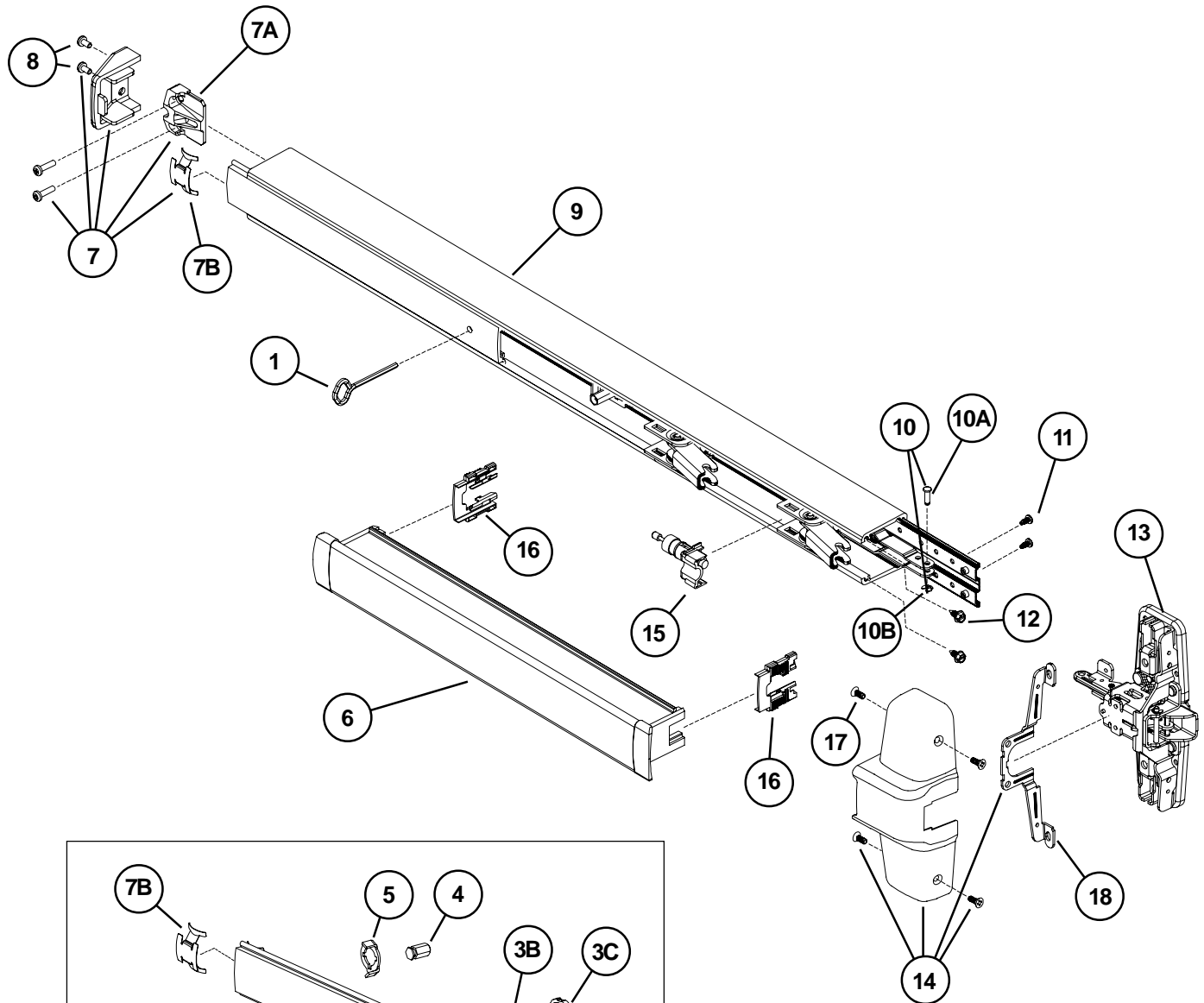
- * "BE" (Blank Escutcheon) no cylinder used - lever always active
- ** "NL" (Night Latch) rigid lever - key retracts latch bolt
- *** "DT" (Dummy Trim) rigid lever for pull operation
- **** Optional Pull needs to be added

- ① Metal Door Screw Package PKGSRV.1023 (Pkg of 10)
- ① Wood Door Screw 964291 (Qty of 1)

STRIKES

<p>Adjusting Shim 970321</p> <p>Strike Plate 970323</p> <p>299 Strike - Standard Single or Double Door Panic Exit Hardware</p>	<p>Adjusting Shim 945521</p> <p>299F Strike - Single Door Fire Exit Hardware</p>	<p>Adjusting Shim 945521</p> <p>264 Strike - Single Door Panic Exit Hardware</p>	<p>Adjusting Shim 945521</p> <p>Strike Hook 969300</p> <p>499F Strike - Double Door w/Mullion Fire Exit Hardware</p>	<p>1609 Strike - Double Door Rim/Vertical Rod Combination (Consult Factory)</p>
<p>Wear plate 960012</p> <p>Rivets 963074</p> <p>Screw Pkg 900254</p> <p>1410 Strike - Single Door Integral Stop Panic Exit Hardware</p>	<p>Adjusting Shim 961084</p> <p>Screw Pkg 900263</p> <p>1606 Strike - Single or Double Door Panic Exit Hardware</p>	<p>Adjusting block 971995</p> <p>Wear plate 971998</p> <p>Drive nuts 4299101022</p> <p>1439 Strike - Single door Panic Exit Hardware</p>	<p>Screw Pkg 900253</p> <p>1408 Strike - Double Door Used on 5754 Mullions Panic Exit Hardware</p>	

98/99 RIM PANIC DEVICE



98/99 RIM PANIC DEVICE

Item No.	Quantity	Part No.	Description	Finish
	1	900561	98/99 Series Mounting Pkg. (1-3/4 & 2-1/4)	
1	1	090085	227 Dog Key 5/32" Hex (Pkg of 10)	
1	1	090005	227 Dog Key 5/32" Hex (Pkg of 2)	
2	1	090040	Hex Dog Shaft (Pkg of 2)	
3	1	107813	Cylinder Mounting Pkg	X
3A	1	050525	Cylinder Collar	X
3B	1	050490	Cylinder Locating Washer - CD/SS	
3C	1	050526	Cylinder Locknut	
4	1	090046	CD Dogging Plug (Pkg of 2)	
5	1	090045	CD Actuator Arm (Pkg of 2)	
6	1	*PBKIT	98/99 Series Push Bar Retrofit Kit - 3' Door	X
6	1	*PBKIT	98/99 Series Push Bar Retrofit Kit - 4' Door	X
7	1	050014	98/99 Series End Cap Kit	X
7A	1	050524	Impact Resistant End Cap Bracket	
7B	1	090036	Cover Plate Anti-rattle Spring (Pkg of 10)	
8	1	900597	Device End Cap and C/Case Screw Pkg.	X
9	1	968144	99 Series Mechanism Case - 3' Door	X
9	1	968146	99 Series Mechanism Case - 4' Door	X
9	1	970191	98 Series Mechanism Case - 3' Door	X
9	1	970192	98 Series Mechanism Case - 4' Door	X
10	1	050529	98/99 Series Control Link Pin & Ret. Ring	
10A	1	090031	98/99 Series Control Link Pin (Pkg of 10)	
10B	1	090107	Retaining Ring (Pkg of 10)	
11	2	090037	#8-32 x 3/8" Baseplate Screw (Pkg of 10)	
12	2	090073	Mechanism Case Bracket Screw (Pkg of 10)	
13***	1	050020	98/99 Rim Center Case Less Cover	
14**	1	050071	98/99 Rim Center Case Cover Kit	X
15	1	050491	Shock Absorber & Holder Assembly	
16	2	090049	Push Bar Guide (Pkg of 10)	
17	4	900892	Center Case Cover Screws (Pkg of 4)	X
18	1	050564	Center Case Cover Bracket	

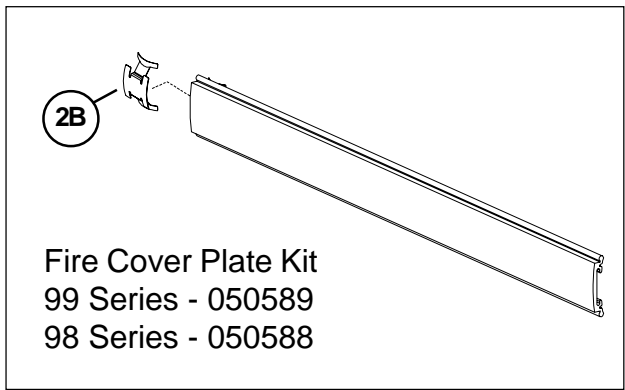
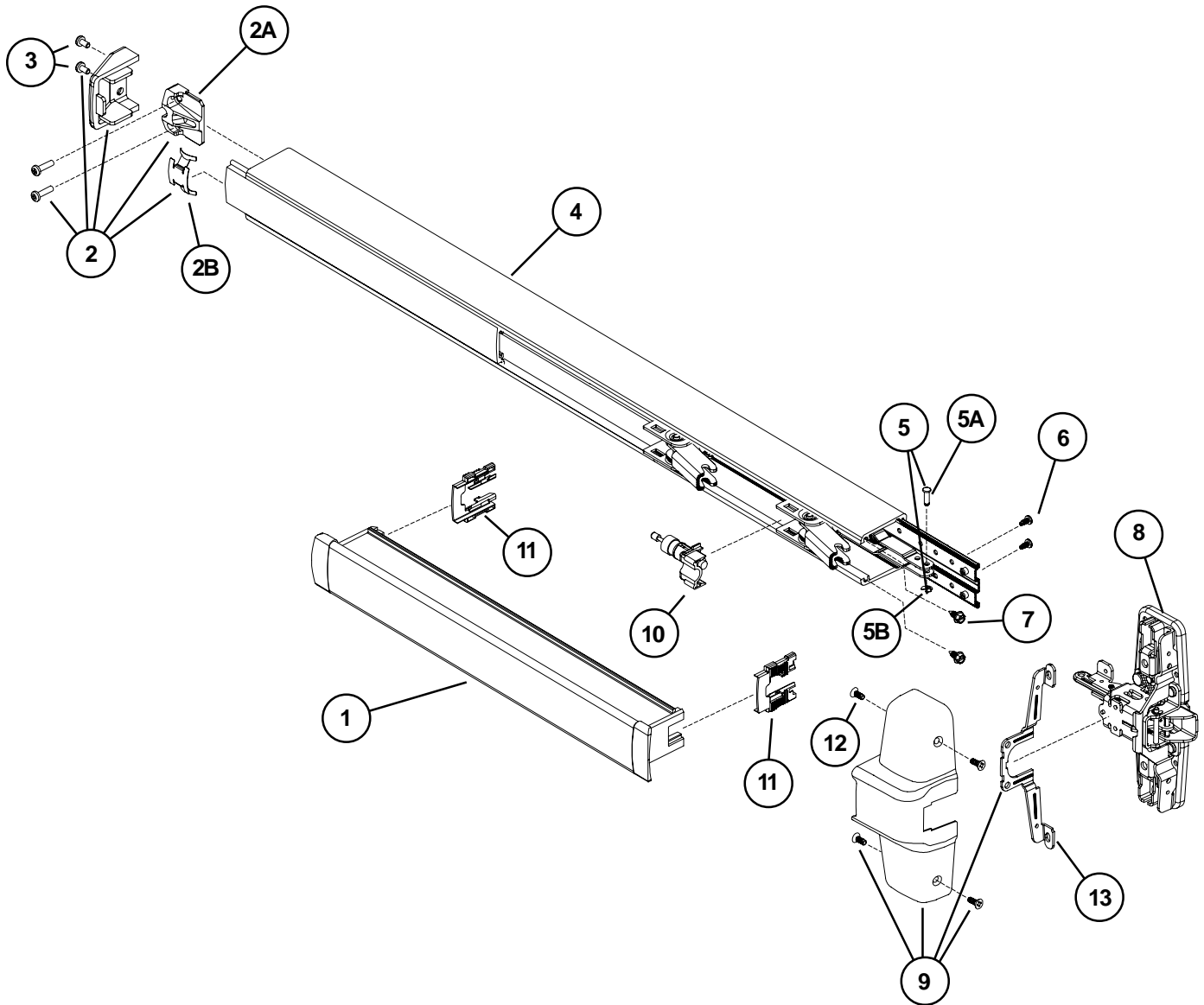
X in "Finish" column designates finished items; finish must be specified when ordering.

* To order, specify device type, size, and finish. Example: PBKIT 98 3' US28

**Includes parts for three piece cover conversion

***Center case assembly parts shown on page 9.

98/99-F FIRE DEVICE



98/99-F FIRE DEVICE

Item No.	Quantity	Part No.	Description	Finish
	1	900561	98/99 Series Mounting Pkg. (1-3/4 & 2-1/4)	
1	1	*PBKIT	98/99 Series Push Bar Retrofit Kit - 3' Door	X
1	1	*PBKIT	98/99 Series Push Bar Retrofit Kit - 4' Door	X
2	1	050014	98/99 Series End Cap Kit	X
2A	1	050524	Impact Resistant End Cap Bracket	
2B	1	090036	Cover Plate Anti-rattle Spring (Pkg of 10)	
3	1	900597	Device End Cap and C/Case Screw Pkg.	X
4	1	968144	99 Series Mechanism Case - 3' Door	X
4	1	968146	99 Series Mechanism Case - 4' Door	X
4	1	970191	98 Series Mechanism Case - 3' Door	X
4	1	970192	98 Series Mechanism Case - 4' Door	X
5	1	050529	98/99 Series Control Link Pin & Ret. Ring	
5A	1	090031	98/99 Series Control Link Pin (Pkg of 10)	
5B	1	090107	Retaining Ring (Pkg of 10)	
6	2	090037	#8-32 x 3/8" Baseplate Screw (Pkg of 10)	
7	2	090073	Mechanism Case Bracket Screw (Pkg of 10)	
8***	1	050026	98/99-F Rim Center Case Less Cover	
9**	1	050071	98/99 Rim Center Case Cover Kit	X
10	1	050491	Shock Absorber & Holder Assembly	
11	2	090049	Push Bar Guide (Pkg of 10)	
12	4	900892	Center Case Cover Screws (Pkg of 4)	X
13	1	050564	Center Case Cover Bracket	

X in "Finish" column designates finished items; finish must be specified when ordering.

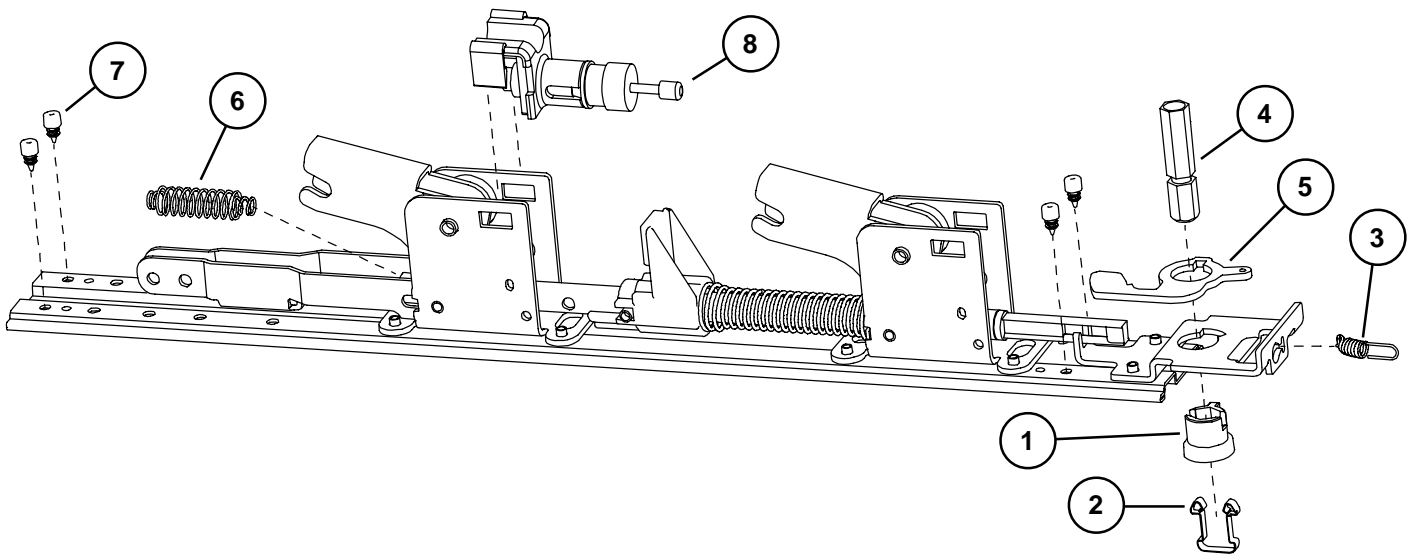
* To order, specify device type, size, and finish. Example: PBKIT 98 3' US28

**Includes parts for three piece cover conversion

***Center case assembly parts shown on page 9.

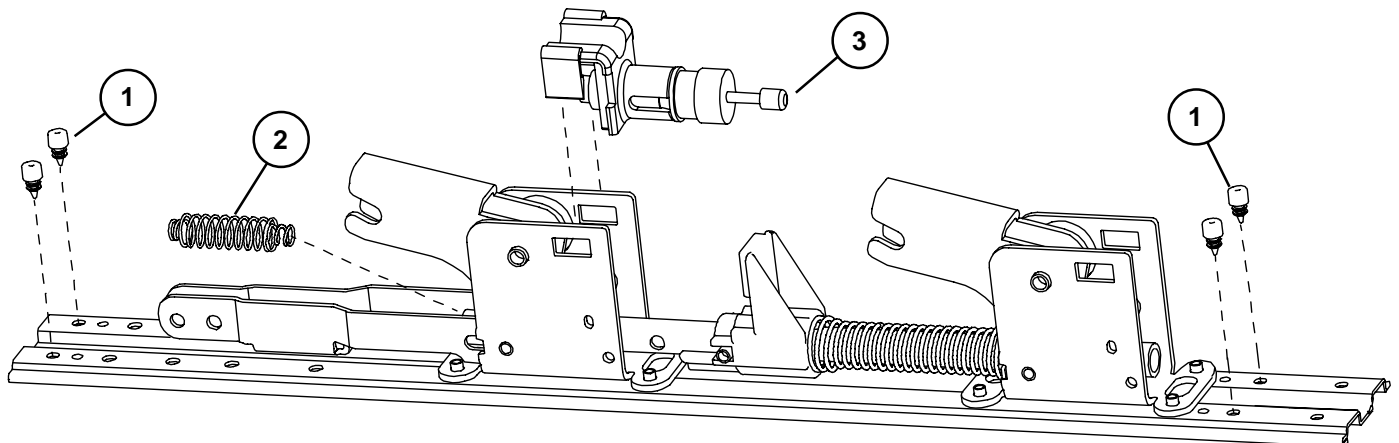
98/99 RIM PANIC DEVICE BASEPLATE ASSEMBLY

Item No.	Quantity	Part No.	Description	Finish
1	1	090043	Dogging adapter (Pkg of 2)	
2	1	090042	Dogging adapter spring (Pkg of 2)	
3	1	090041	Dogging spring (Pkg of 2)	
4	1	090040	Hex dogging shaft (Pkg of 2)	
5	1	090044	Dogging hook (Pkg of 2)	
6	1	090039	Latch return spring (Pkg of 10)	
7	4	090038	Rubber bumper (Pkg of 4)	
8	1	050491	Shock absorber	



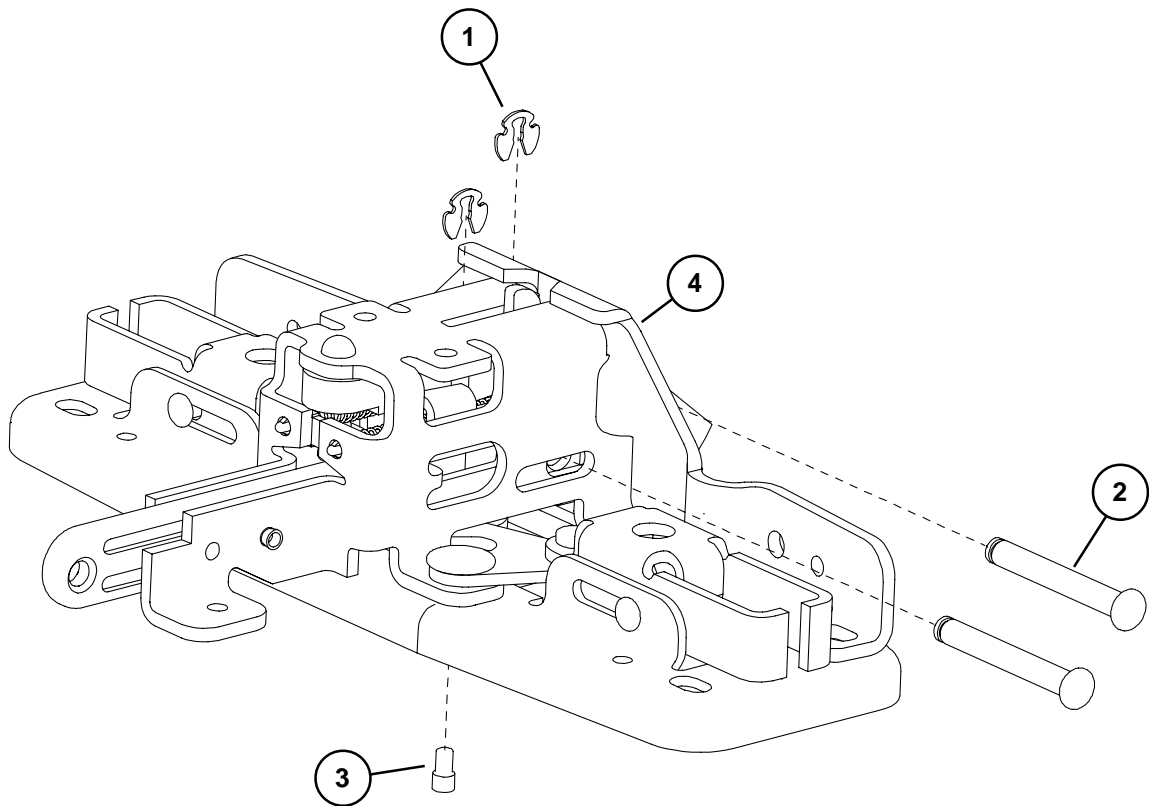
98/99-F FIRE DEVICE BASEPLATE ASSEMBLY

Item No.	Quantity	Part No.	Description	Finish
1	4	090038	Rubber bumper (Pkg of 4)	
2	1	090039	Latch return spring (Pkg of 10)	
3	1	050491	Shock absorber	



98/99 PANIC & 98/99-F FIRE DEVICE CENTER CASE ASSEMBLY

Item No.	Quantity	Part No.	Description	Finish
1	2	090107	Retaining Ring (Pkg of 10)	
2	2	090079	Latch Bolt Pin (Pkg of 10)	
3	1	090074	NL Drive Screw (Pkg of 10)	
4	1	050565	Center Case Reinforcing Bracket	



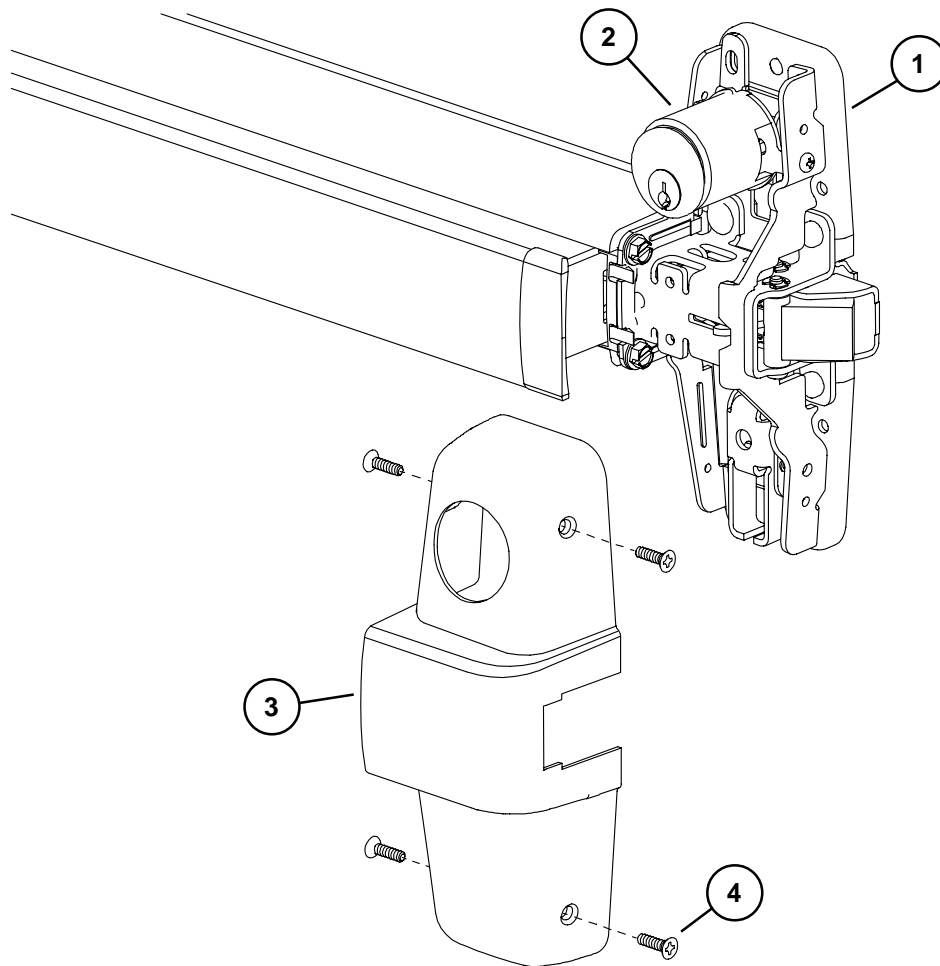
98/99-2 & 98/99-F-2 DOUBLE CYLINDER OPTION

Item No.	Quantity	Part No.	Description	Finish
1*	1	050024	98/99-2 RHR Center Case Less Cover	
1*	1	050025	98/99-2 LHR Center Case Less Cover	
1*	1	050027	98/99-F-2 RHR Center Case Less Cover	
1*	1	050028	98/99-F-2 LHR Center Case Less Cover	
2	1	113098	98/99 Rim Double Cyl. Adapter Assembly -LHR	
2	1	113099	98/99 Rim Double Cyl. Adapter Assembly -RHR	
3**	1	050555	98/99-2/SD RHR Center Case Cover Kit	X
3**	1	050556	98/99-2/SD LHR Center Case Cover Kit	X
4	4	900892	Center Case Cover Screws (Pkg of 4)	X
***	1	050388	98/99-2 Conversion Kit RHR	X
***	1	050389	98/99-2 Conversion Kit LHR	X

*Parts shown are for the double cylinder option. For other available center case parts refer to page 9.

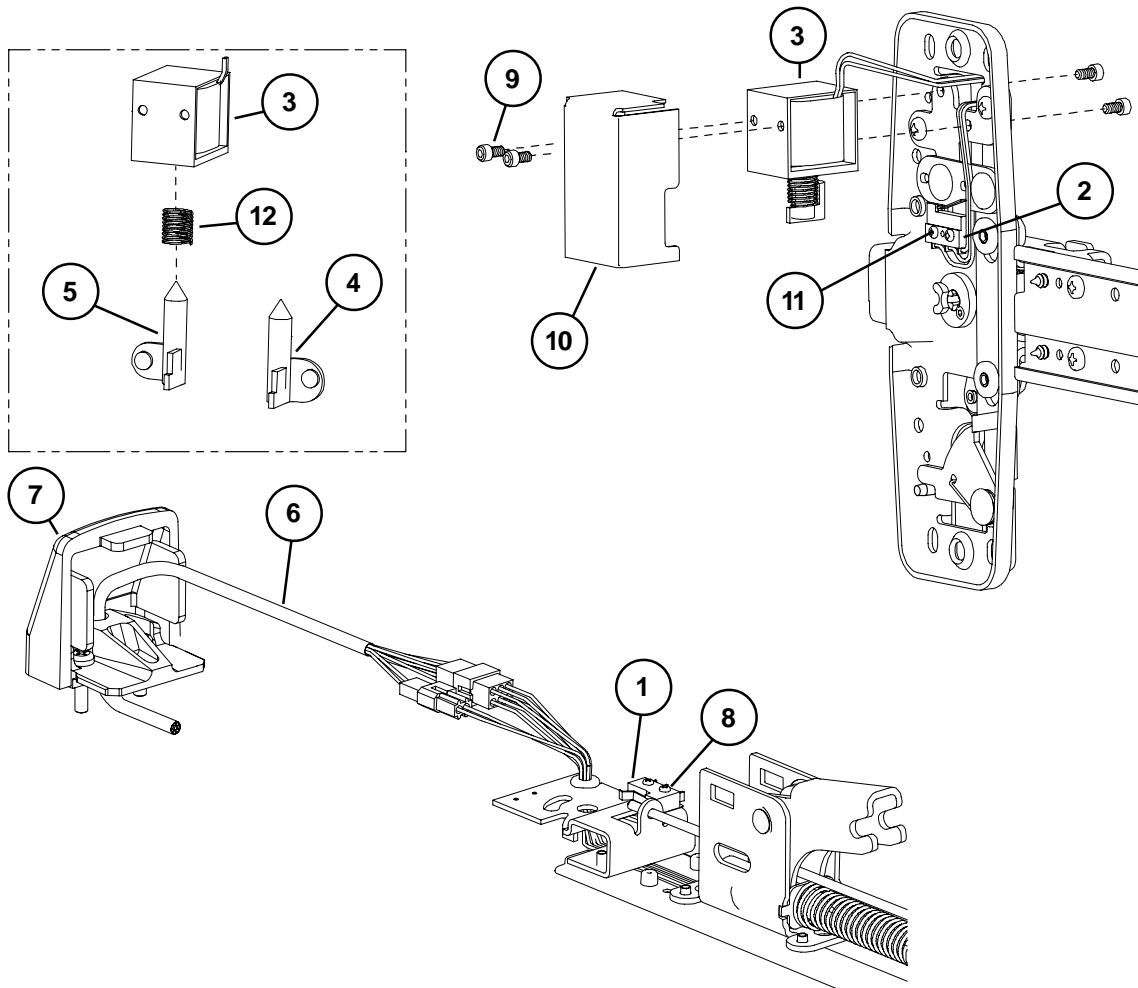
**Includes parts for three piece cover conversion.

***Kit includes items 1-4.



E98/99 & E98/99-F (ELECTRIC LOCKING) OPTION

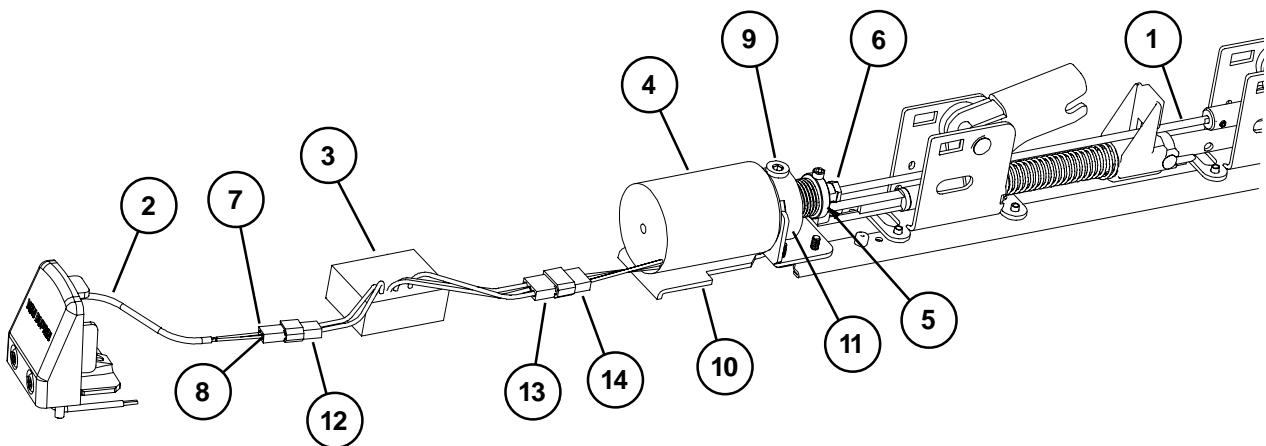
Item No.	Quantity	Part No.	Description	Finish
1	1	106224	E98/99 Rim Subminiature Switch Assembly (R,Y,B)	
2	1	968938	Subminiature Switch	
3	1	110389	E98/99 Rim Solenoid	
4	1	110392	E98/99 Solenoid Plunger - FSE RHR	
4	1	110390	E98/99 Solenoid Plunger - FSE LHR	
5	1	110393	E98/99 Solenoid Plunger - FS RHR	
5	1	110391	E98/99 Solenoid Plunger - FS LHR	
6	1	110867	E98/99 Rim Signal Cable	
7	1	050014	98/99 Series End Cap Kit	X
8	2	964269	2-56 x 3/8" PPHMS Subminiature Switch Screws	
9	4	963761	6-32 x 1/4" Socket Cap Solenoid Cover Screws	
10	1	969605	Solenoid Cover	
11	2	964000	2-56 x 3/4" PPHMS Subminiature Switch Screws	
12	1	969606	Solenoid Spring	



HD-EL98/HD-EL99 HEX DOGGING/ELECTRIC LATCH RETRACTION OPTION - PANIC DEVICE ONLY

Item No.	Quantity	Part No.	Description	Finish
1	1	050531	EL Dogging Rod Kit - 3' Device	
1	1	050532	EL Dogging Rod Kit - 4' Device	
2	1	110388	EL 6' Cable and Connector	
3	1	050534	EL Potted Circuit Breaker	
4	1	050536	HD-EL Solenoid	
5	1	050537	HD-EL Solenoid Plunger	
6	1	050538	EL Dogging Rod Retainer	
7	1	050539	EL Receptacle Connector - 2 Position	
8	2	050540	EL Female Terminal	
9	1	050541	HD-EL Dog Screw	
10	1	050542	HD-EL Solenoid Bracket	
11	1	050543	HD-EL Dogging Spring	
12	1	990599	EL Plug Connector - 2 Position	
13	1	990857	EL Receptacle Connector - 3 Position	
14	1	990858	EL Plug Connector - 3 Position	
*	1	050384	HD-EL Conversion Kit - 3'	
*	1	050385	HD-EL Conversion Kit - 4'	

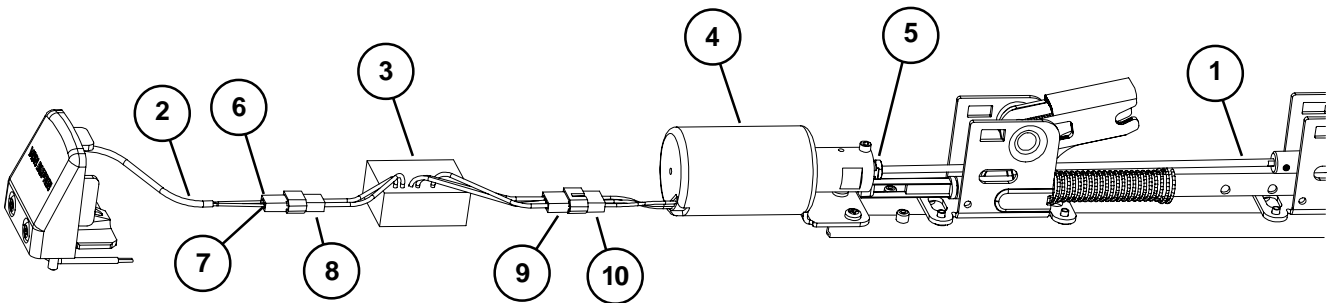
*Kit includes items 1-11 plus new control link, retaining ring, and baseplate screws.



EL98/EL99 SERIES ELECTRIC LATCH RETRACTION OPTION

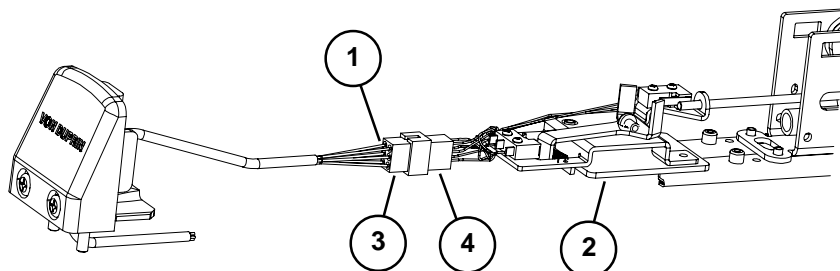
Item No.	Quantity	Part No.	Description	Finish
1	1	050531	EL Dogging Rod Kit - 3' device	
1	1	050532	EL Dogging Rod Kit - 4' device	
2	1	110388	EL 6' Cable and Connector	
3	1	050534	EL Potted Circuit Breaker	
4	1	050535	EL Solenoid Assembly	
5	1	050538	EL Dogging Rod Retainer	
6	1	050539	EL Receptacle Connector	
7	2	050540	EL Female Terminal	
8	1	990599	EL Plug Connector - 2 Position	
9	1	990857	EL Receptacle Connector - 3 Position	
10	1	990858	EL Plug Connector - 3 Position	
*	1	050070	EL Conversion Kit - 3'	
*	1	050078	EL Conversion Kit - 4'	

*Kit includes items 1-7 plus new control link pin, retaining ring, and baseplate screws.

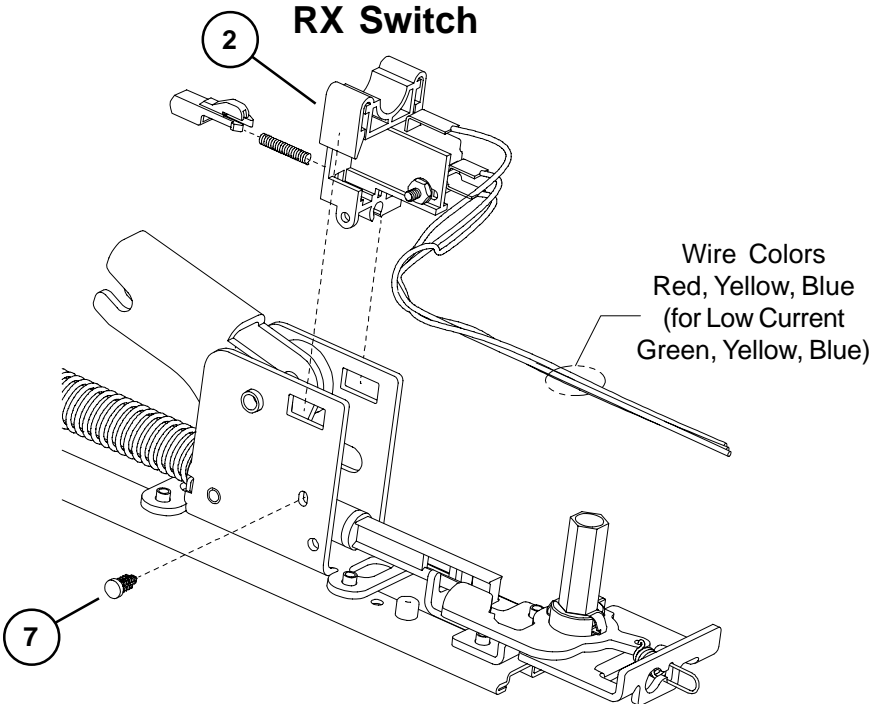
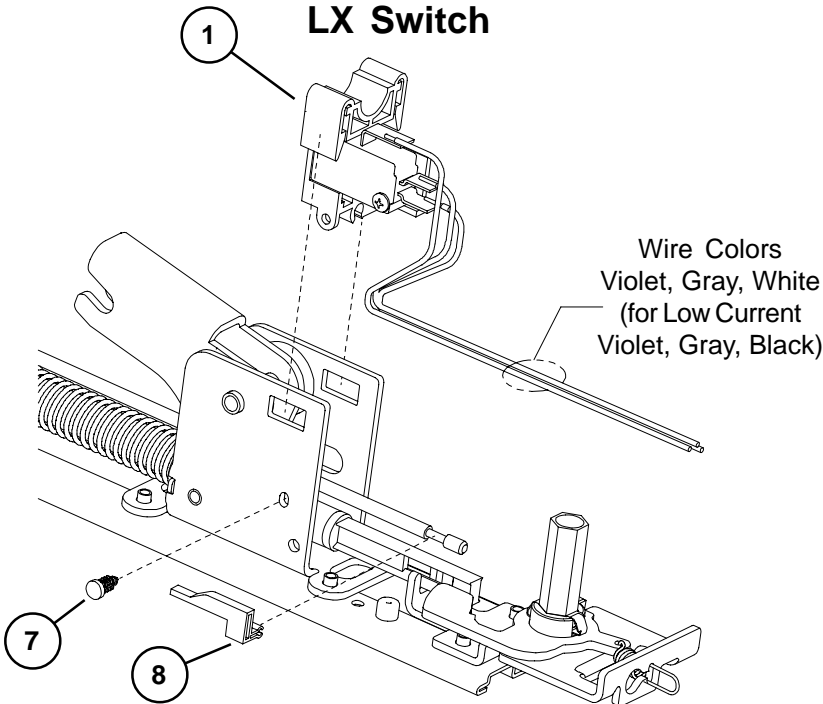


SS98/SS99 SERIES (SIGNAL SWITCH) OPTION

Item No.	Quantity	Part No.	Description	Finish
1	1	050544	SS Cable	
2	1	050545	SS Housing	
3	1	990601	SS Plug Connector - 6 Position	
4	1	990602	SS Receptacle Connector - 6 Position	

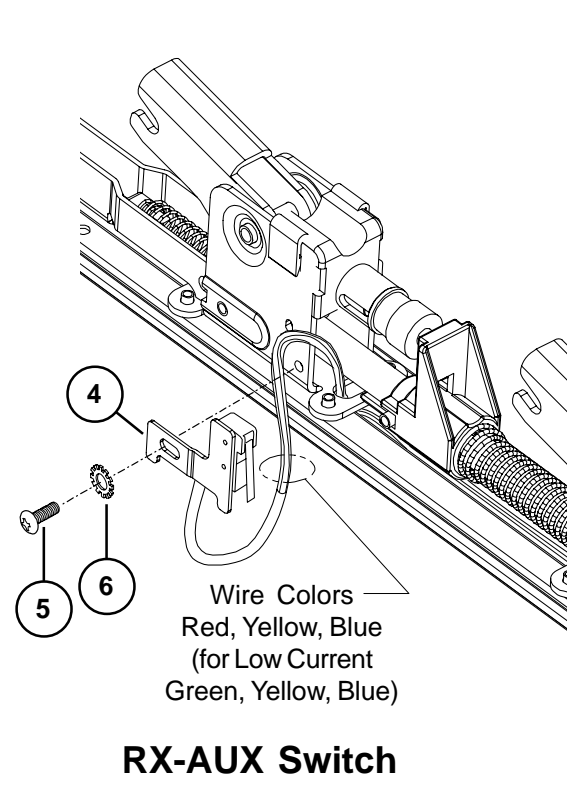
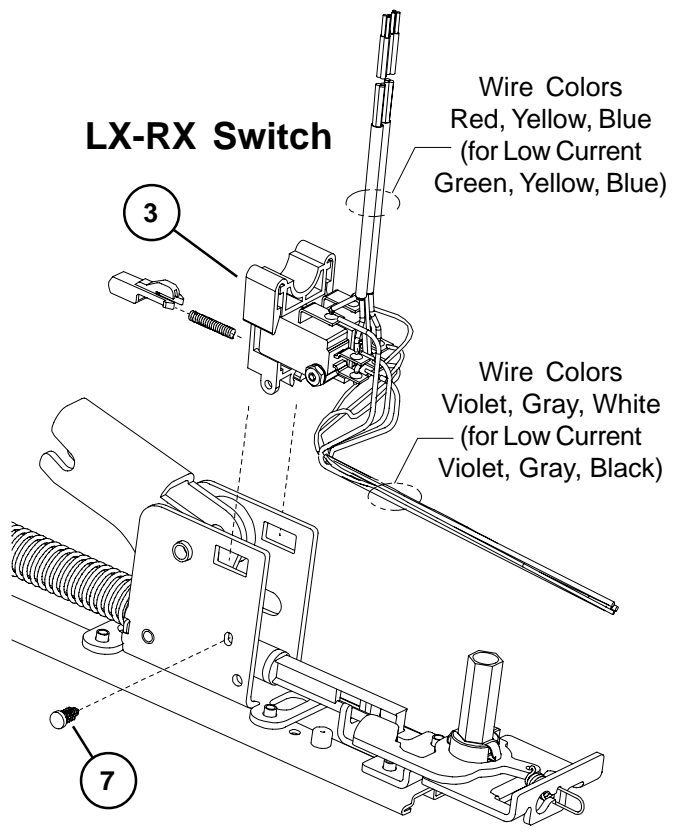


98/99 SERIES LX (LATCH BOLT MONITOR) & RX (REQUEST TO EXIT) OPTIONS



98/99 SERIES LX (LATCH BOLT MONITOR) & RX (REQUEST TO EXIT) OPTIONS

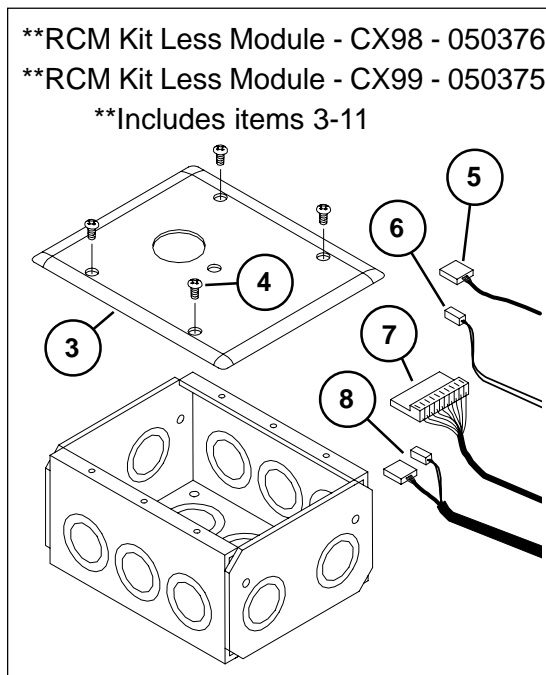
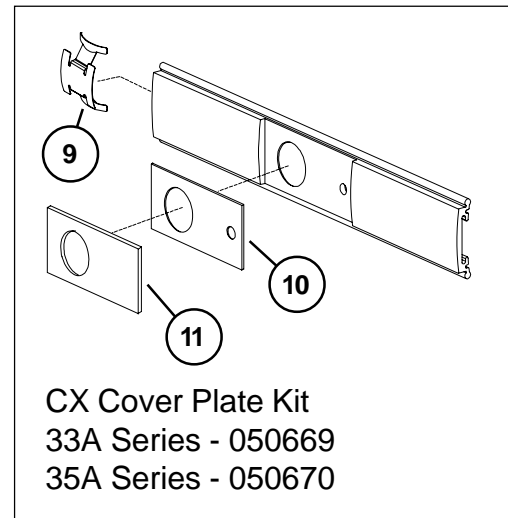
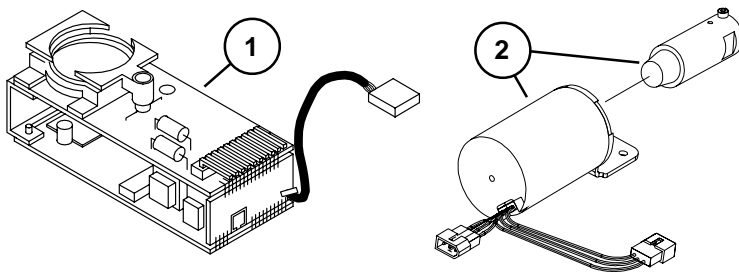
Item No.	Quantity	Part No.	Description	Finish
1	1	050254	LX Switch Kit 3' Device	
1	1	050255	LX Switch Kit 4' Device	
1	1	050247	LX-EL Switch Kit	
1	1	050283	LX-LC (Low Current) Switch Kit 3' Device	
1	1	050285	LX-LC (Low Current) Switch Kit 4' Device	
1	1	050287	LX-LC-EL (Low Current) Switch Kit	
2	1	050251	RX Switch Kit	
2	1	050281	RX-LC (Low Current) Switch Kit	
3	1	050256	LX-RX Switch Kit 3' Device	
3	1	050257	LX-RX Switch Kit 4' Device	
3	1	050259	LX-RX-EL Switch Kit	
3	1	050289	LX-RX-LC (Low Current) Sw. Kit 3' Device	
3	1	050291	LX-RX-LC (Low Current) Sw. Kit 4' Device	
3	1	050293	LX-RX-LC-EL (Low Current) Switch Kit	
2 & 4	1	050270	RX-2 Switch Kit	
4	1	050271	RX-AUX Switch Kit	
5	1	964558	8-32 x 5/16" PPHMS	
6	1	964019	#8 Washer	
7	1	090099	Pine Tree Clip (Pkg of 10)	
8	1	971091	LX Actuator	



CX98/99 SERIES CHEXIT AND CX-RCM OPTION

Item No.	Quantity	Part No.	Description	Finish
1	1	050228	Chexit PCB Kit - 15 Second Release	
1*	1	050700	Chexit PCB Kit - 30 Second Release	
1	1	050701	Chexit PCB Kit - 0 Second Release	
1	1	050702	Chexit PCB Kit - Boca 15 Second Release	
1*	1	050703	Chexit PCB Kit - Boca 30 Second Release	
2	1	050533	CX Solenoid and Plunger	
3	1	113111	Faceplate and Adapter	X
4	4	963898	6-32 x 3/8" OPHMS Faceplate Screws	X
5	1	991338	RCM 3 Wire RX Cable	
6	1	991339	RCM 2 Wire Solenoid Cable	
7	1	112018	Chexit Wiring Assembly	
8	1	991336	CX-RCM Cable Assy - 5 Wire	
9	1	090036	Cover Plate Anti-rattle Spring (Pkg of 10)	
10	1	970513	LED Cover Mask - Chexit	
11	1	970519	LED Cover - Chexit	
12	1	113781	Sign 15 Second - Chexit	
13	1	113782	Sign 30 Second - Chexit	

***Over 15 seconds delay requires a letter of approval from authority having local jurisdiction.
Fax letter in with sales order. The order cannot be processed without the letter.**



**PUSH UNTIL ALARM SOUNDS
DOOR CAN BE OPENED IN 15 SECONDS**

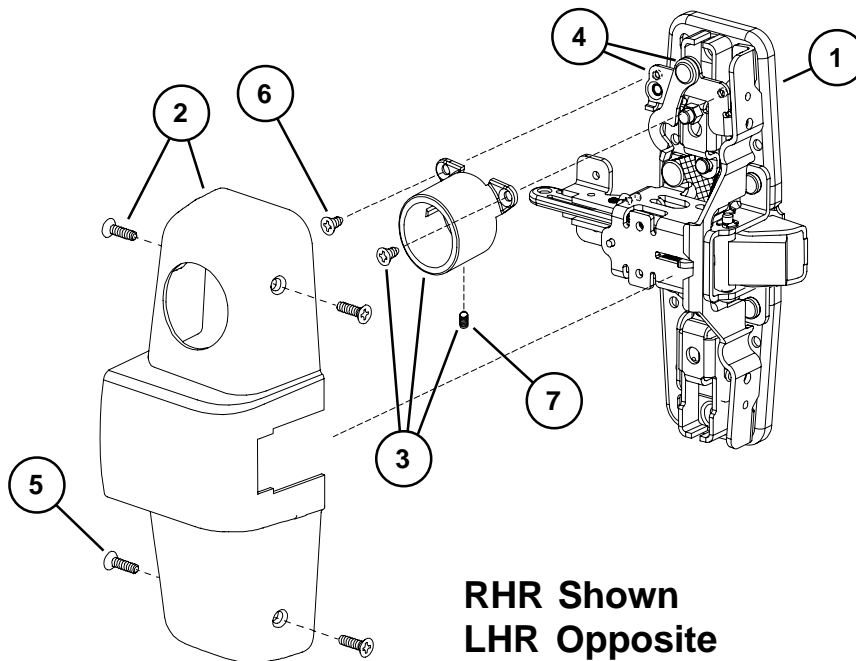


**PUSH UNTIL ALARM SOUNDS
DOOR CAN BE OPENED IN 30 SECONDS**

CX-CD/SD98/99 SERIES OPTION

Item No.	Quantity	Part No.	Description	Finish
1*	1	050548	SD98/99 RHR Center Case Kit Less Cover	
1*	1	050549	SD98/99 LHR Center Case Kit Less Cover	
2	1	050555	SD98/99 RHR Center Case Cover Kit	X
2	1	050556	SD98/99 LHR Center Case Cover Kit	X
3	1	112409	CD-CX/SD Cylinder Dog Housing	
4	1	112455	CX-CD/SD Cylinder Dog Bracket Kit RHR	
4	1	112456	CX-CD/SD Cylinder Dog Bracket Kit LHR	
5	4	900892	Center Case Cover Screws	X
6	2	PkgServ.1018	8-32 x 1/4" UFPHMS (Pkg of 20)	
7	1	964240	Bracket Set Screw	
*	1	050386	SD98/99 Rim Conversion Kit RHR	X
*	1	050387	SD98/99 Rim Conversion Kit LHR	X

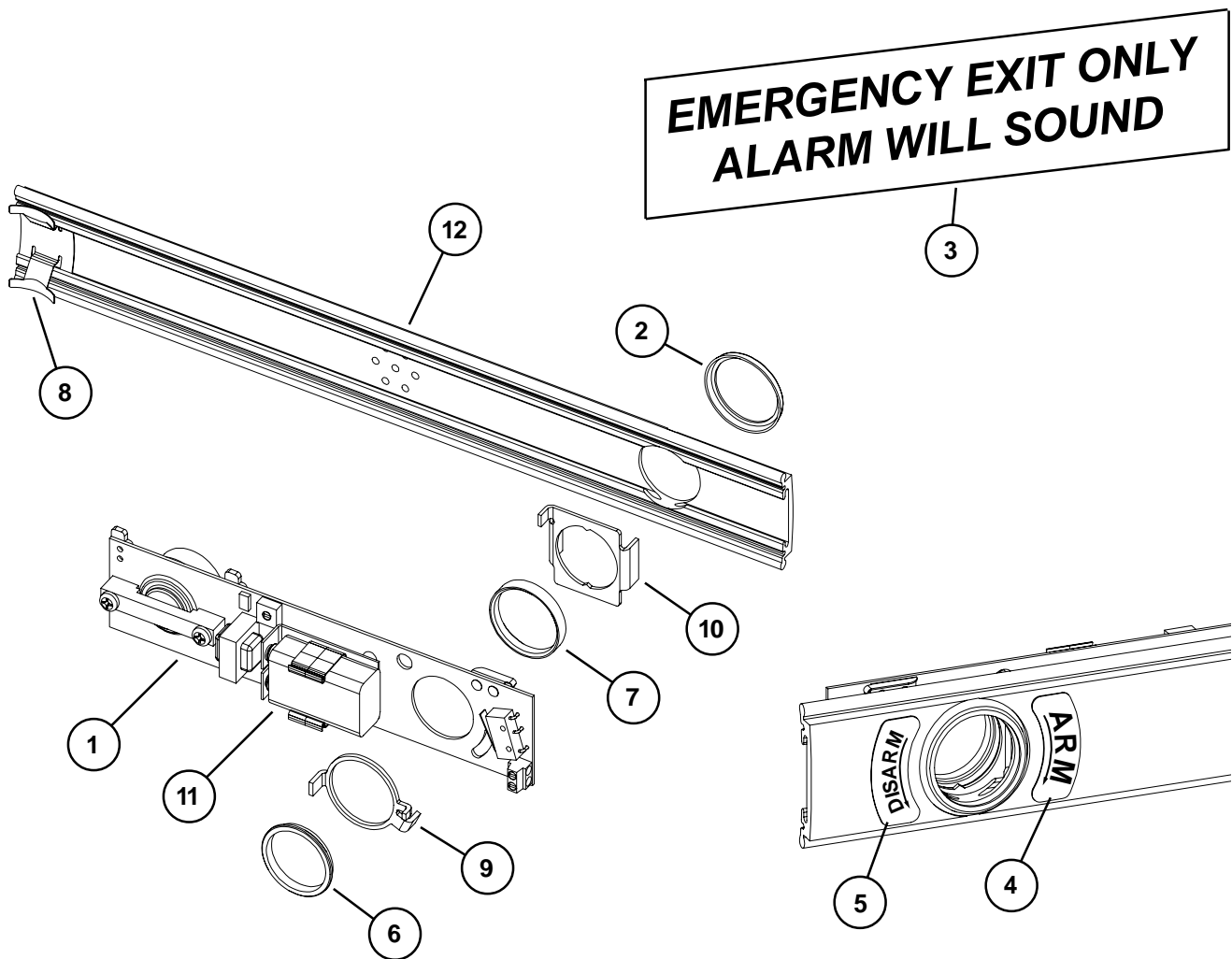
*Parts shown are for the CX-CD/SD option. For other available center case parts refer to page 9.



98/99 ALK EXIT ALARM KIT

Item No.	Quantity	Part No.	Description	Finish
1	1	111795	ALK PCB Assembly	
2	1	050525	Cylinder Collar	X
3	1	969122	ALK Alarm Device Sign	
4	1	969349	ALK Arming Label	
5	1	969350	ALK Disarming Label	
6	1	969354	Retainer Nut	
7	1	970594	ALK Cylinder Spacer	
8	1	090036	Cover Plate Anti-rattle spring (Pkg of 10)	
9	1	971556	ALK Switch Actuator	
10	1	971557	ALK Cylinder Bracket	
11	1	990637	ALK Battery	
12	1	050569	99 Series ALK Cover Plate Kit	X
12	1	050570	98 Series ALK Cover Plate Kit	X

X in "Finish" column designates finished items; finish must be specified when ordering.

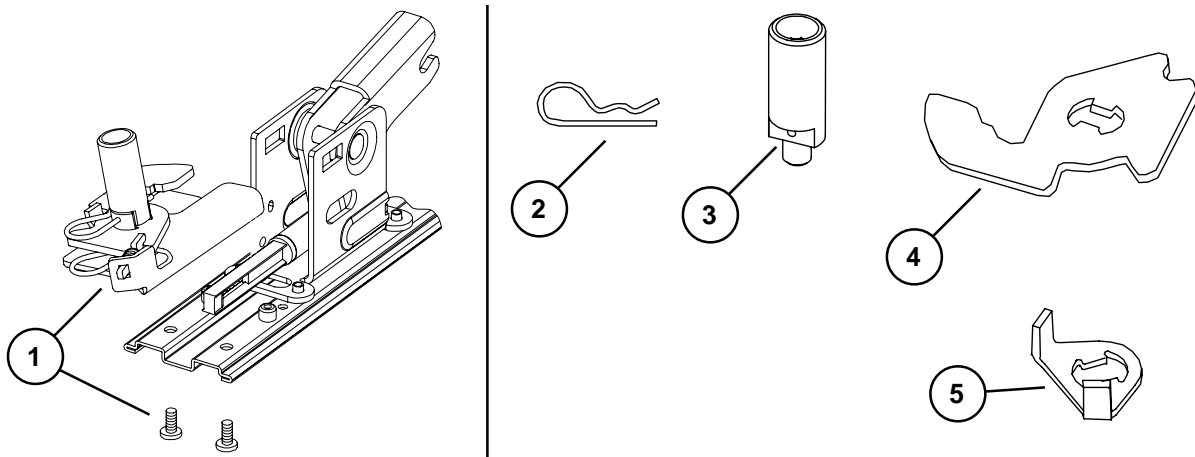


98/99 SERIES SERVICE REPLACEMENT ITEMS

Item No.	Quantity	Part No.	Description	Finish
1	1	050153	Old Style Hex Dogging Replacement Kit	
2	1	963909	#22 Hitch Pin - Hex/CD Dogging Old Style	
3	1	968112	Old Style Hex Dog Shaft	
4	1	969941	Old Style Dogging Hook	
5	1	968116	Old Style CD Actuator Arm	
6	1	900905	Old Style End Cap and Bracket Assembly	X
7	1	970548	Old Style Cover Plate Stop - End Cap	
8	1	900901	Old Style End Cap Screw Package	X
9	1	971082	Old Style 98/99 End Cap - Stainless Steel	X
9	1	971083	Old Style 98/99 End Cap - Brass	X
9	1	971084	Old Style 98/99 End Cap - Bronze	X
9	1	971085	Old Style 98/99 End Cap - Aluminum	X

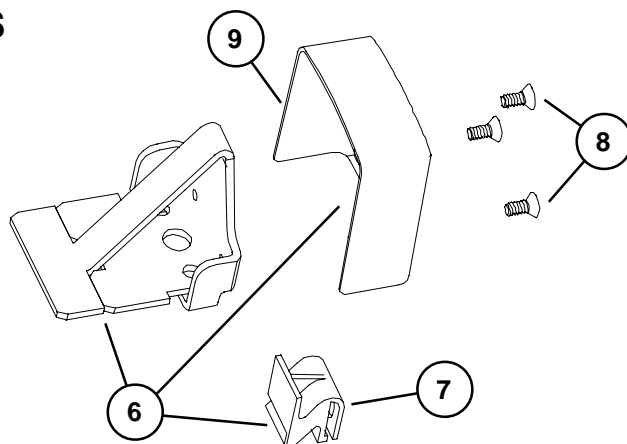
X in "Finish" column designates finished items; finish must be specified when ordering.

OLD STYLE DOGGING PARTS (FOR DEVICES SHIPPED BEFORE AUGUST 1997)



OLD STYLE END CAP PARTS (FOR DEVICES SHIPPED BEFORE JANUARY 2002)

Note: Newer style end cap kit shown on pages 4-5. Newer style end cap kit can be used on devices manufactured before January 2002, but mechanism case and cover plate on hinge stile must have a square cut and a clean edge.



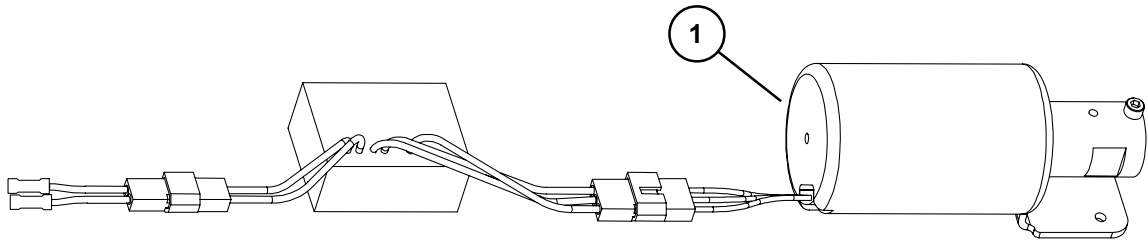
98/99 SERIES SERVICE REPLACEMENT ITEMS

Item No.	Quantity	Part No.	Description	Finish
1	1	050218	EL Solenoid Replacement Kit	

X in "Finish" column designates finished items; finish must be specified when ordering.

EL SOLENOID REPLACEMENT KIT (FOR DEVICES SHIPPED BEFORE JANUARY 1987)

Note: This kit replaces the old style EL solenoid parts with the new style.

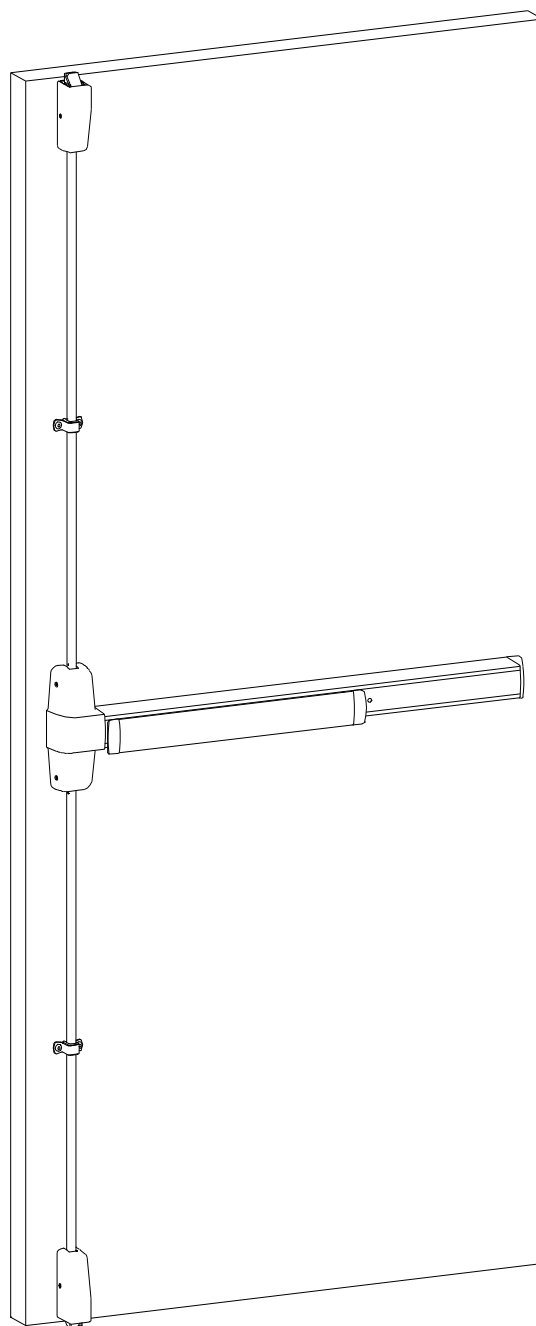


VON DUPRIN[®]

PARTS MANUAL

JANUARY 2010

98/9927 SERIES EXIT DEVICES



PM989927_D
VD-GN-1031

IR *Ingersoll Rand*
Security Technologies

Copyright © 2010 Ingersoll-Rand Company. All rights reserved.

INDEX

98/9927 Devices	
Basic Panic Device	4-5
Basic Fire Device	6-7
Vertical Rods and Latches	8-9
Baseplate Assemblies	10
Center Case Assembly	11
LBR (Less Bottom Rod) Fire Latch Kit	11
 Variations of the Basic Device	
CD (Cylinder Dogging)	4-5
HD-EL (Hex Dogging/Electric Latch Retraction)	12
EL (Electric Latch Retraction)	13
SS (Signal Switch)	13
RX (Request to Exit)	14-15
LX (Latch Bolt Monitoring)	14-15
CX Chexit	16
CX-CD/SD	17
ALK Exit Alarm Kit	18
 Service Replacement Items	19-20
 General Information	
Introduction	2
How to Order	2
Part Number Changes	2
Finishes	3
Outside Trim Functions	3
Strikes	3

INTRODUCTION

This manual contains a listing of replaceable parts and assemblies for the 98/9927 Exit Hardware Devices. 98 Series and 99 Series devices are almost identical. The 99 Series has a grooved case; the 98 Series has a smooth case.

HOW TO ORDER

Some parts are sold separately. Other items are available as part of a kit or multiple quantity package. For the best possible service when ordering replacement parts or assemblies, please provide the following information:

- Part number or assembly number
- Description
- Quantity needed
- Finish desired (if available finished)
- Date of original purchase (if known)

To find out the name of your local Von Duprin distributor or sales representative, contact:

Von Duprin Division
Ingersoll-Rand Company
2720 Tobey Drive
Indianapolis, Indiana 46219
Phone: (800) 999-0408
Fax: (800) 999-0328
Website: www.vonduprin.com

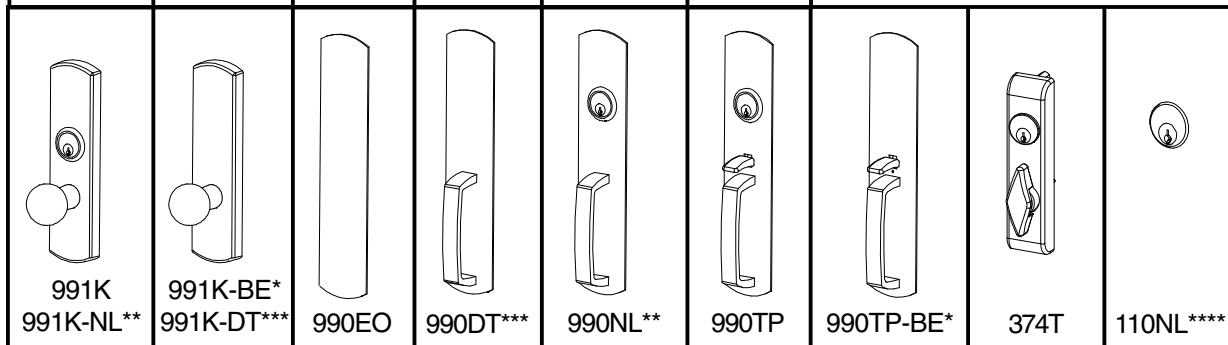
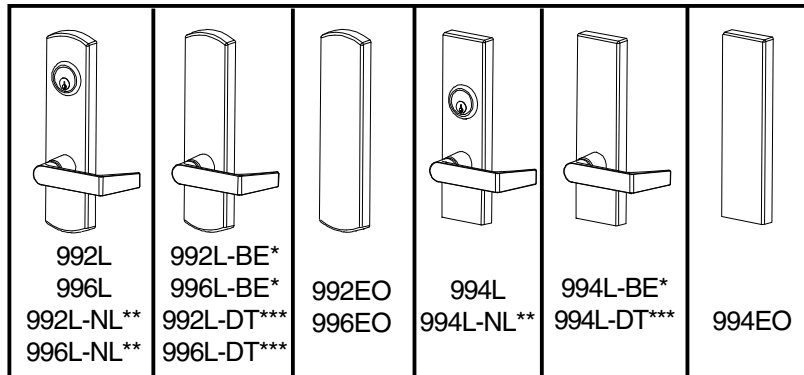
PART NUMBER CHANGES

This manual reflects the product as sold in January 2010. Because of changes to the product and/or manufacturing process, part numbers can change.

98/99 SERIES FINISHES

OUTSIDE TRIM FUNCTIONS

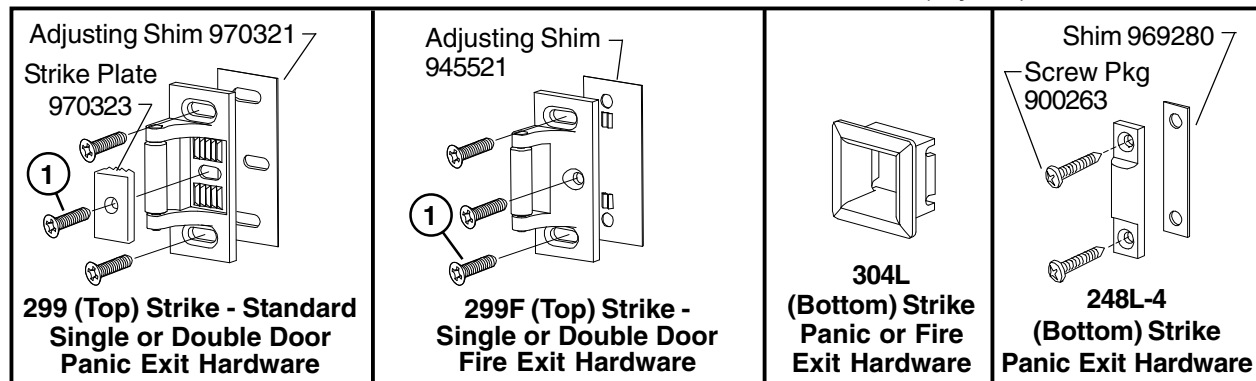
U.S. Std Reference	BHMA Reference	Description
US3	605	Polished Brass
US4	606	Dull Brass
US10	612	Dull Bronze
US15	619	Satin Nickel
US26	625	Polished Chrome
US26D	626	Dull Chrome
US28	628	Anodized Alum. (Clear)
US32D	630	Satin Stainless Steel
313AN	710	Anodized Alum. (313) Dark Bronze
315AN	711	Anodized Alum. (Black)



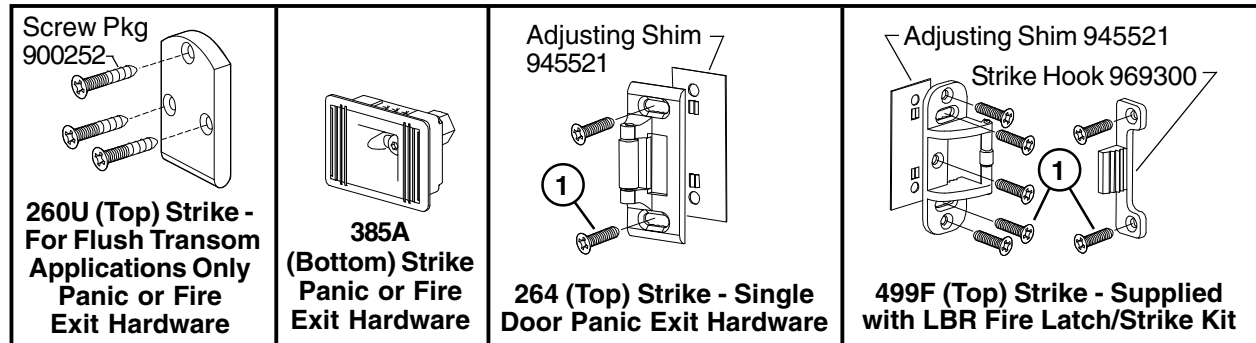
- * "BE" (Blank Escutcheon) no cylinder used - lever always active
- ** "NL" (Night Latch) rigid lever - key retracts latch bolt
- *** "DT" (Dummy Trim) rigid lever for pull operation
- **** Optional Pull needs to be added

- ① Metal Door Screw Package PKGSRV.1023 (Pkg of 10)
- Wood Door Screw 964291 (Qty of 1)

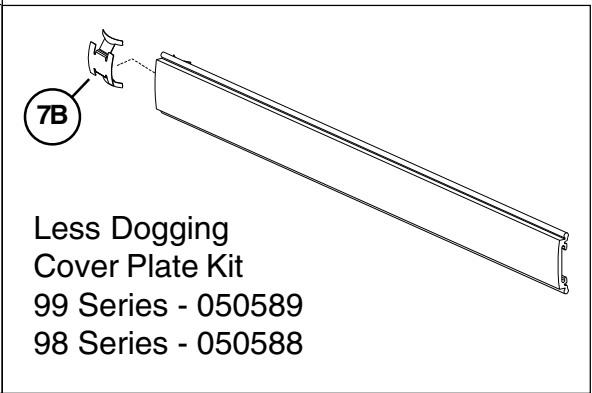
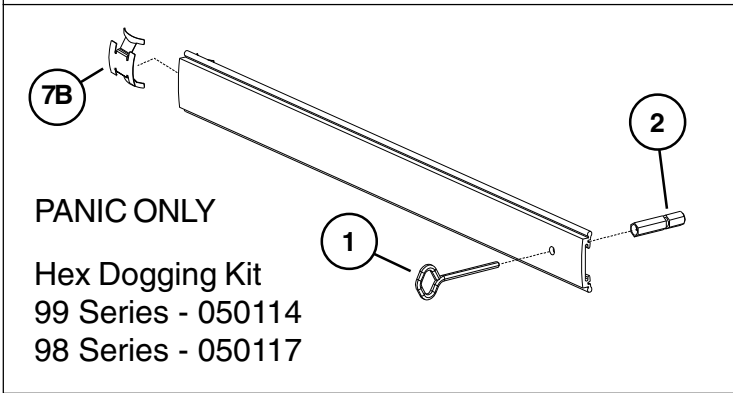
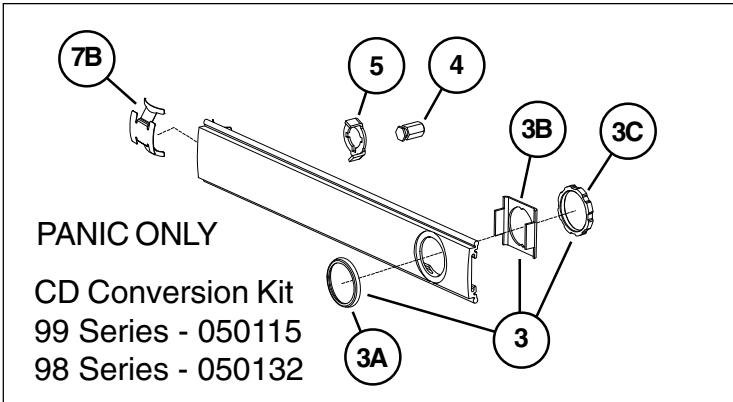
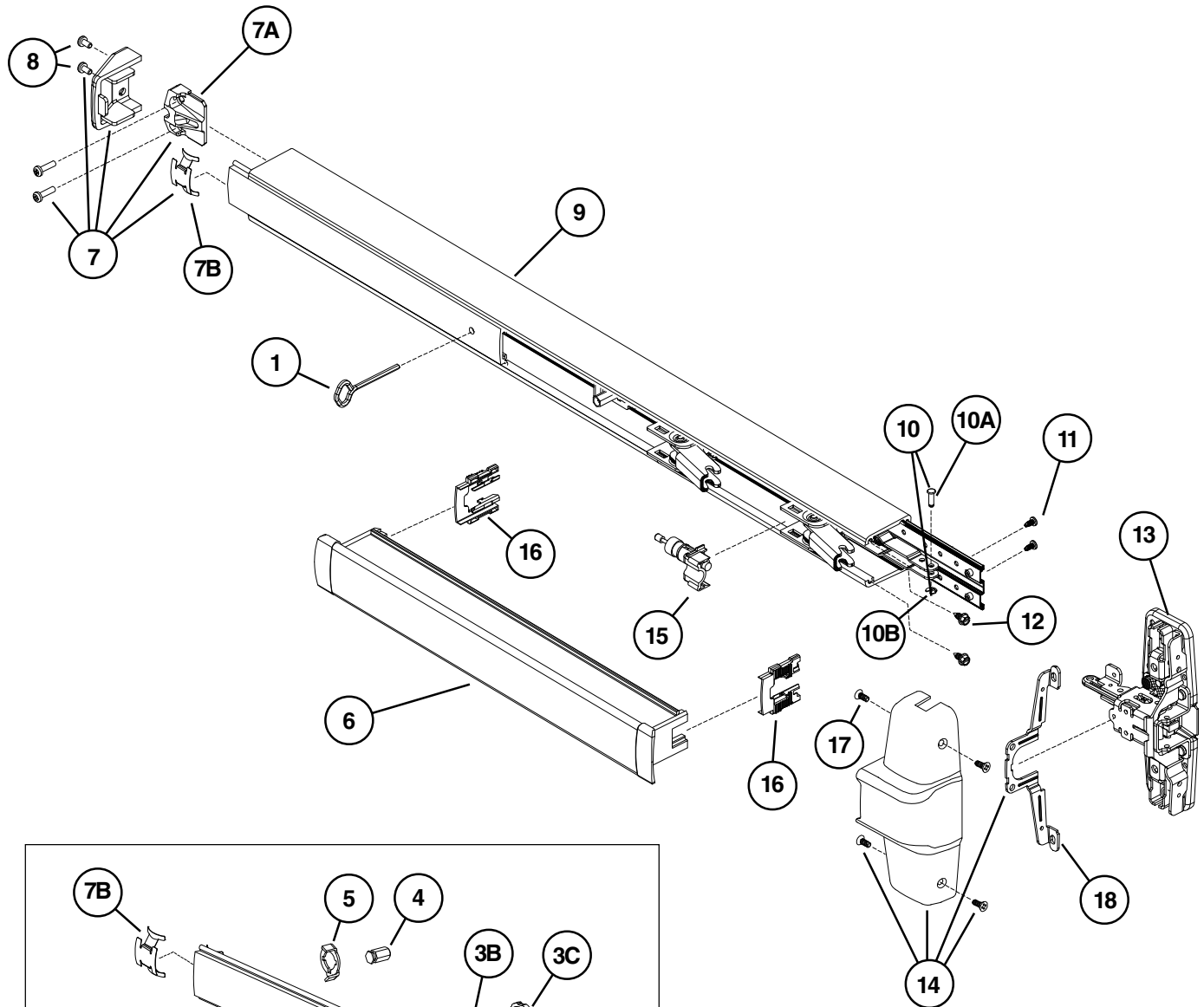
STANDARD STRIKES



OPTIONAL STRIKES



98/9927 PANIC DEVICE



98/9927 PANIC DEVICE

Item No.	Quantity	Part No.	Description	Finish
	1	900563	98/9927 Series Mounting Pkg. (1-3/4)	
	1	900568	98/9927 Series Mounting Pkg. (2-1/4)	
1	1	090085	227 Dog Key 5/32" Hex (Pkg of 10)	
1	1	090005	227 Dog Key 5/32" Hex (Pkg of 2)	
2	1	090040	Hex Dog Shaft (Pkg of 2)	
3	1	107813	Cylinder Mounting Pkg	X
3A	1	050525	Cylinder Collar	X
3B	1	050490	Cylinder Locating Washer - CD/SS	
3C	1	050526	Cylinder Locknut	
4	1	090046	CD Dogging Plug (Pkg of 2)	
5	1	090045	CD Actuator Arm (Pkg of 2)	
6	1	*PBKIT	98/99 Series Push Bar Retrofit Kit - 3' Door	X
6	1	*PBKIT	98/99 Series Push Bar Retrofit Kit - 4' Door	X
7	1	050014	98/99 Series End Cap Kit	X
7A	1	050524	Impact Resistant End Cap Bracket	
7B	1	090036	Cover Plate Anti-rattle Spring (Pkg of 10)	
8	1	900597	Device End Cap and C/Case Screw Pkg.	X
9	1	968144	99 Series Mechanism Case - 3' Door	X
9	1	968146	99 Series Mechanism Case - 4' Door	X
9	2	970191	98 Series Mechanism Case - 3' Door	X
9	1	970192	98 Series Mechanism Case - 4' Door	X
10	1	050529	98/99 Series Control Link Pin & Ret. Ring	
10A	1	090031	98/99 Series Control Link Pin (Pkg of 10)	
10B	1	090107	Retaining Ring (Pkg of 10)	
11	2	090037	#8-32 x 3/8" Baseplate Screw (Pkg of 10)	
12	2	090073	Mechanism Case Bracket Screw (Pkg of 10)	
13***	1	050021	98/9927/-F Center Case Kit Less Cover	
14**	1	050072	98/9927/-F Center Case Cover Kit	X
15	1	050491	Shock Absorber & Holder Assembly	
16	2	090049	Push Bar Guide (Pkg of 10)	
17	4	900892	Center Case Cover Screws (Pkg of 4)	X
18	1	050564	Center Case Cover Bracket	

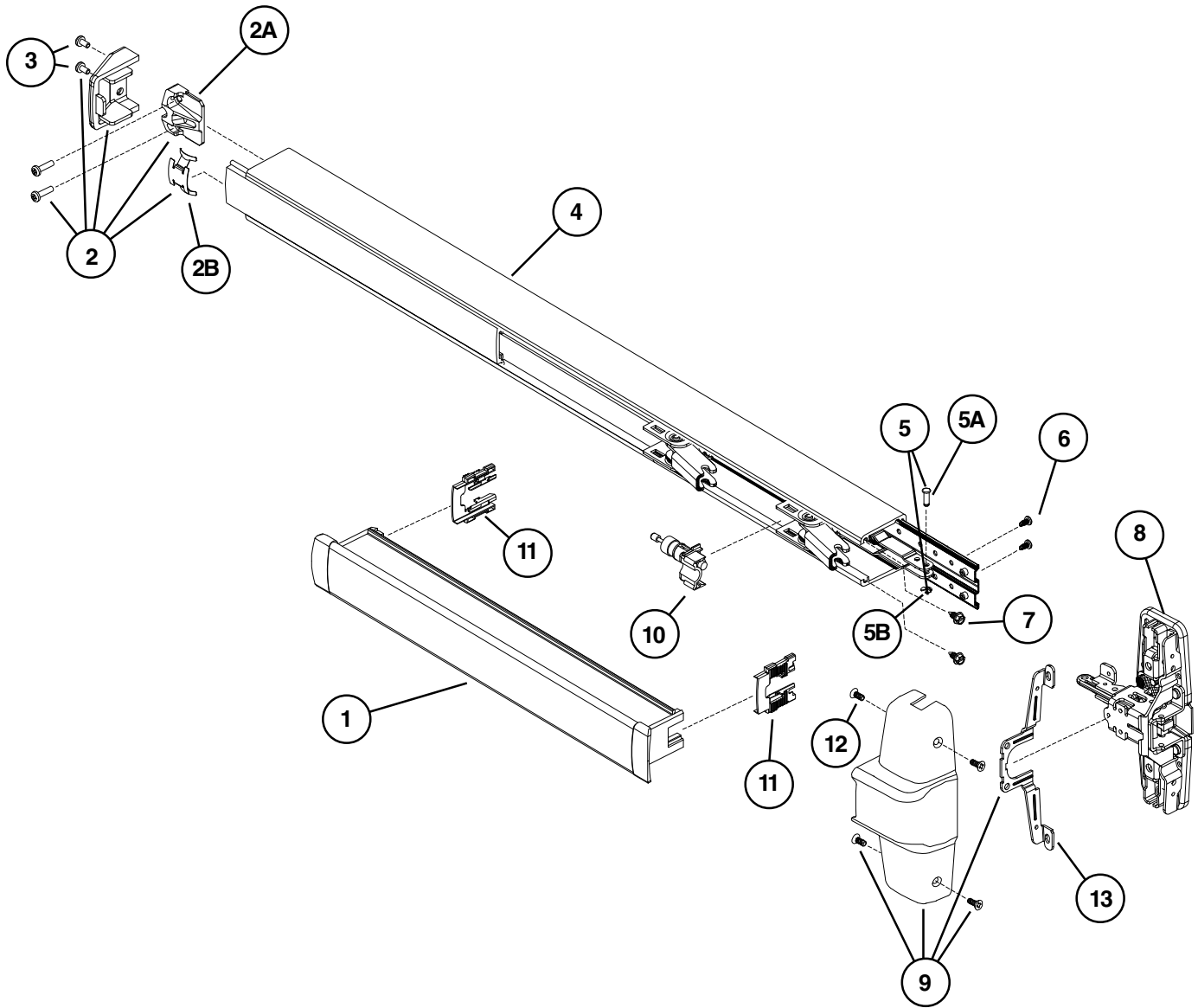
X in "Finish" column designates finished items; finish must be specified when ordering.

* To order, specify device type, size, and finish. Example: PBKIT 98 3' US28.

**Includes parts for three piece cover conversion.

***Center case assembly parts shown on page 11.

98/9927-F FIRE DEVICE



Fire Cover Plate Kit
99 Series - 050589
98 Series - 050588

98/9927-F FIRE DEVICE

Item No.	Quantity	Part No.	Description	Finish
	1	900563	98/9927 Series Mounting Pkg. (1-3/4)	
	1	900568	98/9927 Series Mounting Pkg. (2-1/4)	
1	1	*PBKIT	98/99 Series Push Bar Retrofit Kit - 3' Door	X
1	1	*PBKIT	98/99 Series Push Bar Retrofit Kit - 4' Door	X
2	1	050014	98/99 Series End Cap Kit	X
2A	1	050524	Impact Resistant End Cap Bracket	
2B	1	090036	Cover Plate Anti-rattle Spring (Pkg of 10)	
3	1	900597	Device End Cap and C/Case Screw Pkg.	X
4	1	968144	99 Series Mechanism Case - 3' Door	X
4	1	968146	99 Series Mechanism Case - 4' Door	X
4	1	970191	98 Series Mechanism Case - 3' Door	X
4	1	970192	98 Series Mechanism Case - 4' Door	X
5	1	050529	98/99 Series Control Link Pin & Ret. Ring	
5A	1	090031	98/99 Series Control Link Pin (Pkg of 10)	
5B	1	090107	Retaining Ring (Pkg of 10)	
6	2	090037	#8-32 x 3/8" Baseplate Screw (Pkg of 10)	
7	2	090073	Mechanism Case Bracket Screw (Pkg of 10)	
8***	1	050021	98/9927/-F Center Case Kit Less Cover	
9**	1	050072	98/9927/-F Center Case Cover Kit	X
10	1	050491	Shock Absorber & Holder Assembly	
11	2	090049	Push Bar Guide (Pkg of 10)	
12	4	900892	Center Case Cover Screws (Pkg of 4)	X
13	1	050564	Center Case Cover Bracket	

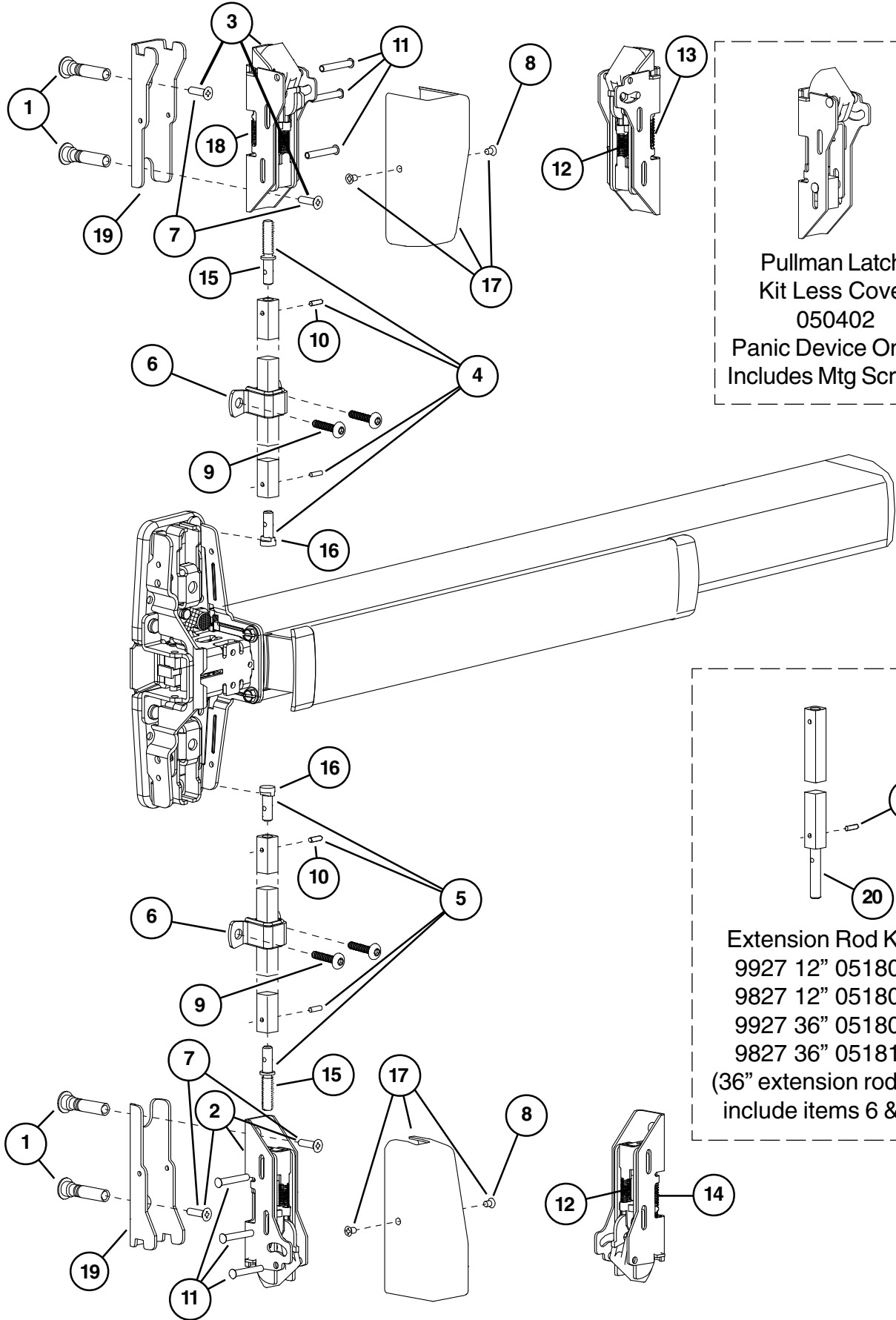
X in "Finish" column designates finished items; finish must be specified when ordering.

* To order, specify device type, size, and finish. Example: PBKIT 98 3' US28.

**Includes parts for three piece cover conversion.

***Center case assembly parts shown on page 11.

98/9927 VERTICAL RODS AND LATCHES



Pullman Latch
 Kit Less Cover
 050402
 Panic Device Only -
 Includes Mtg Screws

Extension Rod Kits
 9927 12" 051801
 9827 12" 051809
 9927 36" 051802
 9827 36" 051810
 (36" extension rod kits
 include items 6 & 9)

98/9927 VERTICAL RODS AND LATCHES

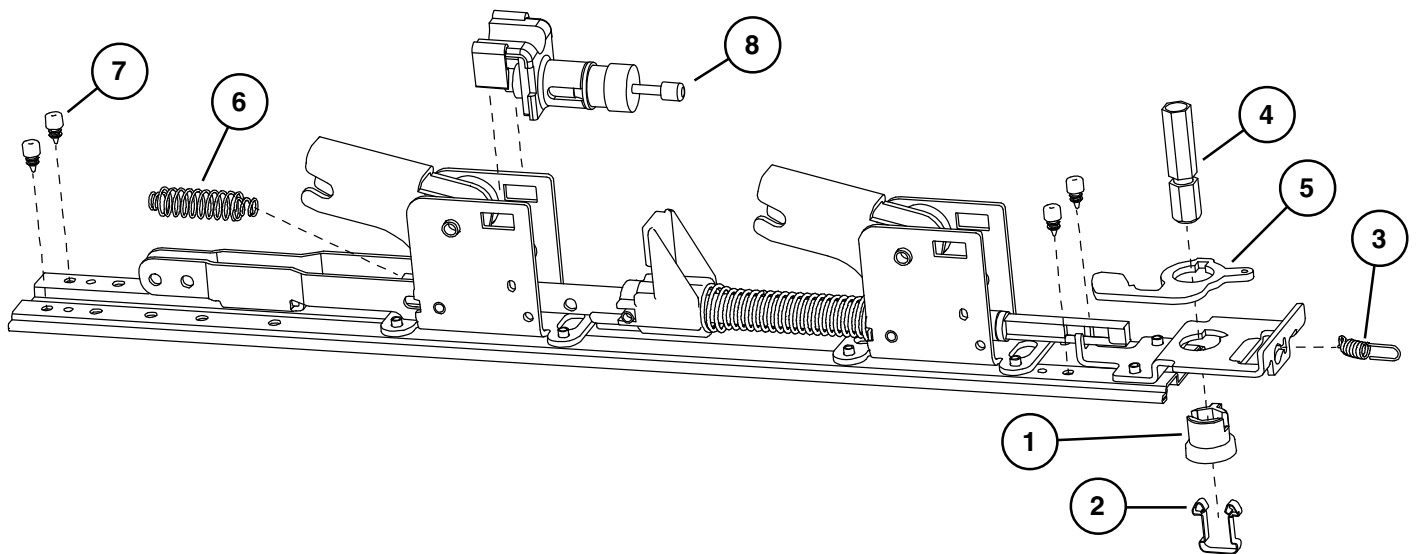
Item No.	Quantity	Part No.	Description	Finish
1	2	034902	325 Sex Bolt Package (Pkg of 2)	X
2	1	050401	98/9927 Bottom Latch Kit Less Cover	
3	1	050400	98/9927 Top Latch Kit Less Cover	
4	1	050512	9927 Top Rod Kit	X
4	1	050513	9827 Top Rod Kit	X
5	1	050514	9927 Bottom Rod Kit	X
5	1	050515	9827 Bottom Rod Kit	X
6	2	112063	98/9927 Rod Guide Pkg	X
7	1	900589	Latch Mounting Package (Pkg of 4)	
8	2	900850	Latch Case Cover Screw (Pkg of 2)	X
9	2	900919	98/9927 Rod Guide Mounting Package	
10	4	090054	Rod Roll Pin (Pkg of 10)	
11	6	090055	Housing Guide Pin (Pkg of 10)	
12	2	090065	Bolt Return Spring (Pkg of 10)	
13	1	090056	Top Latch Compression Spring (Pkg of 10)	
13	1	090057	PL Top Latch Spring (Pkg of 10)	
14	1	090058	Bottom Latch Case Spring (Pkg of 10)	
15	2	090067	Rod Connector - Latch (Pkg of 2)	
16	2	090068	Rod Connector - Center Case (Pkg of 2)	
17	1	050566	98/9927/27-F Latch Case Cover Kit	X
18	1	090076	Aux. Bolt Spring (Pkg of 10)	
19	2	050546	Latch Case Mtg. Bracket Kit	
20	1	090075	98/9927 Rod Extension Connector (Pkg of 4)	
*	1	050090	98/9927 Bottom Latch Retrofit Kit	X
*	1	050091	98/9927 Top Latch Retrofit Kit	X

X in "Finish" column designates finished items; finish must be specified when ordering.

* For devices shipped before October 1998.

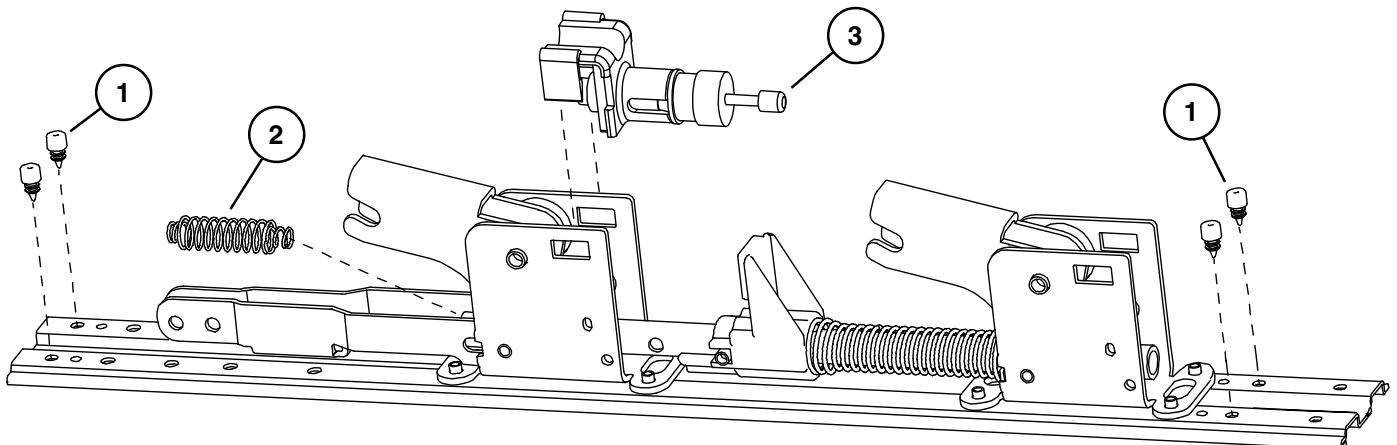
98/9927 PANIC DEVICE BASEPLATE ASSEMBLY

Item No.	Quantity	Part No.	Description	Finish
1	1	090043	Dogging adapter (Pkg of 2)	
2	1	090042	Dogging adapter spring (Pkg of 2)	
3	1	090041	Dogging spring (Pkg of 2)	
4	1	090040	Hex dogging shaft (Pkg of 2)	
5	1	090044	Dogging hook (Pkg of 2)	
6	1	090039	Latch return spring (Pkg of 10)	
7	4	090038	Rubber bumper (Pkg of 4)	
8	1	050491	Shock absorber	



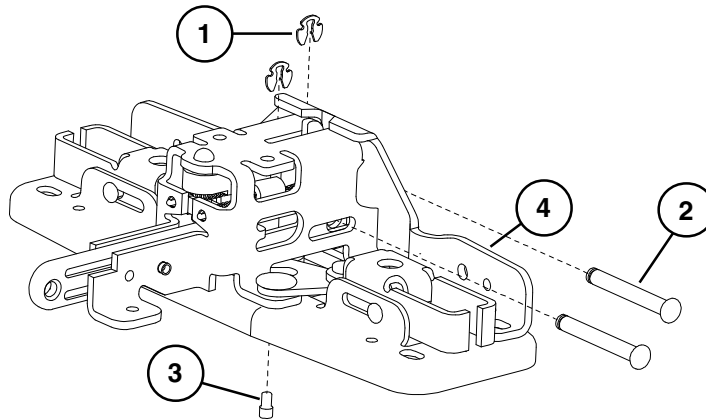
98/9927-F FIRE DEVICE BASEPLATE ASSEMBLY

Item No.	Quantity	Part No.	Description	Finish
1	4	090038	Rubber bumper (Pkg of 4)	
2	1	090039	Latch return spring (Pkg of 10)	
3	1	050491	Shock absorber	



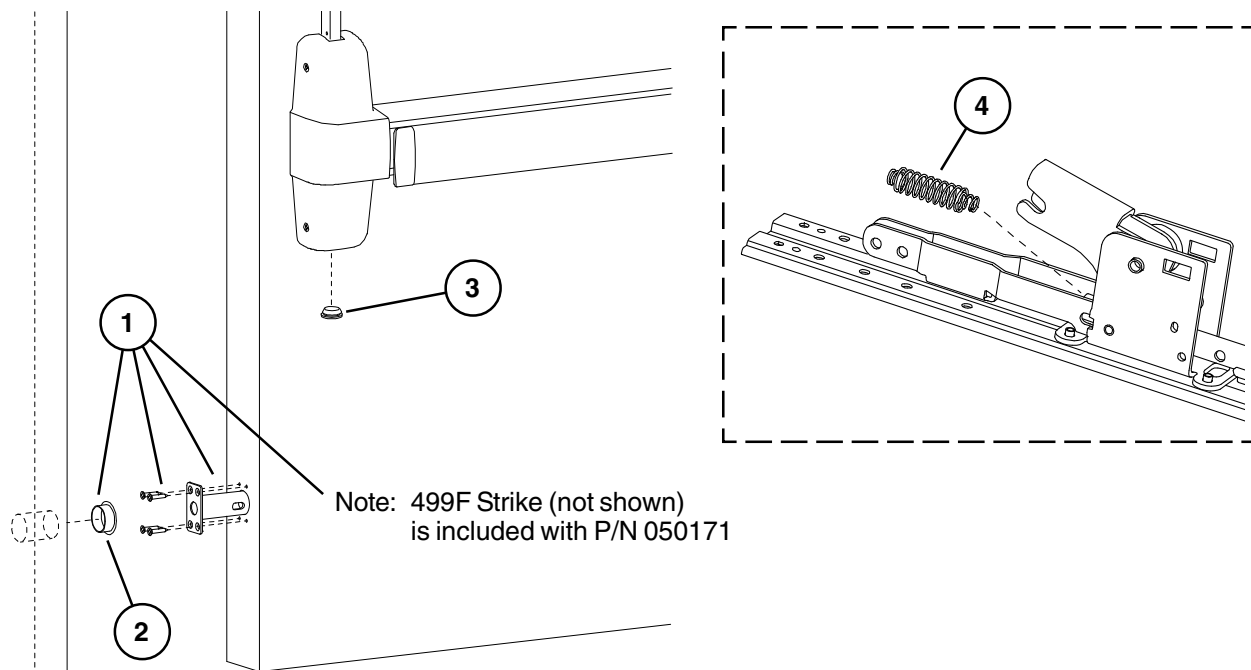
98/9927 DEVICE CENTER CASE ASSEMBLY

Item No.	Quantity	Part No.	Description	Finish
1	2	090107	Retaining Ring (Pkg of 10)	
2	2	090079	Latch Bolt Pin (Pkg of 10)	
3	1	090074	NL Drive Screw (Pkg of 10)	
4	1	050565	Center Case Reinforcing Bracket	



98/9927-F LBR (LESS BOTTOM ROD) FIRE LATCH KIT

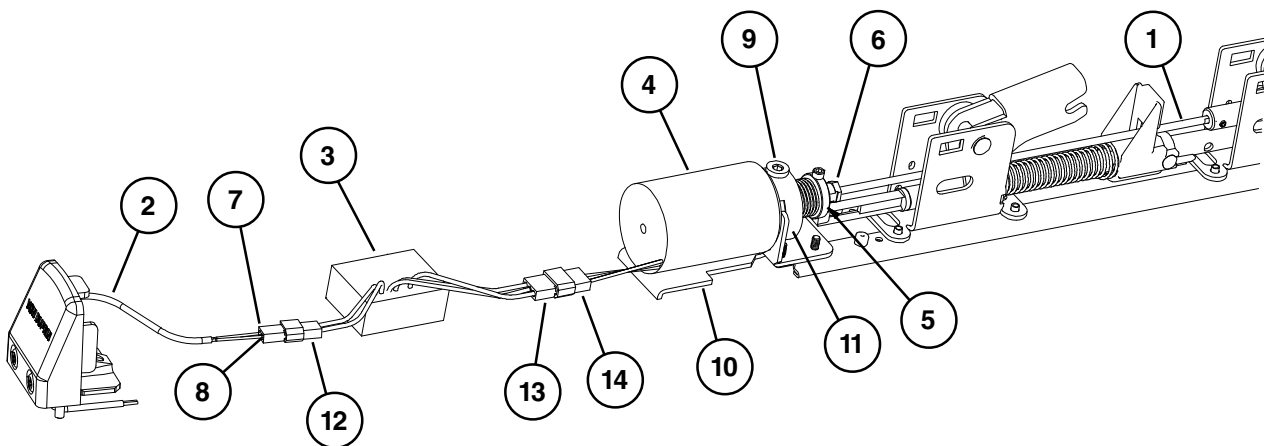
Item No.	Quantity	Part No.	Description	Finish
1	1	050171	LBR Fire Latch/Strike kit	
2	1	050509	LBR Fire Strike Plug	
3	1	113334	LBR Center Case Hole Plug	
4	1	090088	98/9927-F LBR Latch Spring Pkg of 10	
5	1	900980	98/9927-F LBR Latch Mounting Package	



HD-EL9827/HD-EL9927 HEX DOGGING/ELECTRIC LATCH RETRACTION OPTION - PANIC DEVICE ONLY

Item No.	Quantity	Part No.	Description	Finish
1	1	050531	EL Dogging Rod Kit - 3' Device	
1	1	050532	EL Dogging Rod Kit - 4' Device	
2	1	110388	EL 6' Cable and Connector	
3	1	050534	EL Potted Circuit Breaker	
4	1	050536	HD-EL Solenoid	
5	1	050537	HD-EL Solenoid Plunger	
6	1	050538	EL Dogging Rod Retainer	
7	1	050539	EL Receptacle Connector - 2 Position	
8	2	050540	EL Female Terminal	
9	1	050541	HD-EL Dog Screw	
10	1	050542	HD-EL Solenoid Bracket	
11	1	050543	HD-EL Dogging Spring	
12	1	990599	EL Plug Connector - 2 Position	
13	1	990857	EL Receptacle Connector - 3 Position	
14	1	990858	EL Plug Connector - 3 Position	
*	1	050384	HD-EL Conversion Kit - 3'	
*	1	050385	HD-EL Conversion Kit - 4'	

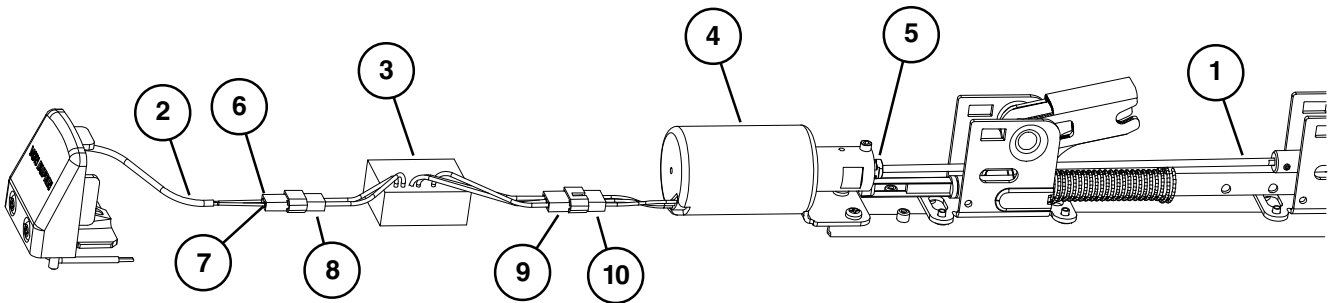
*Kit includes items 1-11 plus new control link, retaining ring, and baseplate screws.



EL9827/EL9927 SERIES ELECTRIC LATCH RETRACTION OPTION

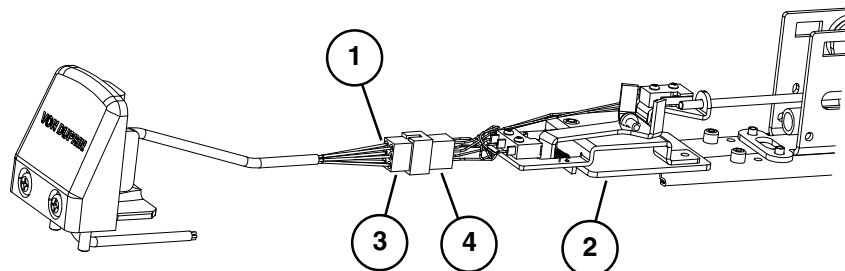
Item No.	Quantity	Part No.	Description	Finish
1	1	050531	EL Dogging Rod Kit - 3' device	
1	1	050532	EL Dogging Rod Kit - 4' device	
2	1	110388	EL 6' Cable and Connector	
3	1	050534	EL Potted Circuit Breaker	
4	1	050535	EL Solenoid Assembly	
5	1	050538	EL Dogging Rod Retainer	
6	1	050539	EL Receptacle Connector	
7	2	050540	EL Female Terminal	
8	1	990599	EL Plug Connector - 2 Position	
9	1	990857	EL Receptacle Connector - 3 Position	
10	1	990858	EL Plug Connector - 3 Position	
*	1	050070	EL Conversion Kit - 3'	
*	1	050078	EL Conversion Kit - 4'	

*Kit includes items 1-7 plus new control link pin, retaining ring, and baseplate screws.

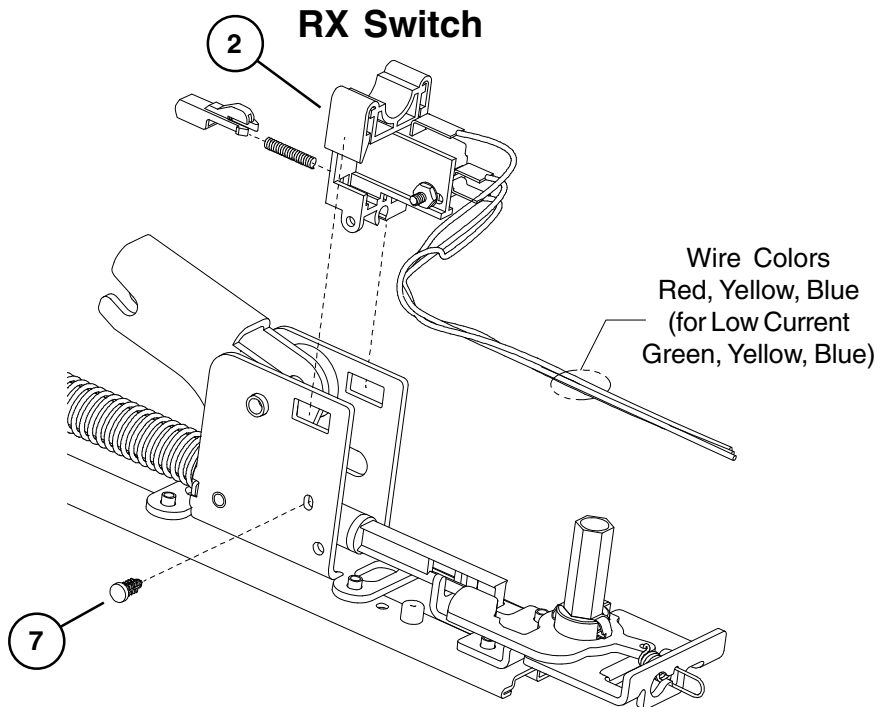
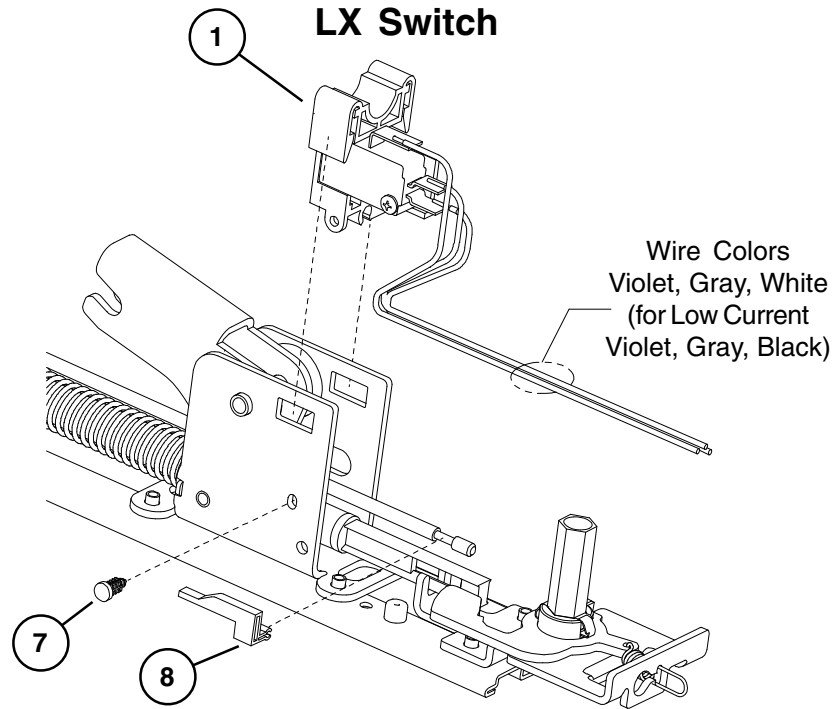


SS9827/SS9927 SERIES (SIGNAL SWITCH) OPTION

Item No.	Quantity	Part No.	Description	Finish
1	1	050544	SS Cable	
2	1	050545	SS Housing	
3	1	990601	SS Plug Connector - 6 Position	
4	1	990602	SS Receptacle Connector - 6 Position	

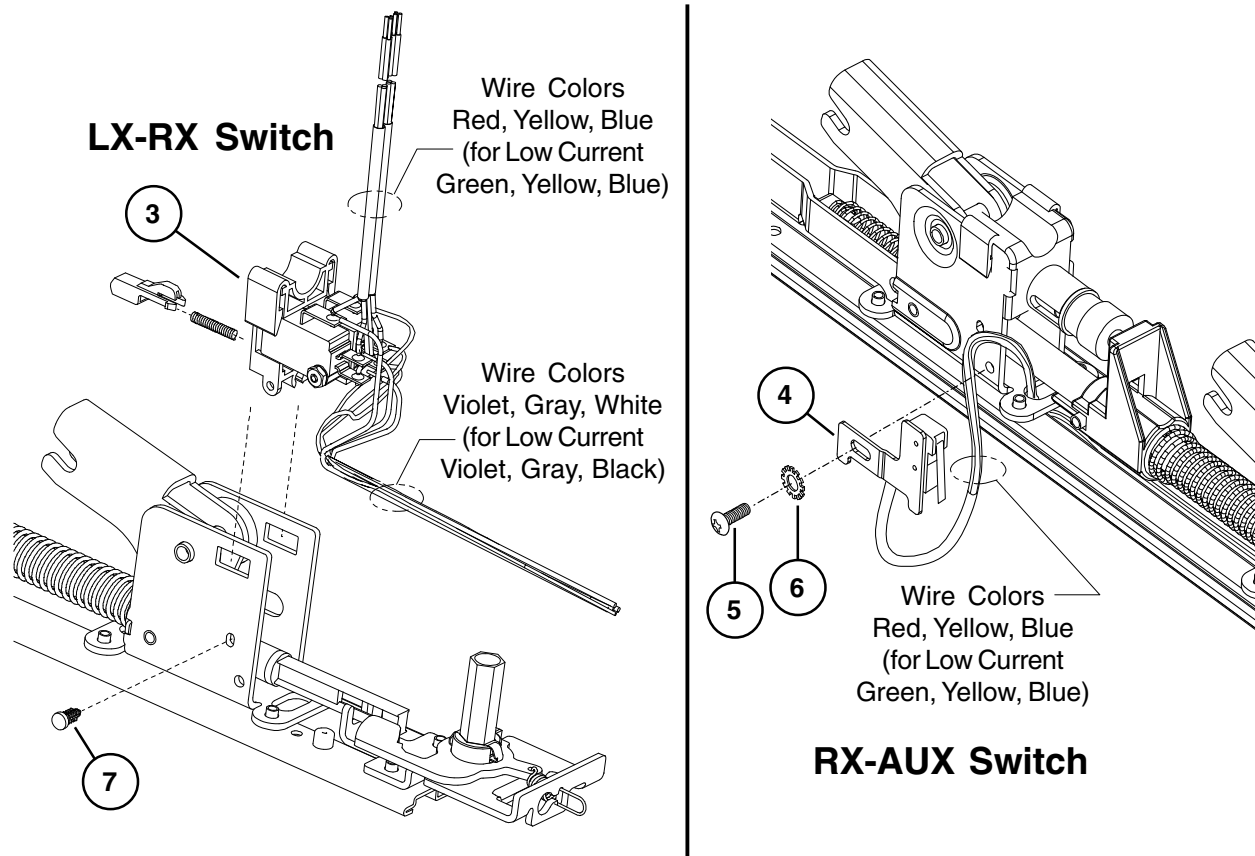


98/9927 SERIES LX (LATCH BOLT MONITOR) & RX (REQUEST TO EXIT) OPTIONS



98/9927 SERIES LX (LATCH BOLT MONITOR) & RX (REQUEST TO EXIT) OPTIONS

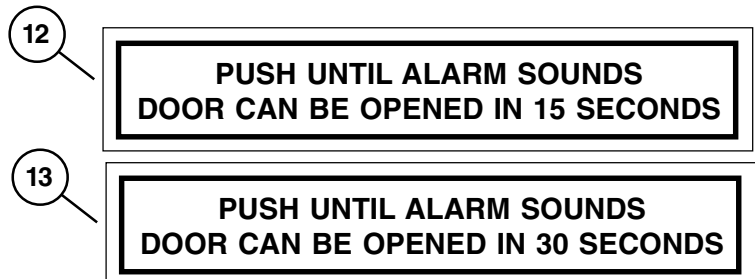
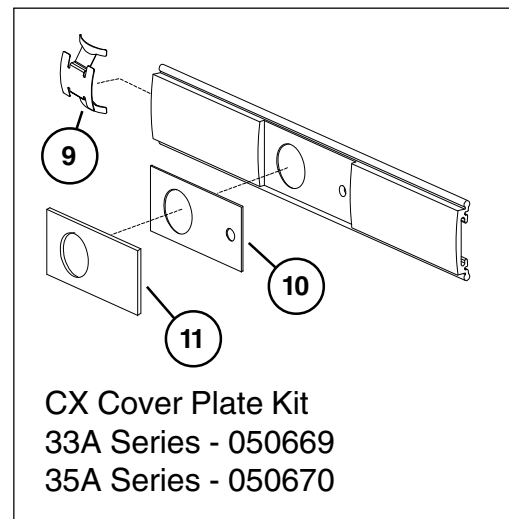
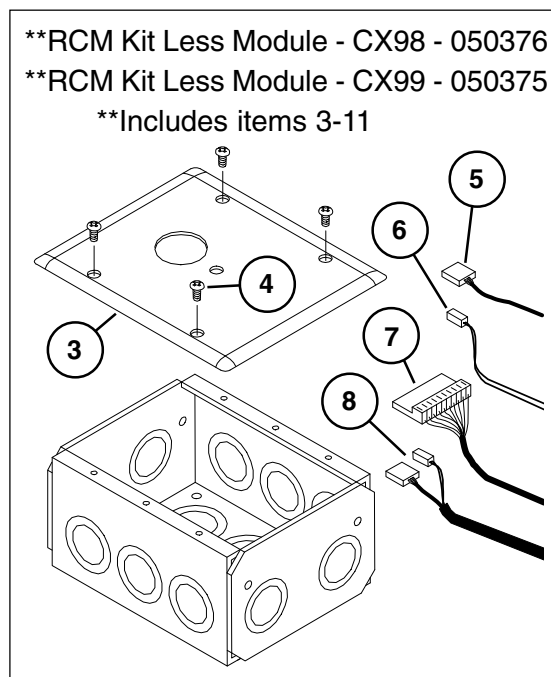
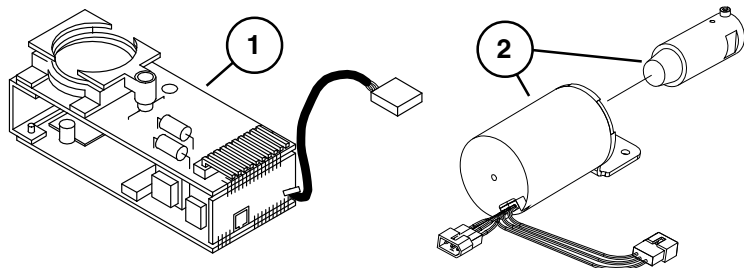
Item No.	Quantity	Part No.	Description	Finish
1	1	050254	LX Switch Kit 3' Device	
1	1	050255	LX Switch Kit 4' Device	
1	1	050247	LX-EL Switch Kit	
1	1	050283	LX-LC (Low Current) Switch Kit 3' Device	
1	1	050285	LX-LC (Low Current) Switch Kit 4' Device	
1	1	050287	LX-LC-EL (Low Current) Switch Kit	
2	1	050251	RX Switch Kit	
2	1	050281	RX-LC (Low Current) Switch Kit	
3	1	050256	LX-RX Switch Kit 3' Device	
3	1	050257	LX-RX Switch Kit 4' Device	
3	1	050259	LX-RX-EL Switch Kit	
3	1	050289	LX-RX-LC (Low Current) Sw. Kit 3' Device	
3	1	050291	LX-RX-LC (Low Current) Sw. Kit 4' Device	
3	1	050293	LX-RX-LC-EL (Low Current) Switch Kit	
2 & 4	1	050270	RX-2 Switch Kit	
4	1	050271	RX-AUX Switch Kit	
5	1	964558	8-32 x 5/16" PPHMS	
6	1	964019	#8 Washer	
7	1	090099	Pine Tree Clip (Pkg of 10)	
8	1	971091	LX Actuator	



CX98/9927 SERIES CHEXIT AND CX-RCM OPTION

Item No.	Quantity	Part No.	Description	Finish
1	1	050228	Chexit PCB Kit - 15 Second Release	
1*	1	050700	Chexit PCB Kit - 30 Second Release	
1	1	050701	Chexit PCB Kit - 0 Second Release	
1	1	050702	Chexit PCB Kit - Boca 15 Second Release	
1*	1	050703	Chexit PCB Kit - Boca 30 Second Release	
2	1	050533	CX Solenoid and Plunger	
3	1	113111	Faceplate and Adapter	X
4	4	963898	6-32 x 3/8" OPHMS Faceplate Screws	X
5	1	991338	RCM 3 Wire RX Cable	
6	1	991339	RCM 2 Wire Solenoid Cable	
7	1	112018	Chexit Wiring Assembly	
8	1	991336	CX-RCM Cable Assy - 5 Wire	
9	1	090036	Cover Plate Anti-rattle Spring (Pkg of 10)	
10	1	970513	LED Cover Mask - Chexit	
11	1	970519	LED Cover - Chexit	
12	1	113781	Sign 15 Second - Chexit	
13	1	113782	Sign 30 Second - Chexit	

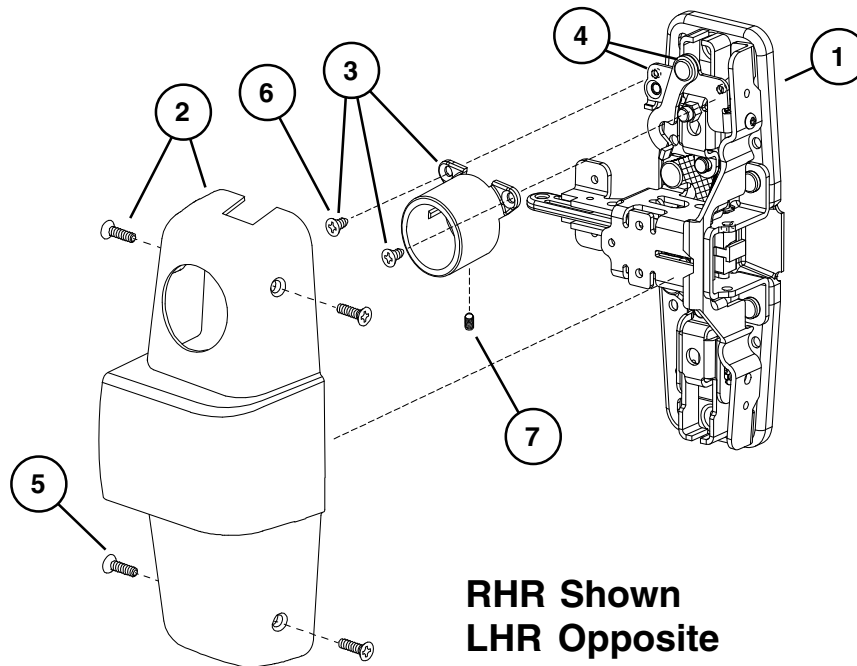
***Over 15 seconds delay requires a letter of approval from authority having local jurisdiction.
Fax letter in with sales order. The order cannot be processed without the letter.**



CX-CD/SD98/9927 SERIES OPTION

Item No.	Quantity	Part No.	Description	Finish
1*	1	050550	SD98/9927 RHR Center Case Kit Less Cvr	
1*	1	050551	SD98/9927 LHR Center Case Kit Less Cvr	
2	1	050559	SD98/9927 RHR Center Case Cover Kit	X
2	1	050560	SD98/9927 LHR Center Case Cover Kit	X
3	1	112409	CD-CX/SD Cylinder Dog Housing	
4	1	112455	CX-CD/SD Cylinder Dog Bracket Kit RHR	
4	1	112456	CX-CD/SD Cylinder Dog Bracket Kit LHR	
5	4	900892	Center Case Cover Screws	X
6	2	PkgServ.1018	8-32 x 1/4" UFPHMS (Pkg of 20)	
7	1	964240	Bracket Set Screw	

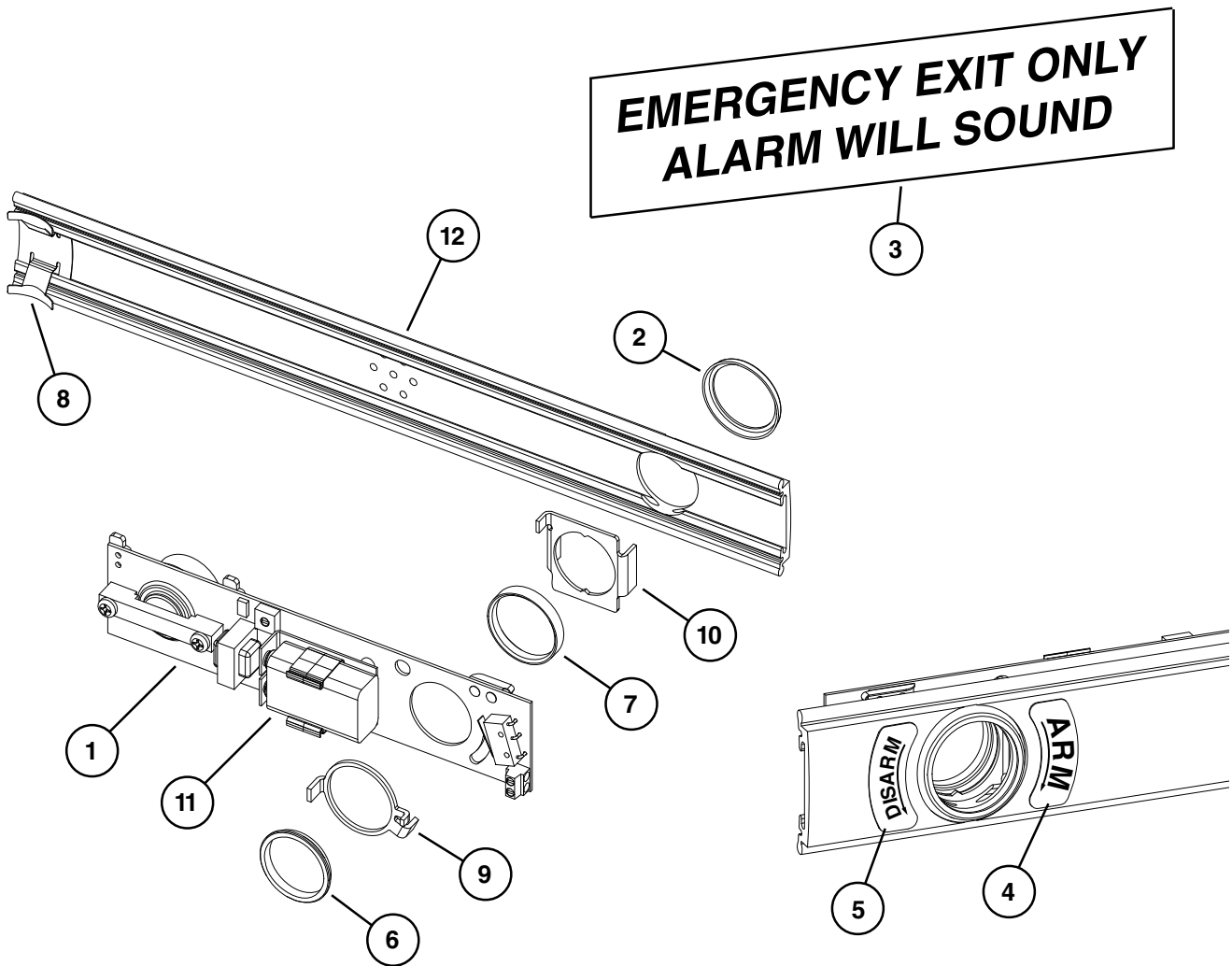
*Parts shown are for the CX-CD/SD option. For other available center case parts refer to page 11.



98/9927 ALK EXIT ALARM KIT

Item No.	Quantity	Part No.	Description	Finish
1	1	111795	ALK PCB Assembly	
2	1	050525	Cylinder Collar	X
3	1	969122	ALK Alarm Device Sign	
4	1	969349	ALK Arming Label	
5	1	969350	ALK Disarming Label	
6	1	969354	Retainer Nut	
7	1	970594	ALK Cylinder Spacer	
8	1	090036	Cover Plate Anti-rattle spring (Pkg of 10)	
9	1	971556	ALK Switch Actuator	
10	1	971557	ALK Cylinder Bracket	
11	1	990637	ALK Battery	
12	1	050569	99A Series ALK Cover Plate Kit	X
12	1	050570	98A Series ALK Cover Plate Kit	X

X in "Finish" column designates finished items; finish must be specified when ordering.

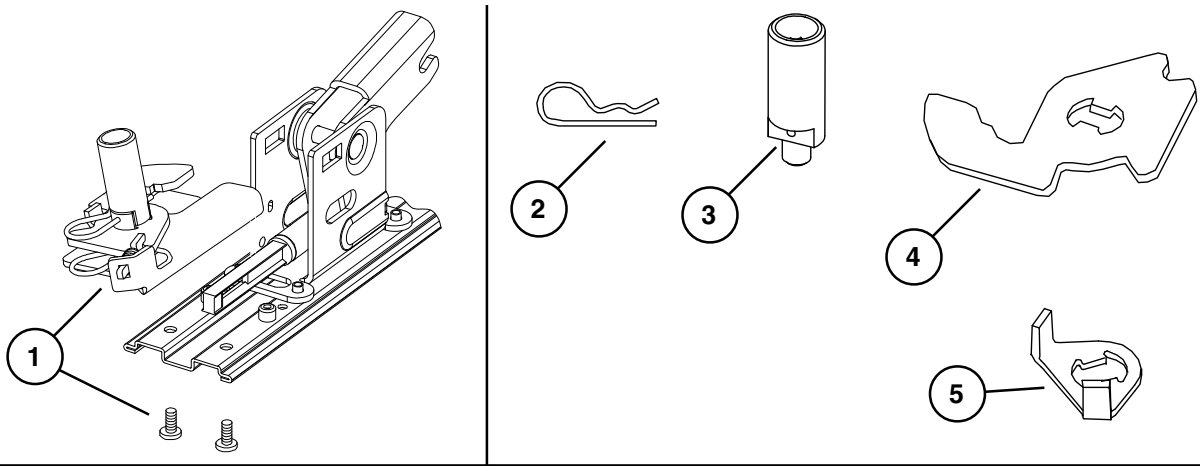


98/9927 SERIES SERVICE REPLACEMENT ITEMS

Item No.	Quantity	Part No.	Description	Finish
1	1	050153	Old Style Hex Dogging Replacement Kit	
2	1	963909	#22 Hitch Pin - Hex/CD Dogging Old Style	
3	1	968112	Old Style Hex Dog Shaft	
4	1	969941	Old Style Dogging Hook	
5	1	968116	Old Style CD Actuator Arm	
6	1	900905	Old Style End Cap and Bracket Assembly	X
7	1	970548	Old Style Cover Plate Stop - End Cap	
8	1	900901	Old Style End Cap Screw Package	X
9	1	971082	Old Style 98/99 End Cap - Stainless Steel	X
9	1	971083	Old Style 98/99 End Cap - Brass	X
9	1	971084	Old Style 98/99 End Cap - Bronze	X
9	1	971085	Old Style 98/99 End Cap - Aluminum	X

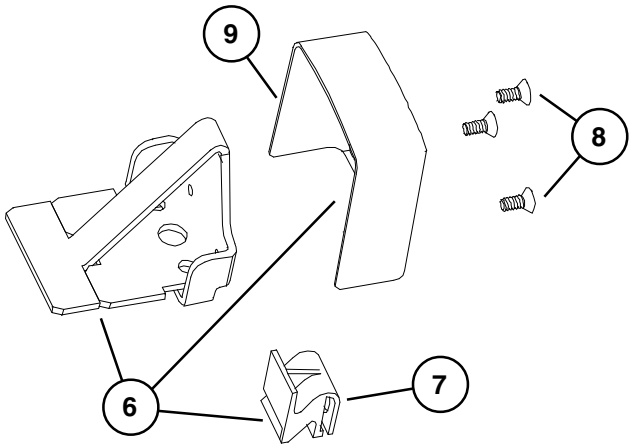
X in "Finish" column designates finished items; finish must be specified when ordering.

OLD STYLE DOGGING PARTS (FOR DEVICES SHIPPED BEFORE AUGUST 1997)



OLD STYLE END CAP PARTS (FOR DEVICES SHIPPED BEFORE JANUARY 2002)

Note: Newer style end cap kit shown on pages 4-5. Newer style end cap kit can be used on devices manufactured before January 2002, but mechanism case and cover plate on hinge stile must have a square cut and a clean edge.



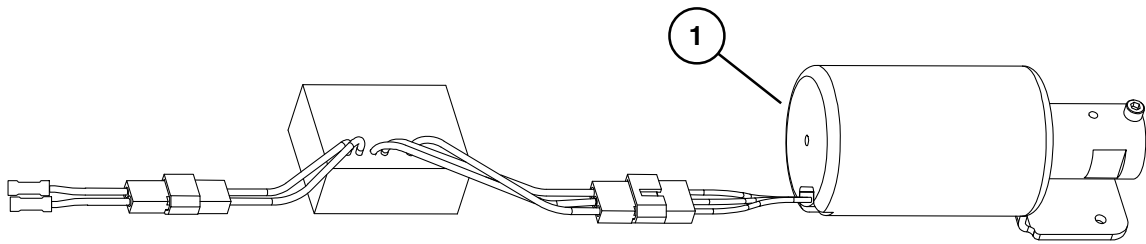
98/9927 SERIES SERVICE REPLACEMENT ITEMS

Item No.	Quantity	Part No.	Description	Finish
1	1	050218	EL Solenoid Replacement Kit	

X in "Finish" column designates finished items; finish must be specified when ordering.

EL SOLENOID REPLACEMENT KIT (FOR DEVICES SHIPPED BEFORE JANUARY 1987)

Note: This kit replaces the old style EL solenoid parts with the new style.

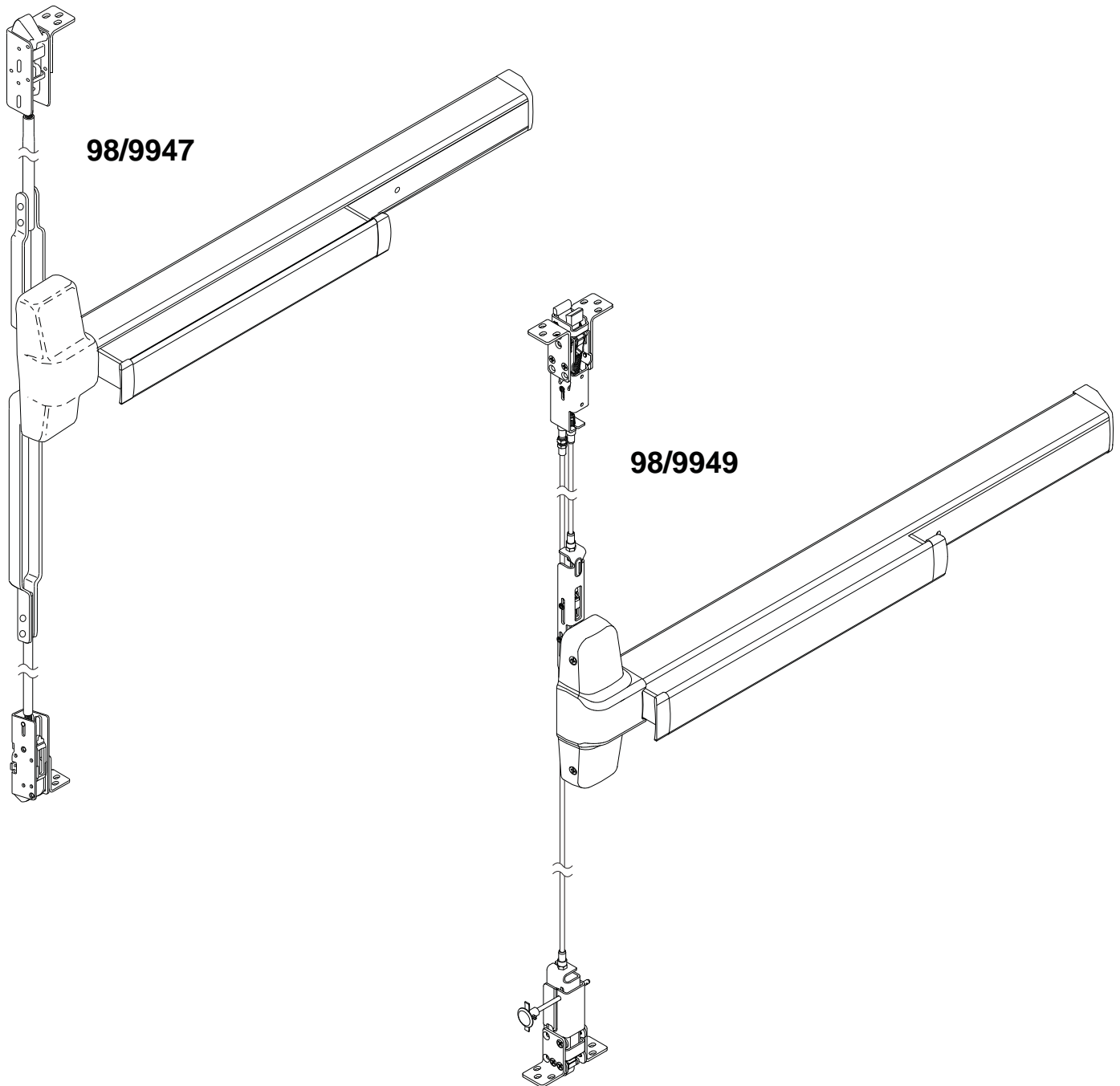


VON DUPRIN®

PARTS MANUAL

JUNE 2012

98/9947 & 98/9949 SERIES EXIT DEVICES



INDEX

98/9947 & 98/9949 Devices	
Basic Device	4-5
Panic and Fire Metal Door Concealed Vertical Rods and Latches	6-7
WDC Wood Door Concealed Vertical Rods and Latches	8-9
Panic and Fire Metal Door Concealed Vertical Cables and Latches	10-11
WDC Wood Door Concealed Vertical Cables and Latches	12-13
Cable Assemblies	14-15
Baseplate Assembly	16
Center Case Assembly	17
LBR (Less Bottom Rod) / LBL (Less Bottom Latch) Fire Latch Kit	17
 Variations of the Basic Device	
CD (Cylinder Dogging)	4-5
HD-EL (Hex Dogging/Electric Latch Retraction)	18
EL (Electric Latch Retraction)	19
SS (Signal Switch)	19
RX (Request to Exit)	20-21
LX (Latch Bolt Monitoring)	20-21
CX Chexit	22
CX-CD/SD	23
ALK Exit Alarm Kit	24
 Service Replacement Items	25-26
 General Information	
Introduction	2
How to Order	2
Part Number Changes	2
Finishes	3
Outside Trim Functions	3
Strikes	3

INTRODUCTION

This manual contains a listing of replaceable parts and assemblies for the 98/9947 Concealed Vertical Rod Exit Devices and the 98/9949 Concealed Vertical Cable Exit Devices. 98 Series and 99 Series devices are almost identical. The 99 Series has a grooved case; the 98 series has a smooth case.

HOW TO ORDER

Some parts are sold separately. Other items are available as part of a kit or multiple quantity package. For the best possible service when ordering replacement parts or assemblies, please provide the following information:

- Part number or assembly number
- Description
- Quantity Needed
- Finish desired (if available finished)
- Date of original purchase (if known)

To find out the name of your local Von Duprin distributor or sales representative, contact:

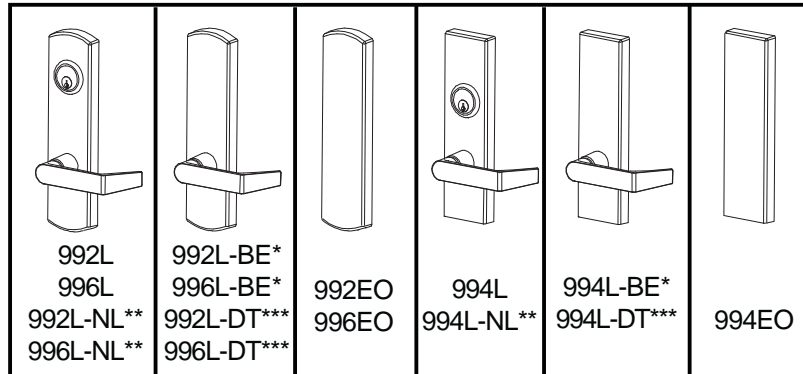
Von Duprin Division
Ingersoll Rand Company
2720 Tobey Drive
Indianapolis, IN 46219
Phone: 877-671-7011
Fax: 800-999-0328

PART NUMBER CHANGES

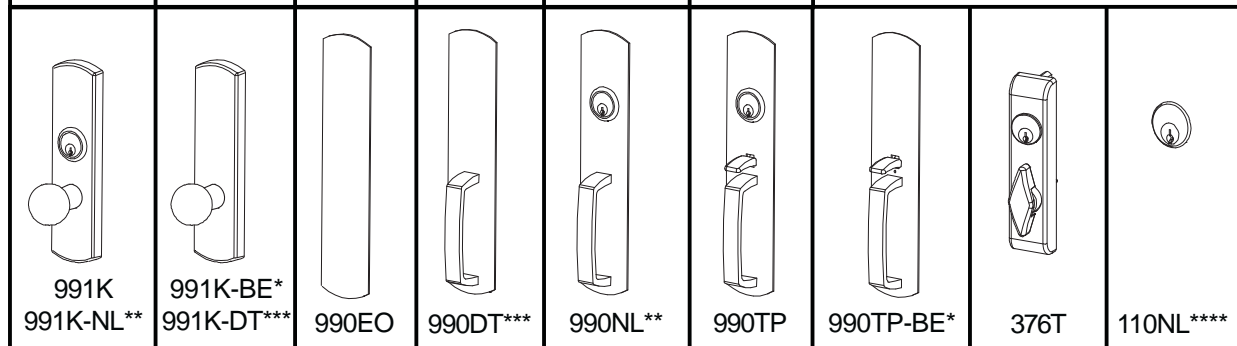
This manual reflects the product as sold in June 2012. Because of changes to the product and/or manufacturing process, part numbers can change.

98/99 SERIES FINISHES

OUTSIDE TRIM FUNCTIONS

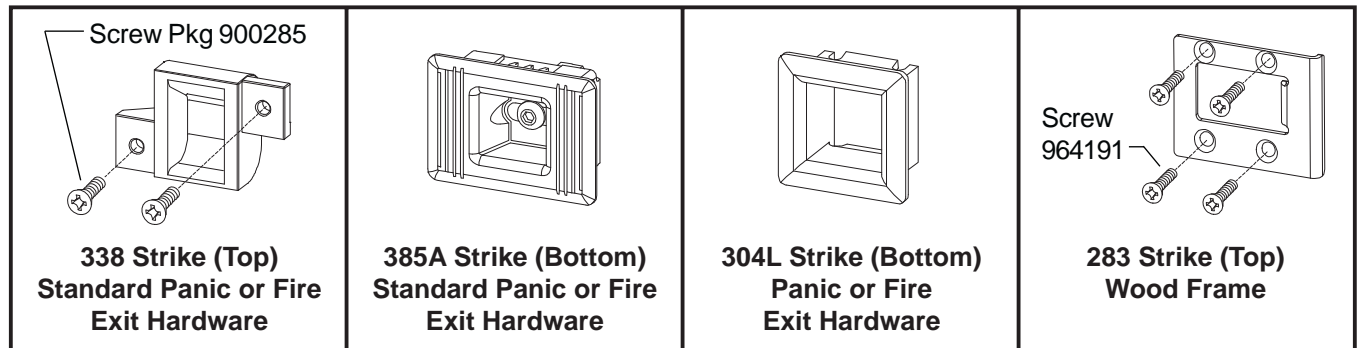


U.S. Std Reference	BHMA Reference	Description
US3	605	Polished Brass
US4	606	Dull Brass
US10	612	Dull Bronze
US15	619	Satin Nickel
US26	625	Polished Chrome
US26D	626	Dull Chrome
US28	628	Anodized Alum. (Clear)
US32D	630	Satin Stainless Steel
313AN	710	Anodized Alum. (313) Dark Bronze
315AN	711	Anodized Alum. (Black)

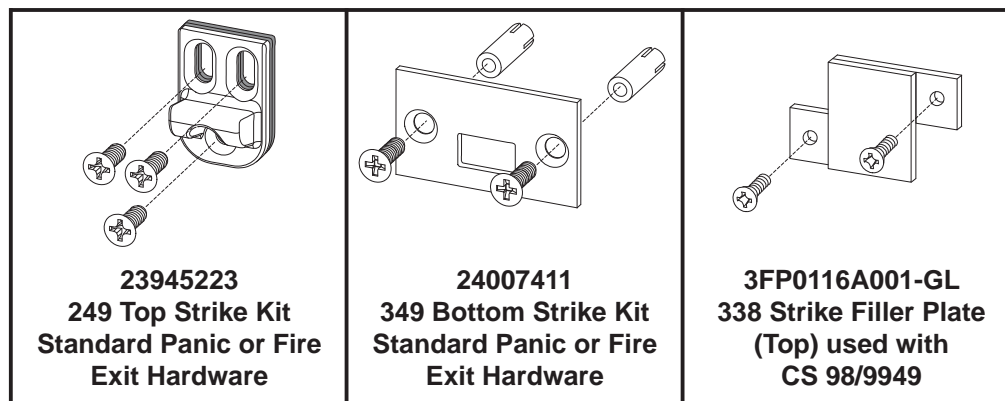


- * "BE" (Blank Escutcheon) no cylinder used - lever always active
- ** "NL" (Night Latch) rigid lever - key retracts latch bolt
- *** "DT" (Dummy Trim) rigid lever for pull operation
- **** Optional Pull needs to be added

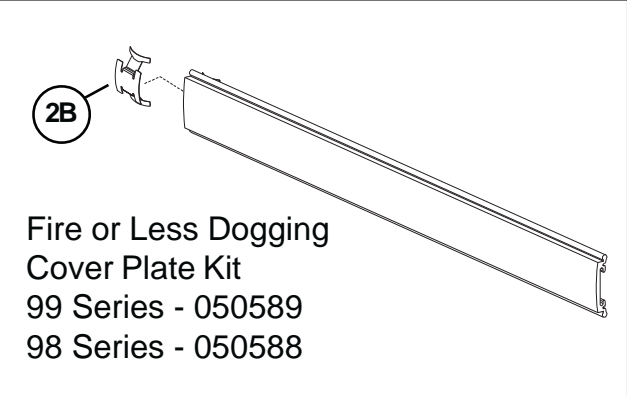
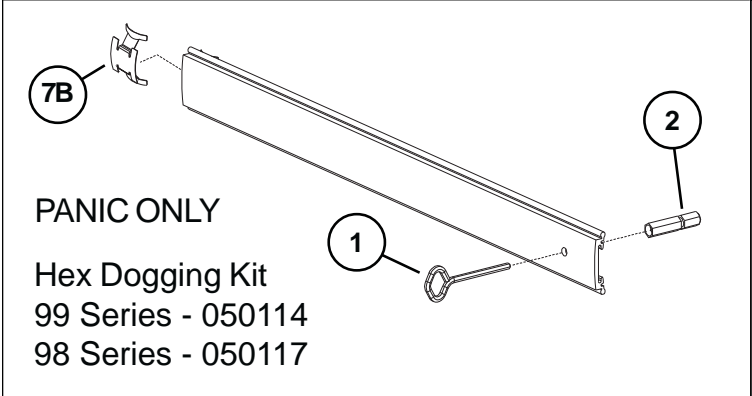
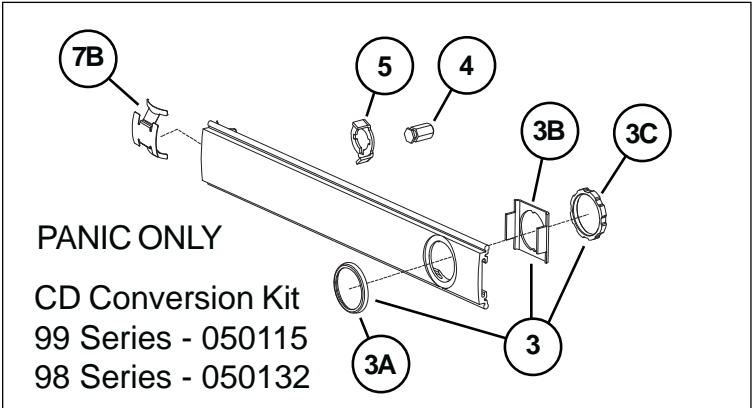
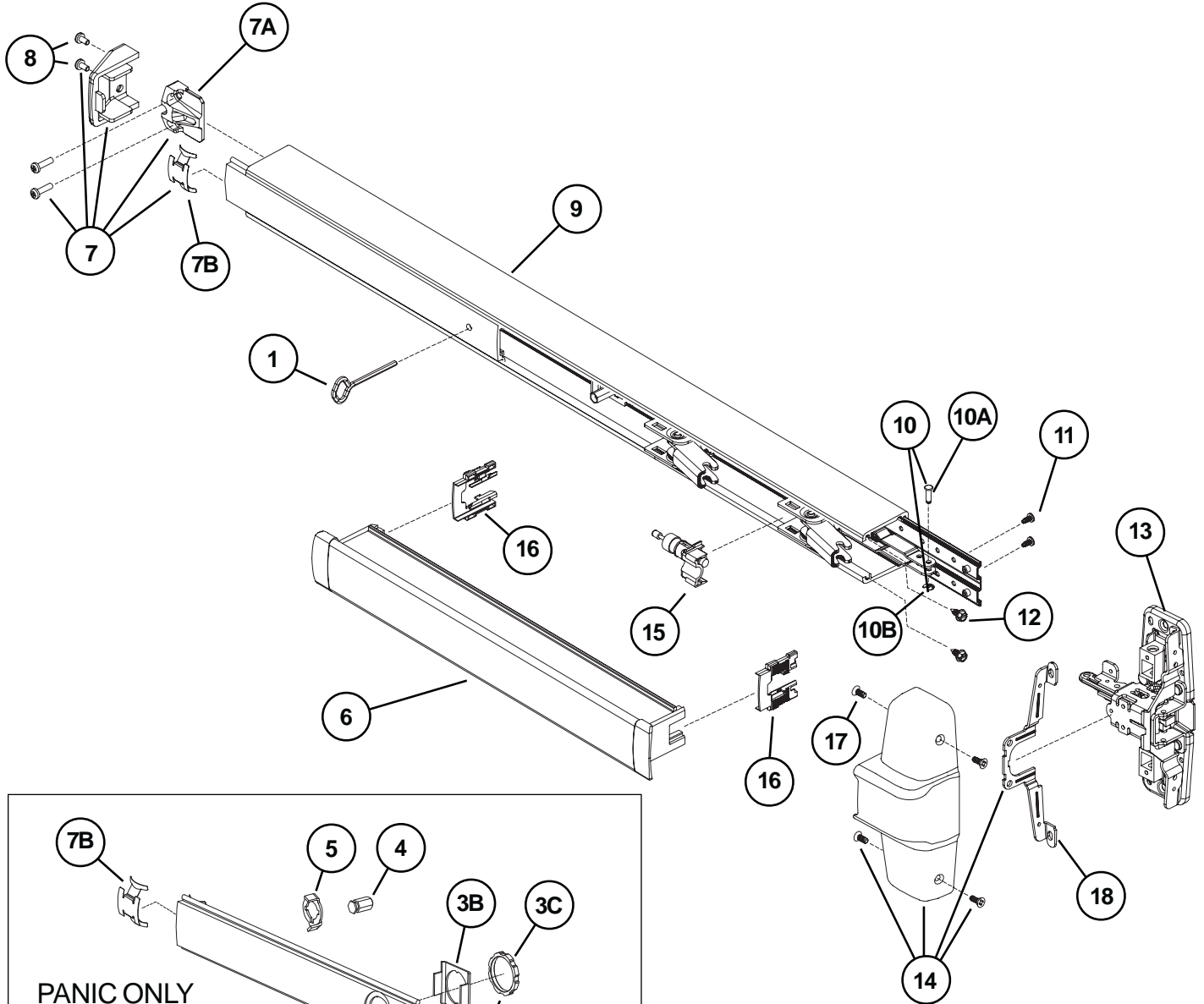
98/9947 STRIKES



98/9949 STRIKES



**98/9947 & 98/9949 PANIC DEVICE
98/9947-F & 98/9949-F FIRE DEVICE**



**98/9947 & 98/9949 PANIC DEVICE
98/9947-F & 98/9949-F FIRE DEVICE**

Item No.	Quantity	Part No.	Description	Finish
	1	900563	98/9947 & 98/9949 Series Mtg. Pkg. (1-3/4)	
	1	900568	98/9947 & 98/9949 Series Mtg. Pkg. (2-1/4)	
1	1	090085	227 Dog Key 5/32" Hex (Pkg of 10)	
1	1	090005	227 Dog Key 5/32" Hex (Pkg of 2)	
2	1	090040	Hex Dog Shaft (Pkg of 2)	
3	1	107813	Cylinder Mounting Pkg	X
3A	1	050525	Cylinder Collar	X
3B	1	050490	Cylinder Locating Washer - CD/SS	
3C	1	050526	Cylinder Locknut	
4	1	090046	CD Dogging Plug (Pkg of 2)	
5	1	090045	CD Actuator Arm (Pkg of 2)	
6	1	*PBKIT	98/99 Series Push Bar Retrofit Kit - 3' Door	X
6	1	*PBKIT	98/99 Series Push Bar Retrofit Kit - 4' Door	X
7	1	050014	98/99 Series End Cap Kit	X
7A	1	050524	Impact Resistant End Cap Bracket	
7B	1	090036	Cover Plate Anti-rattle Spring (Pkg of 10)	
8	1	900597	Device End Cap and C/Case Screw Pkg.	X
9	1	968144	99 Series Mechanism Case - 3' Door	X
9	1	968146	99 Series Mechanism Case - 4' Door	X
9	1	970191	98 Series Mechanism Case - 3' Door	X
9	1	970192	98 Series Mechanism Case - 4' Door	X
10	1	050529	98/99 Series Control Link Pin & Ret. Ring	
10A	1	090031	98/99 Series Control Link Pin (Pkg of 10)	
10B	1	090107	Retaining Ring (Pkg of 10)	
11	2	090037	#8-32 x 3/8" Baseplate Screw (Pkg of 10)	
12	2	090073	Mechanism Case Bracket Screw (Pkg of 10)	
13***	1	050022	98/9947-F & 98/9949-F C/Case Kit Less Cover	
14**	1	050073	98/9947-F & 98/9949-F C/Case Cover Kit	X
15	1	050491	Shock Absorber & Holder Assembly	
16	2	090049	Push Bar Guide (Pkg of 10)	
17	4	900892	Center Case Cover Screws (Pkg of 4)	X
18	1	050564	Center Case Cover Bracket	

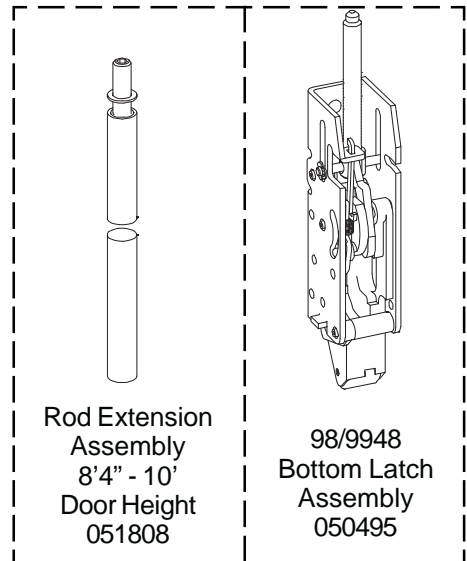
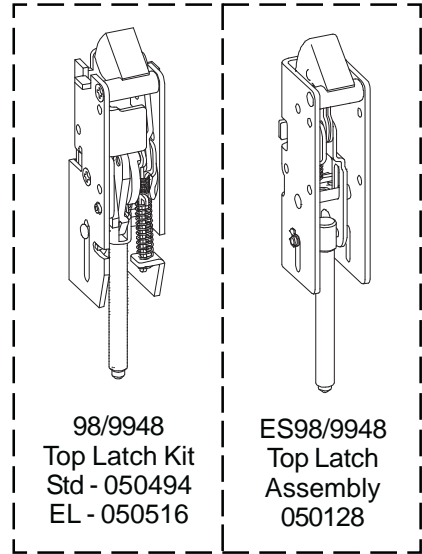
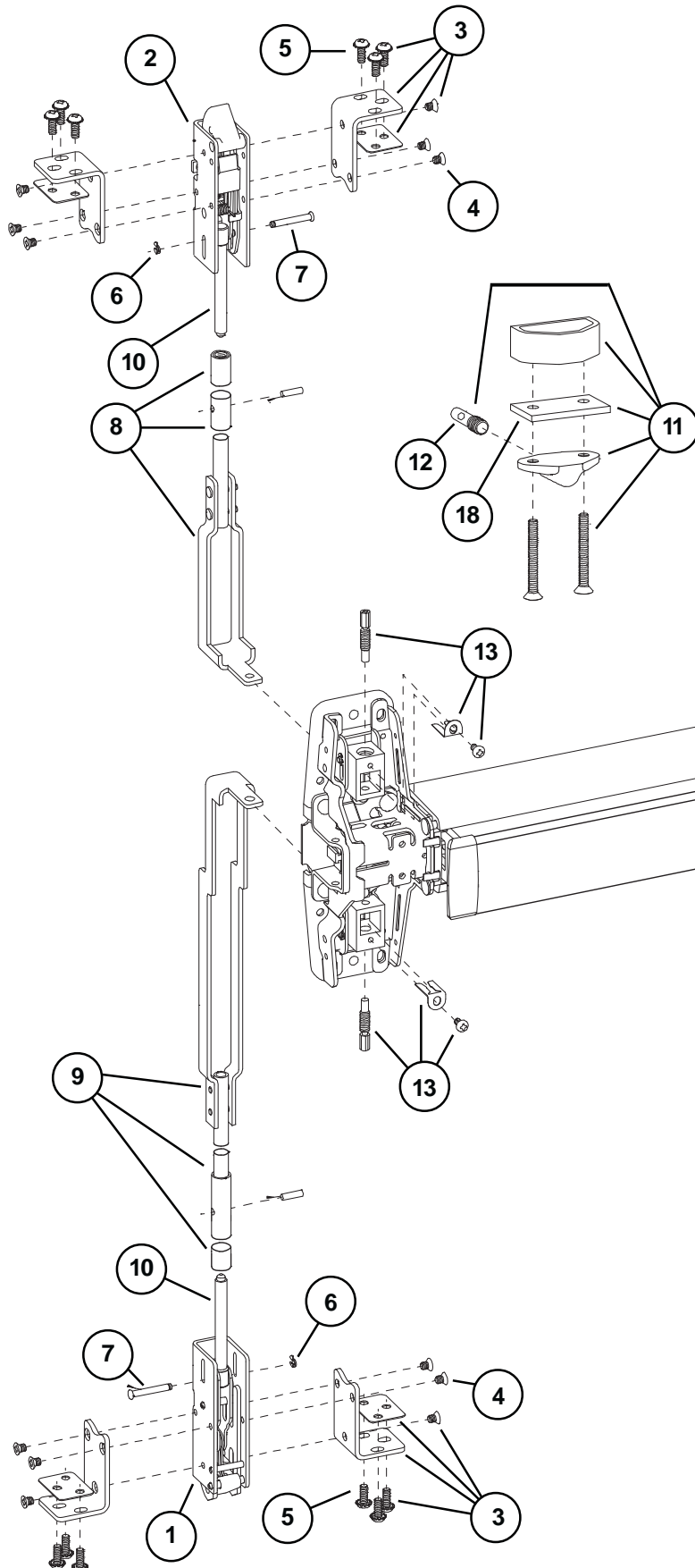
X in "Finish" column designates finished items; finish must be specified when ordering.

* To order, specify device type, size, and finish. Example: PBKIT 98 3' US28

**Includes parts for three-piece cover conversion.

***Center case assembly parts shown on page 17.

98/9947 & 98/9947-F METAL DOOR VERTICAL RODS AND LATCHES



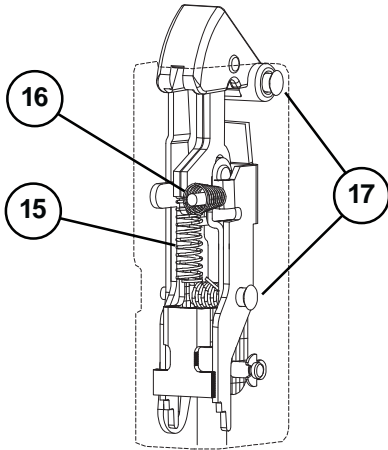
98/9947 & 98/9947-F METAL DOOR VERTICAL RODS AND LATCHES

Item No.	Quantity	Part No.	Description	Finish
*	1	050047	98/9948 Latch Retrofit Kit-(non EL)	
*	1	050048	98/9948-F Latch Retrofit Kit-(non EL)	
*	1	050522	EL98/9948 Latch Retrofit Kit	
*	1	050523	EL98/9948-F Latch Retrofit Kit	
1**	1	050493	98/9947 Bottom Latch Kit	
2**	1	050492	98/9947 Top Latch Kit	
3**	2	109324	98/9947 Latch Mtg Bracket	
3**	2	112868	98/9948 Latch Mtg Bracket	
4	6	090059	Latch Bracket Mtg Screw (Latch)	
5	6	090061	Latch Bracket Mtg Screw (Metal Door)	
5	6	900856	Latch Bracket Mtg Screw (Wood Door)	
6	2	090063	Retaining Ring (Pkg of 10)	
7	2	090064	Latch Link Pin (Pkg of 10)	
8	1	050574	Adjustable Top Rod 6'8" - 8'4" Door	
9	1	050575	Adjustable Bottom Rod Kit	
10	2	090071	98/9947 Rod Connecting Screw (Pkg of 2)	
10	2	090072	98/9948 Rod Connecting Screw (Pkg of 2)	
11	1	106222	Ratchet Release Pkg	X
12	1	090070	Ratchet Release Screw	
13	2	109811	98/9947 Adjusting Screw Package (Pkg of 2)	
13	2	900898	98/9947 Adjusting Screw LBR Package	
14	1	090065	Bolt Return Spring (Pkg of 10)	
15	1	090066	Top Latch Compression Spring (Pkg of 10)	
16	1	090069	Ratchet Lever Spring (Pkg of 2)	
17	1	090062	Btm Latch Case Spirol Pin (Pkg of 10)	
18	1	970978	98/9947 Ratchet Release Spacer	

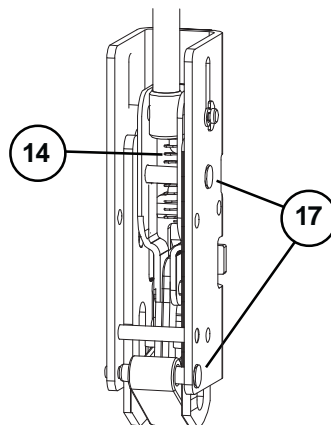
X in "Finish" column designates finished items; finish must be specified when ordering.

*Retrofit kit includes items 1-3 to convert 98/9947 to 98/9948.

**Each latch kit (item 1-2) includes only one latch mtg bracket (item 3). Panic device uses only 1 mounting bracket per latch while Fire (F) device uses 2 per latch. For service replacement only. Refer to retrofit kits to convert 98/9947 to 98/9948.

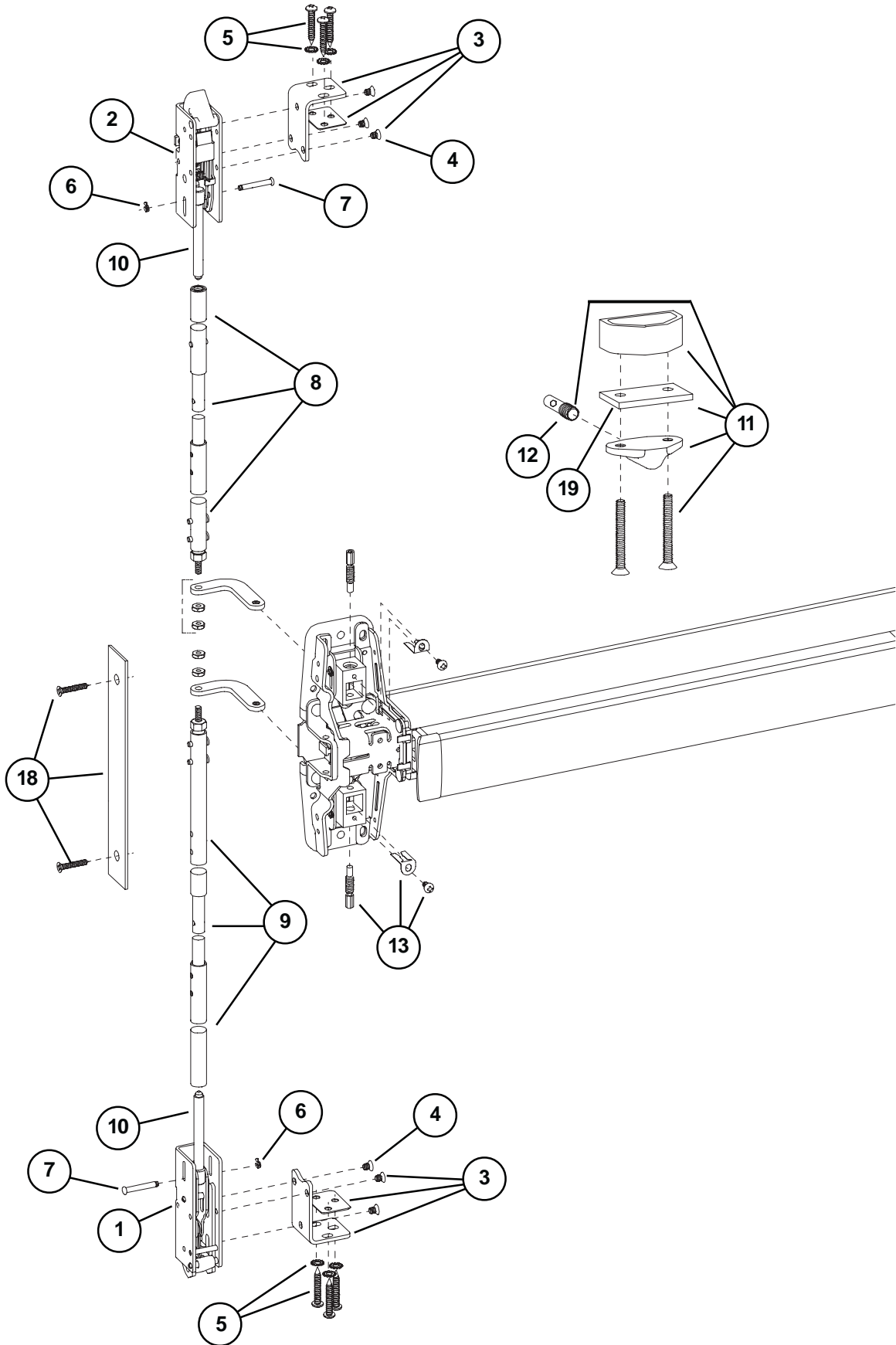


98/9947 Top Latch



98/9947 Bottom Latch

98/9947 & 98/9947-F WDC (WOOD DOOR CONCEALED) VERTICAL RODS AND LATCHES

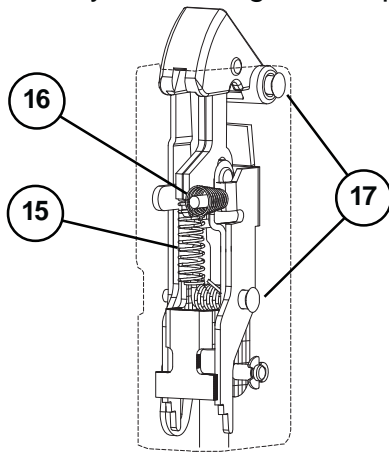


98/9947 & 98/9947-F WDC (WOOD DOOR CONCEALED) VERTICAL RODS AND LATCHES

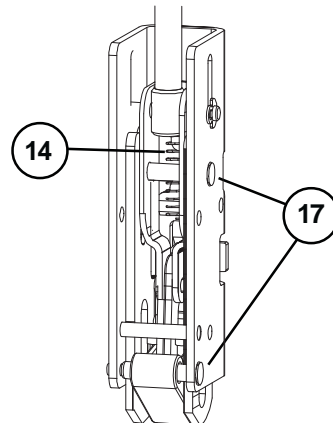
Item No.	Quantity	Part No.	Description	Finish
1*	1	050493	98/9947 Bottom Latch Kit	
2*	1	050492	98/9947 Top Latch Kit	
3*	2	109324	98/9947 Latch Mtg Bracket	
4	6	090059	Latch Bracket Mtg Screw (Latch)	
5	1	900856	WDC Auxiliary Mtg. Package	
6	2	090063	Retaining Ring (Pkg of 10)	
7	2	090064	Latch Link Pin (Pkg of 10)	
8	1	050582	WDC Adjustable Top Rod 6'8" - 8'4" Door	
9	1	050583	WDC Adjustable Bottom Rod Kit	
10	2	090071	98/9947 Rod Connecting Screw (Pkg of 2)	
10	2	090072	98/9948 Rod Connecting Screw (Pkg of 2)	
11	1	106222	Ratchet Release Pkg	X
12	1	090070	Ratchet Release Screw (Pkg of 2)	
13	2	109811	98/9947/48 Rod Adjust Pkg	
13	1	900898	LBR Adjusting Screw Pkg	
14	1	090065	Bolt Return Spring (Pkg of 10)	
15	1	090066	Top Latch Compression Spring (Pkg of 10)	
16	1	090069	Ratchet Lever Spring (Pkg of 2)	
17	1	090062	Btm Latch Case Spirol Pin (Pkg of 10)	
18	1	050088	98/9947WDC & 98/9949WDC Scalp Plate	X
19	1	970978	98/9947 Ratchet Release Spacer	

X in "Finish" column designates finished items; finish must be specified when ordering.

*Each latch kit (item 1-2) includes only one latch mtg bracket (item 3). All WDC devices require only 1 mounting bracket per latch.

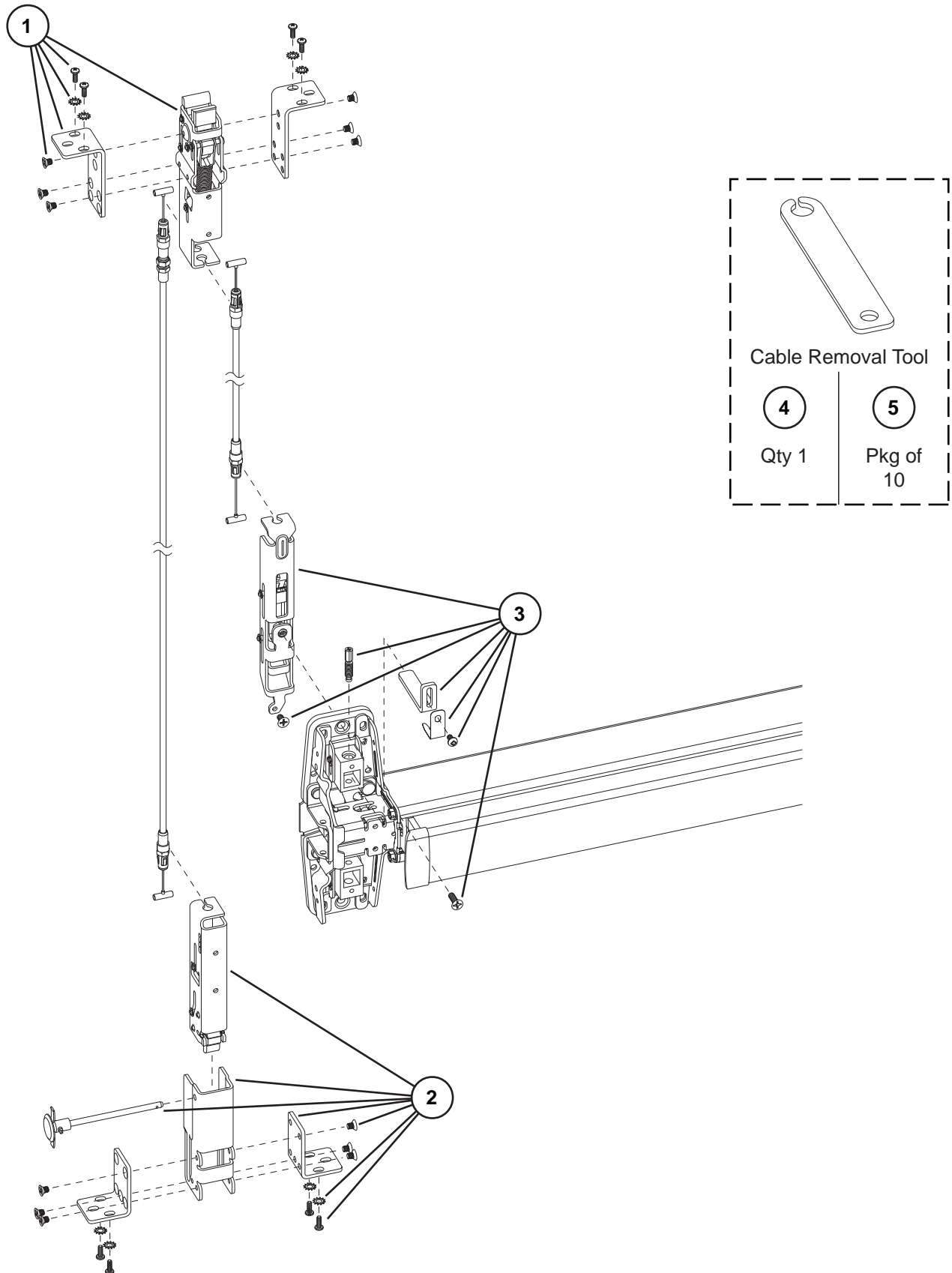


98/9947 Top Latch



98/9947 Bottom Latch

98/9949 & 98/9949-F METAL DOOR VERTICAL CABLES AND LATCHES



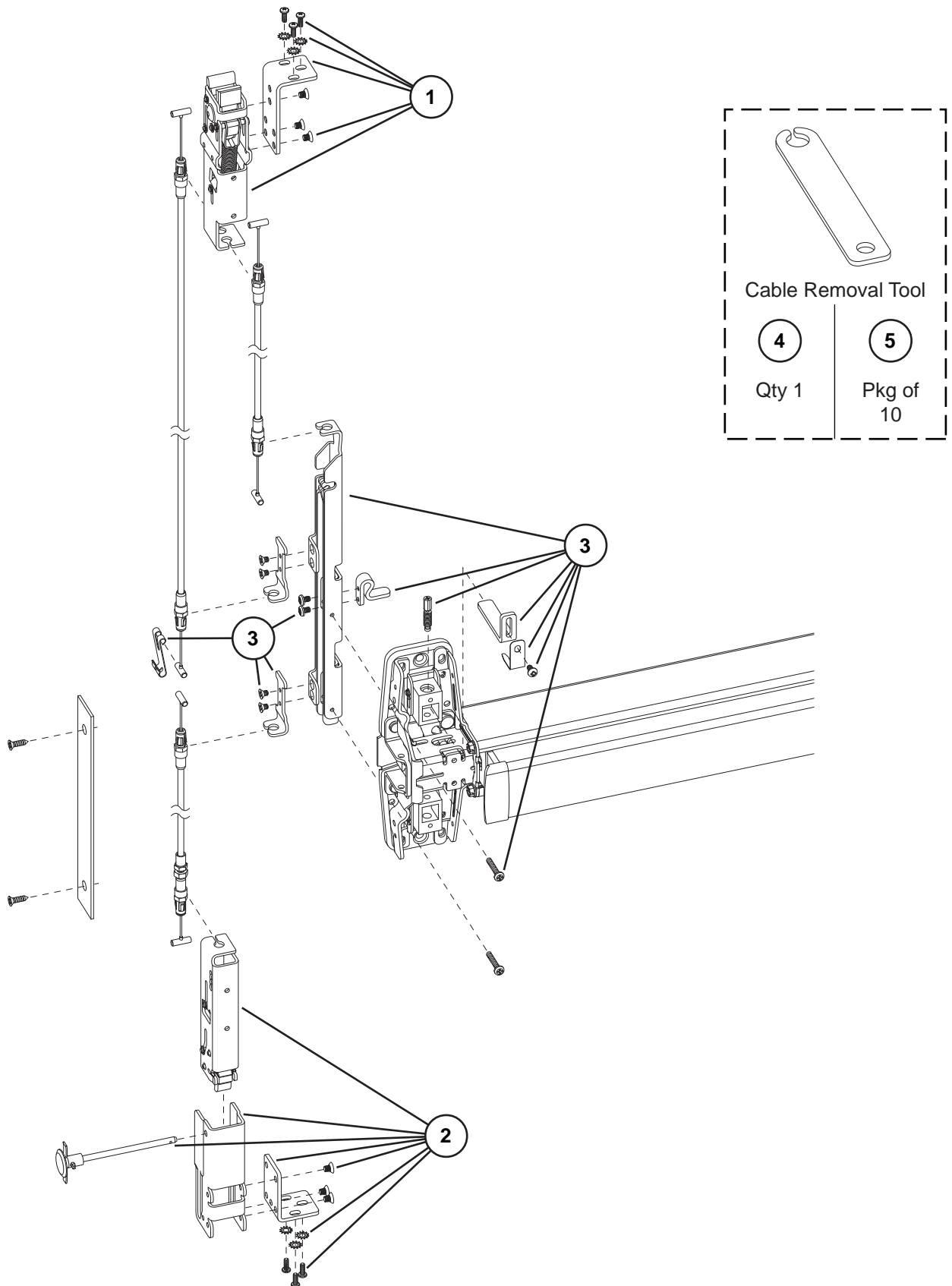
98/9949 & 98/9949-F METAL DOOR VERTICAL CABLES AND LATCHES

Item No.	Quantity	Part No.	Description	Finish
1*	1	24090110	Top Latch Assembly	
2	1	23905821	Bottom Latch Assembly	
3	1	24090144	98/9949 Center Slide Assembly (Metal Door)	
4	1	24008773	Cable Removal Tool	
5	10	24090706	Cable Removal Tool (Pkg of 10)	

*A cable removal tool is included with the assembly.

Each latch assembly includes two latch mounting brackets.
See page 14 for 98/9949 metal door cable assemblies.

98/9949 & 98/9949-F WDC (WOOD DOOR CONCEALED) VERTICAL CABLES AND LATCHES



**98/9949 & 98/9949-F WDC (WOOD DOOR CONCEALED)
VERTICAL CABLES AND LATCHES**

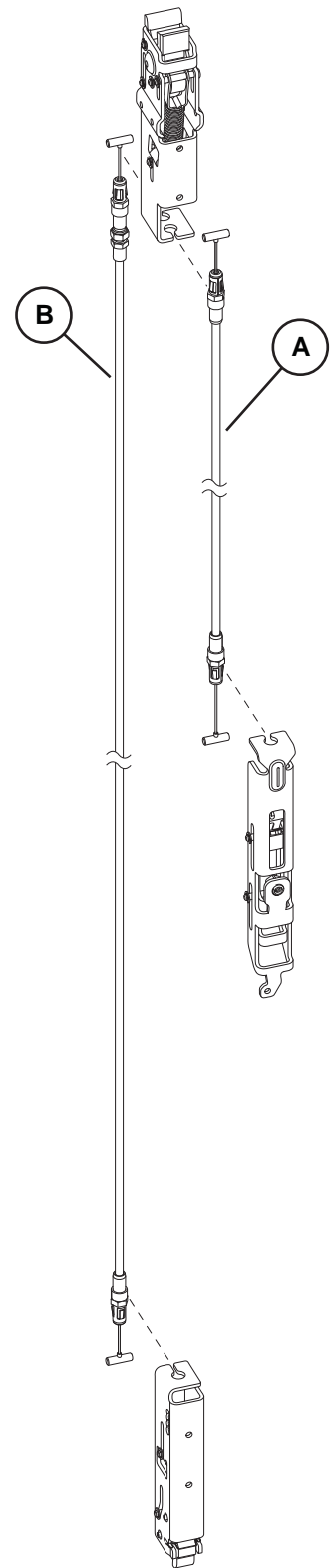
Item No.	Quantity	Part No.	Description	Finish
1*	1	24090110	Top Latch Assembly	
2	1	23905821	Bottom Latch Assembly	
3	1	24090151	98/9949 Center Slide Assembly (WDC)	
4	1	24008773	Cable Removal Tool	
5	10	24090706	Cable Removal Tool (Pkg of 10)	

*A cable removal tool is included with the assembly.

Each latch assembly includes two latch mounting brackets.
See page 15 for 98/9949 wood door cable assemblies.

98/9949, 98-9949-F
CABLE ASSEMBLIES - METAL DOOR

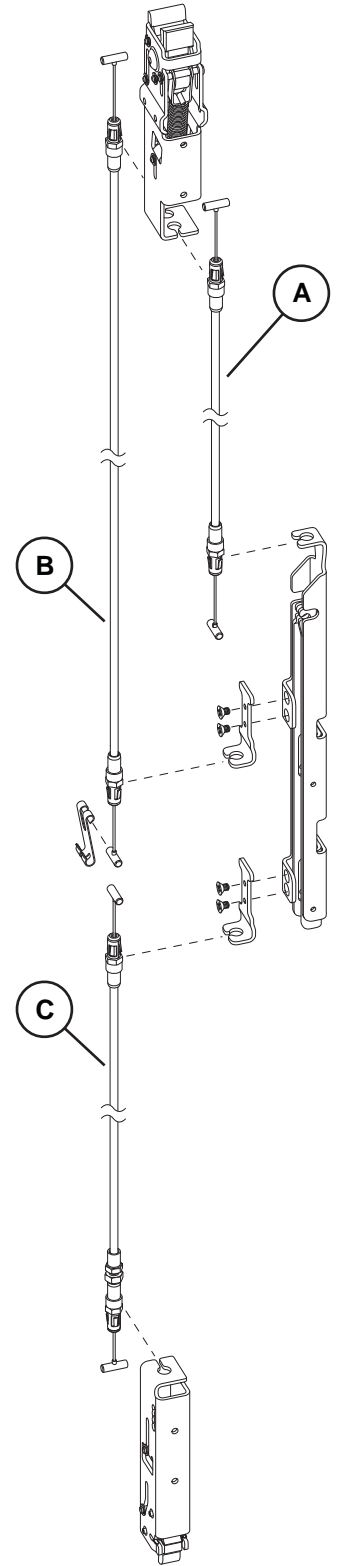
Door Opening Height	Part Numbers	
	Top Cable (A)	Bottom Cable (B)
126"	24009359 (73")	24009417 (115")
125"	24009342 (72")	24009409 (114")
124"	24009334 (71")	24009391 (113")
123"	24009326 (70")	24009383 (112")
122"	24009318 (69")	24009375 (111")
121"	24009300 (68")	24009367 (110")
120"	23925407 (67")	23925811 (109")
119"	23925415 (66")	23925829 (108")
118"	23925423 (65")	23925837 (107")
117"	23925431 (64")	23925845 (106")
116"	23925449 (63")	23925852 (105")
115"	23925456 (62")	23925860 (104")
114"	23925464 (61")	23925878 (103")
113"	23925472 (60")	23925886 (102")
112"	23925480 (59")	23925894 (101")
111"	23925498 (58")	23925902 (100")
110"	23925506 (57")	23925910 (99")
109"	23925514 (56")	23925928 (98")
108"	23925522 (55")	23925936 (97")
107"	23925530 (54")	23925944 (96")
106"	23925548 (53")	23925951 (95")
105"	23925555 (52")	23925969 (94")
104"	23925563 (51")	23925977 (93")
103"	23925571 (50")	23925985 (92")
102"	23925589 (49")	23925993 (91")
101"	23925597 (48")	23926009 (90")
100"	23925605 (47")	23926017 (89")
99"	23925613 (46")	23926025 (88")
98"	23925621 (45")	23926033 (87")
97"	23925639 (44")	23926041 (86")
96"	23925647 (43")	23926058 (85")
95"	23925654 (42")	23926066 (84")
94"	23925662 (41")	23926074 (83")
93"	23925670 (40")	23926082 (82")
92"	23925688 (39")	23926090 (81")
91"	23925696 (38")	23926108 (80")
90"	23925704 (37")	23926116 (79")
89"	23925712 (36")	23926124 (78")
88"	23925720 (35")	23926132 (77")
87"	23925738 (34")	23926140 (76")
86"	23925746 (33")	23926157 (75")
85"	23925753 (32")	23926165 (74")
84"	23925761 (31")	23926173 (73")
83"	23925779 (30")	23926181 (72")
82"	23925787 (29")	23926199 (71")
81"	23925795 (28")	23926207 (70")
80"	23925803 (27")	23926215 (69")



Standard cable lengths (in stock)
 Non-standard lengths are also available.
 Please consult factory for lead times.

98/9949WDC, 98-9949WDC-F CABLE ASSEMBLIES - WOOD DOOR

Door Opening Height	Part Numbers		
	Top Cable (A)	Upper Bottom Cable (B)	Lower Bottom Cable (C)
120"	23925423 (65")	24009334 (71")	24078453 (33")
119"	23925431 (64")	24009326 (70")	
118"	23925449 (63")	24009318 (69")	
117"	23925456 (62")	24009300 (68")	
116"	23925464 (61")	23925407 (67")	
115"	23925472 (60")	23925415 (66")	
114"	23925480 (59")	23925423 (65")	
113"	23925498 (58")	23925431 (64")	
112"	23925506 (57")	23925449 (63")	
111"	23925514 (56")	23925456 (62")	
110"	23925522 (55")	23925464 (61")	
109"	23925530 (54")	23925472 (60")	
108"	23925548 (53")	23925480 (59")	
107"	23925555 (52")	23925498 (58")	
106"	23925563 (51")	23925506 (57")	
105"	23925571 (50")	23925514 (56")	
104"	23925589 (49")	23925522 (55")	
103"	23925597 (48")	23925530 (54")	
102"	23925605 (47")	23925548 (53")	
101"	23925613 (46")	23925555 (52")	
100"	23925621 (45")	23925563 (51")	
99"	23925639 (44")	23925571 (50")	
98"	23925647 (43")	23925589 (49")	
97"	23925654 (42")	23925597 (48")	
96"	23925662 (41")	23925605 (47")	
95"	23925670 (40")	23925613 (46")	
94"	23925688 (39")	23925621 (45")	
93"	23925696 (38")	23925639 (44")	
92"	23925704 (37")	23925647 (43")	
91"	23925712 (36")	23925654 (42")	
90"	23925720 (35")	23925662 (41")	
89"	23925738 (34")	23925670 (40")	
88"	23925746 (33")	23925688 (39")	
87"	23925753 (32")	23925696 (38")	
86"	23925761 (31")	23925704 (37")	
85"	23925779 (30")	23925712 (36")	
84"	23925787 (29")	23925720 (35")	
83"	23925795 (28")	23925738 (34")	
82"	23925803 (27")	23925746 (33")	
81"	24051039 (26")	23925753 (32")	
80"	24078495 (25")	23925761 (31")	

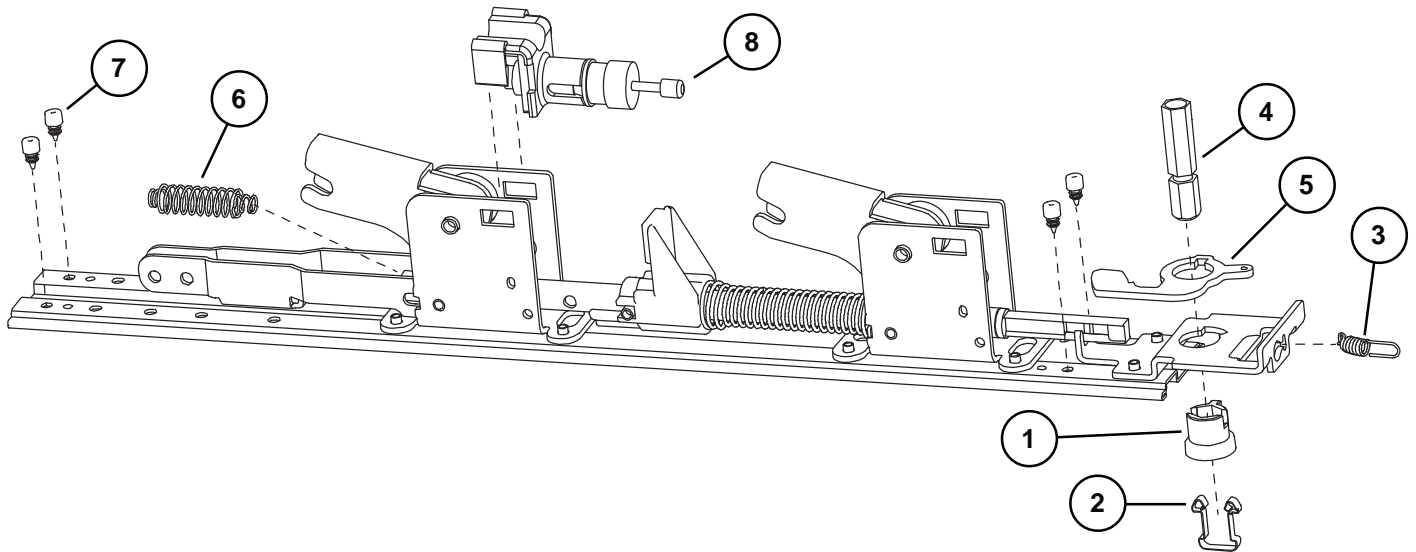


Standard cable lengths (in stock)

Non-standard lengths are also available. Please consult factory for lead times.

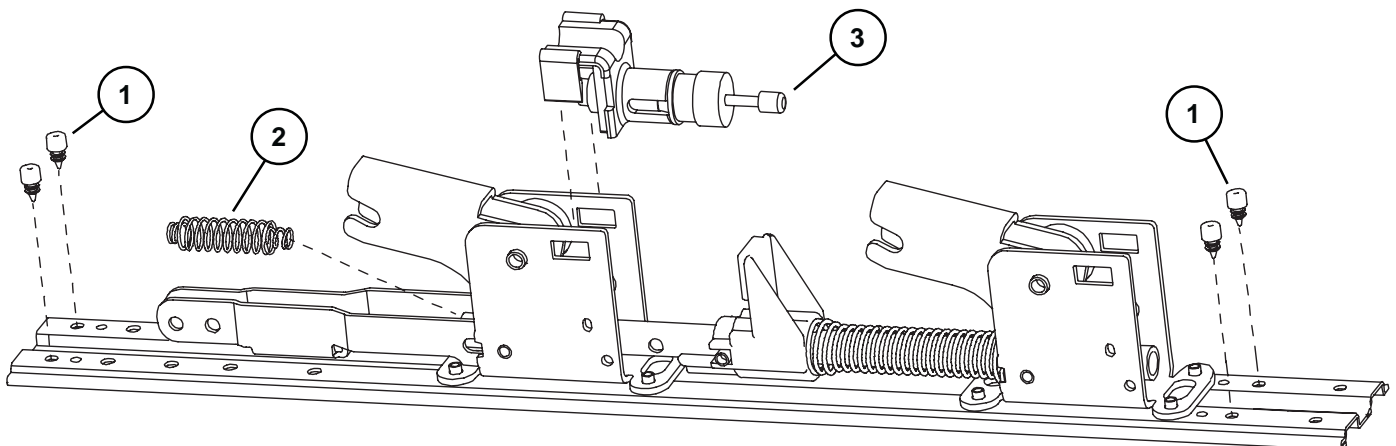
98/9947 & 98/9949 PANIC DEVICE BASEPLATE ASSEMBLY

Item No.	Quantity	Part No.	Description	Finish
1	1	090043	Dogging adapter (Pkg of 2)	
2	1	090042	Dogging adapter spring (Pkg of 2)	
3	1	090041	Dogging spring (Pkg of 2)	
4	1	090040	Hex dogging shaft (Pkg of 2)	
5	1	090044	Dogging hook (Pkg of 2)	
6	1	090039	Latch return spring (Pkg of 10)	
7	4	090038	Rubber bumper (Pkg of 4)	
8	1	050491	Shock absorber	



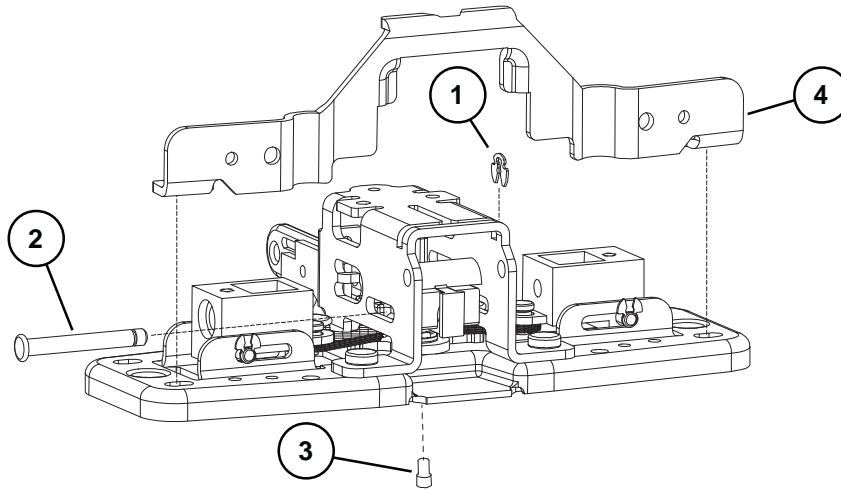
98/9947-F & 98/9949-F FIRE DEVICE BASEPLATE ASSEMBLY

Item No.	Quantity	Part No.	Description	Finish
1	4	090038	Rubber bumper (Pkg of 4)	
2	1	090039	Latch return spring (Pkg of 10)	
3	1	050491	Shock absorber	



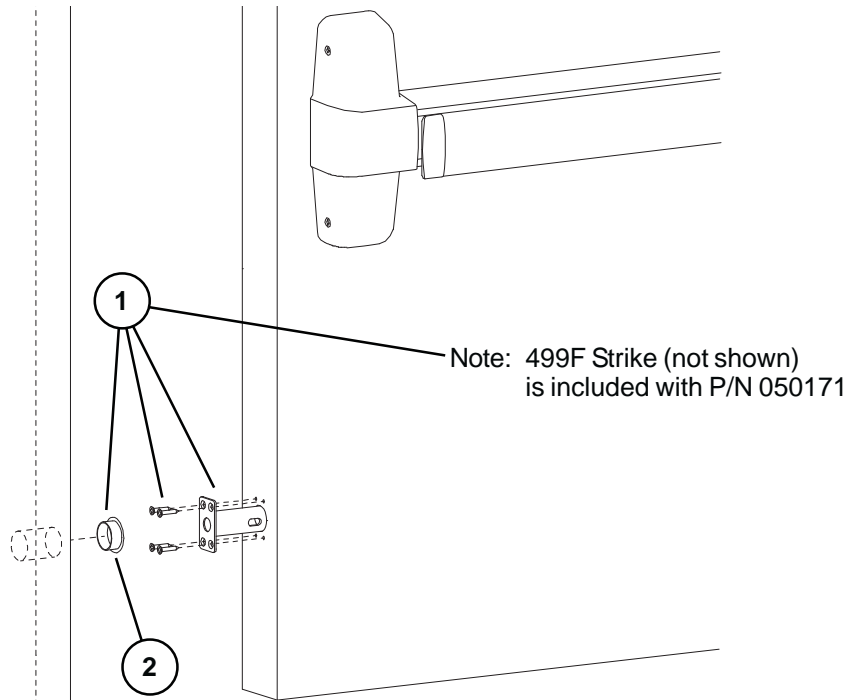
98/9947 & 98/9949 DEVICE CENTER CASE ASSEMBLY

Item No.	Quantity	Part No.	Description	Finish
1	2	090107	Retaining Ring (Pkg of 10)	
2	2	090079	Latch Bolt Pin (Pkg of 10)	
3	1	090074	NL Drive Screw (Pkg of 10)	
4	1	050565	Center Case Reinforcing Bracket	



98/9947-F LBR (LESS BOTTOM ROD) 98/9949-F LBL (LESS BOTTOM LATCH) FIRE LATCH KIT

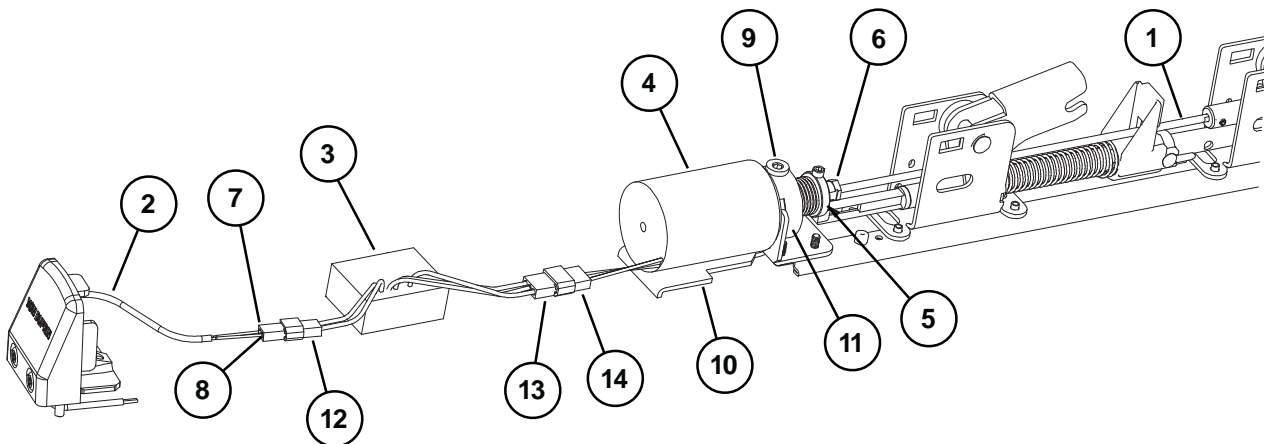
Item No.	Quantity	Part No.	Description	Finish
1	1	050171	LBR/LBL Fire Latch/Strike kit	
2	1	050509	LBR/LBL Fire Strike Plug	



**HD-EL9847/HD-EL9947 & HD-EL9849/HD-EL9949
HEX DOGGING/ELECTRIC LATCH
RETRACTION OPTION - PANIC DEVICE ONLY**

Item No.	Quantity	Part No.	Description	Finish
1	1	050531	EL Dogging Rod Kit - 3' Device	
1	1	050532	EL Dogging Rod Kit - 4' Device	
2	1	110388	EL 6' Cable and Connector	
3	1	050534	EL Potted Circuit Breaker	
4	1	050536	HD-EL Solenoid	
5	1	050537	HD-EL Solenoid Plunger	
6	1	050538	EL Dogging Rod Retainer	
7	1	050539	EL Receptacle Connector - 2 Position	
8	2	050540	EL Female Terminal	
9	1	050541	HD-EL Dog Screw	
10	1	050542	HD-EL Solenoid Bracket	
11	1	050543	HD-EL Dogging Spring	
12	1	990599	EL Plug Connector - 2 Position	
13	1	990857	EL Receptacle Connector - 3 Position	
14	1	990858	EL Plug Connector - 3 Position	
*	1	050384	HD-EL Conversion Kit - 3'	
*	1	050385	HD-EL Conversion Kit - 4'	

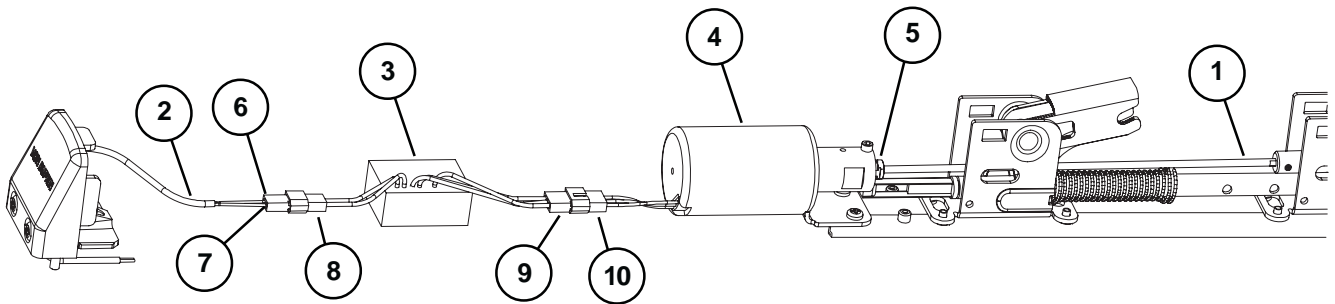
*Kit includes items 1-11 plus new control link, retaining ring, and baseplate screws.



EL9847/EL9947 & EL9849/EL9949 SERIES ELECTRIC LATCH RETRACTION OPTION

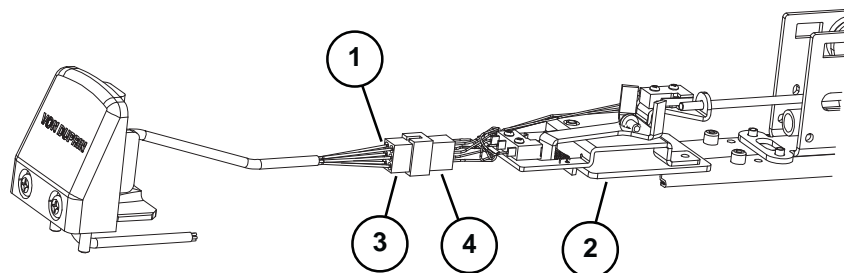
Item No.	Quantity	Part No.	Description	Finish
1	1	050531	EL Dogging Rod Kit - 3' device	
1	1	050532	EL Dogging Rod Kit - 4' device	
2	1	110388	EL 6' Cable and Connector	
3	1	050534	EL Potted Circuit Breaker	
4	1	050535	EL Solenoid Assembly	
5	1	050538	EL Dogging Rod Retainer	
6	1	050539	EL Receptacle Connector	
7	2	050540	EL Female Terminal	
8	1	990599	EL Plug Connector - 2 Position	
9	1	990857	EL Receptacle Connector - 3 Position	
10	1	990858	EL Plug Connector - 3 Position	
*	1	050070	EL Conversion Kit - 3'	
*	1	050078	EL Conversion Kit - 4'	

*Kit includes items 1-7 plus new control link pin, retaining ring, and baseplate screws.

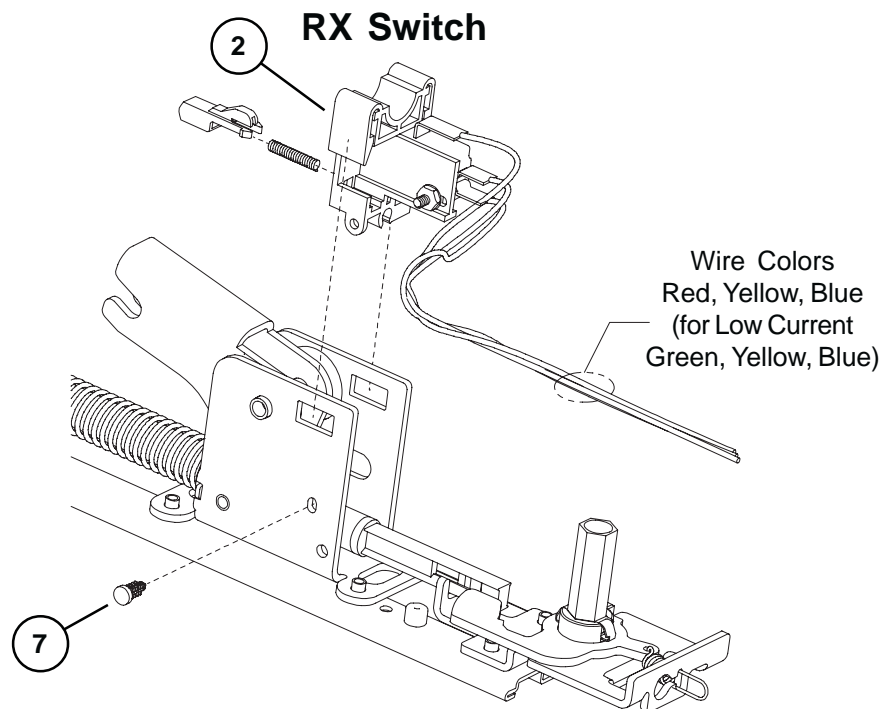
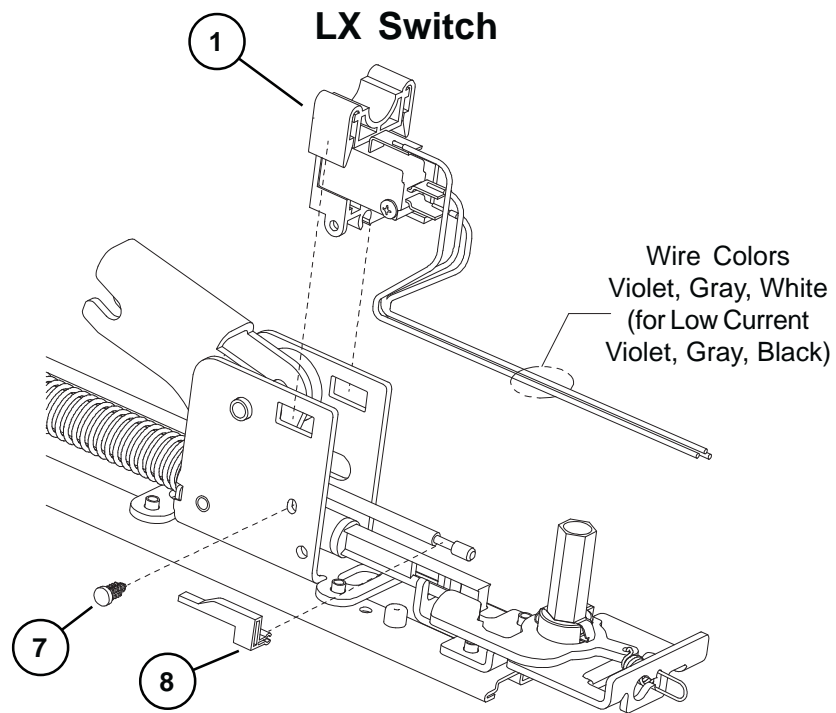


SS9847/SS9947 & SS9849/SS9949 SERIES SIGNAL SWITCH OPTION

Item No.	Quantity	Part No.	Description	Finish
1	1	050544	SS Cable	
2	1	050545	SS Housing	
3	1	990601	SS Plug Connector - 6 Position	
4	1	990602	SS Receptacle Connector - 6 Position	

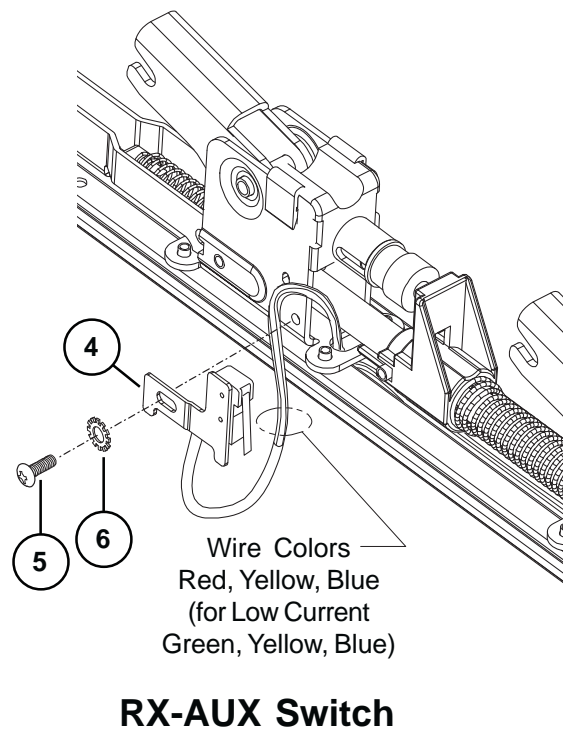
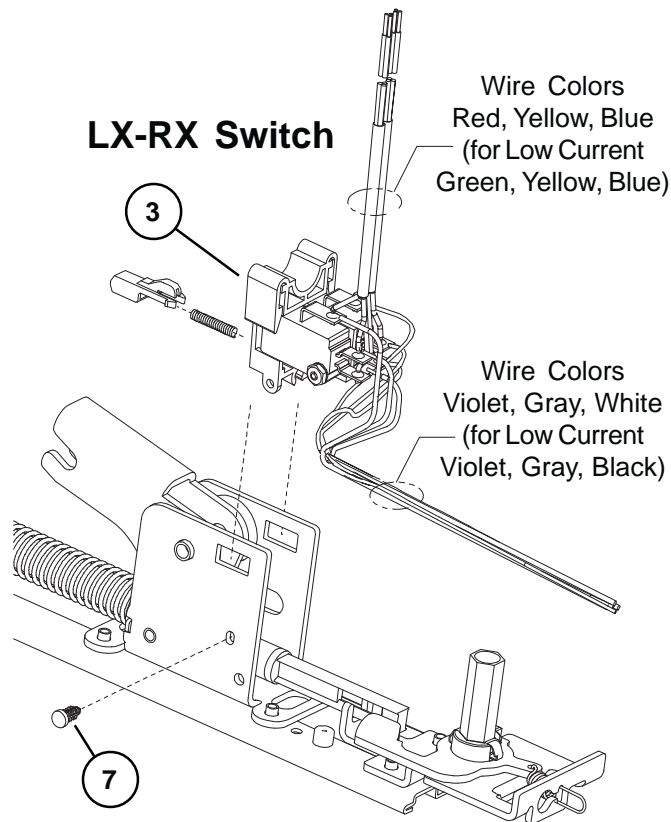


98/9947 & 98/9949 SERIES LX (LATCH BOLT MONITOR) & RX (REQUEST TO EXIT) OPTIONS



98/9947 & 98/9949 SERIES LX (LATCH BOLT MONITOR) & RX (REQUEST TO EXIT) OPTIONS

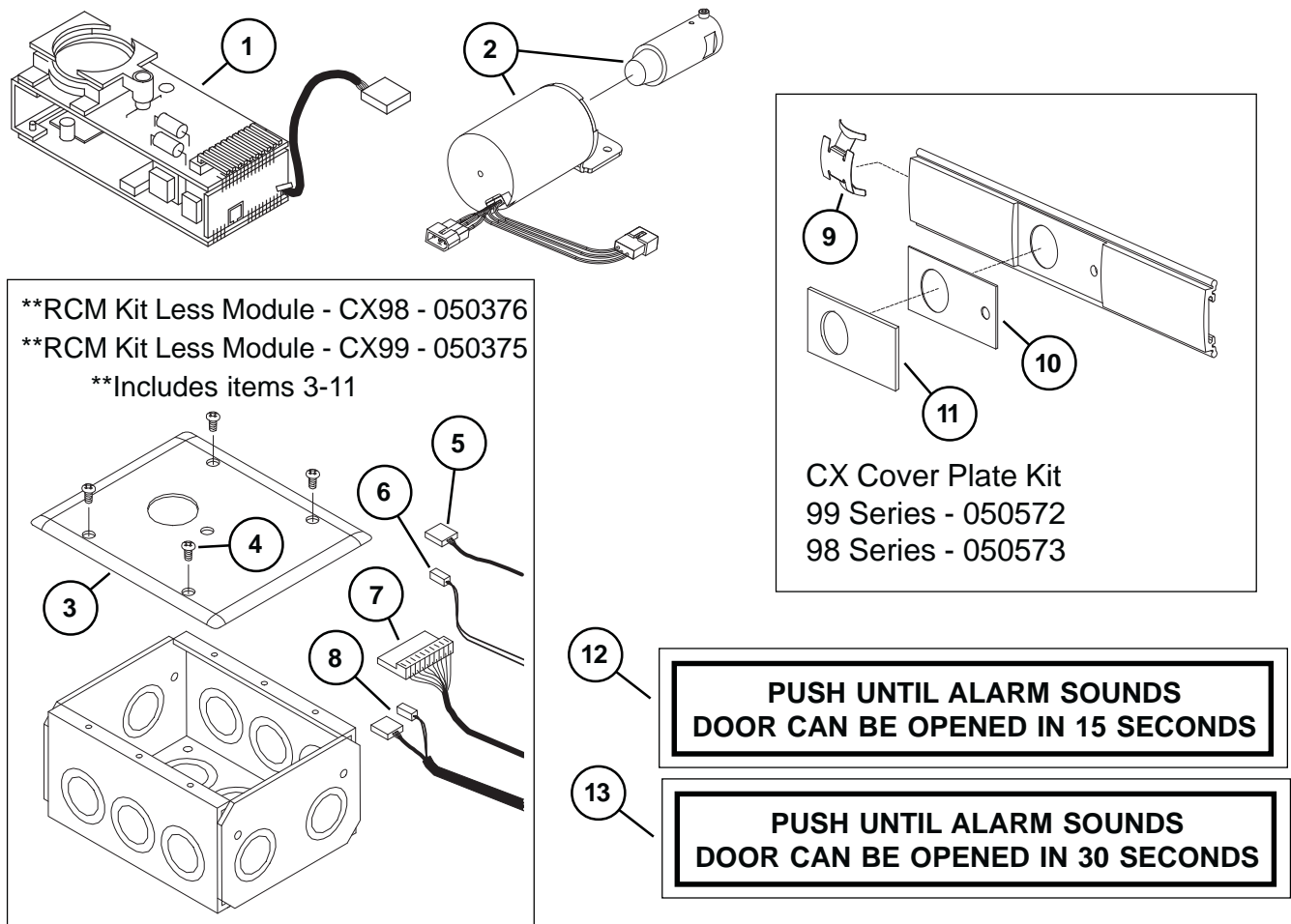
Item No.	Quantity	Part No.	Description	Finish
1	1	050254	LX Switch Kit 3' Device	
1	1	050255	LX Switch Kit 4' Device	
1	1	050247	LX-EL Switch Kit	
1	1	050283	LX-LC (Low Current) Switch Kit 3' Device	
1	1	050285	LX-LC (Low Current) Switch Kit 4' Device	
1	1	050287	LX-LC-EL (Low Current) Switch Kit	
2	1	050251	RX Switch Kit	
2	1	050281	RX-LC (Low Current) Switch Kit	
3	1	050256	LX-RX Switch Kit 3' Device	
3	1	050257	LX-RX Switch Kit 4' Device	
3	1	050259	LX-RX-EL Switch Kit	
3	1	050289	LX-RX-LC (Low Current) Sw. Kit 3' Device	
3	1	050291	LX-RX-LC (Low Current) Sw. Kit 4' Device	
3	1	050293	LX-RX-LC-EL (Low Current) Switch Kit	
2 & 4	1	050270	RX-2 Switch Kit	
4	1	050271	RX-AUX Switch Kit	
5	1	964558	8-32 x 5/16" PPHMS	
6	1	964019	#8 Washer	
7	1	090099	Pine Tree Clip (Pkg of 10)	
8	1	971091	LX Actuator	



CX98/9947 & CX98/9949 SERIES CHEXIT AND CX-RCM OPTION

Item No.	Quantity	Part No.	Description	Finish
1	1	050228	Chexit PCB Kit - 15 Second Release	
1*	1	050700	Chexit PCB Kit - 30 Second Release	
1	1	050701	Chexit PCB Kit - 0 Second Release	
1	1	050702	Chexit PCB Kit - Boca 15 Second Release	
1*	1	050703	Chexit PCB Kit - Boca 30 Second Release	
2	1	050533	CX Solenoid and Plunger	
3	1	113111	Faceplate and Adapter	X
4	4	963898	6-32 x 3/8" OPHMS Faceplate Screws	X
5	1	991338	RCM 3 Wire RX Cable	
6	1	991339	RCM 2 Wire Solenoid Cable	
7	1	112018	Chexit Wiring Assembly	
8	1	991336	CX-RCM Cable Assy - 5 Wire	
9	1	090036	Cover Plate Anti-rattle Spring (Pkg of 10)	
10	1	970513	LED Cover Mask - Chexit	
11	1	970519	LED Cover - Chexit	
12	1	113781	Sign 15 Second - Chexit	
13	1	113782	Sign 30 Second - Chexit	

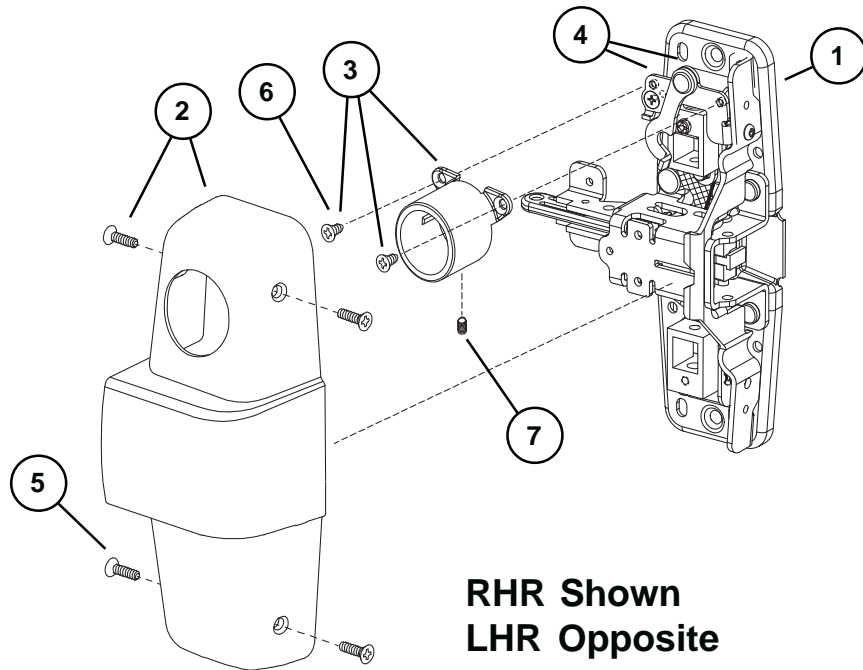
***Over 15 seconds delay requires a letter of approval from authority having local jurisdiction.
Fax letter in with sales order. The order cannot be processed without the letter.**



CX-CD/SD98/9947 SERIES OPTION

Item No.	Quantity	Part No.	Description	Finish
1*	1	050552	SD98/9947 RHR Center Case Kit Less Cvr	
1*	1	050553	SD98/9947 LHR Center Case Kit Less Cvr	
2	1	050562	SD98/9947 RHR Center Case Cover Kit	X
2	1	050563	SD98/9947 LHR Center Case Cover Kit	X
3	1	112409	CD-CX/SD Cylinder Dog Housing	
4	1	112455	CX-CD/SD Cylinder Dog Bracket Kit RHR	
4	1	112456	CX-CD/SD Cylinder Dog Bracket Kit LHR	
5	4	900892	Center Case Cover Screws	X
6	2	PkgServ.1018	8-32 x 1/4" UFPHMS (Pkg of 20)	
7	1	964240	Bracket Set Screw	

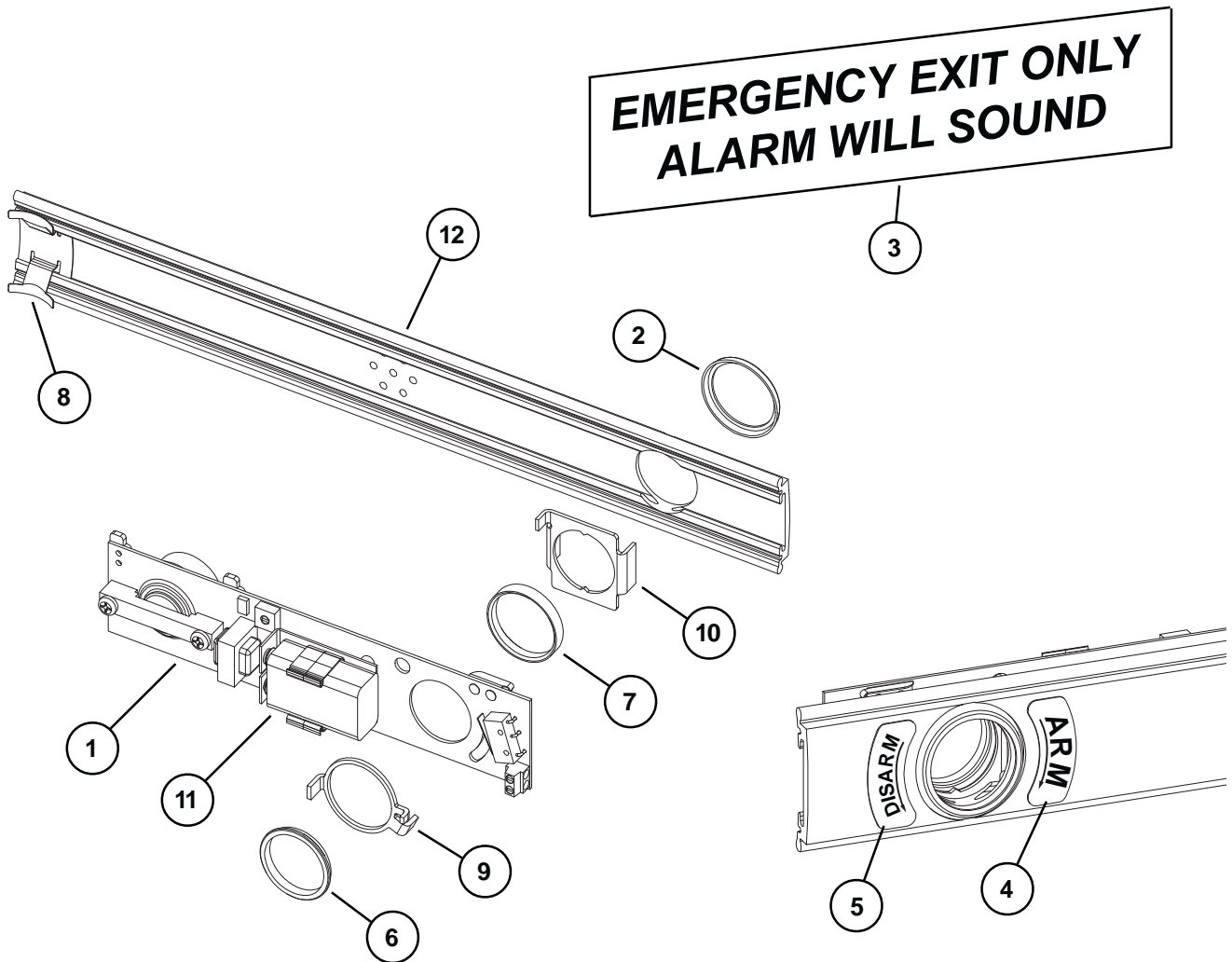
*Parts shown are for the CX-CD/SD option. For other available center case parts refer to page 17.



98/9947 & 98/9949 ALK EXIT ALARM KIT

Item No.	Quantity	Part No.	Description	Finish
1	1	111795	ALK PCB Assembly	
2	1	050525	Cylinder Collar	X
3	1	969122	ALK Alarm Device Sign	
4	1	969349	ALK Arming Label	
5	1	969350	ALK Disarming Label	
6	1	969354	Retainer Nut	
7	1	970594	ALK Cylinder Spacer	
8	1	090036	Cover Plate Anti-rattle spring (Pkg of 10)	
9	1	971556	ALK Switch Actuator	
10	1	971557	ALK Cylinder Bracket	
11	1	990637	ALK Battery	
12	1	050569	99 Series ALK Cover Plate Kit	X
12	1	050570	98 Series ALK Cover Plate Kit	X

X in "Finish" column designates finished items; finish must be specified when ordering.

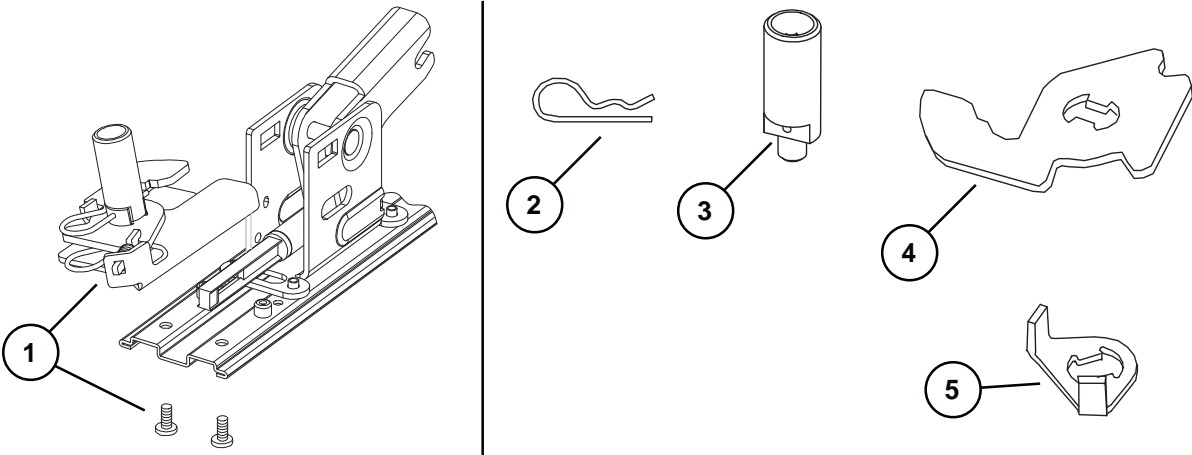


98/9947 SERIES SERVICE REPLACEMENT ITEMS

Item No.	Quantity	Part No.	Description	Finish
1	1	050153	Old Style Hex Dogging Replacement Kit	
2	1	963909	#22 Hitch Pin - Hex/CD Dogging Old Style	
3	1	968112	Old Style Hex Dog Shaft	
4	1	969941	Old Style Dogging Hook	
5	1	968116	Old Style CD Actuator Arm	
6	1	900905	Old Style End Cap and Bracket Assembly	X
7	1	970548	Old Style Cover Plate Stop - End Cap	
8	1	900901	Old Style End Cap Screw Package	X
9	1	971082	Old Style 98/99 End Cap - Stainless Steel	X
9	1	971083	Old Style 98/99 End Cap - Brass	X
9	1	971084	Old Style 98/99 End Cap - Bronze	X
9	1	971085	Old Style 98/99 End Cap - Aluminum	X

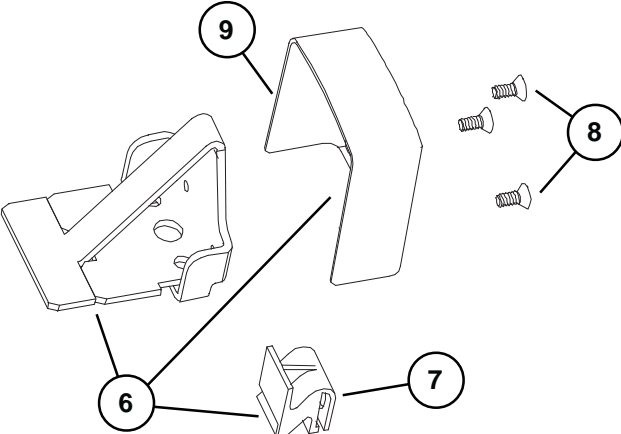
X in "Finish" column designates finished items; finish must be specified when ordering.

OLD STYLE DOGGING PARTS (FOR DEVICES SHIPPED BEFORE AUGUST 1997)



OLD STYLE END CAP PARTS (FOR DEVICES SHIPPED BEFORE JANUARY 2002)

Note: Newer style end cap kit shown on pages 4-5. Newer style end cap kit can be used on devices manufactured before January 2002, but mechanism case and cover plate on hinge stile must have a square cut and a clean edge.



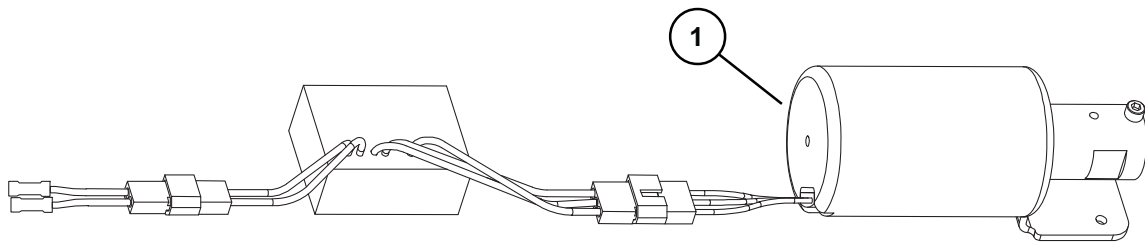
98/9947 SERIES SERVICE REPLACEMENT ITEMS

Item No.	Quantity	Part No.	Description	Finish
1	1	050218	EL Solenoid Replacement Kit	

X in "Finish" column designates finished items; finish must be specified when ordering.

EL SOLENOID REPLACEMENT KIT (FOR DEVICES SHIPPED BEFORE JANUARY 1987)

Note: This kit replaces the old style EL solenoid parts with the new style.

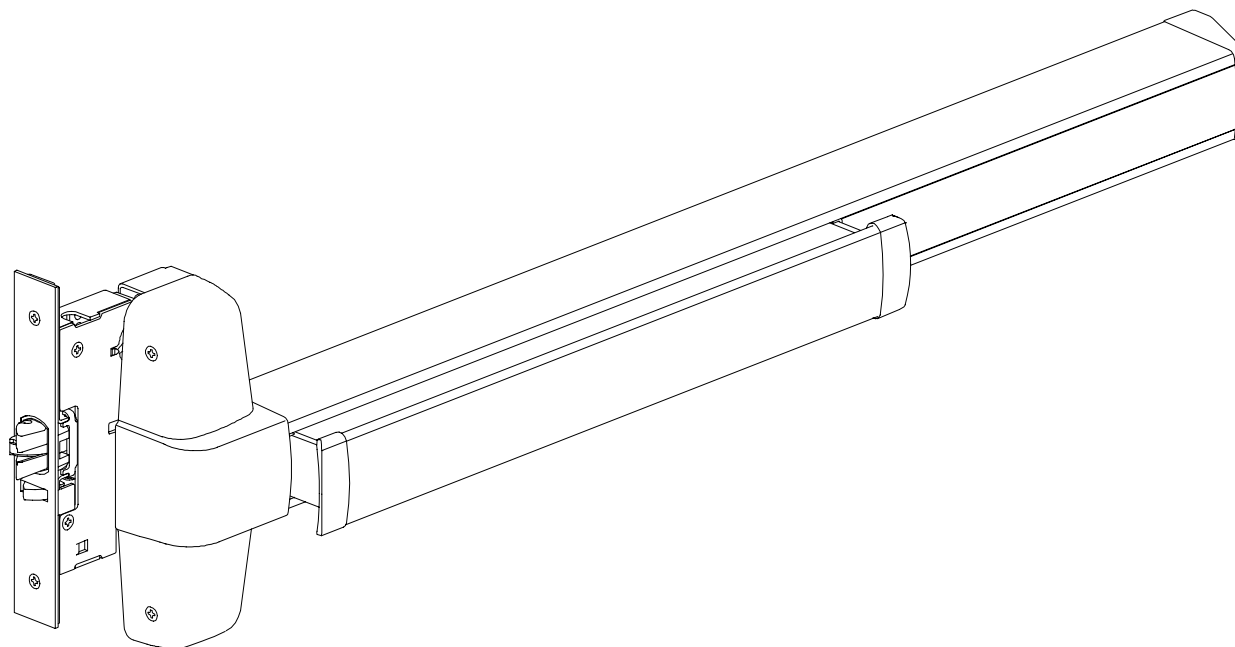


VON DUPRIN®

PARTS MANUAL

JUNE 2005

98/9975 MORTISE LOCK EXIT DEVICES



PM989975_B
VD-GN-1033

IR Security & Safety
Proven Source. Proven Solutions.™

Copyright © 2005 Ingersoll-Rand. All rights reserved.

INDEX

98/9975 Devices	
Basic Panic Device	4-5
Basic Fire Device	6-7
Baseplate Assemblies	8
Center Case Assembly	9
Variations of the Basic Device	
CD (Cylinder Dogging)	4-5
98/9975-2 Double Cylinder	9
HD-EL (Hex Dogging/Electric Latch Retraction)	10
EL (Electric Latch Retraction)	11
SS (Signal Switch)	11
RX (Request to Exit)	12-13
LX (Latch Bolt Monitoring)	12-13
CX Chexit	14
ALK Exit Alarm Kit	15
7500 Mortise Lock	16-17
E7500 Mortise Lock (F.S.E.)	18
E7500 Mortise Lock (F.S.)	19
SS7500 Mortise Lock	20
Service Replacement Items	21-22
General Information	
Introduction	2
How to Order	2
Part Number Changes	2
Finishes	3
Outside Trim Functions	3
Strikes	3

INTRODUCTION

This manual contains a listing of replaceable parts and assemblies for the 98/9975 Exit Hardware Devices. 98 Series and 99 Series devices are almost identical. The 99 Series has a grooved case; the 98 Series has a smooth case.

HOW TO ORDER

Some parts are sold separately. Other items are available as part of a kit or multiple quantity package. For the best possible service when ordering replacement parts or assemblies, please provide the following information:

- Part number or assembly number
- Description
- Quantity needed
- Finish desired (if available finished)
- Date of original purchase (if known)

To find out the name of your local Von Duprin distributor or sales representative, contact:

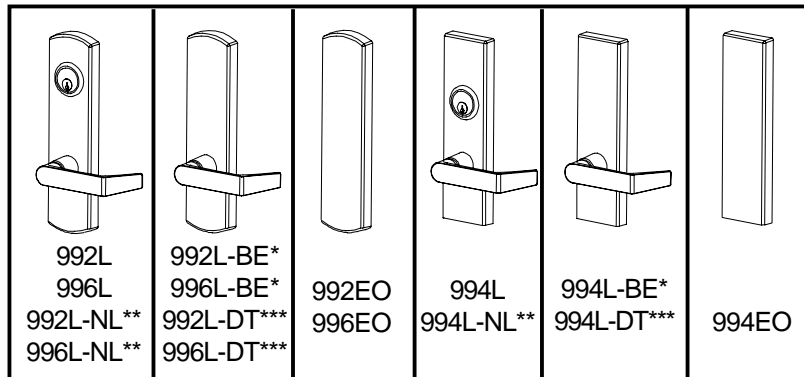
Von Duprin Division
Ingersoll-Rand Company
2720 Tobey Drive
Indianapolis, Indiana 46219
Phone: (800) 999-0408
Fax: (800) 999-0328
Website: www.vonduprin.com

PART NUMBER CHANGES

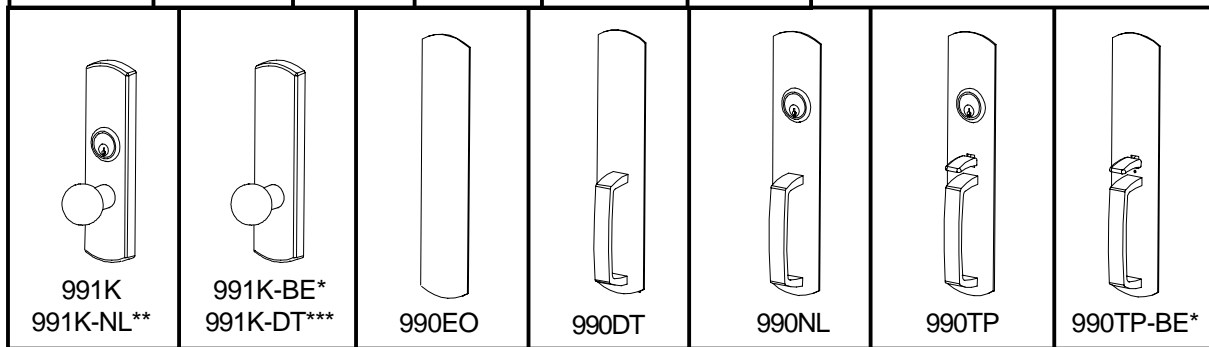
This manual reflects the product as sold in June 2005. Because of changes to the product and/or manufacturing process, part numbers can change.

98/99 SERIES FINISHES

OUTSIDE TRIM FUNCTIONS

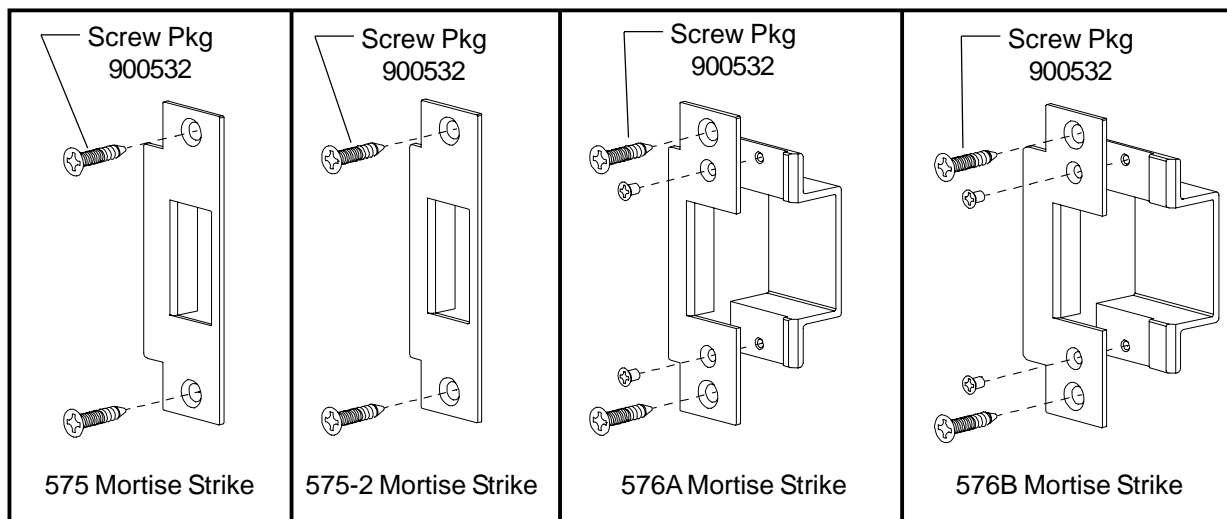


U.S. Std Reference	BHMA Reference	Description
US3	605	Polished Brass
US4	606	Dull Brass
US10	612	Dull Bronze
US15	619	Satin Nickel
US26	625	Polished Chrome
US26D	626	Dull Chrome
US28	628	Anodized Alum. (Clear)
US32D	630	Satin Stainless Steel
313AN	710	Anodized Alum. (313) Dark Bronze
315AN	711	Anodized Alum. (Black)

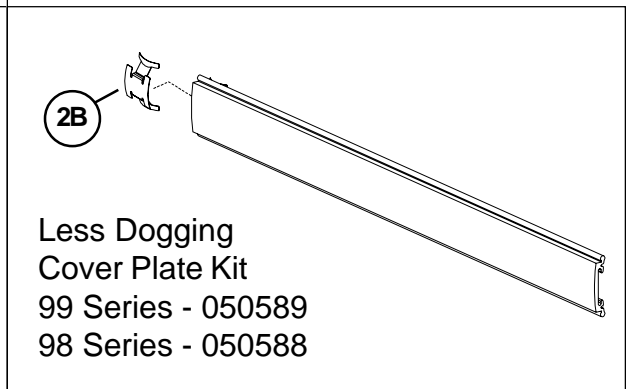
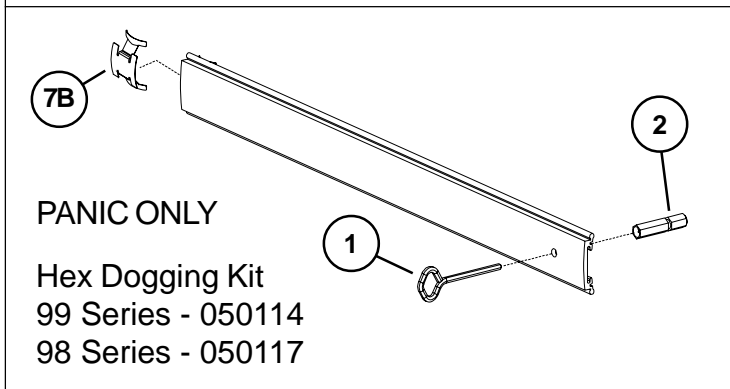
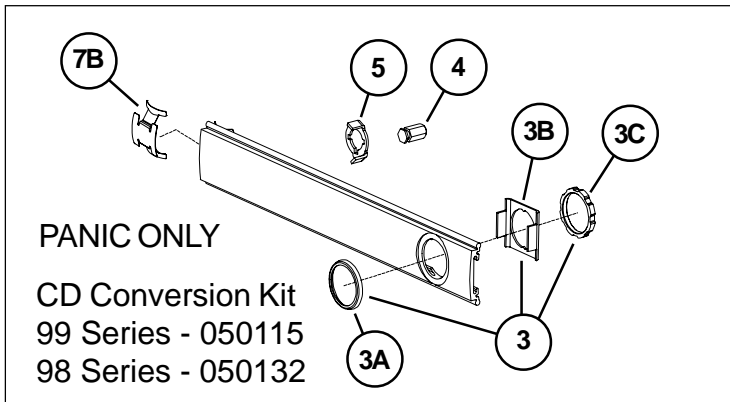
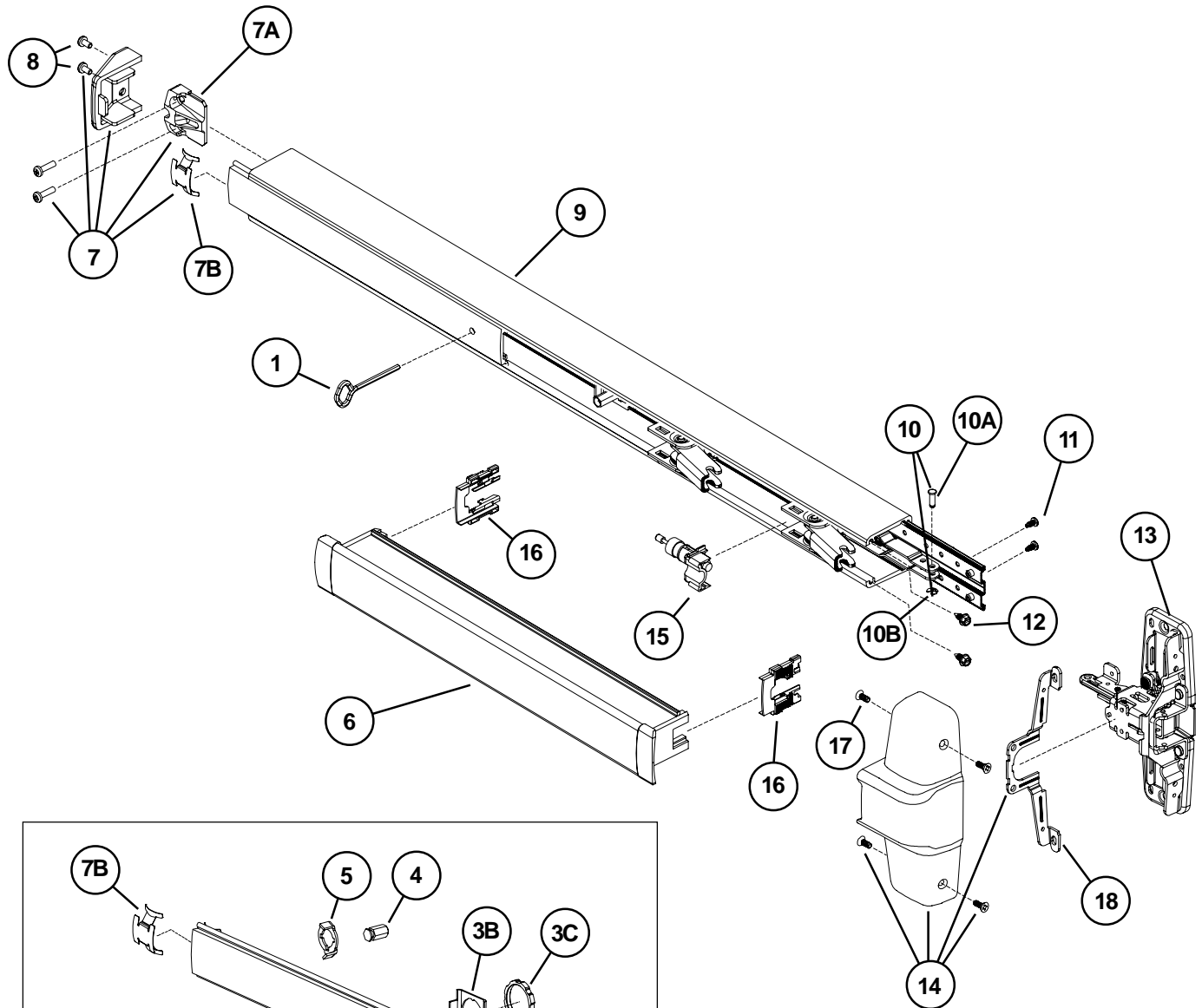


- * "BE" (Blank Escutcheon) no cylinder used - lever always active
- ** "NL" (Night Latch) rigid lever - key retracts latch bolt
- *** "DT" (Dummy Trim) rigid lever for pull operation
- **** "OP" (Optional Pull) needs to be added

MORTISE STRIKES



98/9975 MORTISE PANIC DEVICE



98/9975 MORTISE PANIC DEVICE

Item No.	Quantity	Part No.	Description	Finish
	1	900561	98/99 Series Mounting Pkg. (1-3/4 & 2-1/4)	
1	1	090085	227 Dog Key 5/32" Hex (Pkg of 10)	
1	1	090005	227 Dog Key 5/32" Hex (Pkg of 2)	
2	1	090040	Hex Dog Shaft (Pkg of 2)	
3	1	107813	Cylinder Mounting Pkg	X
3A	1	050525	Cylinder Collar	X
3B	1	050490	Cylinder Locating Washer - CD/SS	
3C	1	050526	Cylinder Locknut	
4	1	090046	CD Dogging Plug (Pkg of 2)	
5	1	090045	CD Actuator Arm (Pkg of 2)	
6	1	*PBKIT	98/99 Series Push Bar Retrofit Kit - 3' Door	X
6	1	*PBKIT	98/99 Series Push Bar Retrofit Kit - 4' Door	X
7	1	050014	98/99 Series End Cap Kit	X
7A	1	050524	Impact Resistant End Cap Bracket	
7B	1	090036	Cover Plate Anti-rattle Spring (Pkg of 10)	
8	1	900597	Device End Cap and C/Case Screw Pkg.	X
9	1	968144	99 Series Mechanism Case - 3' Door	X
9	1	968146	99 Series Mechanism Case - 4' Door	X
9	1	970191	98 Series Mechanism Case - 3' Door	X
9	1	970192	98 Series Mechanism Case - 4' Door	X
10	1	050529	98/99 Series Control Link Pin & Ret. Ring	
10A	1	090031	98/99 Series Control Link Pin (Pkg of 10)	
10B	1	090107	Retaining Ring (Pkg of 10)	
11	2	090037	#8-32 x 3/8" Baseplate Screw (Pkg of 10)	
12	2	090073	Mechanism Case Bracket Screw (Pkg of 10)	
13***	1	050023	98/9975 Center Case Less Cover	
14**	1	050073	98/9975 Center Case Cover Kit	X
15	1	050491	Shock Absorber & Holder Assembly	
16	2	090049	Push Bar Guide (Pkg of 10)	
17	4	900892	Center Case Cover Screws (Pkg of 4)	X
18	1	050564	Center Case Cover Bracket	

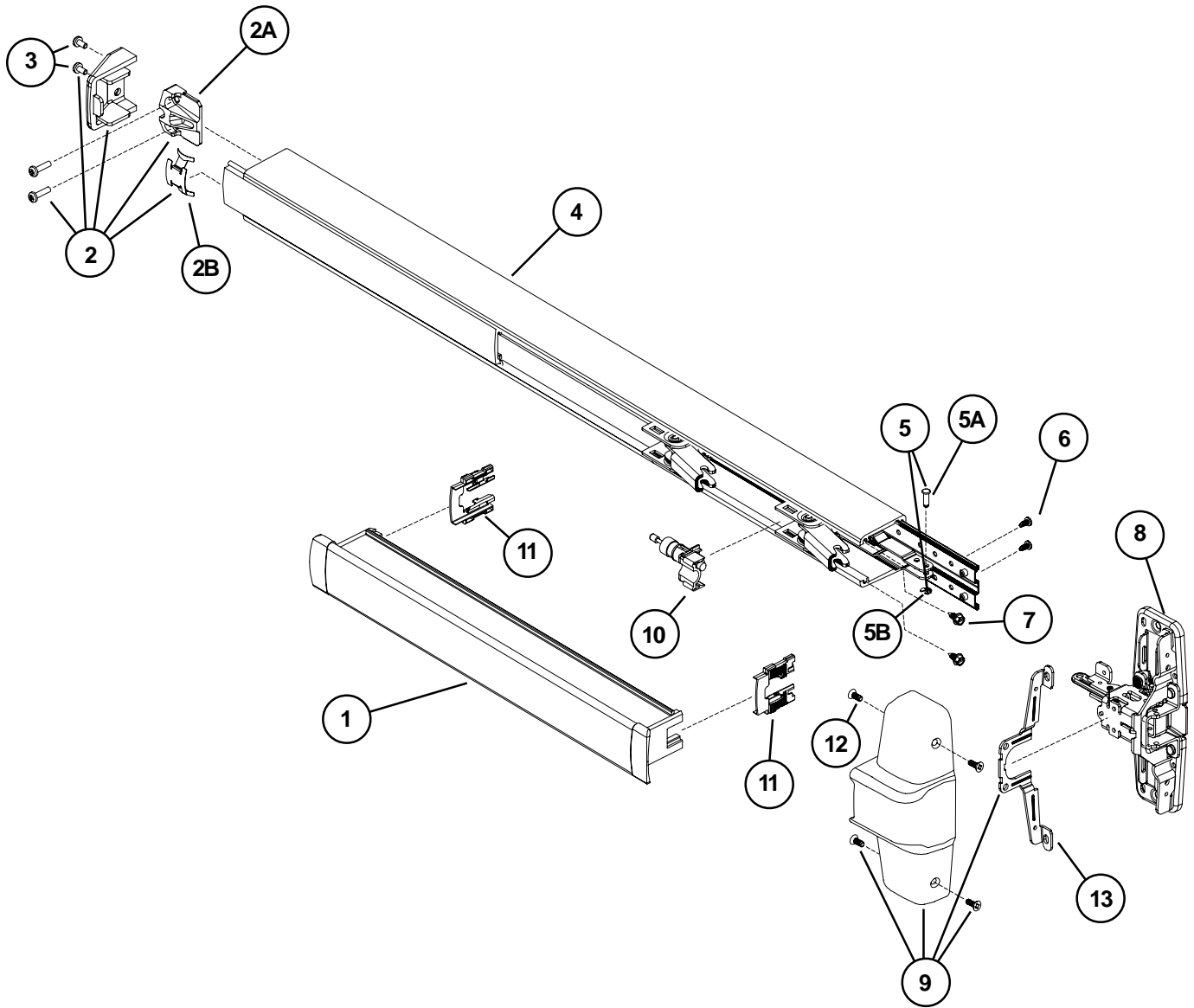
X in "Finish" column designates finished items; finish must be specified when ordering.

* To order, specify device type, size, and finish. Example: PBKIT 98 3' US28

**Includes parts for three piece cover conversion

***Center case assembly parts shown on page 9.

98/9975-F FIRE DEVICE



Fire Cover Plate Kit
 99 Series - 050589
 98 Series - 050588

98/9975-F FIRE DEVICE

Item No.	Quantity	Part No.	Description	Finish
	1	900561	98/99 Series Mounting Pkg. (1-3/4 & 2-1/4)	
1	1	*PBKIT	98/99 Series Push Bar Retrofit Kit - 3' Door	X
1	1	*PBKIT	98/99 Series Push Bar Retrofit Kit - 4' Door	X
2	1	050014	98/99 Series End Cap Kit	X
2A	1	050524	Impact Resistant End Cap Bracket	
2B	1	090036	Cover Plate Anti-rattle Spring (Pkg of 10)	
3	1	900597	Device End Cap and C/Case Screw Pkg.	X
4	1	968144	99 Series Mechanism Case - 3' Door	X
4	1	968146	99 Series Mechanism Case - 4' Door	X
4	1	970191	98 Series Mechanism Case - 3' Door	X
4	1	970192	98 Series Mechanism Case - 4' Door	X
5	1	050529	98/99 Series Control Link Pin & Ret. Ring	
5A	1	090031	98/99 Series Control Link Pin (Pkg of 10)	
5B	1	090107	Retaining Ring (Pkg of 10)	
6	2	090037	#8-32 x 3/8" Baseplate Screw (Pkg of 10)	
7	2	090073	Mechanism Case Bracket Screw (Pkg of 10)	
8***	1	050023	98/9975 Center Case Less Cover	
9**	1	050073	98/9975 Center Case Cover Kit	X
10	1	050491	Shock Absorber & Holder Assembly	
11	2	090049	Push Bar Guide (Pkg of 10)	
12	4	900892	Center Case Cover Screws (Pkg of 4)	X
13	1	050564	Center Case Cover Bracket	

X in "Finish" column designates finished items; finish must be specified when ordering.

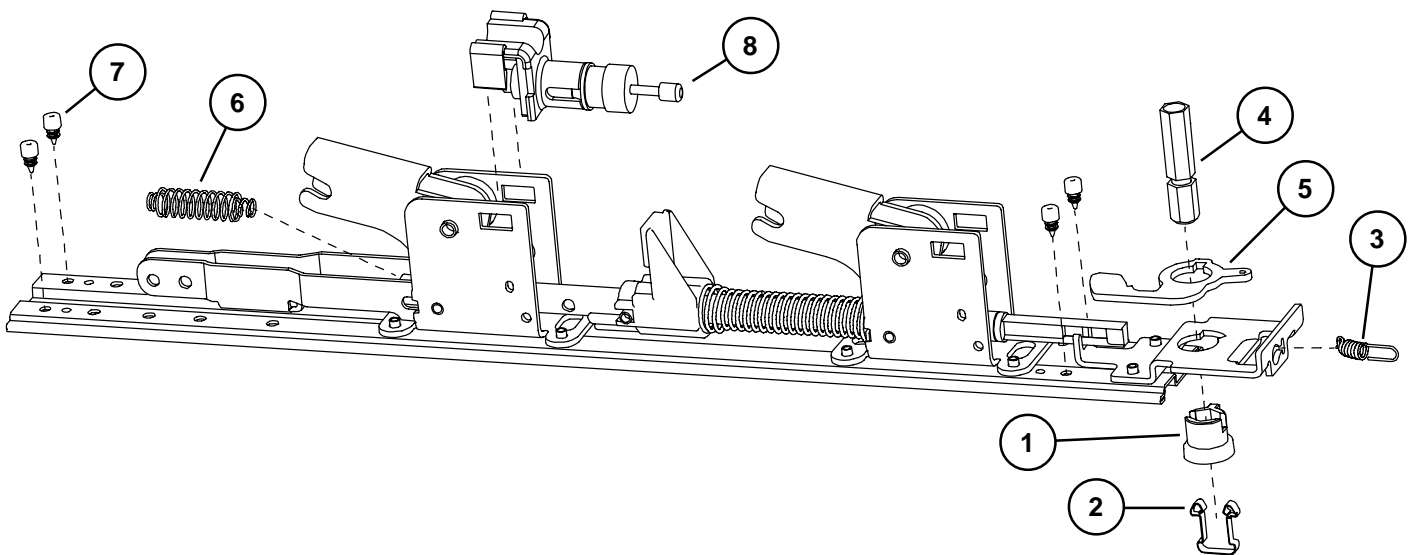
* To order, specify device type, size, and finish. Example: PBKIT 98 3' US28

**Includes parts for three piece cover conversion

***Center case assembly parts shown on page 9.

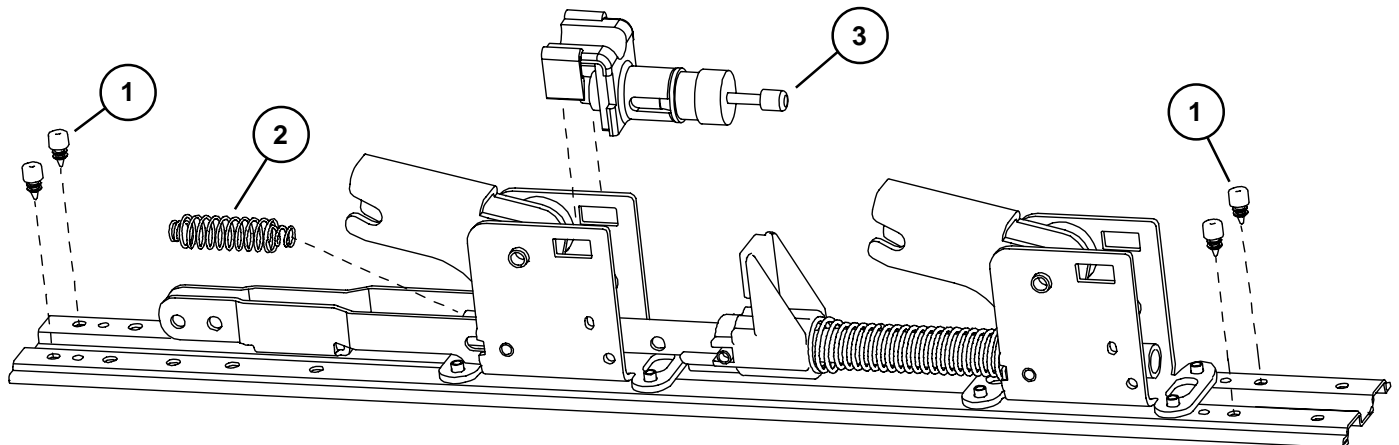
98/9975 PANIC DEVICE BASEPLATE ASSEMBLY

Item No.	Quantity	Part No.	Description	Finish
1	1	090043	Dogging adapter (Pkg of 2)	
2	1	090042	Dogging adapter spring (Pkg of 2)	
3	1	090041	Dogging spring (Pkg of 2)	
4	1	090040	Hex dogging shaft (Pkg of 2)	
5	1	090044	Dogging hook (Pkg of 2)	
6	1	090039	Latch return spring (Pkg of 10)	
7	4	090038	Rubber bumper (Pkg of 4)	
8	1	050491	Shock absorber	



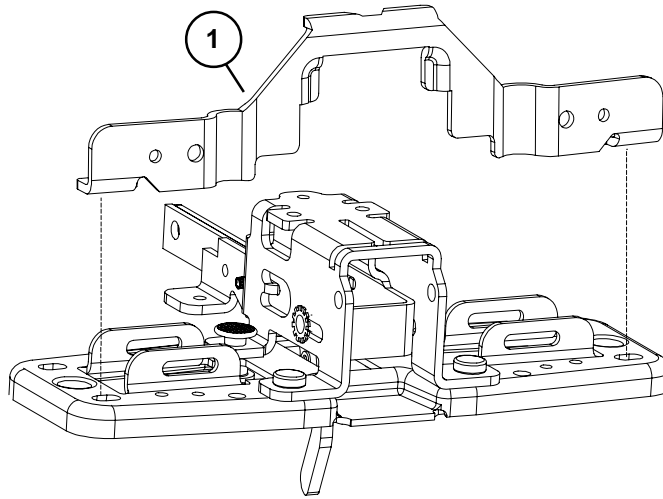
98/9975-F FIRE DEVICE BASEPLATE ASSEMBLY

Item No.	Quantity	Part No.	Description	Finish
1	4	090038	Rubber bumper (Pkg of 4)	
2	1	090039	Latch return spring (Pkg of 10)	
3	1	050491	Shock absorber	



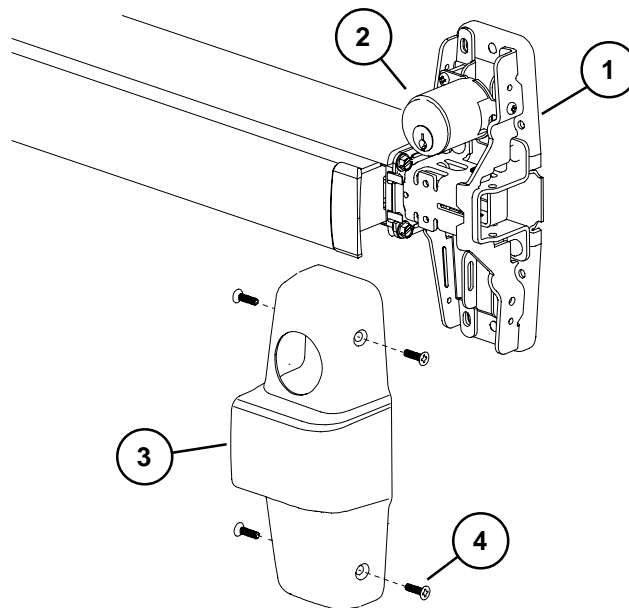
98/9975 DEVICE CENTER CASE ASSEMBLY

Item No.	Quantity	Part No.	Description	Finish
1	1	050565	Center Case Reinforcing Bracket	



98/9975-2 & 98/9975-F-2 DOUBLE CYLINDER OPTION

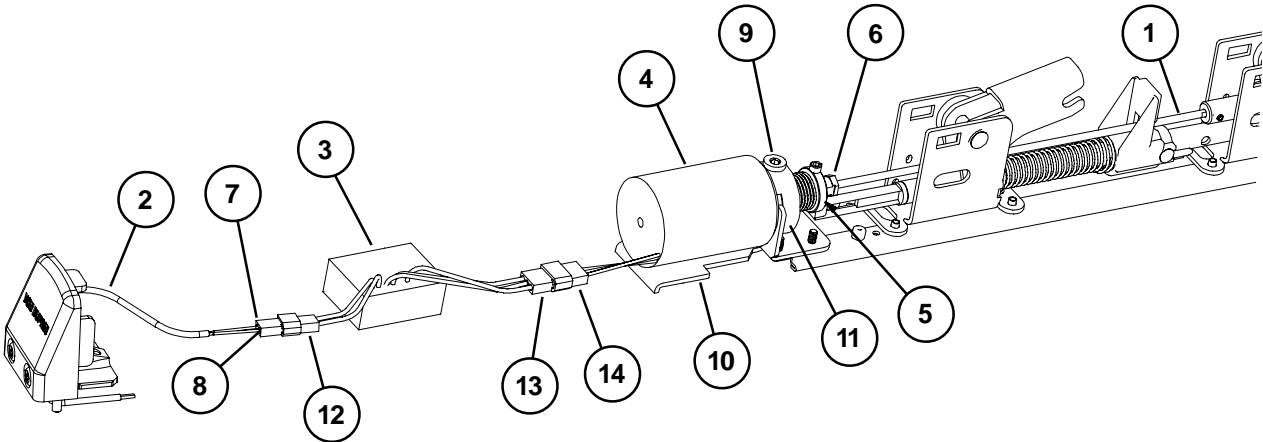
Item No.	Quantity	Part No.	Description	Finish
1	1	050029	98/9975-2 RHR Center Case Less Cover	
1	1	050030	98/9975-2 LHR Center Case Less Cover	
2	1	113100	98/99 Rim Double Cyl. Adapter Assembly -LH	X
2	1	113101	98/99 Rim Double Cyl. Adapter Assembly -RH	X
3	1	050557	98/9975-2/SD RHR Center Case Cover Kit	X
3	1	050558	98/9975-2/SD LHR Center Case Cover Kit	X
4	4	900892	Center Case Cover Screws (Pkg of 4)	X



HD-EL9875/HD-EL9975 HEX DOGGING/ELECTRIC LATCH RETRACTION OPTION

Item No.	Quantity	Part No.	Description	Finish
1	1	050531	EL Dogging Rod Kit - 3' Device	
1	1	050532	EL Dogging Rod Kit - 4' Device	
2	1	110388	EL 6' Cable and Connector	
3	1	050534	EL Potted Circuit Breaker	
4	1	050536	HD-EL Solenoid	
5	1	050537	HD-EL Solenoid Plunger	
6	1	050538	EL Dogging Rod Retainer	
7	1	050539	EL Receptacle Connector - 2 Position	
8	2	050540	EL Female Terminal	
9	1	050541	HD-EL Dog Screw	
10	1	050542	HD-EL Solenoid Bracket	
11	1	050543	HD-EL Dogging Spring	
12	1	990599	EL Plug Connector - 2 Position	
13	1	990857	EL Receptacle Connector - 3 Position	
14	1	990858	EL Plug Connector - 3 Position	
*	1	050384	HD-EL Conversion Kit - 3'	
*	1	050385	HD-EL Conversion Kit - 4'	

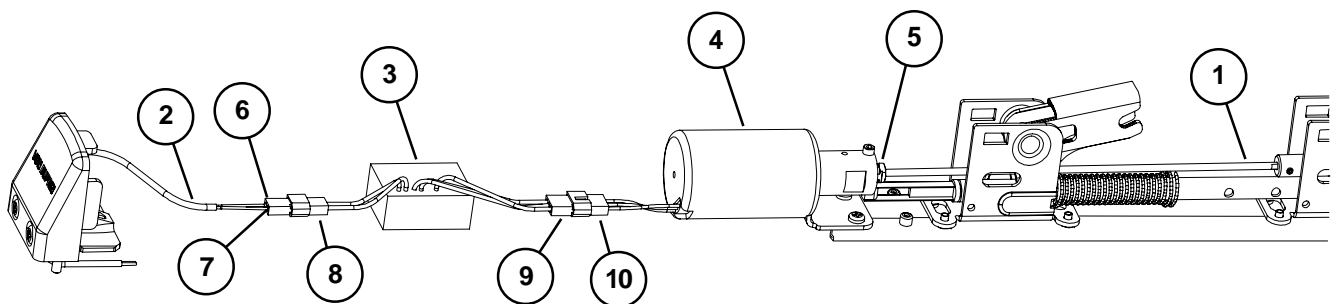
*Kit includes items 1-11 plus new control link, retaining ring, and baseplate screws.



EL9875/EL9975 SERIES ELECTRIC LATCH RETRACTION OPTION

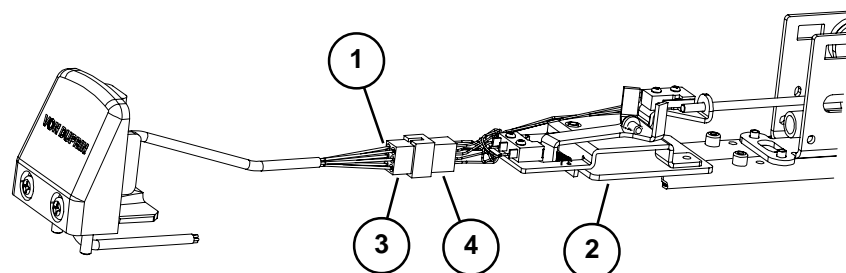
Item No.	Quantity	Part No.	Description	Finish
1	1	050531	EL Dogging Rod Kit - 3' device	
1	1	050532	EL Dogging Rod Kit - 4' device	
2	1	110388	EL 6' Cable and Connector	
3	1	050534	EL Potted Circuit Breaker	
4	1	050535	EL Solenoid Assembly	
5	1	050538	EL Dogging Rod Retainer	
6	1	050539	EL Receptacle Connector	
7	2	050540	EL Female Terminal	
8	1	990599	EL Plug Connector - 2 Position	
9	1	990857	EL Receptacle Connector - 3 Position	
10	1	990858	EL Plug Connector - 3 Position	
*	1	050070	EL Conversion Kit - 3'	
*	1	050078	EL Conversion Kit - 4'	

*Kit includes items 1-7 plus new control link pin, retaining ring, and baseplate screws.

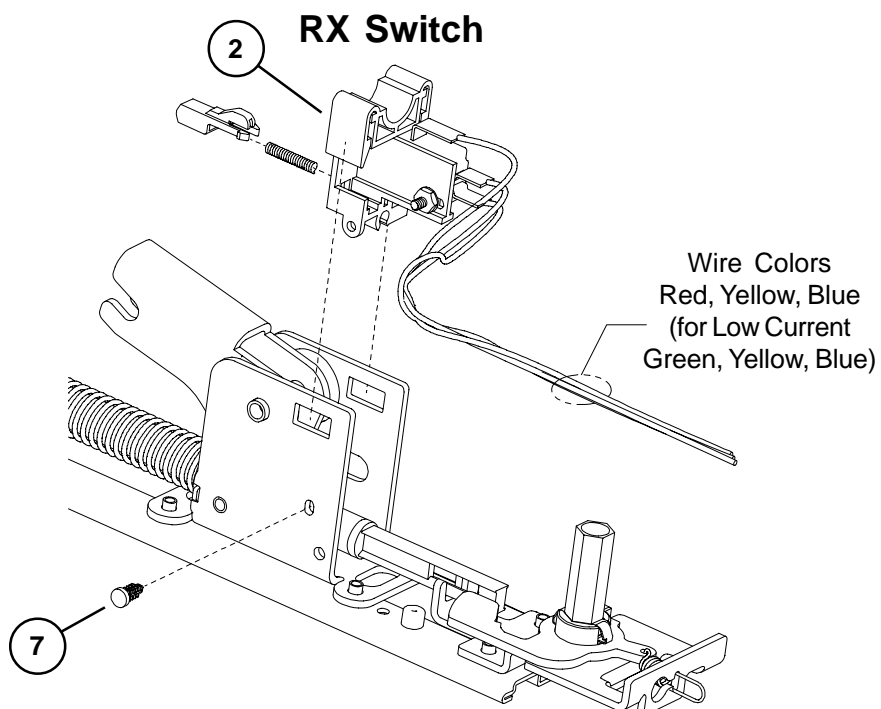
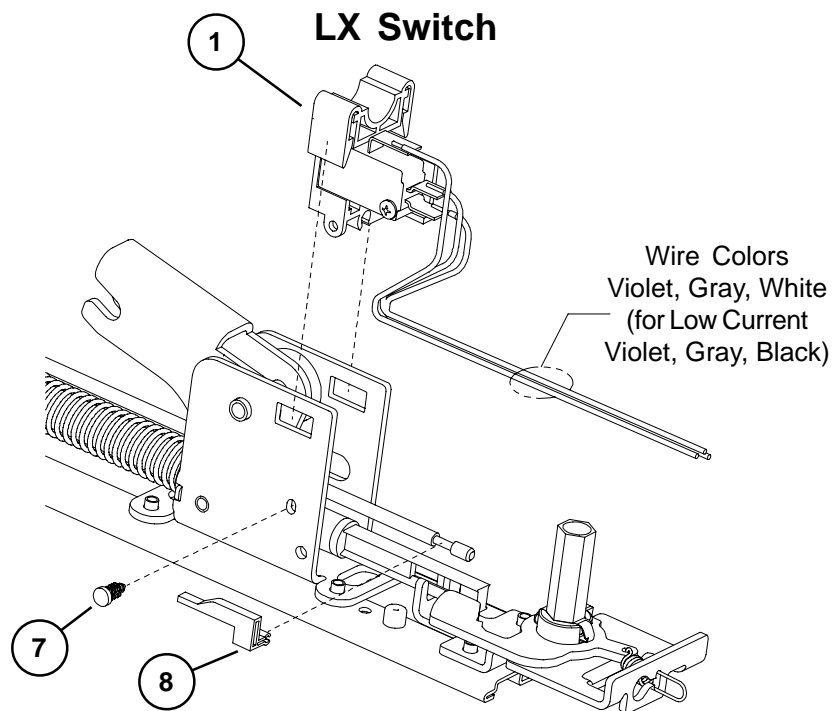


SS9875/SS9975 SERIES (SIGNAL SWITCH) OPTION

Item No.	Quantity	Part No.	Description	Finish
1	1	050544	SS Cable	
2	1	050545	SS Housing	
3	1	990601	SS Plug Connector - 6 Position	
4	1	990602	SS Receptacle Connector - 6 Position	

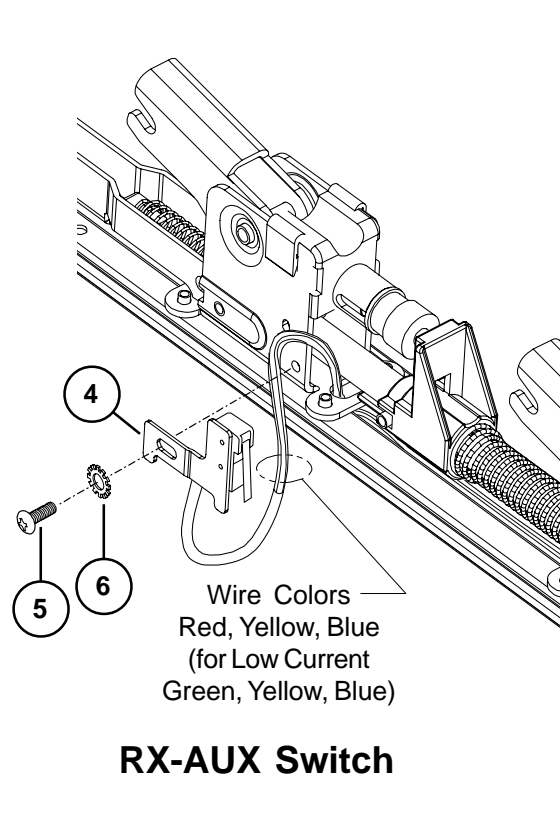
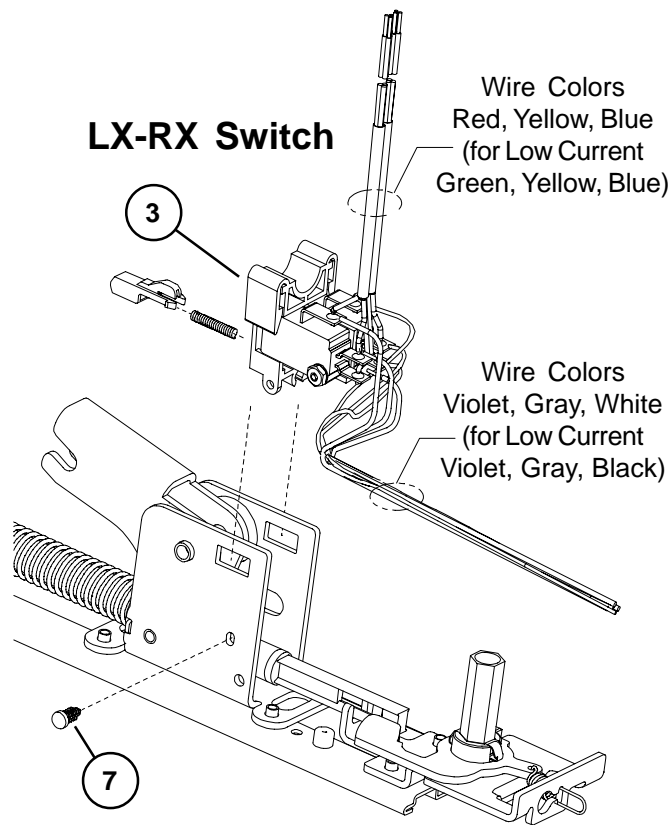


98/99 SERIES LX (LATCH BOLT MONITOR) & RX (REQUEST TO EXIT) OPTIONS



98/99 SERIES LX (LATCH BOLT MONITOR) & RX (REQUEST TO EXIT) OPTIONS

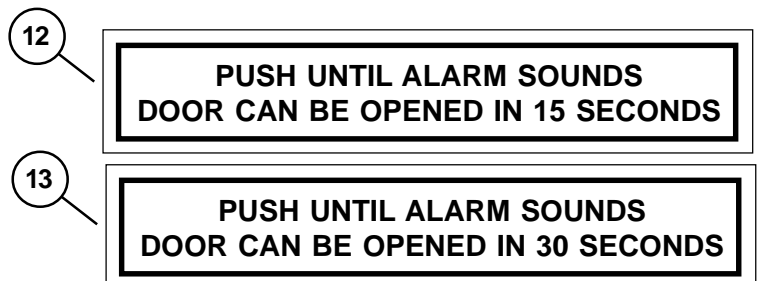
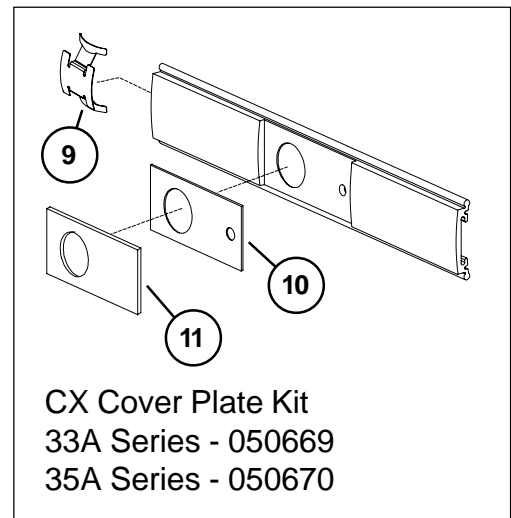
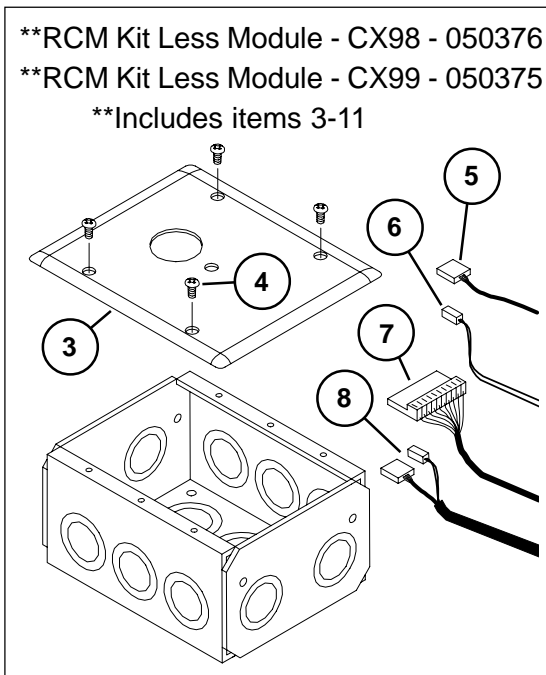
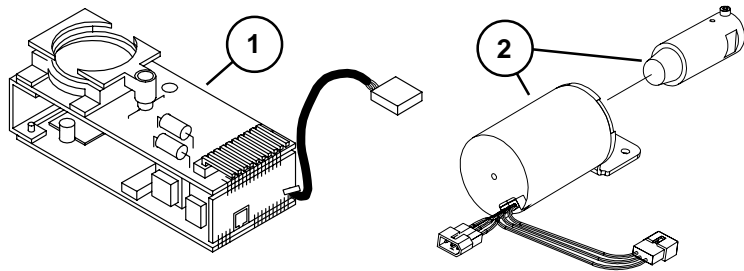
Item No.	Quantity	Part No.	Description	Finish
1	1	050254	LX Switch Kit 3' Device	
1	1	050255	LX Switch Kit 4' Device	
1	1	050247	LX-EL Switch Kit	
1	1	050283	LX-LC (Low Current) Switch Kit 3' Device	
1	1	050285	LX-LC (Low Current) Switch Kit 4' Device	
1	1	050287	LX-LC-EL (Low Current) Switch Kit	
2	1	050251	RX Switch Kit	
2	1	050281	RX-LC (Low Current) Switch Kit	
3	1	050256	LX-RX Switch Kit 3' Device	
3	1	050257	LX-RX Switch Kit 4' Device	
3	1	050259	LX-RX-EL Switch Kit	
3	1	050289	LX-RX-LC (Low Current) Sw. Kit 3' Device	
3	1	050291	LX-RX-LC (Low Current) Sw. Kit 4' Device	
3	1	050293	LX-RX-LC-EL (Low Current) Switch Kit	
2 & 4	1	050270	RX-2 Switch Kit	
4	1	050271	RX-AUX Switch Kit	
5	1	964558	8-32 x 5/16" PPHMS	
6	1	964019	#8 Washer	
7	1	090099	Pine Tree Clip (Pkg of 10)	
8	1	971091	LX Actuator	



CX98/99 SERIES CHEXIT AND CX-RCM OPTION

Item No.	Quantity	Part No.	Description	Finish
1	1	050228	Chexit PCB Kit - 15 Second Release	
1*	1	050700	Chexit PCB Kit - 30 Second Release	
1	1	050701	Chexit PCB Kit - 0 Second Release	
1	1	050702	Chexit PCB Kit - Boca 15 Second Release	
1*	1	050703	Chexit PCB Kit - Boca 30 Second Release	
2	1	050533	CX Solenoid and Plunger	
3	1	113111	Faceplate and Adapter	X
4	4	963898	6-32 x 3/8" OPHMS Faceplate Screws	X
5	1	991338	RCM 3 Wire RX Cable	
6	1	991339	RCM 2 Wire Solenoid Cable	
7	1	112018	Chexit Wiring Assembly	
8	1	991336	CX-RCM Cable Assy - 5 Wire	
9	1	090036	Cover Plate Anti-rattle Spring (Pkg of 10)	
10	1	970513	LED Cover Mask - Chexit	
11	1	970519	LED Cover - Chexit	
12	1	113781	Sign 15 Second - Chexit	
13	1	113782	Sign 30 Second - Chexit	

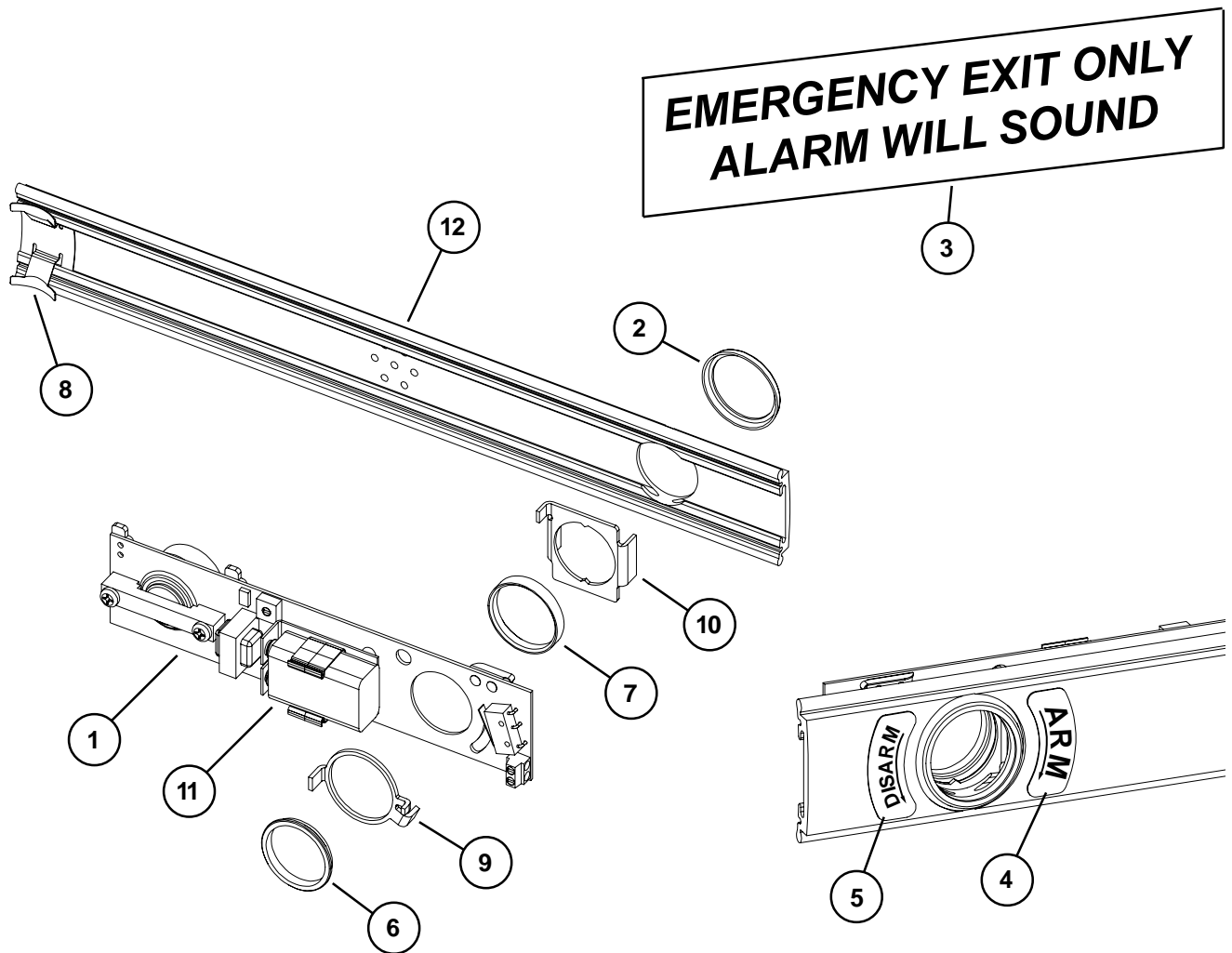
***Over 15 seconds delay requires a letter of approval from authority having local jurisdiction.
Fax letter in with sales order. The order cannot be processed without the letter.**



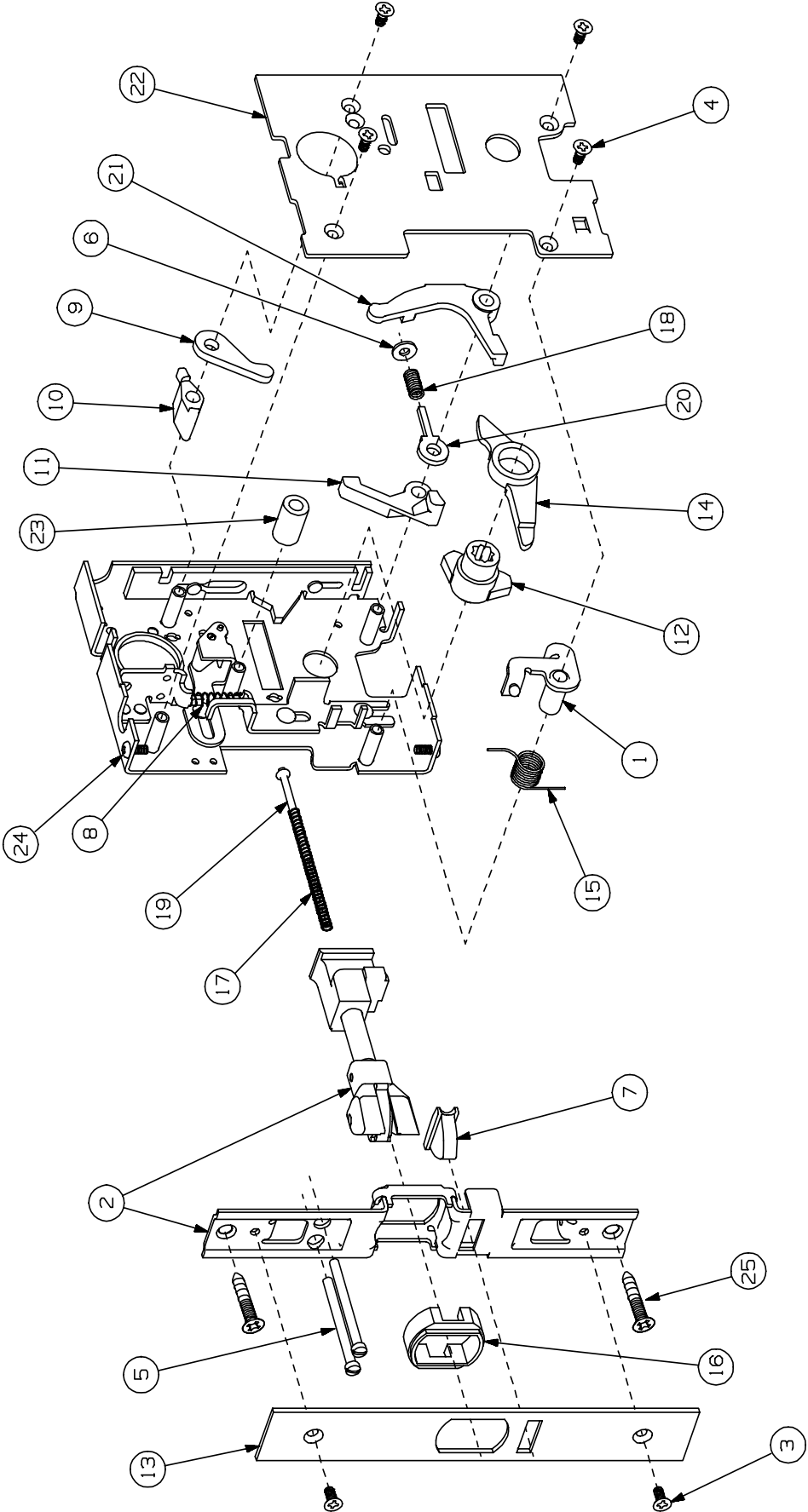
98/99 ALK EXIT ALARM KIT

Item No.	Quantity	Part No.	Description	Finish
1	1	111795	ALK PCB Assembly	
2	1	050525	Cylinder Collar	X
3	1	969122	ALK Alarm Device Sign	
4	1	969349	ALK Arming Label	
5	1	969350	ALK Disarming Label	
6	1	969354	Retainer Nut	
7	1	970594	ALK Cylinder Spacer	
8	1	090036	Cover Plate Anti-rattle spring (Pkg of 10)	
9	1	971556	ALK Switch Actuator	
10	1	971557	ALK Cylinder Bracket	
11	1	990637	ALK Battery	
12	1	050569	99 Series ALK Cover Plate Kit	X
12	1	050570	98 Series ALK Cover Plate Kit	X

X in "Finish" column designates finished items; finish must be specified when ordering.



7500 MORTISE LOCK



7500 MORTISE LOCK

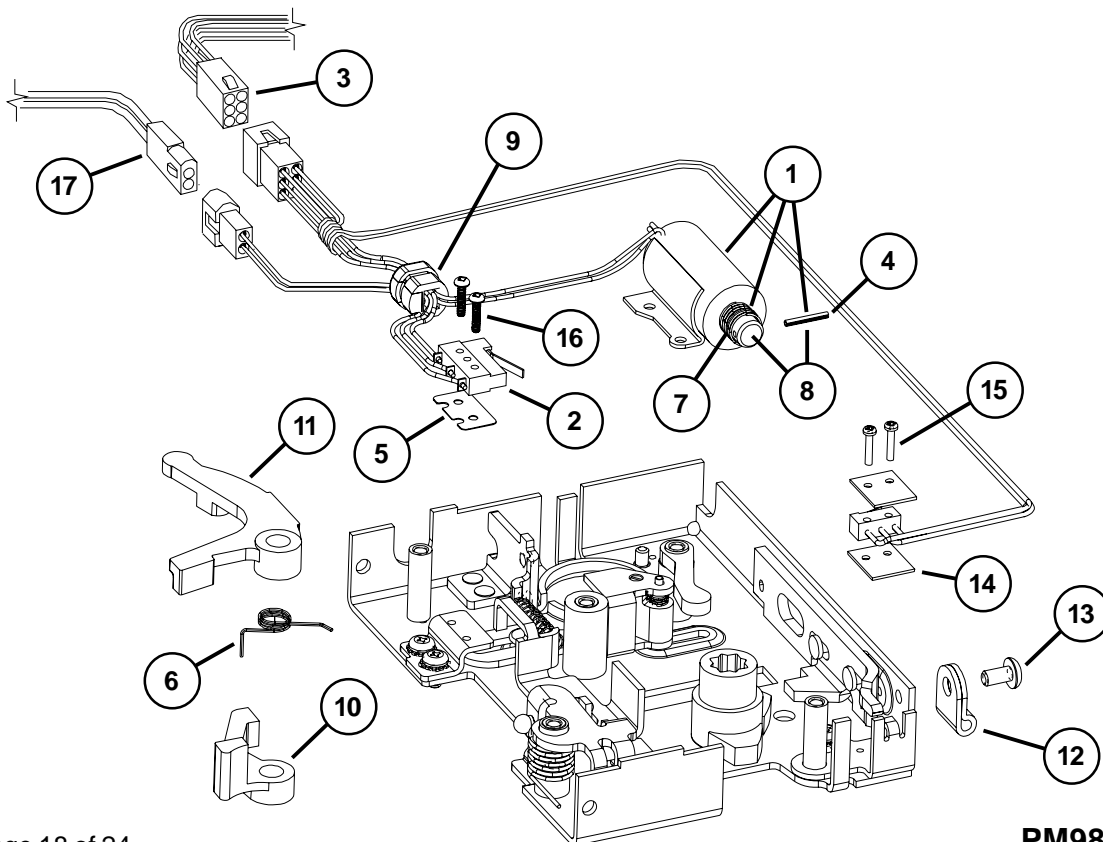
Item No.	Quantity	Part No.	Description	Finish
1	1	109347	7500 Auxiliary Bolt Link Sub-Assembly	
2	1	109773	7500 Latchbolt and Faceplate Sub-Assembly	
3	2	963080	7500 Scalp Plate - 8-32 x 3/8" FPHMS	X
4	4	963812	7500 Hsg. Cover - 8-32 x 3/8" UFPHMS	
5	2	963954	7500 Cyl. Set - 8-32 x 2" Fill SHMS	
6	1	963984	#8 SAE Flat Washer	
7	1	968668	7500 Auxiliary Bolt	
8	1	968748	7500 Deadlocking Spring	
9	1	968761	7500 Trim Bolt Retractor	
10	1	968762	7500 Trim Lock Actuator	
11	1	968763	7500 Thumb Latch Lift	
12	1	968765	7500 Knob Cam	
13	1	968766	7500 Scalp Plate - Aluminum	X
13	1	970872	7500 Scalp Plate - Brass	X
13	1	970873	7500 Scalp Plate - Bronze	X
14	1	968773	7500 Deadlock Release Arm	
15	1	968935	7500 Auxiliary Bolt Spring	
16	1	968939	7500 Latchbolt Collar	
17	1	969089	7500 Latch Return Spring	
18	1	969364	7500 Trim Lock Slide Spring	
19	1	969610	7500 Latch Return Spring Guide	
20	1	970188	7500 Trim Lock Spring Guide	
21	1	970318	7500 Crossbar Input Arm	
22	1	971822	7500 Housing Cover	
23	1	970735	7500 Stem Support	
24	2	964390	8-32 x 3/8" PPHTF Screw	
25	2	900532	7500 Lock Mounting Pkg	

X in "Finish" column designates finished items; finish must be specified when ordering.

E7500 MORTISE LOCK FAIL SECURE (F.S.E)

Item No.	Quantity	Part No.	Description	Finish
1	1	050212	E7500 Solenoid Replacement Kit 12VDC FSE	
1	1	050214	E7500 Solenoid Replacement Kit 24VDC FSE	
2*	1	050294	E7500 Switch Kit	
3	1	110744	E7500 Switch Connector Assembly	
4	1	963974	E7500 Roll Pin - 3/32 x 9/16"	
5	1	968770	E/SS 7500 Switch Insulator	
6	1	969107	E7500 Torsion Spring	
7	1	971320	E7500 Solenoid Spring	
8	1	113186	E7500 Plunger Assembly FSE	
9	1	966504	Wire Strain Relief	
10	1	970866	E7500 Thumb Latch Lift	
11	1	970318	7500 Crossbar Input Arm	
12	1	970596	E7500 Cable Clamp	
13	1	964558	E7500 Cable Clamp Screw	
14	2	970868	E7500 Switch Insulator	
15	2	964393	E7500 Switch Insulator Screw	
16	2	964269	E7500 Switch Wiring Assembly Screw	
17	1	114140	Hook Up Wire Assembly	

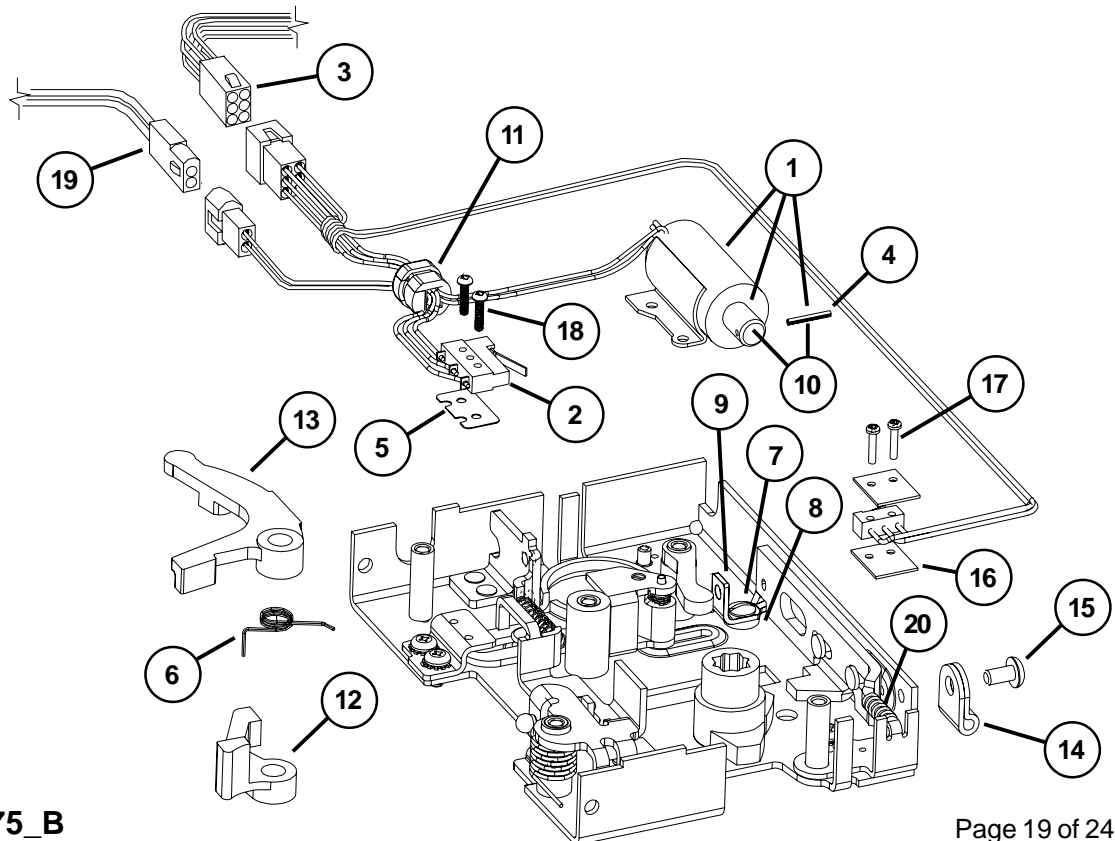
* Kit includes items 2 and 16 plus the switch wiring assembly (red/yellow/blue wires), switch assembly (white/gray/violet wires) and connectors.



E7500 MORTISE LOCK FAIL SECURE (F.S.)

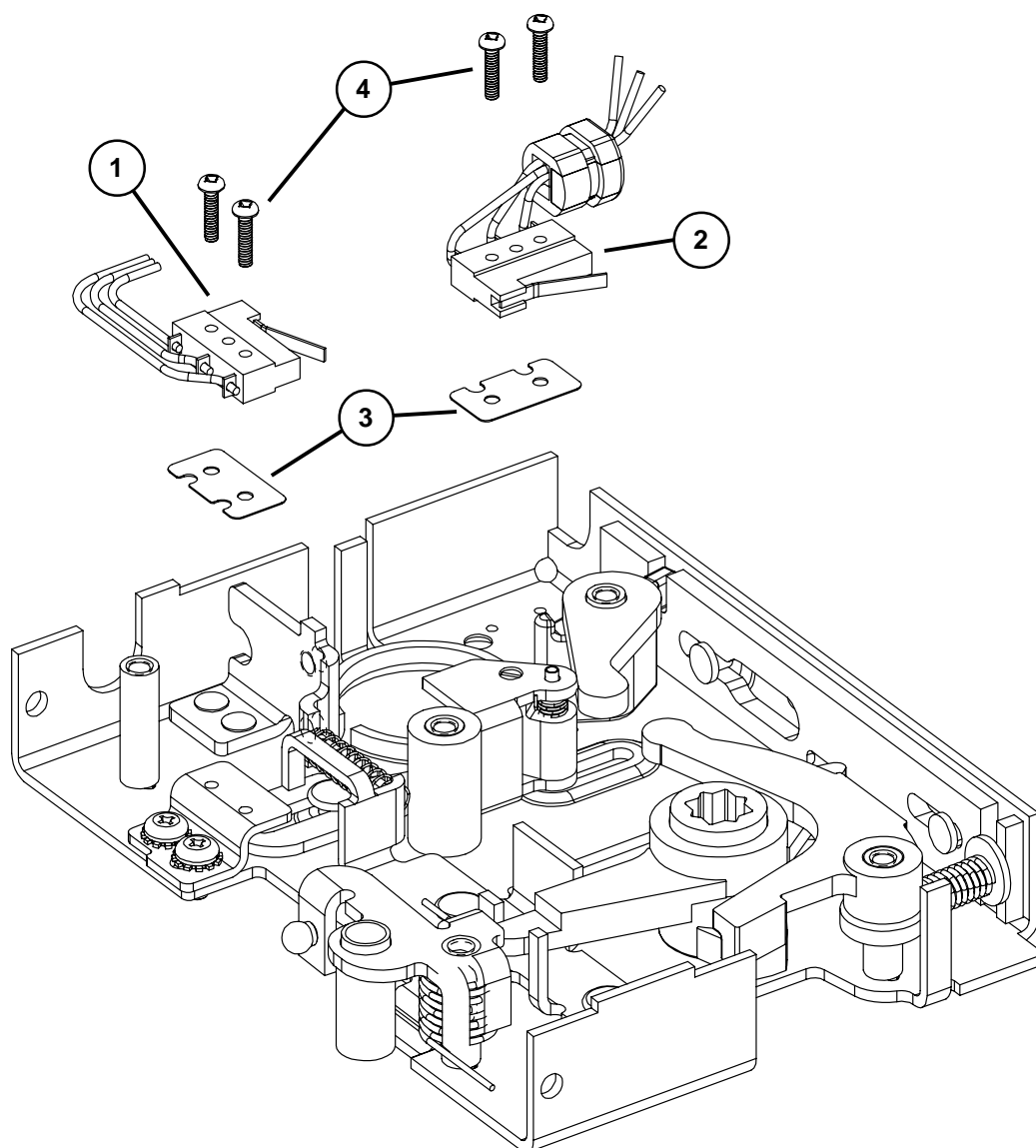
Item No.	Quantity	Part No.	Description	Finish
1	1	050213	E7500 Solenoid Replacement Kit 12VDC FS	
1	1	050215	E7500 Solenoid Replacement Kit 24VDC FS	
2*	1	050294	Switch Wiring Assembly (R/Y/B Wires)	
3	1	110744	E7500 Switch Connector Assembly	
4	1	963974	E7500 Roll Pin - 3/32 x 9/16"	
5	1	968770	E/SS 7500 Switch Insulator	
6	1	969107	E7500 Torsion Spring	
7	1	970861	E7500 Lever Screw	
8	1	970862	E7500 Lever Spacer	
9	1	972549	E7500 FS Trim Lock Lever	
10	1	113187	E7500 Plunger Assembly FS	
11	1	966504	Wire Strain Relief	
12	1	970866	E7500 Thumb Latch Lift	
13	1	970318	7500 Crossbar Input Arm	
14	1	970596	E7500 Cable Clamp	
15	1	964558	E7500 Cable Clamp Screw	
16	2	970868	E7500 Switch Insulator	
17	2	964393	E7500 Switch Insulator Screw	
18	2	964269	E7500 Switch Wiring Assembly Screw	
19	1	114140	Hook Up Wire Assembly	
20	1	970546	E7500 Trim Lock Slide Spring FS	

* Kit includes items 3 and 18 plus the switch wiring assembly (red/yellow/blue wires), switch assembly (white/gray/violet wires) and connectors.



SS7500 MORTISE LOCK

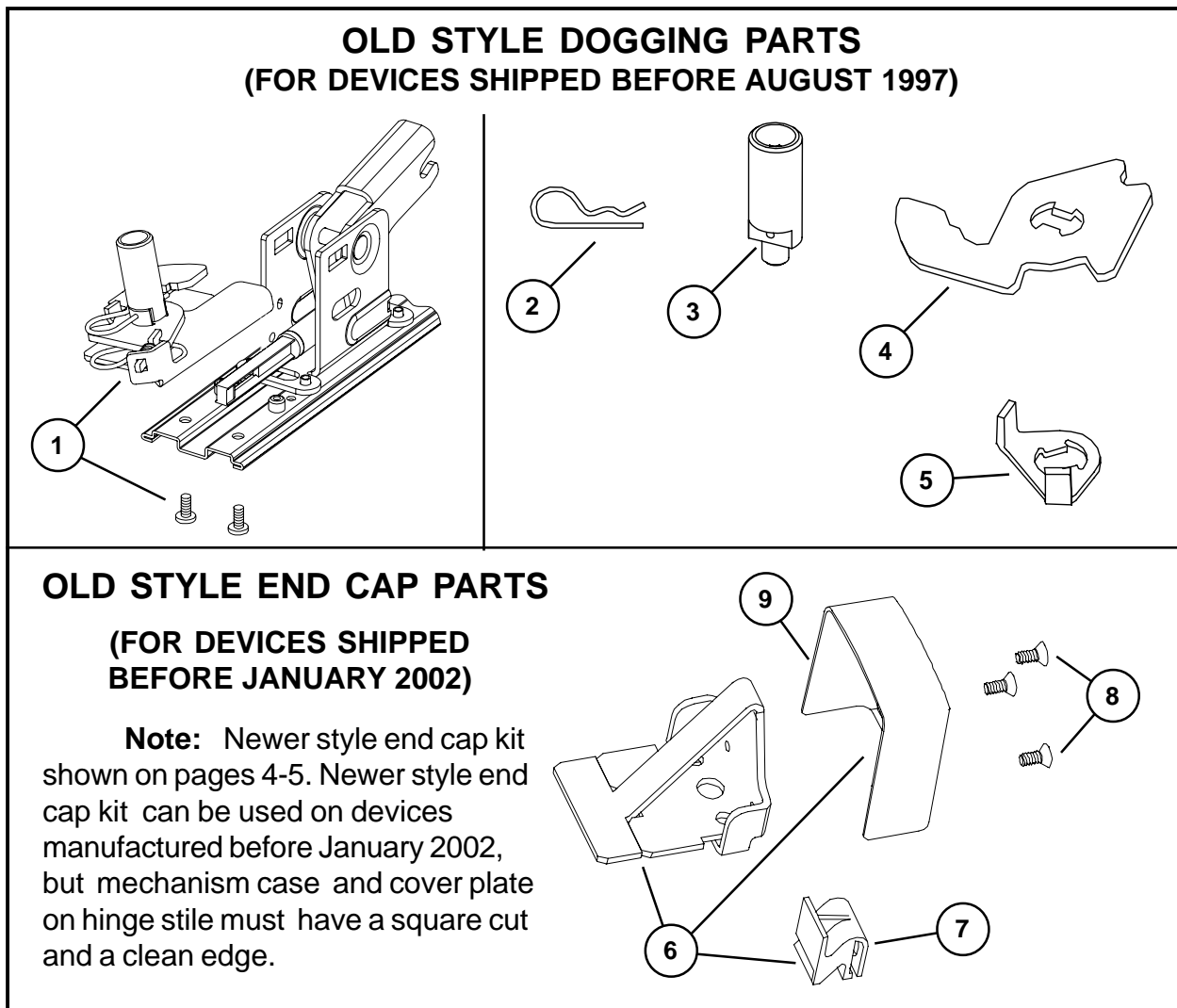
Item No.	Quantity	Part No.	Description	Finish
1	1	109658	Switch Wiring Assembly (R/Y/B Wires)	
2	1	109659	Switch Wiring Assembly (V/G/W Wires)	
3	2	968770	E/SS 7500 Switch Insulator	
4	4	964299	SS7500 Switch Wiring Assembly Screws	



98/99 SERIES SERVICE REPLACEMENT ITEMS

Item No.	Quantity	Part No.	Description	Finish
1	1	050153	Old Style Hex Dogging Replacement Kit	
2	1	963909	#22 Hitch Pin - Hex/CD Dogging Old Style	
3	1	968112	Old Style Hex Dog Shaft	
4	1	969941	Old Style Dogging Hook	
5	1	968116	Old Style CD Actuator Arm	
6	1	900905	Old Style End Cap and Bracket Assembly	X
7	1	970548	Old Style Cover Plate Stop - End Cap	
8	1	900901	Old Style End Cap Screw Package	X
9	1	971082	Old Style 98/99 End Cap - Stainless Steel	X
9	1	971083	Old Style 98/99 End Cap - Brass	X
9	1	971084	Old Style 98/99 End Cap - Bronze	X
9	1	971085	Old Style 98/99 End Cap - Aluminum	X

X in "Finish" column designates finished items; finish must be specified when ordering.



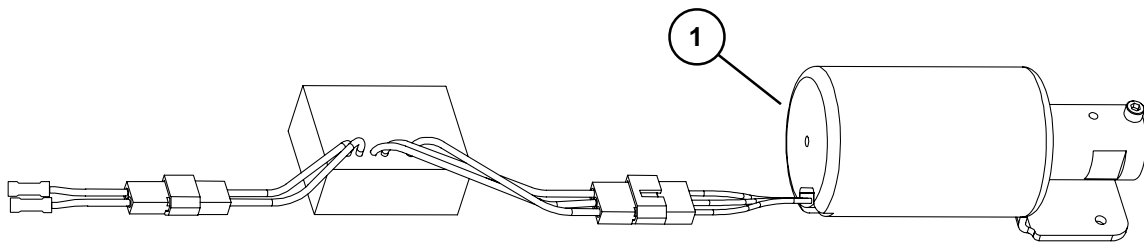
98/99 SERIES SERVICE REPLACEMENT ITEMS

Item No.	Quantity	Part No.	Description	Finish
1	1	050218	EL Solenoid Replacement Kit	

X in "Finish" column designates finished items; finish must be specified when ordering.

EL SOLENOID REPLACEMENT KIT (FOR DEVICES SHIPPED BEFORE JANUARY 1987)

Note: This kit replaces the old style EL solenoid parts with the new style.

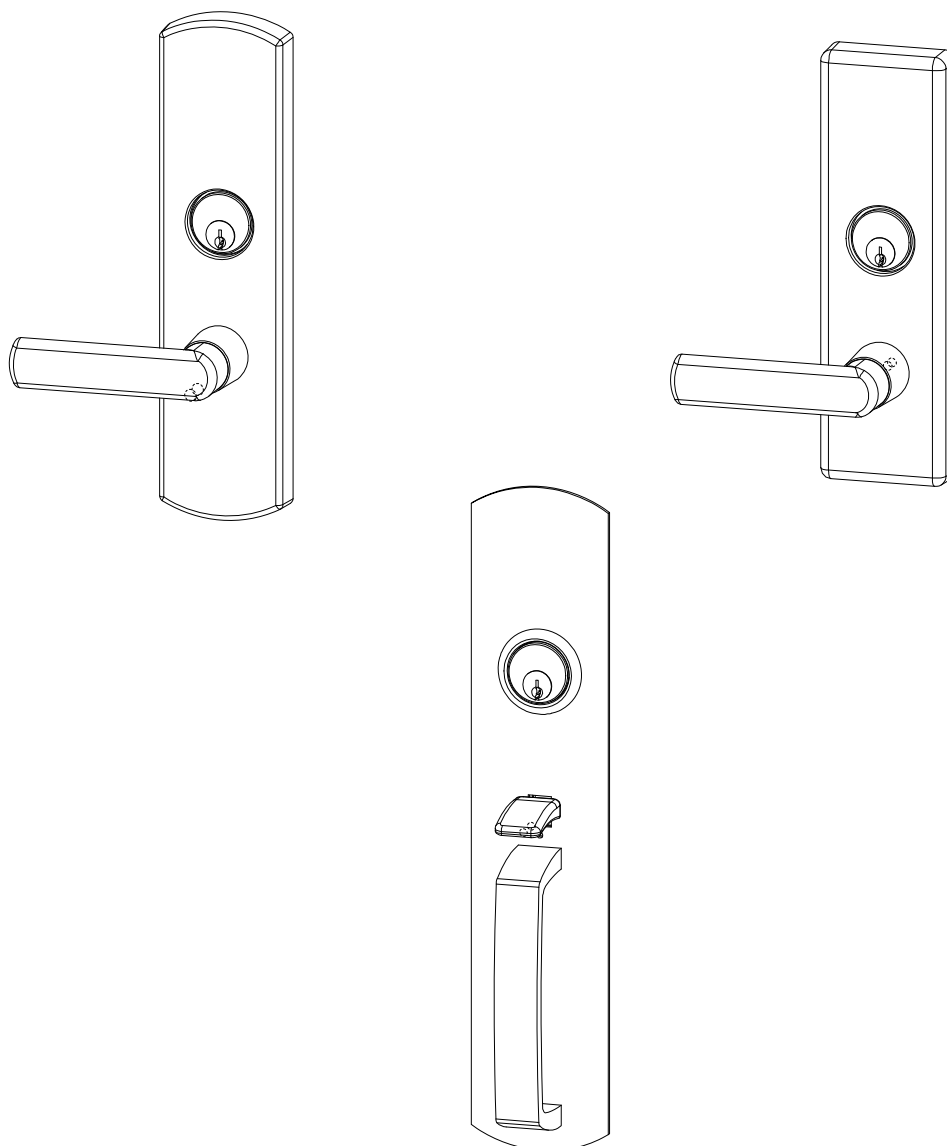


VON DUPRIN®

PARTS MANUAL

JULY 2009

990 SERIES OUTSIDE TRIM



PM990_B
VD-5561

IR Ingersoll Rand
Security Technologies

© 2009 Ingersoll-Rand Company Limited

INDEX

360/370 Series Controls

- 990EO & 990DT TRIM 4
- 990NL-R&V & 990NL-M TRIM 5
- 990TP-R&V & 990TP-BE-R&V TRIM 6
- 990TP-M & 990TP-BE-M TRIM 7
- 991K-R&V TRIM 8
- 991K-BE-R&V TRIM 9
- 991K-NL-R&V TRIM 10
- 991K-M & 991K-M-BE TRIM 11
- 991K-NL-M & 991K-DT TRIM 12**
- 992L-R&V TRIM 13**
- 992L-BE-R&V TRIM 14**
- 992L-NL-R&V TRIM 15**
- 992L-M & 992L-BE-M LEVER TRIM 16
- 992L-M & 992L-BE-M LEVER TRIM 17
- 992L-DT OR RIGID TRIM CONVERSION KIT 18
- 992L REPLACEMENT CAM KITS 18
- 994L-R&V & 994L-R&V-BE LEVER TRIM 19

General Information

- Introduction 2
- How to Order 2
- Trim Levers 3
- Finishes 3

INTRODUCTION

This manual contains a listing of replaceable parts and assemblies for the 990 Series Trims.

HOW TO ORDER

Some parts are sold separately. Other items are available as part of a kit or multiple quantity package. For the best possible service when ordering replacement parts or assemblies, please provide the following information:

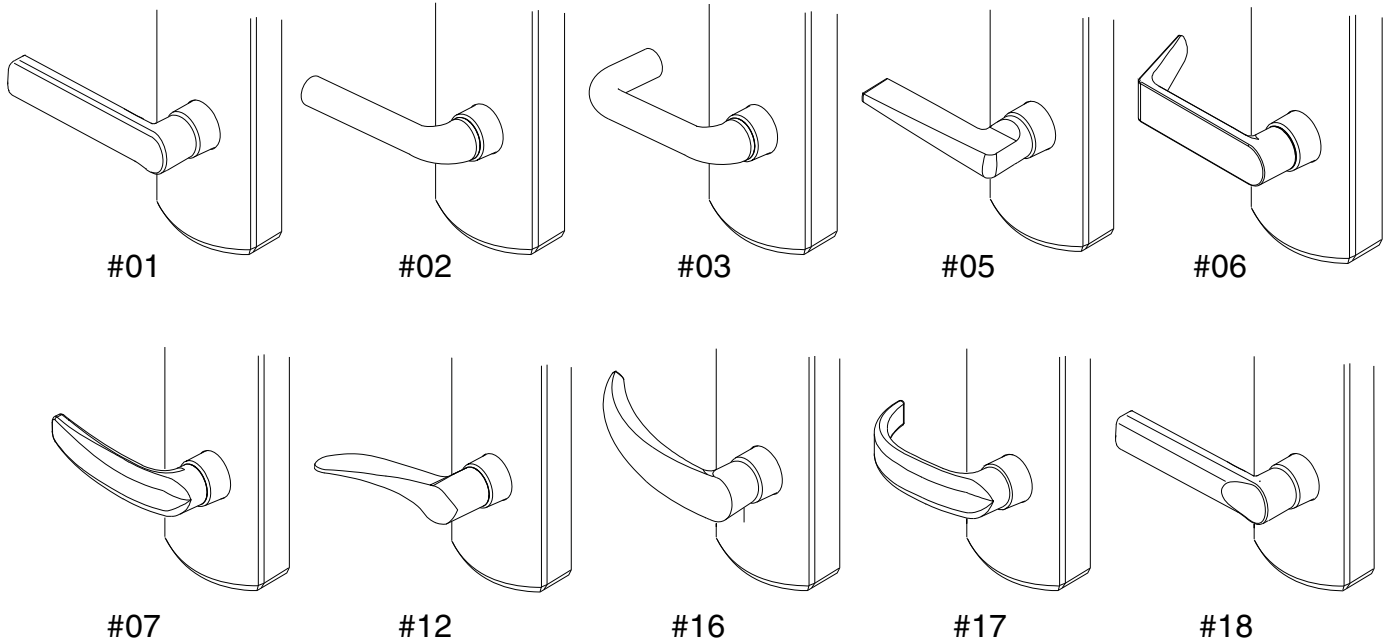
- Part number or assembly number
- Description
- Quantity needed
- Finish desired (if available finished)
- Date of original purchase (if known)

To find out the name of your local Von Duprin distributor or sales representative, contact:

Von Duprin Division
 Ingersoll-Rand Company
 2720 Tobey Drive
 Indianapolis, Indiana 46219
 Phone: (800) 999-0408
 Fax: (800) 999-0328

This manual reflects the product as sold in July 2009. Because of changes to the product and/or manufacturing process, part numbers can change.

992/994/996 TRIM LEVERS



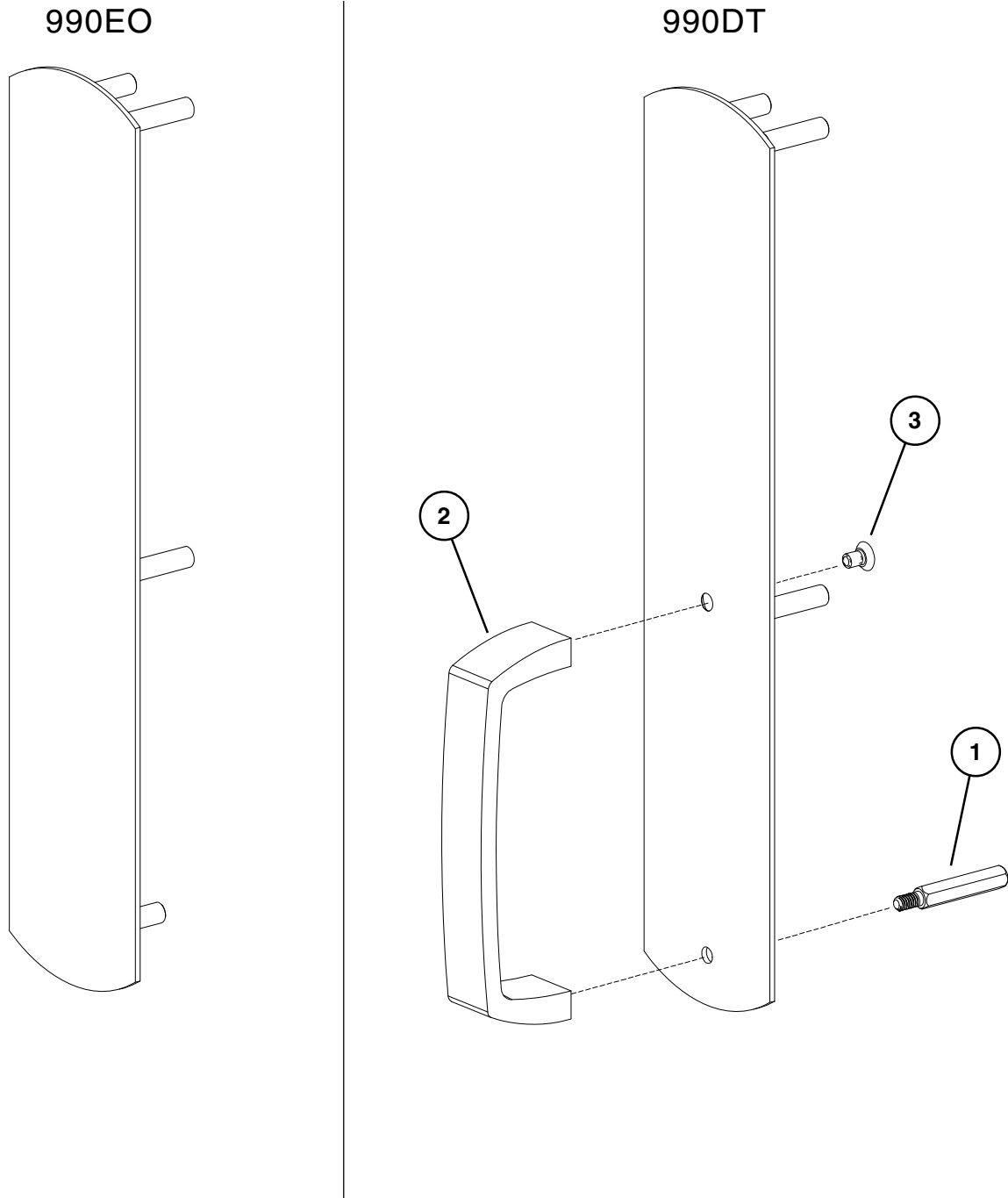
990 SERIES FINISHES

U.S. Std Reference	BHMA Reference	Description
US3	605	Polished Brass
US4	606	Dull Brass
US10	612	Dull Bronze
US15	619	Satin Nickel
US26	625	Polished Chrome
US26D	626	Dull Chrome
US28	628	Anodized Alum. (Clear)
US32D	630	Satin Stainless Steel
313AN	710	Anodized Alum. (313) Dark Bronze
315AN	711	Anodized Alum. (Black)

990EO & 990DT TRIM

Item No.	Quantity	Part No.	Description	Finish
	1	900853	990 Screw Package 1-3/4" - 2-1/4" Dr	
1	1	956760	Hex Stud - 990 Trim	
2	1	972466	Pull Grip	X
3	1	963579	#12-24 x 3/8" UFPHMS	

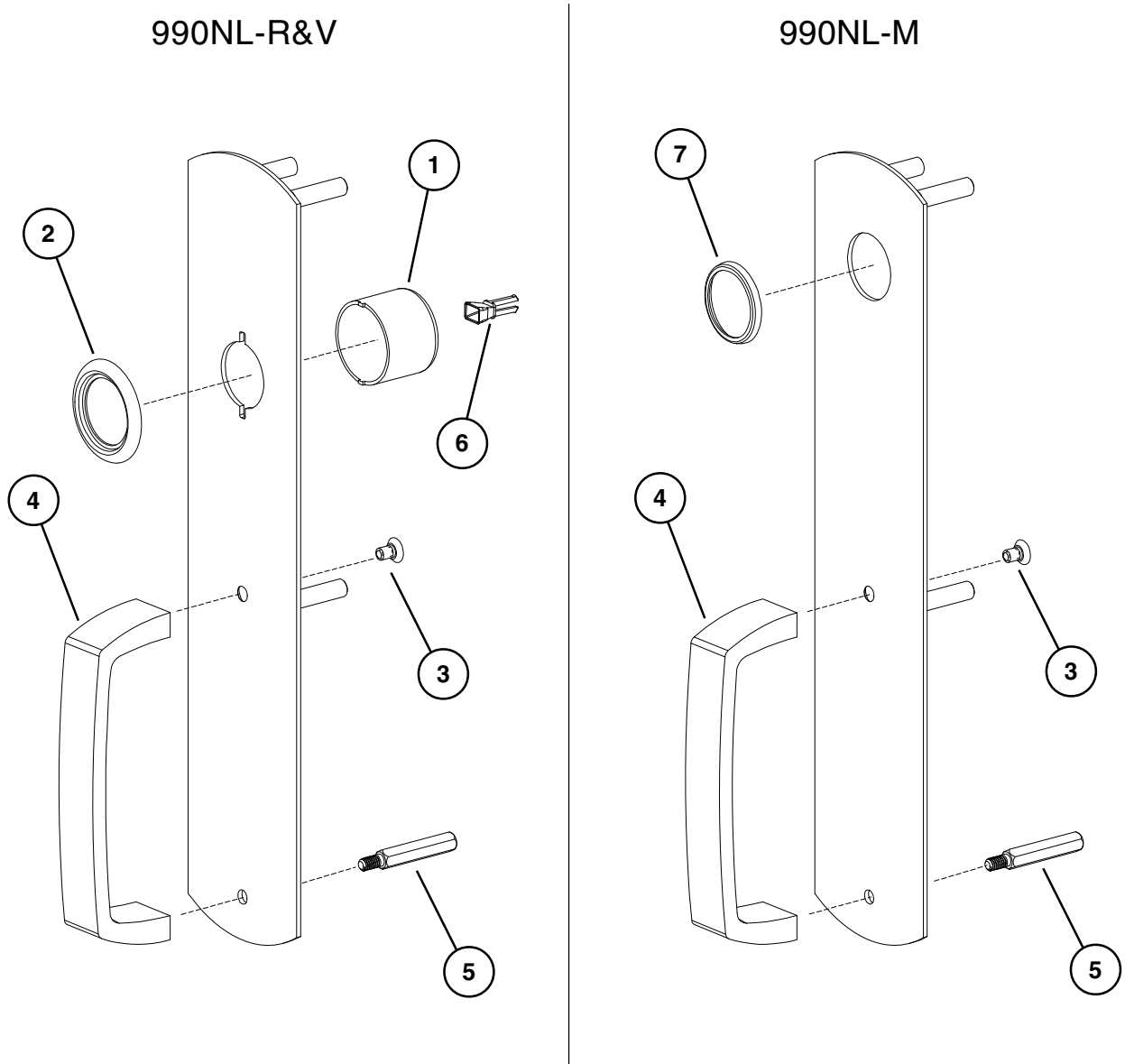
X in "Finish" column designates finished items; finish must be specified when ordering.



990NL-R&V & 990NL-M TRIM

Item No.	Quantity	Part No.	Description	Finish
	1	900853	990 Screw Package 1-3/4" - 2-1/4" Dr	
1	1	968201	Cylinder Retaining Cup	
2	1	965226	Cylinder Collar - R&V	
3	1	963579	#12-24x 3/8" UFPHMS	
4	1	972469	Pull Grip	X
5	1	956760	Hex Stud - 990 Trim	
6	1	050156	Tailpiece Guide (Pkg of 10)	
7	1	961267	Cylinder Collar - Mortise	

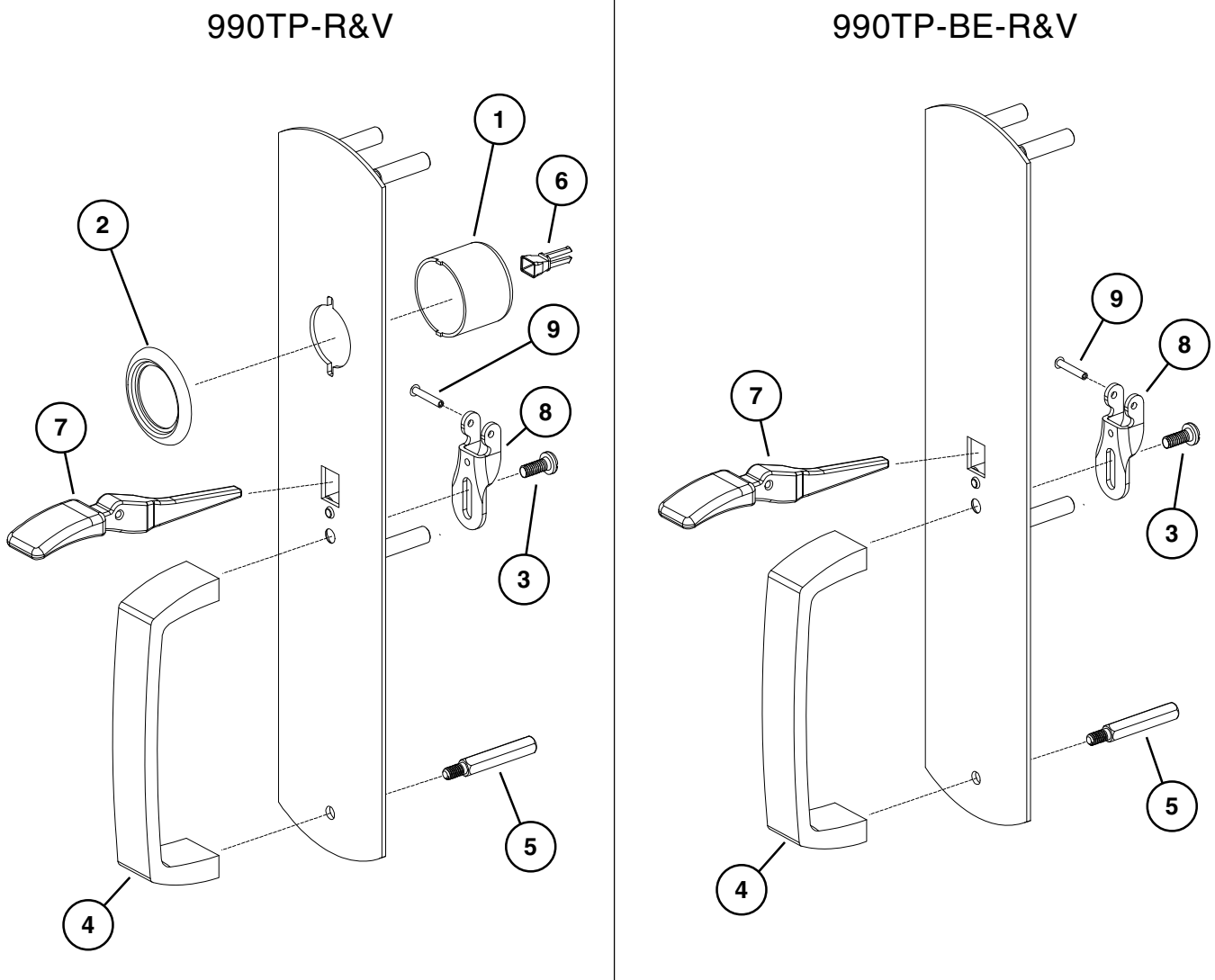
X in "Finish" column designates finished items; finish must be specified when ordering.



990TP-R&V & 990TP-BE-R&V TRIM

Item No.	Quantity	Part No.	Description	Finish
	1	900853	990 Screw Package 1-3/4" - 2-1/4" Dr	
1	1	968201	Cylinder Retaining Cup	
2	1	965226	Cylinder Collar	
3	1	965237	TP Bracket Screw	
4	1	972469	Pull Grip	X
5	1	956760	Hex Stud - 990 Trim	
6	1	050156	Tailpiece Guide (Pkg of 10)	
7	1	970488	Thumbpiece - R&V	X
8	1	969353	Thumbpiece Bracket	
9	1	959603	Thumbpiece Axle	

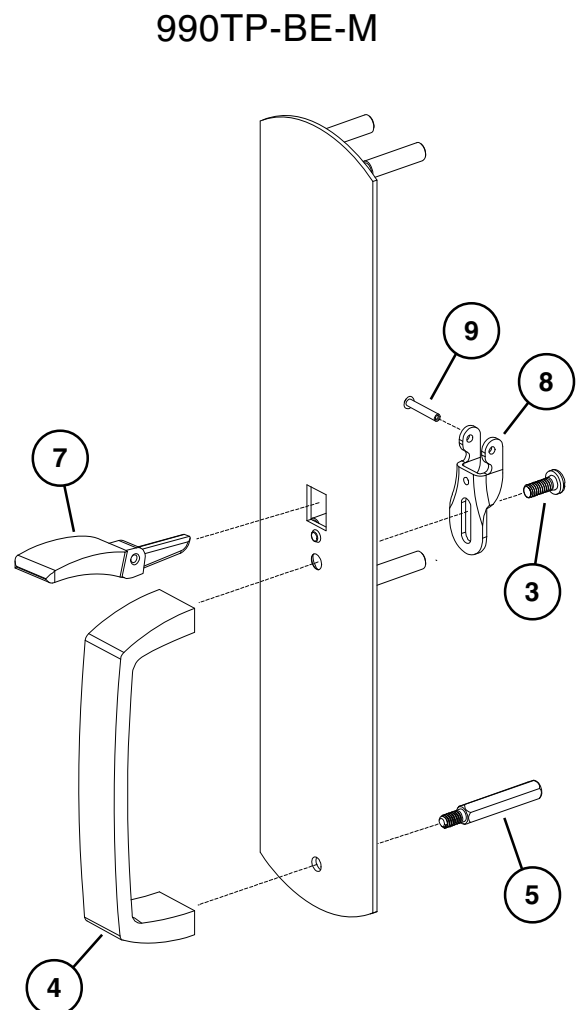
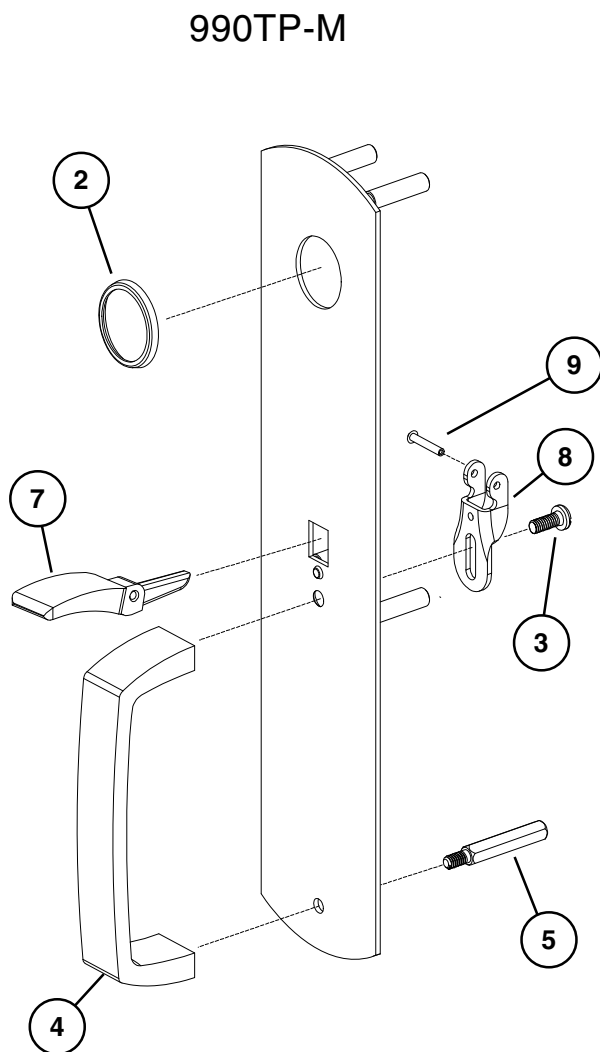
X in "Finish" column designates finished items; finish must be specified when ordering.



990TP-M & 990TP-BE-M TRIM

Item No.	Quantity	Part No.	Description	Finish
	1	900853	990 Screw Package 1-3/4" - 2-1/4" Dr	
2	1	961267	Cylinder Collar	
3	1	965237	TP Bracket Screw	
4	1	972469	Pull Grip	X
5	1	956760	Hex Stud - 990 Trim	
7	1	970950	Thumbpiece - Mortise	X
8	1	969353	Thumbpiece Bracket	
9	1	959603	Thumbpiece Axle	

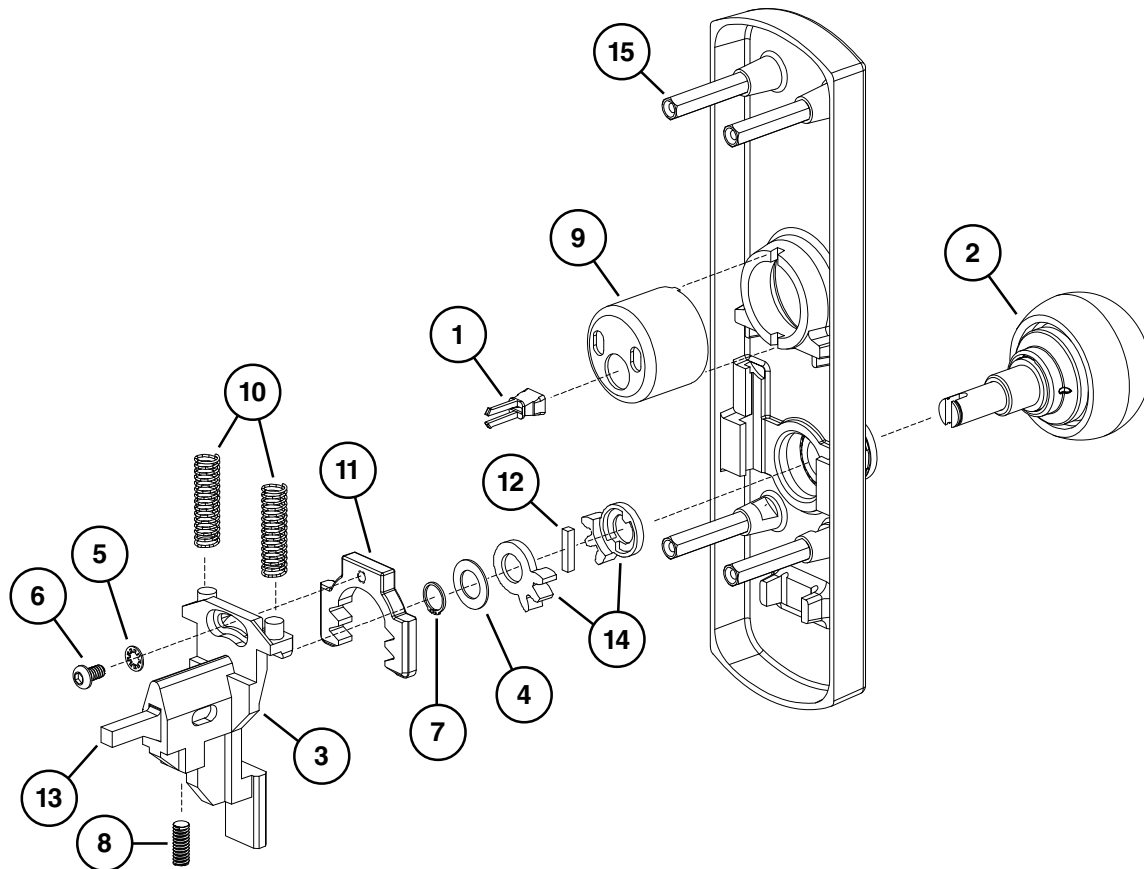
X in "Finish" column designates finished items; finish must be specified when ordering.



991K-R&V TRIM

Item No.	Quantity	Part No.	Description	Finish
	1	900920	991/992/994/996 Screw Package	
1	1	050156	Tailpiece Guide (Pkg of 10)	
2	1	110537	Orbit Knob Assembly - 991K	
3	1	110768	Slider Sub-Assembly - 991K-R/V	
4	1	963105	Flat Washer - 992K-DT/NL/BE/992L	
5	1	963925	#10 Internal Tooth Lock Washer - 991K/992L	
6	1	964086	10-24 x 3/8" Btn Hd Cap Screw - 991K/992L	
7	1	964285	Retaining Ring - 991K-DT/NL/BE/992L	
8	1	964353	1/4-20 x 5/8" Socket Set Screw	
9	1	968201	Cylinder Retaining Cup	
10	1	969012	Spring - 991K	
11	1	969537	Slider Rack - 991K	
12	1	969544	Straight Key - 991K	
13	1	969545	R&V Finger - 991K/992L	
14	1	969551	Pinion Gear - 991K	
15	1	971440	Hex Stud - 991K/992L	

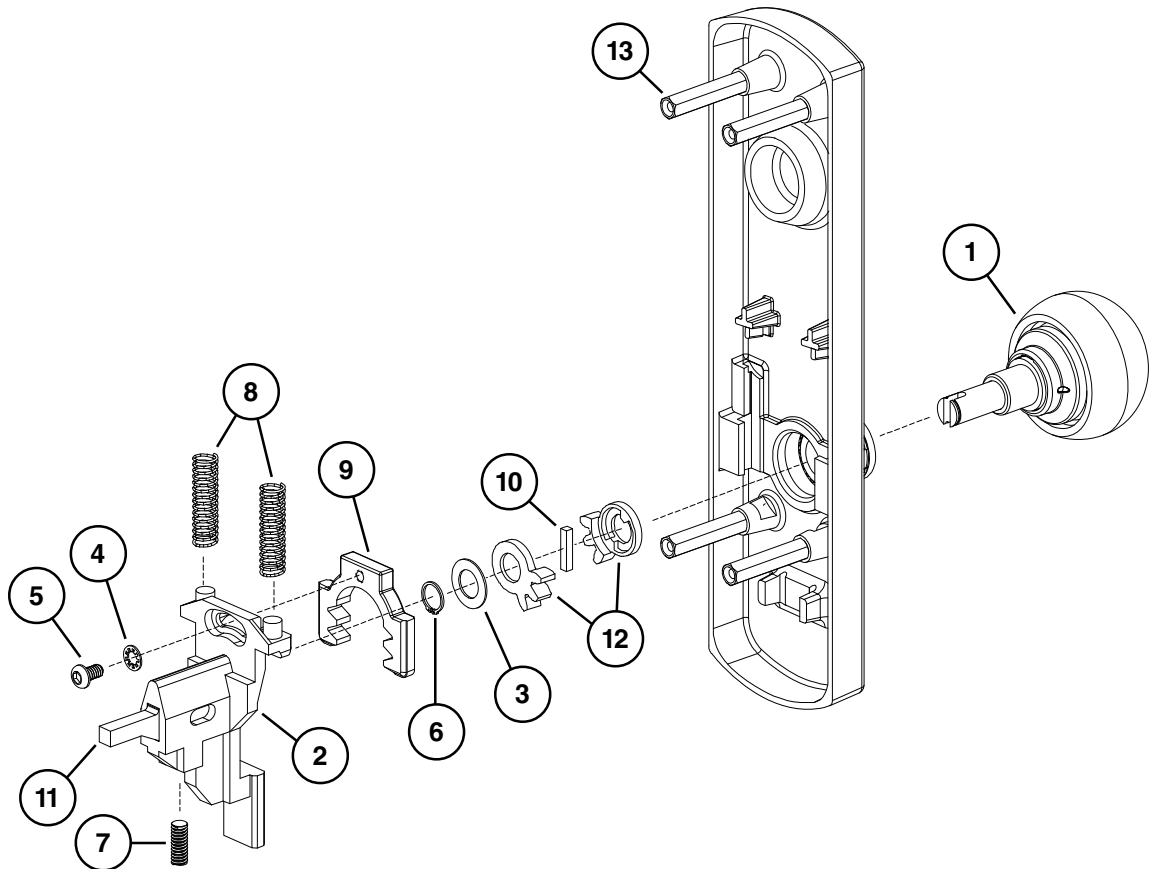
X in "Finish" column designates finished items; finish must be specified when ordering.



991K-BE-R&V TRIM

Item No.	Quantity	Part No.	Description	Finish
	1	900920	991/992/994/996 Screw Package	
1	1	110537	Orbit Knob Assembly - 991K	
2	1	110768	Slider Sub-Assembly - 991K-R/V	
3	1	963105	Flat Washer - 992K-DT/NL/BE/992L	
4	1	963925	#10 Internal Tooth Lock Washer - 991K/992L	
5	1	964086	10-24 x 3/8" Btn Hd Cap Screw - 991K/992L	
6	1	964285	Retaining Ring - 991K-DT/NL/BE/992L	
7	1	964353	1/4-20 x 5/8" Socket Set Screw	
8	1	969012	Spring - 991K	
9	1	969537	Slider Rack - 991K	
10	1	969544	Straight Key - 991K	
11	1	969545	R&V Finger - 991K/992L	
12	1	969551	Pinion Gear - 991K	
13	1	971440	Hex Stud - 991K/992L	

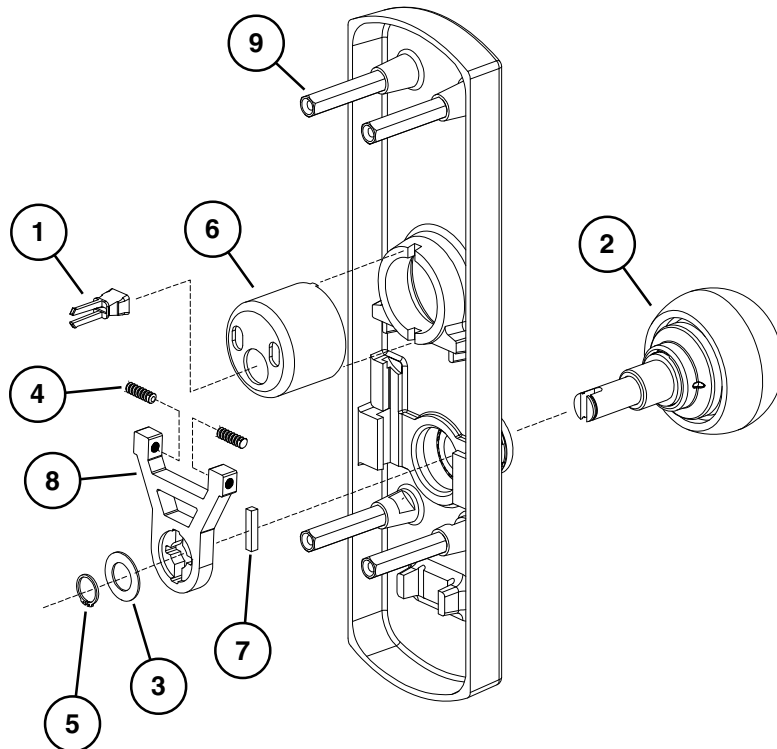
X in "Finish" column designates finished items; finish must be specified when ordering.



991K-NL-R&V TRIM

Item No.	Quantity	Part No.	Description	Finish
	1	900920	991/992/994/996 Screw Package	
1	1	050156	Tailpiece Guide (Pkg of 10)	
2	1	110537	Orbit Knob Assembly - 991K	X
3	1	963105	Flat Washer - 992K-DT/NL/BE/992L	
4	1	964183	10-24 x 1/2" Socket Set Cap Screw	
5	1	964285	Retaining Ring - 991K-DT/NL/BE/992L	
6	1	968201	Cylinder Retaining Cup	
7	1	969544	Straight Key - 991K	
8	1	970117	DT Yoke - 991K/992L (DT and NL)	
9	1	971440	Hex Stud - 991K/992L	

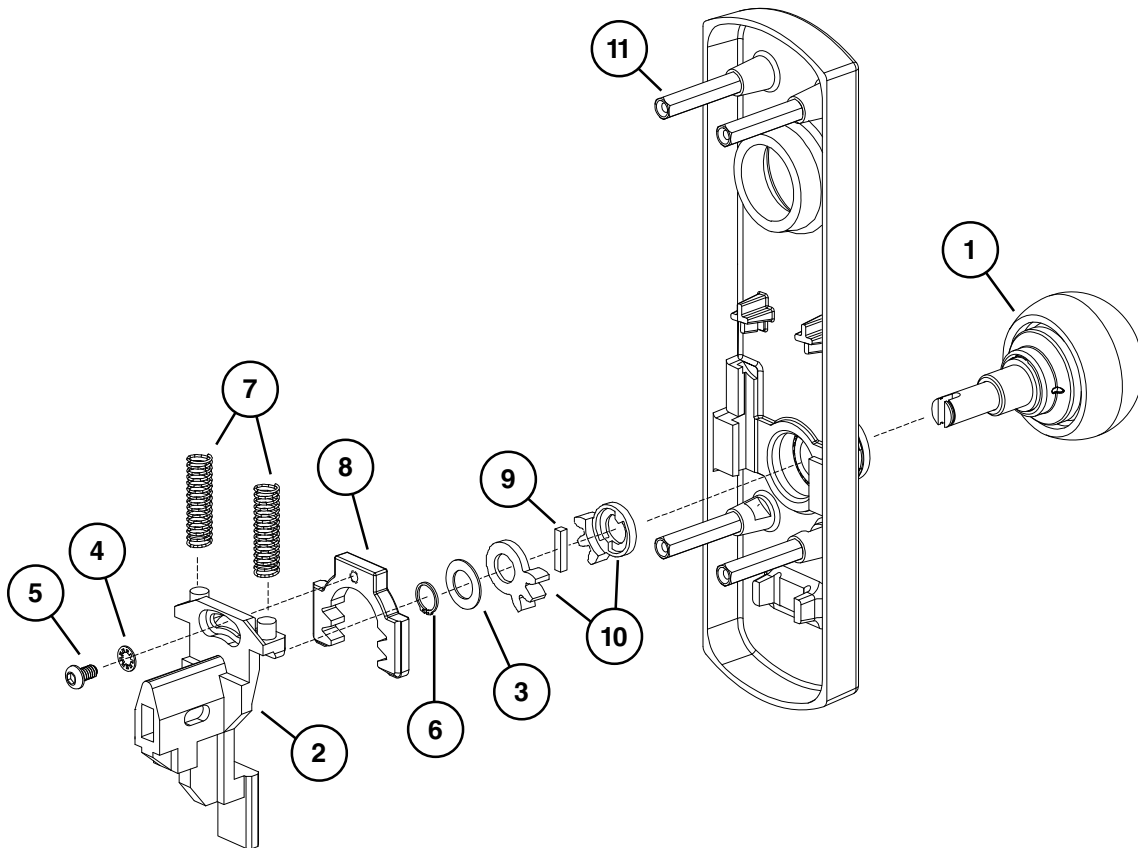
X in "Finish" column designates finished items; finish must be specified when ordering.



991K-M & 991K-M-BE TRIM

Item No.	Quantity	Part No.	Description	Finish
	1	900920	991/992/994/996 Screw Package	
1	1	110537	Orbit Knob Assembly - 991K	
2	1	969535	Slider - 991K-M	
3	1	963105	Flat Washer - 992K-DT/NL/BE/992L	
4	1	963925	#10 Internal Tooth Lock Washer - 991K/992L	
5	1	964086	10-24 x 3/8" Btn Hd Cap Screw - 991K/992L	
6	1	964285	Retaining Ring - 991K-DT/NL/BE/992L	
7	1	969012	Spring - 991K	
8	1	969537	Slider Rack - 991K	
9	1	969544	Straight Key - 991K	
10	1	969551	Pinion Gear - 991K	
11	1	971440	Hex Stud - 991K/992L	

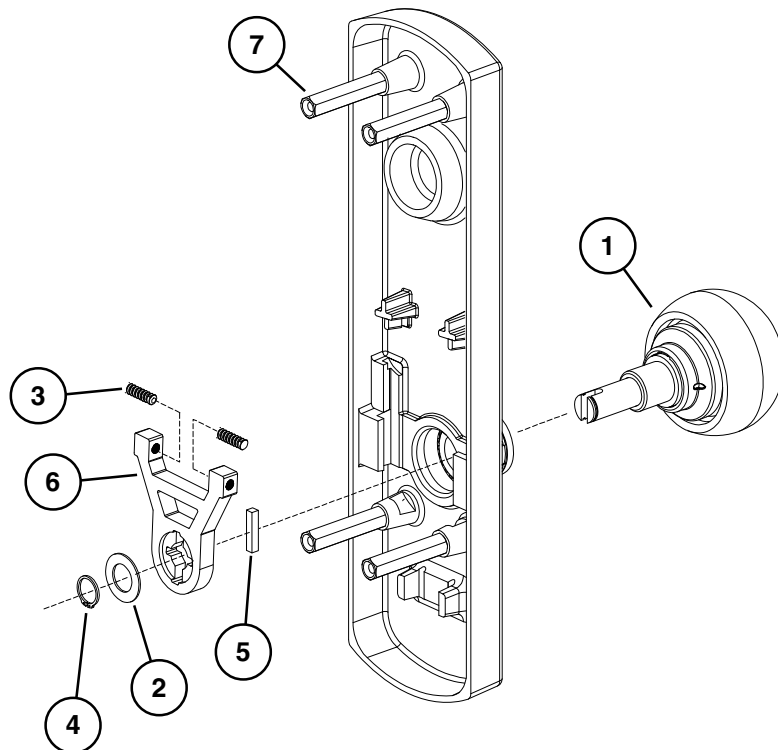
X in "Finish" column designates finished items; finish must be specified when ordering.



991K-NL-M & 991K-DT TRIM

Item No.	Quantity	Part No.	Description	Finish
	1	900920	991/992/994/996 Screw Package	
1	1	110537	Orbit Knob Assembly - 991K	X
2	1	963105	Flat Washer - 992K-DT/NL/BE/992L	
3	1	964183	10-24 x 1/2" Socket Set Cap Screw	
4	1	964285	Retaining Ring - 991K-DT/NL/BE/992L	
5	1	969544	Straight Key - 991K	
6	1	970117	DT Yoke - 991K/992L (DT and NL)	
7	1	971440	Hex Stud - 991K/992L	

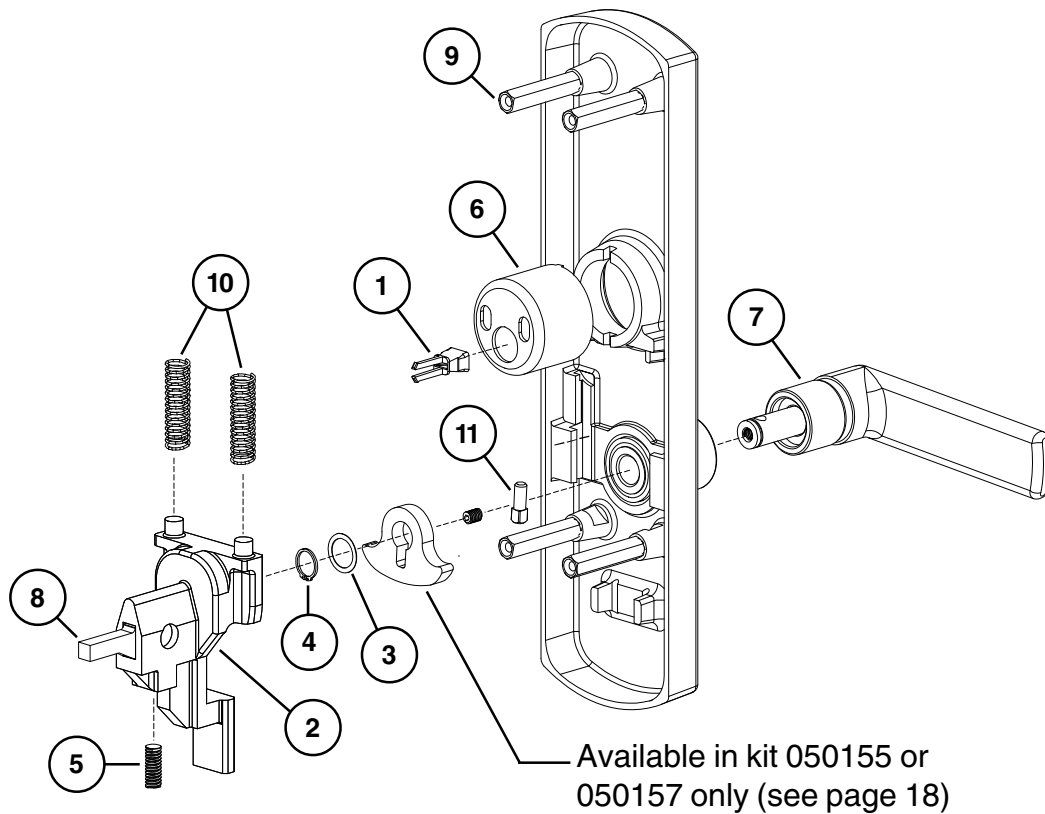
X in "Finish" column designates finished items; finish must be specified when ordering.



992L-R&V TRIM

Item No.	Quantity	Part No.	Description	Finish
	1	900920	991/992/994/996 Screw Package	
1	1	050156	Tailpiece Guide (Pkg of 10)	
2	1	110769	Slider Sub-Assembly - 992L-R/V	
3	1	090103	Wave Spring Washer - 992L Pkg/10	
4	1	964285	Retaining Ring - 991K-DT/NL/BE/992L	
5	1	964353	1/4-20 x 5/8" Socket Set Screw	
6	1	968201	Cylinder Retaining Cup	
7	1	969541	Lever Bushing - 992/994/996	
8	1	969545	R&V Finger - 991K/992L	
9	4	971440	Hex Stud - 991K/992L	
10	2	971573	Lift Spring - 992/994	
11	1	050611	Shear Pin - 992/994/996 w/Retaining Ring	

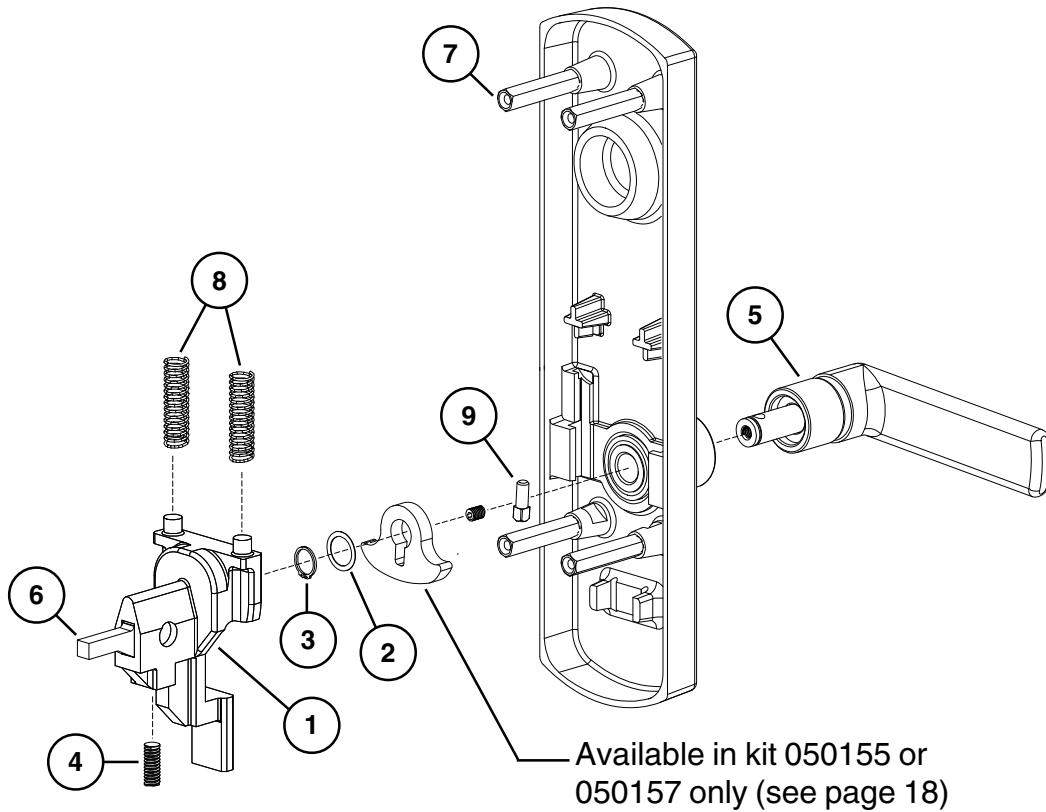
X in "Finish" column designates finished items; finish must be specified when ordering.



992L-BE-R&V TRIM

Item No.	Quantity	Part No.	Description	Finish
	1	900920	991/992/994/996 Screw Package	
1	1	110769	Slider Sub-Assembly - 992L-R/V	
2	1	090103	Wave Spring Washer - 992L Pkg/10	
3	1	964285	Retaining Ring - 991K-DT/NL/BE/992L	
4	1	964353	1/4-20 x 5/8" Socket Set Screw	
5	1	969541	Lever Bushing - 992/994/996	
6	1	969545	R&V Finger - 991K/992L	
7	4	971440	Hex Stud - 991K/992L	
8	2	971573	Lift Spring - 992/994	
9	1	050611	Shear Pin - 992/994/996 w/Retaining Ring	

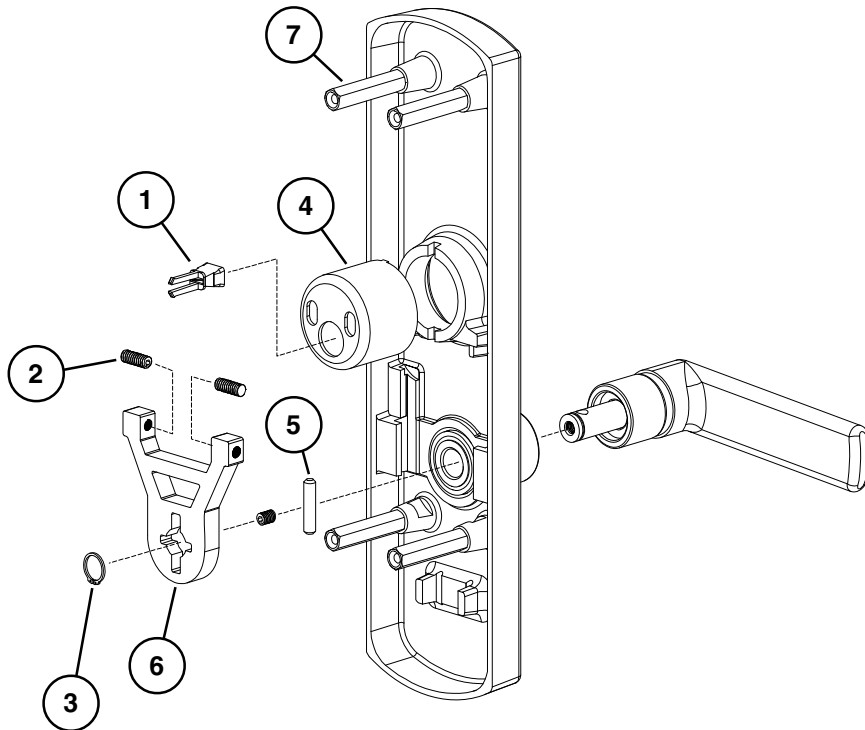
X in "Finish" column designates finished items; finish must be specified when ordering.



992L-NL-R&V TRIM

Item No.	Quantity	Part No.	Description	Finish
	1	900920	991/992/994/996 Screw Package	
1	1	050156	Tailpiece Guide (Pkg of 10)	
2	1	964183	10-24 x 1/2" Socket Set Cap Screw	
3	1	964285	Retaining Ring - 991K-DT/NL/BE/992L	
4	1	968201	Cylinder Retaining Cup	
5	1	971015	DT Cam Pin - 992/994/996	
6	1	970117	DT Yoke - 991K/992L (DT and NL)	
7	1	971440	Hex Stud - 991K/992L	

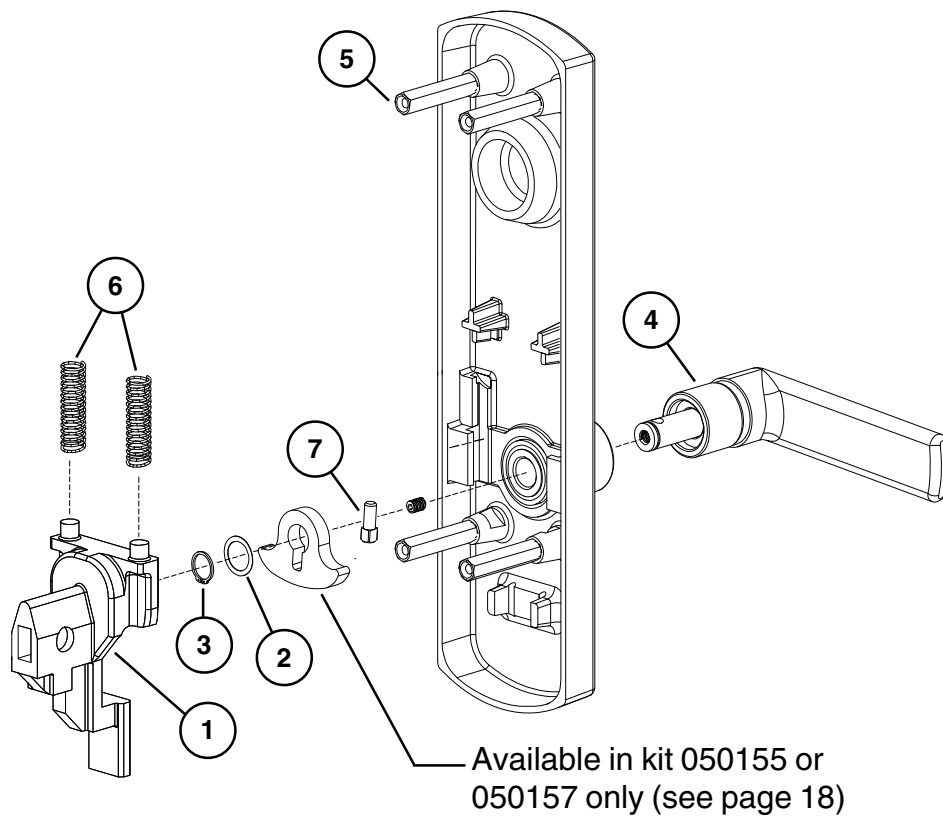
X in "Finish" column designates finished items; finish must be specified when ordering.



992L-M & 992L-BE-M LEVER TRIM

Item No.	Quantity	Part No.	Description	Finish
	1	900920	991/992/994/996 Screw Package	
1	1	971012	Slider Sub-Assembly - 992L-M	
2	1	090103	Wave Spring Washer - 992L Pkg/10	
3	1	964285	Retaining Ring - 991K-DT/NL/BE/992L	
4	1	969541	Lever Bushing - 992/994/996	
5	4	971440	Hex Stud - 991K/992L	
6	2	971573	Lift Spring - 992/994	
7	1	050611	Shear Pin - 992/994/996 w/Retaining Ring	

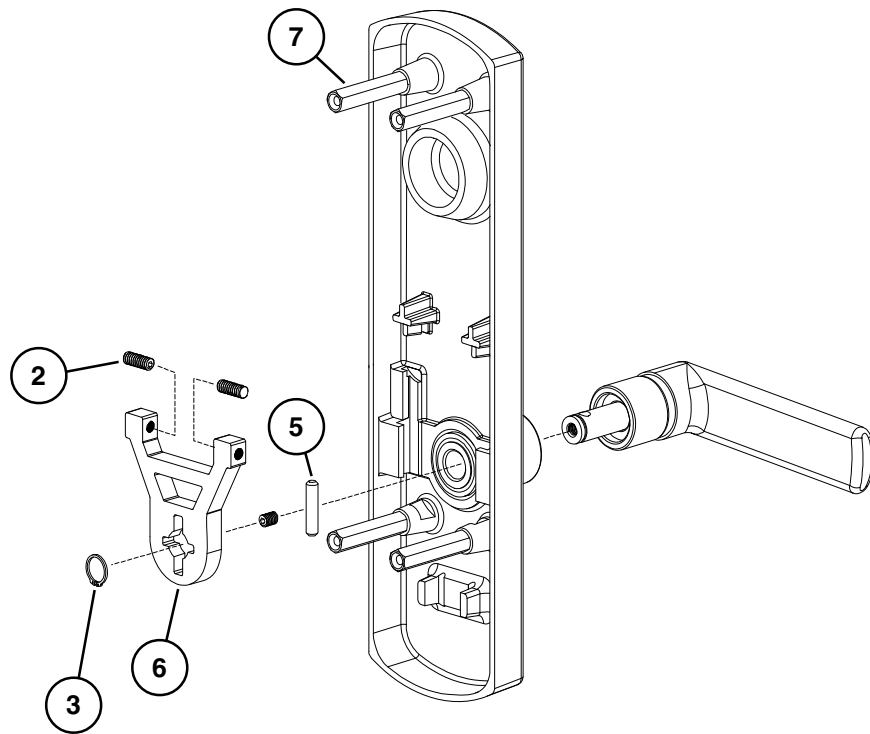
X in "Finish" column designates finished items; finish must be specified when ordering.



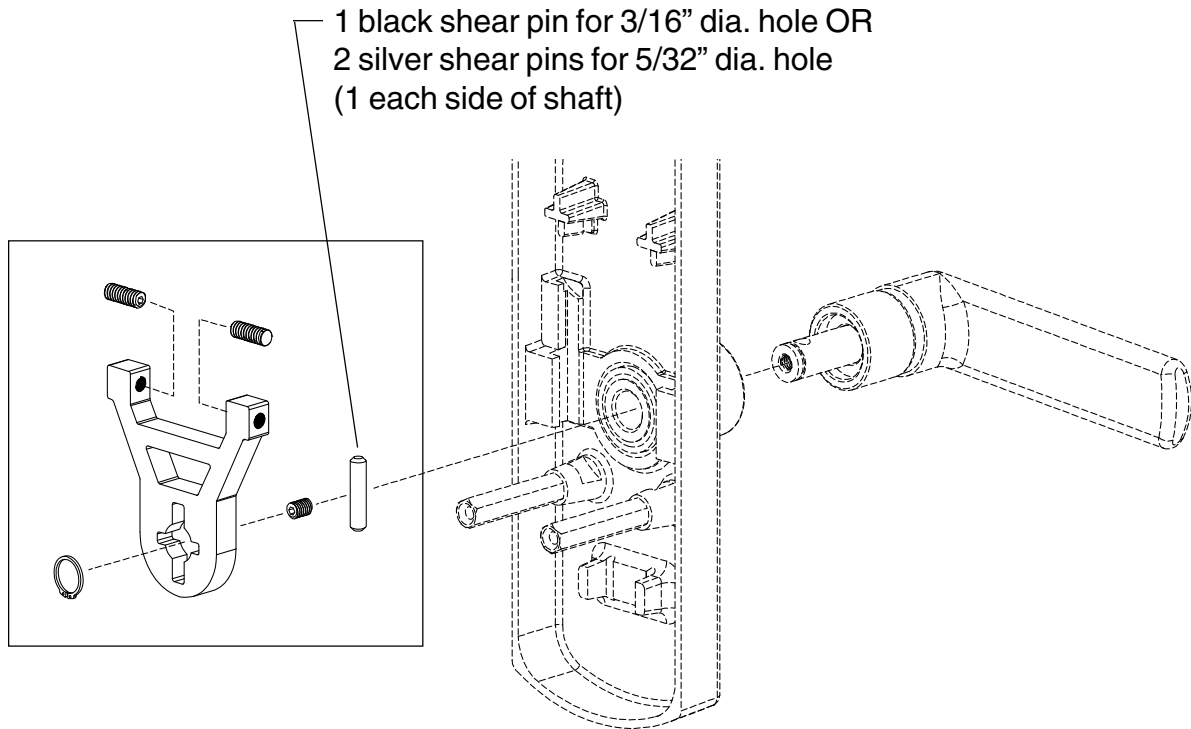
992L-NL-M & 992L-DT-M TRIM

Item No.	Quantity	Part No.	Description	Finish
	1	900920	991/992/994/996 Screw Package	
2	1	964183	10-24 x 1/2" Socket Set Cap Screw	
3	1	964285	Retaining Ring - 991K-DT/NL/BE/992L	
5	1	971015	DT Cam Pin - 992/994/996	
6	1	970117	DT Yoke - 991K/992L (DT and NL)	
7	1	971440	Hex Stud - 991K/992L	

X in "Finish" column designates finished items; finish must be specified when ordering.

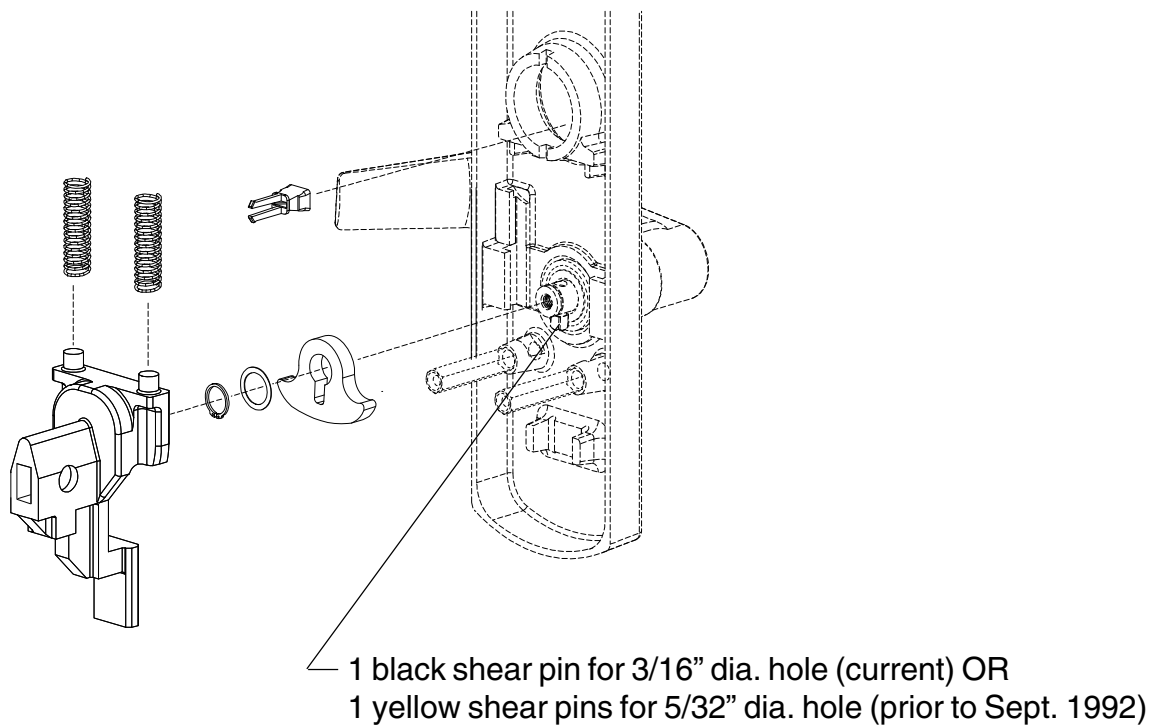


992L-DT OR RIGID TRIM CONVERSION KIT - 050154



992L REPLACEMENT CAM KIT W/SLIDER - 050155

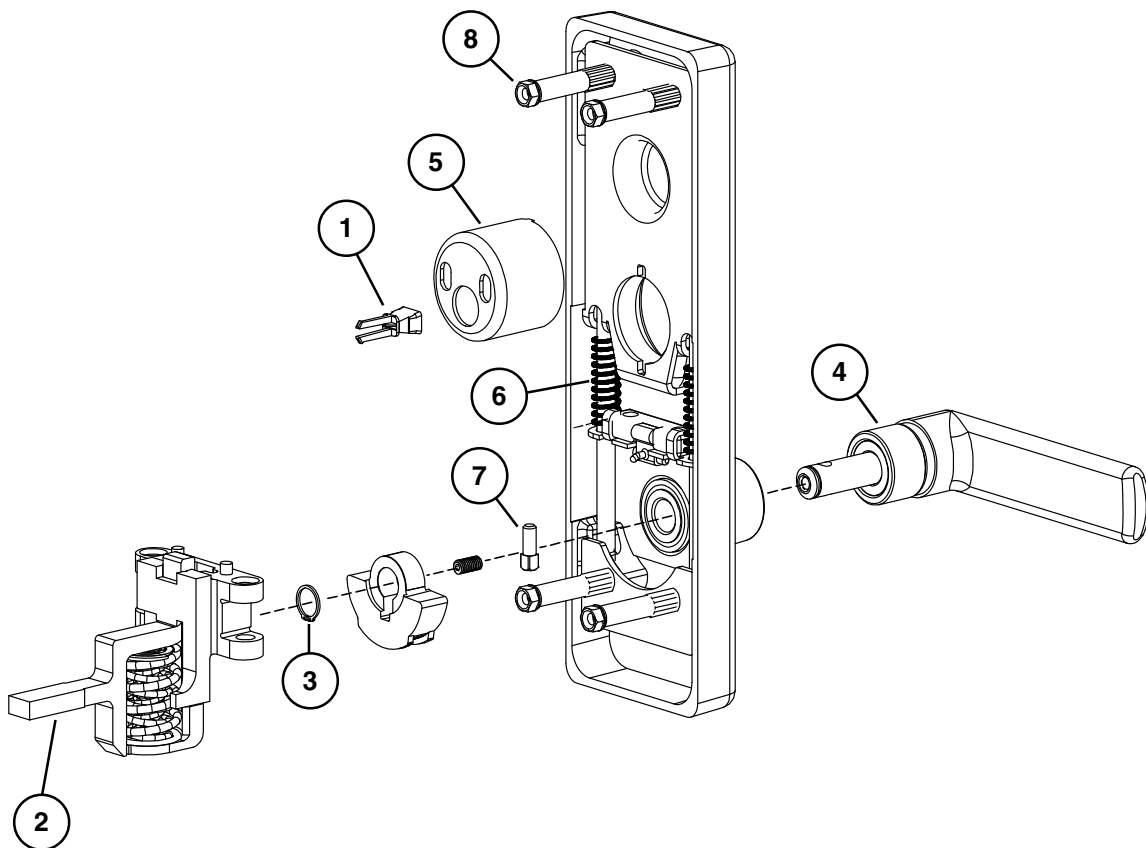
992L REPLACEMENT CAM KIT LESS SLIDER - 050157



994L-R&V & 994L-R&V-BE LEVER TRIM

Item No.	Quantity	Part No.	Description	Finish
	1	900920	991/992/994/996 Screw Package	
1	1	050156	Tailpiece Guide Lead Kit	
2	1	112461	Slider Sub-Assembly - 994/996L-R/V	
3	1	964285	Retaining Ring - 991K-DT/NL/BE/992L	
4	1	969541	Lever Bushing - 992/994/996	
5	4	968201	Cylinder Retaining Cup - 990 Trim	
6	2	971573	Lift Spring - 992/994	
7	1	050611	Shear Pin - 992/994/996 w/Retaining Ring	
8	4	971585	Mounting Stud - 994/996	

X in "Finish" column designates finished items; finish must be specified when ordering.



VON DUPRIN

PARTS MANUAL

JULY 2001



2670 EXIT ALARM LOCK

2609 DOUBLE DOOR EXIT ALARM LOCK



INDEX

2670 Exit Alarm Lock

Lock Side	3
Hinge Side	5

General Information

How to Order	2
Finishes	2
Outside Trim Functions	3
Strikes.....	3

PART NUMBER CHANGES

This manual reflects the product as sold in July 2001. Because of changes to the product and/or manufacturing process, part numbers can change.

2670 FINISHES

U.S. Std. Reference	BHMA Reference	Description
US28	628	Anodized Alum. (Clear)
313AN	710	Anodized Alum. (313) Dark Bronze
315AN	711	Anodized Alum. (315) Black

INTRODUCTION

This Manual contains a listing of replaceable parts and assemblies for the 2670 Exit Alarm Lock (EAL) Device and the 2609 Double Door Exit Alarm Lock. The 2609 Double Door Exit Alarm Lock contains a 2670 Device and Double Door Strike.

HOW TO ORDER

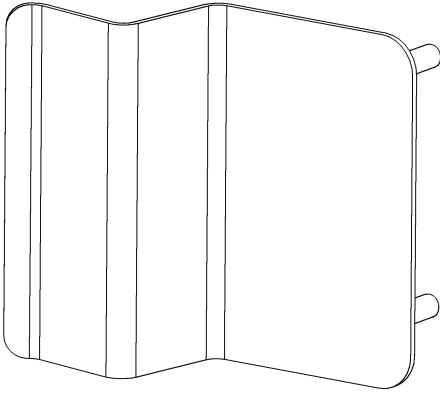
Some parts are sold separately. Other items are available as part of an assembly. For the best possible service when ordering replacement parts or assemblies, please provide the following information:

- Part or Assembly number
- Description
- Quantity needed
- Finish desired (if available finished)
- Date of original purchase, if known

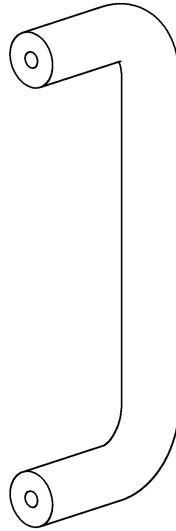
Exit Device Division
Ingersoll-Rand Company
2720 Tobey Drive
Indianapolis, Indiana 46219
Phone: (800) 999-0408
(317) 613-8944
Fax: (800) 999-0328
(317) 613-8302

OUTSIDE TRIM FUNCTIONS

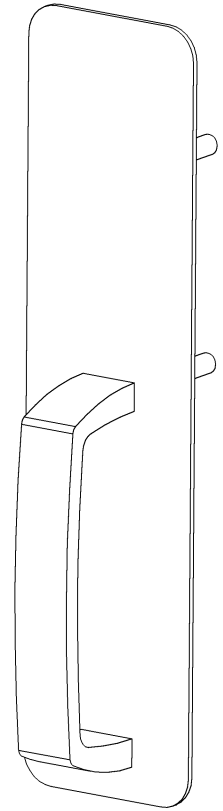
210DT



IVES - 8102 *

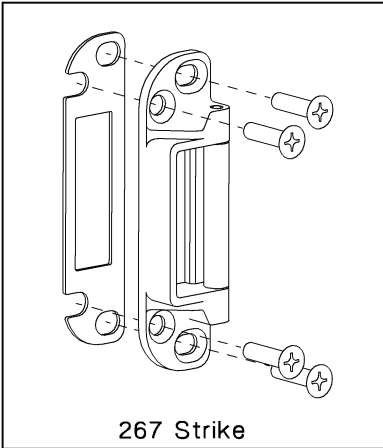


230DT



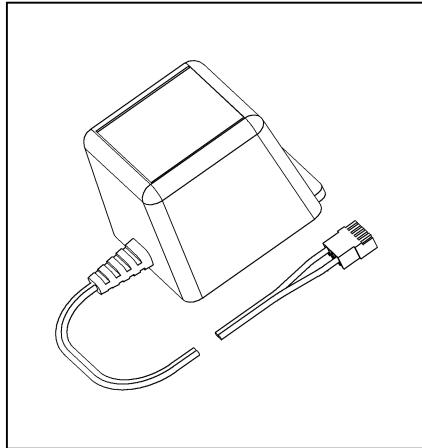
"DT" (Dummy Trim) for pull operation

STANDARD STRIKE

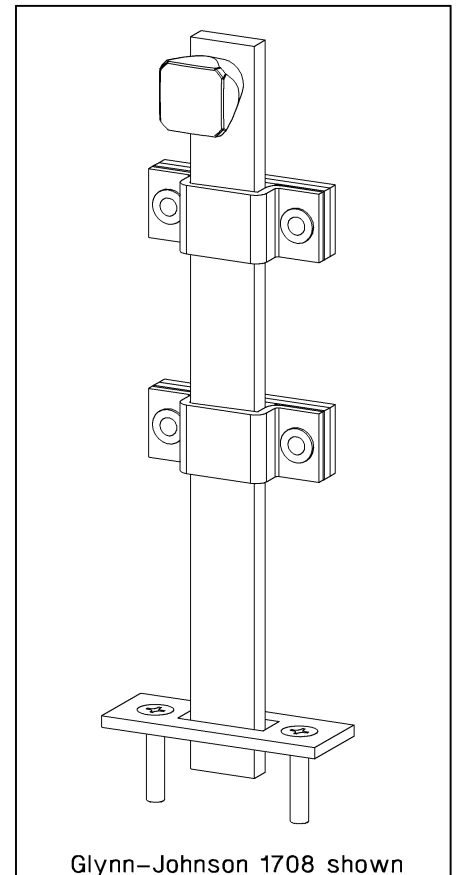


267 Strike

PT790 (Transformer)

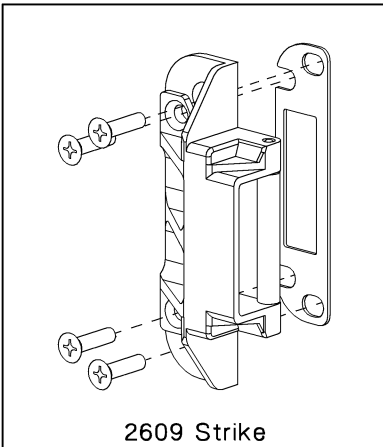


SURFACE OR FLUSH BOLTS



Glynn-Johnson 1708 shown

DOUBLE DOOR STRIKE



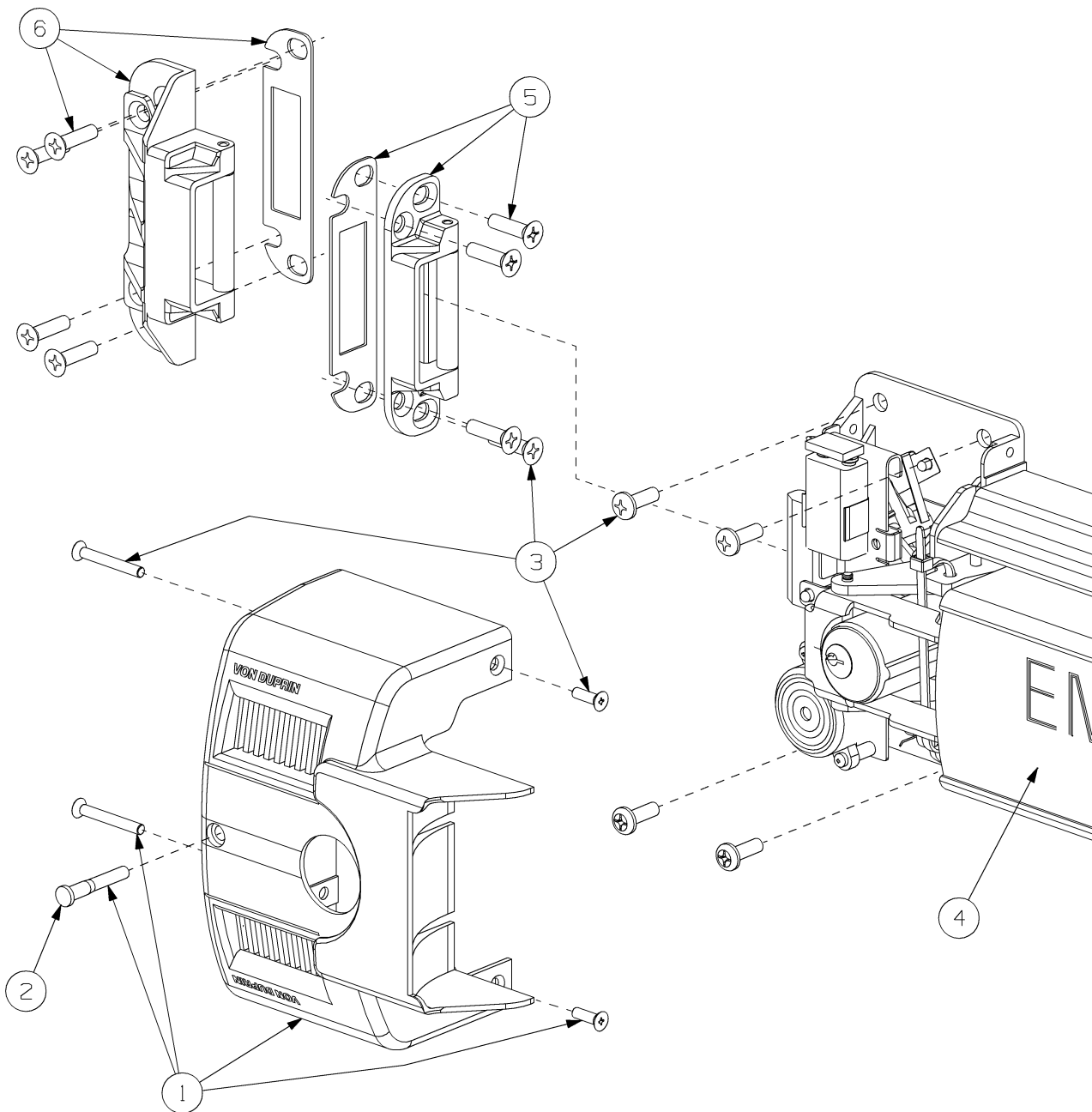
2609 Strike

* Ives products can be purchased separately.
Customer Service #(877) 613-8766 Fax #(877) 424-8494

2670 & 2609 EXIT ALARM LOCK (LOCKSIDE)

ITEM NO.	QTY	PART NO.	DESCRIPTION	FINISH
1	1	COVER.109	2670 Lock Cover Kit - US28	X
1	1	COVER.112	2670 Lock Cover Kit - 315AN	X
1	1	COVER.113	2670 Lock Cover Kit - 313AN	X
2	1	PIPE.101	Lightpipe Kit	
3	1	PKGSCR.1001	2670 Complete Mounting Screw Pack - SP28	X
3	1	PKGSCR.1002	2670 Complete Mounting Screw Pack - Black	X
4	1	SIGN.1001	2670 Alarm Sign - French w/Braille	
4	1	SIGN.1002	2670 Alarm Sign - Spanish w/Braille	
4	1	SIGN.1003	2670 Alarm Sign - English w/Braille	
5	1	STRIKE.101	267 Strike Package - US19	
6	1	STRIKE.102	2609 Strike Package - US19	

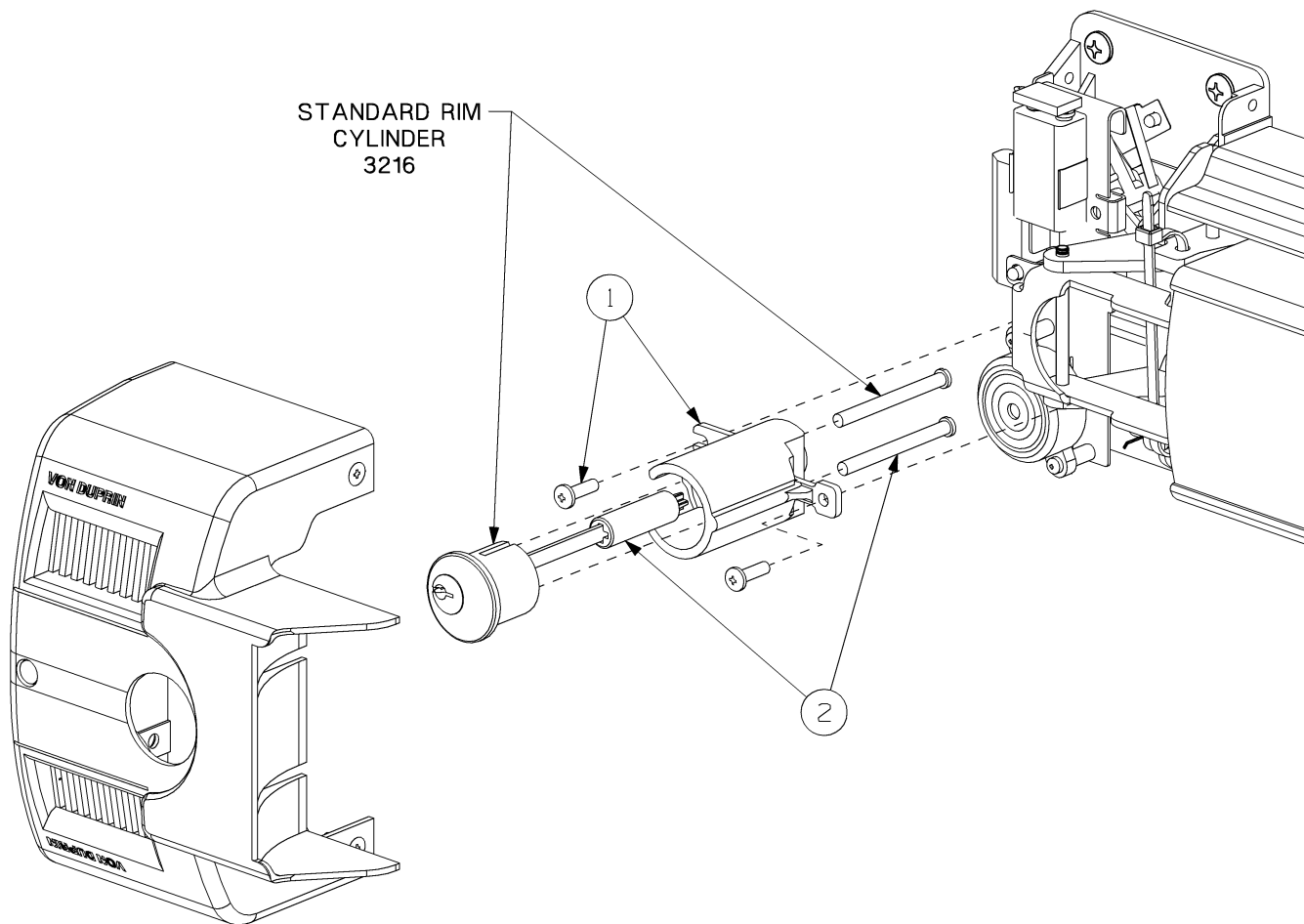
X DESIGNATES FINISHED ITEMS AND FINISH MUST BE SPECIFIED WHEN ORDERING



2670 & 2609 EXIT ALARM LOCK (LOCKSIDE)

ITEM NO.	QTY	PART NO.	DESCRIPTION	FINISH
1	1	BRKT.121	2670 Cylinder Retaining Bracket Kit	
2	1	PKGSCR.1001	2670 Complete Mounting Screw Pack - SP28	X
2	1	PKGSCR.1002	2670 Complete Mounting Screw Pack - Black	X

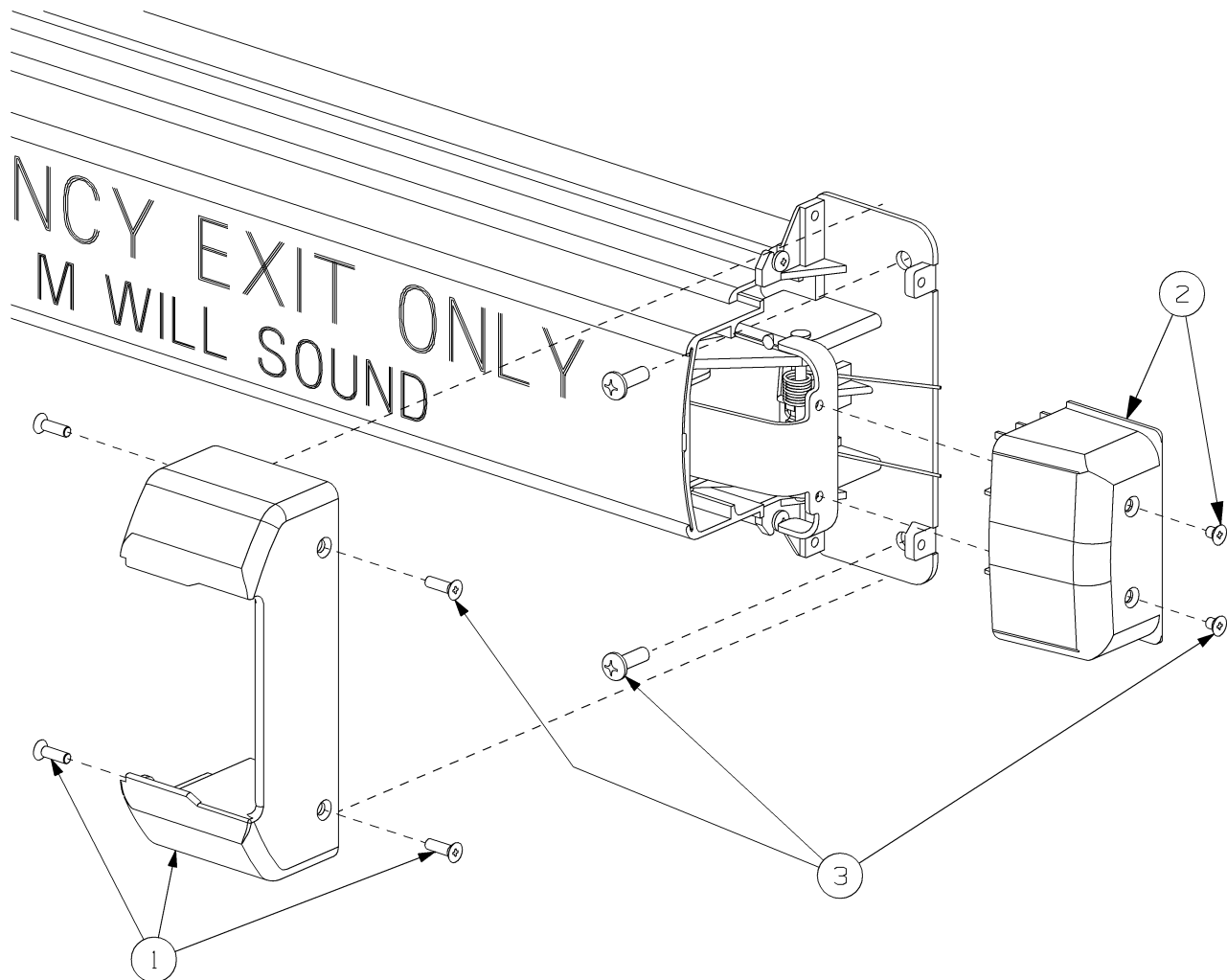
X DESIGNATES FINISHED ITEMS AND FINISH MUST BE SPECIFIED WHEN ORDERING



2670 & 2609 EXIT ALARM LOCK (HINGE SIDE)

ITEM NO.	QTY	PART NO.	DESCRIPTION	FINISH
1	1	COVER.114	2670 Hinge Cover Kit - US28	X
1	1	COVER.115	2670 Hinge Cover Kit - 315AN	X
1	1	COVER.116	2670 Hinge Cover Kit - 313AN	X
2	1	ECAP.105	2670 Pushbar Endcap Kit - US28	X
2	1	ECAP.106	2670 Pushbar Endcap Kit - 315AN	X
2	1	ECAP.107	2670 Pushbar Endcap Kit - 313AN	X
3	1	PKGSCR.1001	2670 Complete Mounting Screw Pack - SP28	X
3	1	PKGSCR.1002	2670 Complete Mounting Screw Pack - Black	X

X DESIGNATES FINISHED ITEMS AND FINISH MUST BE SPECIFIED WHEN ORDERING



VON DUPRIN®

990 Series Outside Trim

Service manual



Contents

5	General information
5	Introduction
5	How to order
5	Contact
6	992/994/996 trim levers
6	Standard levers
6	Decorative levers
7	M collection levers
7	990 series finishes
8	992/994/996 trims
8	990EO & 990DT trim
9	990NL-R&V & 990NL-M trim
10	990TP-R&V & 990TP-BE-R&V trim
11	990TP-M & 990TP-BE-M trim
12	991K-R&V trim
13	991K-BE-R&V trim
14	991K-NL-R&V trim
15	991K-M & 991K-M-BE trim
16	991K-NL-M & 991K-DT trim
17	992L-R&V trim
18	992L-BE-R&V trim
19	992L-NL-R&V trim
20	992L-M & 992L-BE-M trim
21	992L-NL-M & 992L-DT-M trim
22	992L-DT or RIGID trim conversion kit - 050154
23	994L-R&V & 994L-R&V-BE trim
24	994L-M & 994L-M-BE trim
25	996L-R&V & 996L-R&V-BE trim
26	996L-M & 996L-M-BE trim
27	E996L-R&V trim
28	E996L-M trim

General information

Introduction

This manual contains a listing of replaceable parts and assemblies for the 990 Series Trims.

How to order

Some parts are sold separately. Other items are available as part of a kit or multiple quantity package.

For the best possible service when ordering replacement parts or assemblies, please provide the following information:

- Part number or assembly number
- Description
- Quantity needed
- Finish desired (if available finished)
- Date of original purchase (if known)

This manual reflects the product as sold in August 2014. Because of changes to the product and/or manufacturing process, part numbers can change.

Contact

To find out the name of your local Von Duprin distributor or sales representative, contact:

Von Duprin Division

Allegion

2720 Tobey Drive, Indianapolis, Indiana 46219

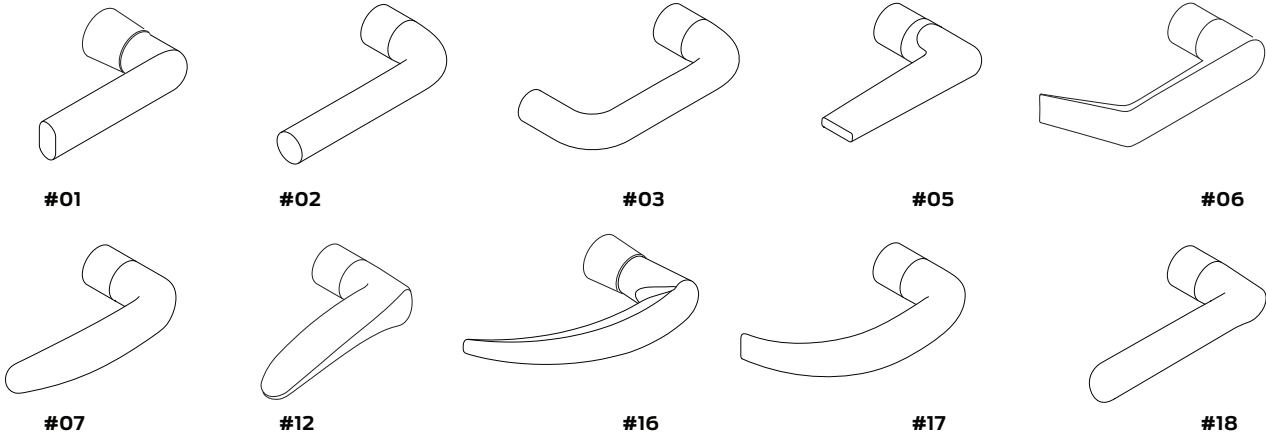
Phone: (877) 671-7011

PART NUMBER AND AVAILABILITY CHANGES

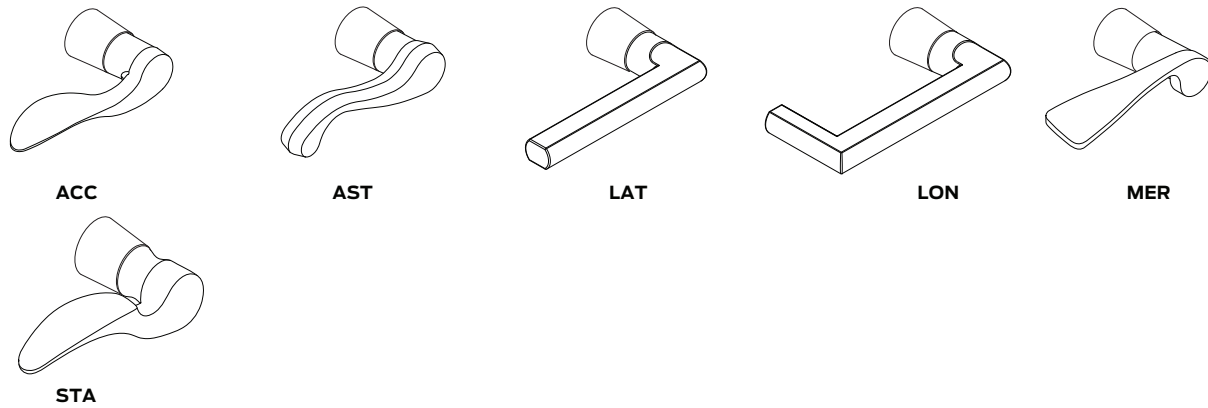
This manual was designed to help illustrate the replacement parts and kits that are available for sale. Because of changes to the product and/or manufacturing process, part numbers and availability can change over time.

992/994/996 trim levers

Standard levers

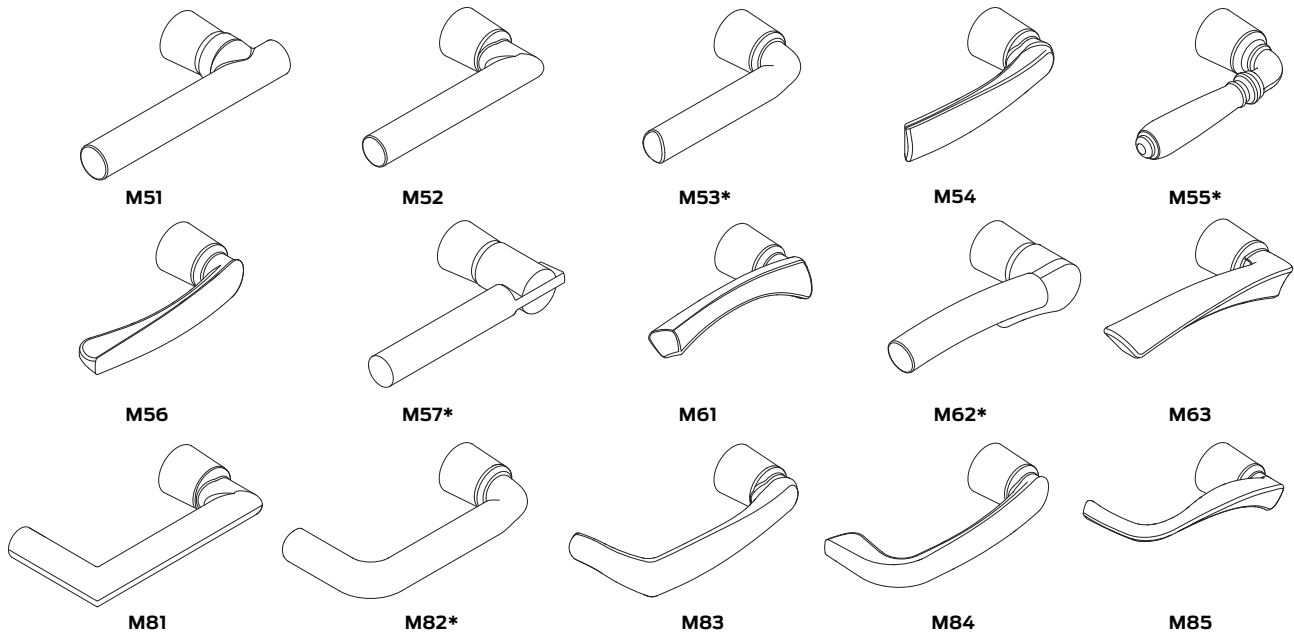


Decorative levers



990 series finishes

M collection levers



* Not available until 4/2014

990 series finishes

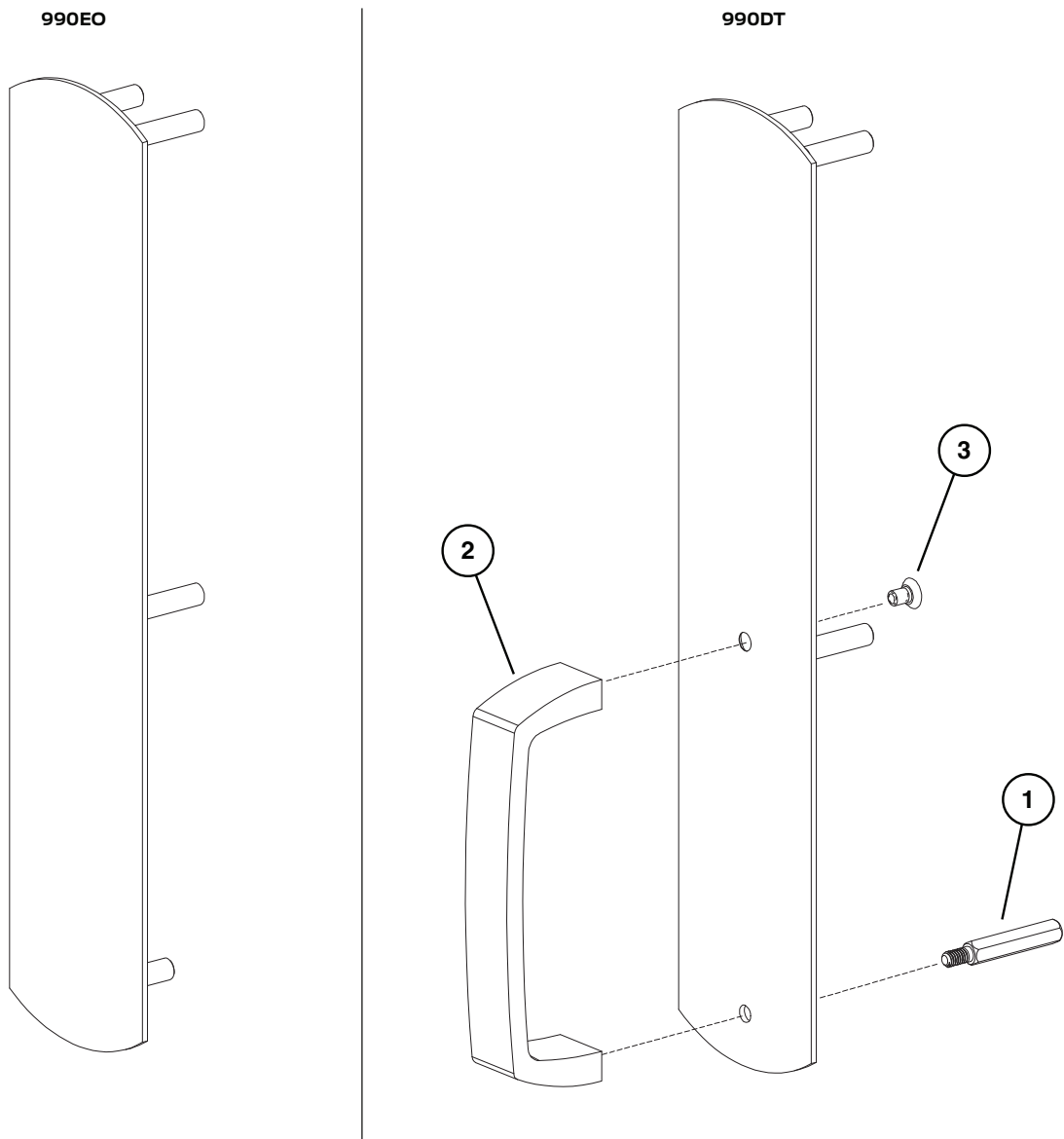
U.S. std reference	BHMA reference	Description
US3	605	Polished Brass
US4	606	Dull Brass
US10	612	Dull Bronze
US15	619	Satin Nickel
US26	625	Polished Chrome
US26D	626	Dull Chrome
US28	628	Anodized Alum. (Clear)
US32D	630	Satin Stainless Steel
313AN	710	Powder Coat (313) Dark Bronze
315AN	711	Powder Coat (Black)

992/994/996 trims

990EO & 990DT trim

Item no.	Quantity	Part no.	Description	Finish
	1	900853	990 Screw Package 1-3/4" - 2-1/4" Dr	
1	1	956760	Hex Stud - 990 Trim	
2	1	972466	Pull Grip	X
3	1	963579	#12-24 x 3/8" UFPHMS	

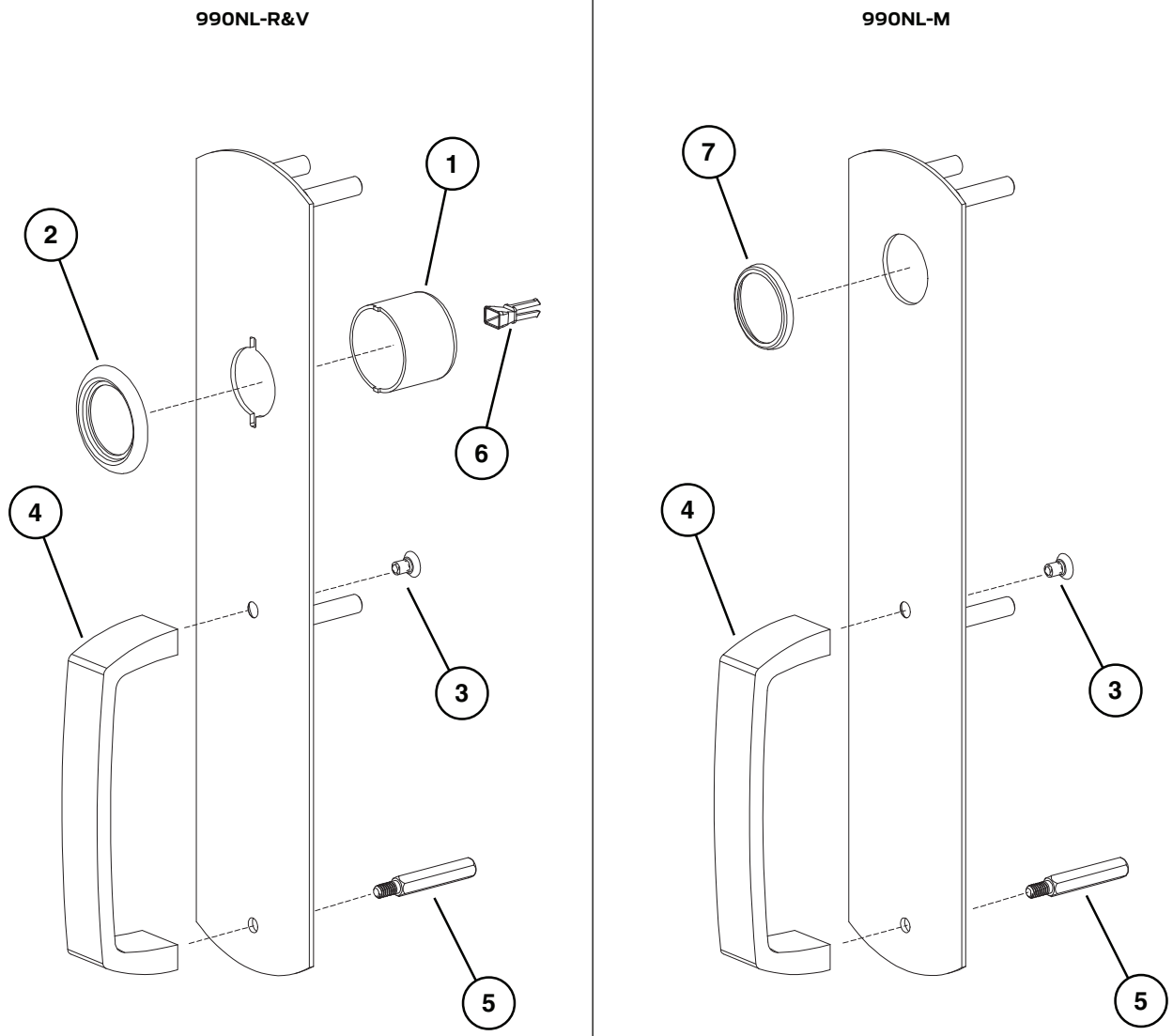
X in "Finish" column designates finished items; finish must be specified when ordering.



990NL-R&V & 990NL-M trim

Item no.	Quantity	Part no.	Description	Finish
	1	900853	990 Screw Package 1-3/4" - 2-1/4" Dr	
1	1	968201	Cylinder Retaining Cup	
2	1	965226	Cylinder Collar - R&V	
3	1	963579	#12-24x 3/8" UFPHMS	
4	1	972469	Pull Grip	X
5	1	956760	Hex Stud - 990 Trim	
6	1	050156	Tailpiece Guide (Pkg of 10)	
7	1	961267	Cylinder Collar - Mortise	

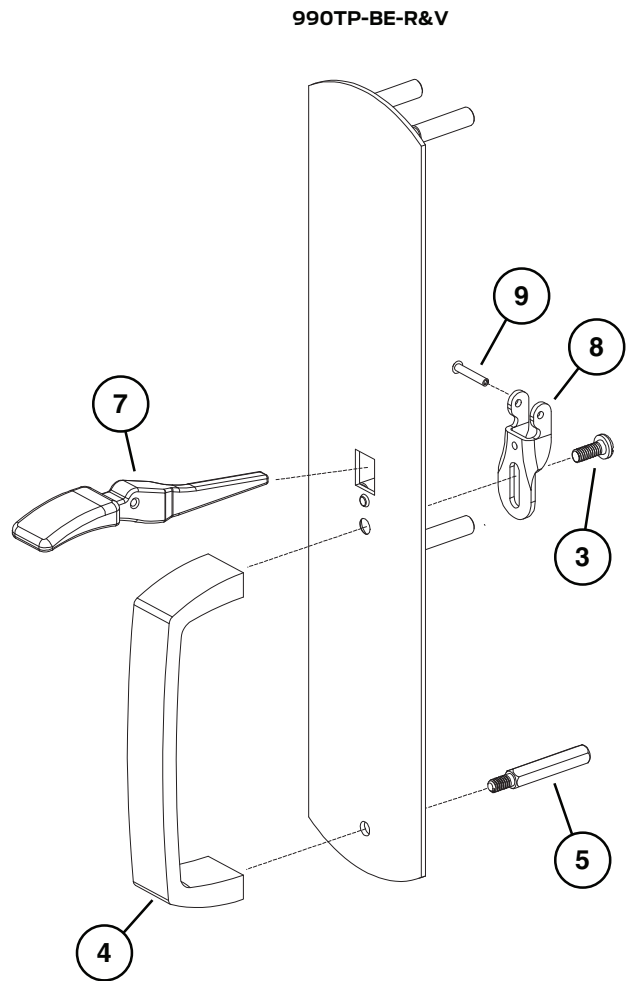
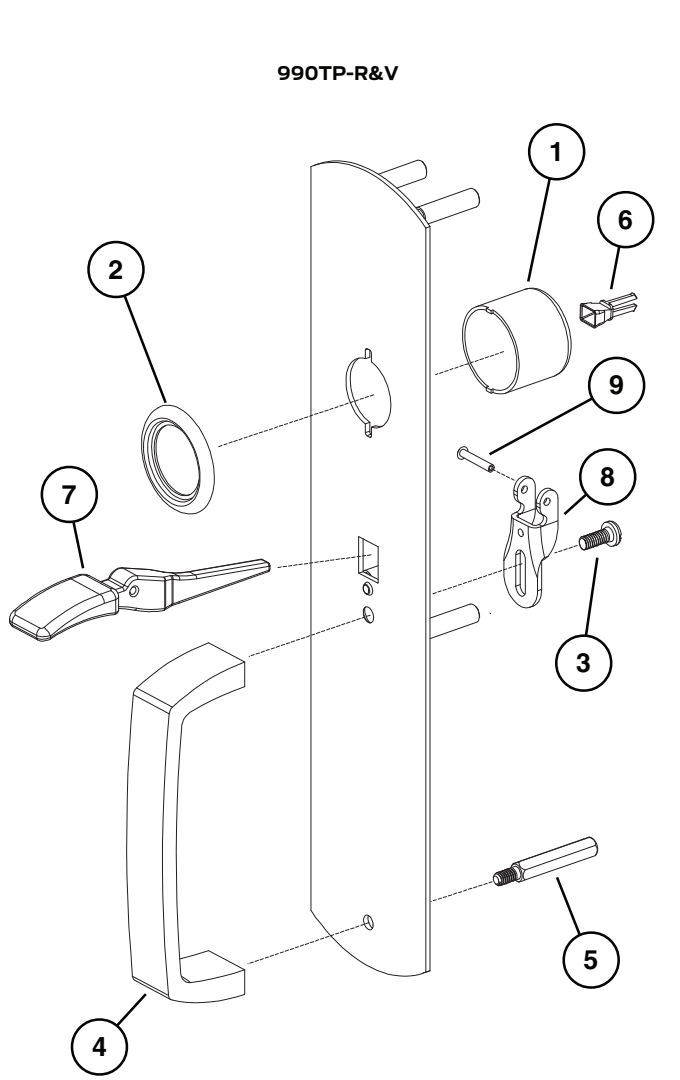
X in "Finish" column designates finished items; finish must be specified when ordering.



990TP-R&V & 990TP-BE-R&V trim

Item no.	Quantity	Part no.	Description	Finish
	1	900853	990 Screw Package 1-3/4" - 2-1/4" Dr	
1	1	968201	Cylinder Retaining Cup	
2	1	965226	Cylinder Collar	
3	1	965237	TP Bracket Screw	
4	1	972469	Pull Grip	X
5	1	956760	Hex Stud - 990 Trim	
6	1	050156	Tailpiece Guide (Pkg of 10)	
7	1	970488	Thumbpiece - R&V	X
8	1	969353	Thumbpiece Bracket	
9	1	959603	Thumbpiece Axle	

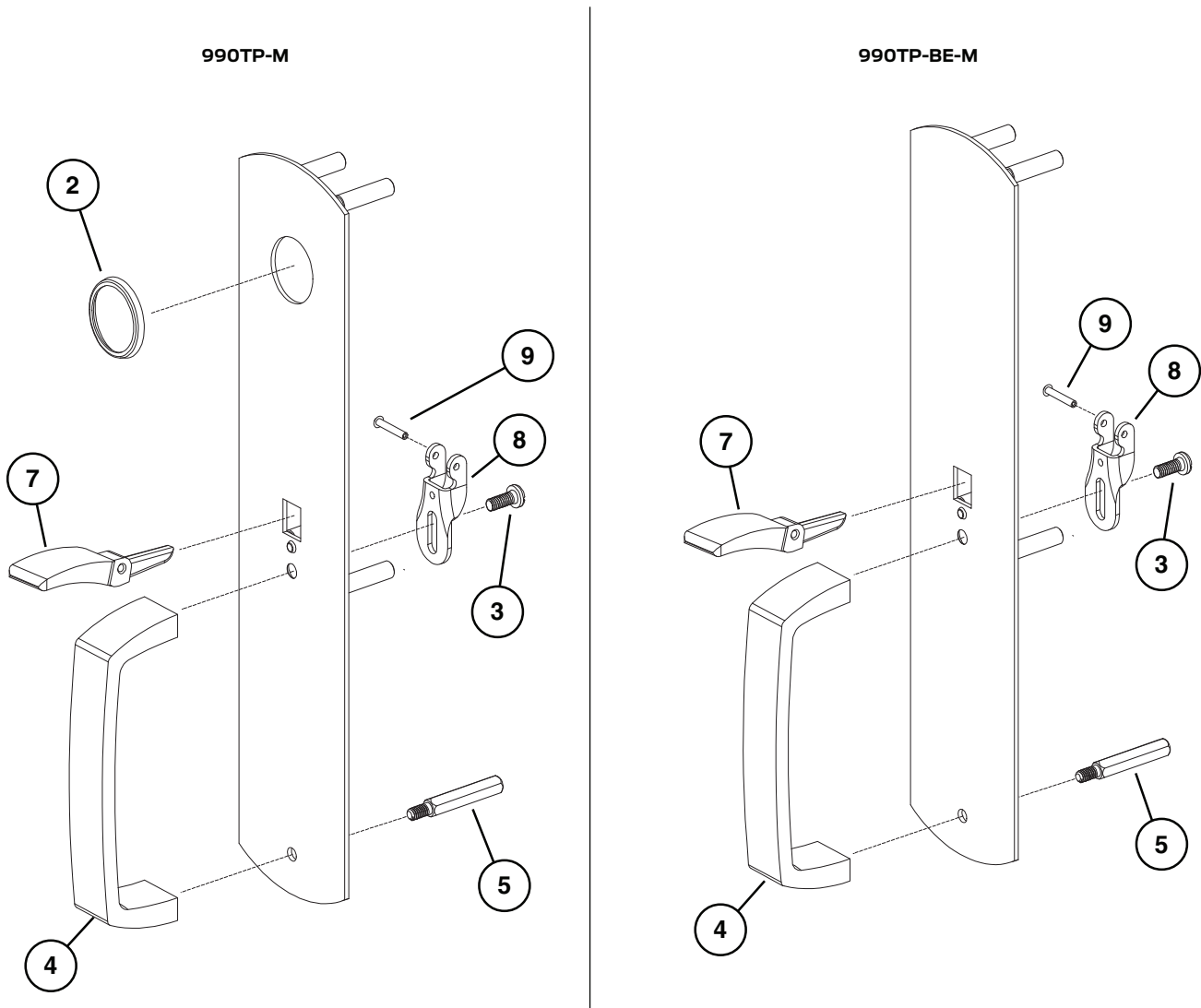
X in "Finish" column designates finished items; finish must be specified when ordering.



990TP-M & 990TP-BE-M trim

Item no.	Quantity	Part no.	Description	Finish
	1	900853	990 Screw Package 1-3/4" - 2-1/4" Dr	
2	1	961267	Cylinder Collar	
3	1	965237	TP Bracket Screw	
4	1	972469	Pull Grip	X
5	1	956760	Hex Stud - 990 Trim	
7	1	970950	Thumbpiece - Mortise	X
8	1	969353	Thumbpiece Bracket	
9	1	959603	Thumbpiece Axle	

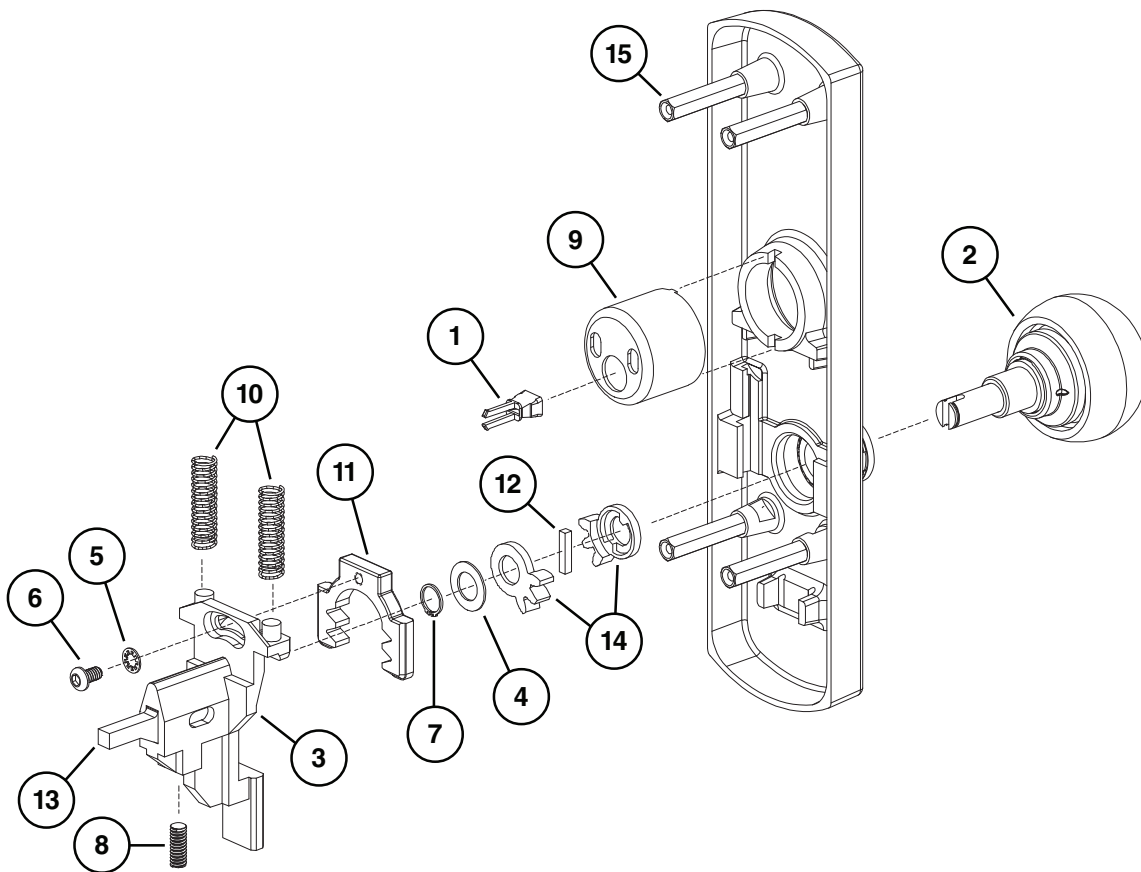
X in "Finish" column designates finished items; finish must be specified when ordering.



991K-R&V trim

Item no.	Quantity	Part no.	Description	Finish
	1	900920	991/992/994/996 Screw Package	
1	1	050156	Tailpiece Guide (Pkg of 10)	
2	1	110537	Orbit Knob Assembly - 991K	
3	1	110768	Slider Sub-Assembly - 991K-R/V	
4	1	963105	Flat Washer - 992K-DT/NL/BE/992L	
5	1	963925	#10 Internal Tooth Lock Washer - 991K/992L	
6	1	964086	10-24 x 3/8" Btn Hd Cap Screw - 991K/992L	
7	1	964285	Retaining Ring - 991K-DT/NL/BE/992L	
8	1	964353	1/4-20 x 5/8" Socket Set Screw	
9	1	968201	Cylinder Retaining Cup	
10	1	969012	Spring - 991K	
11	1	969537	Slider Rack - 991K	
12	1	969544	Straight Key - 991K	
13	1	969545	R&V Finger - 991K/992L	
14	1	969551	Pinion Gear - 991K	
15	1	971440	Hex Stud - 991K/992L	

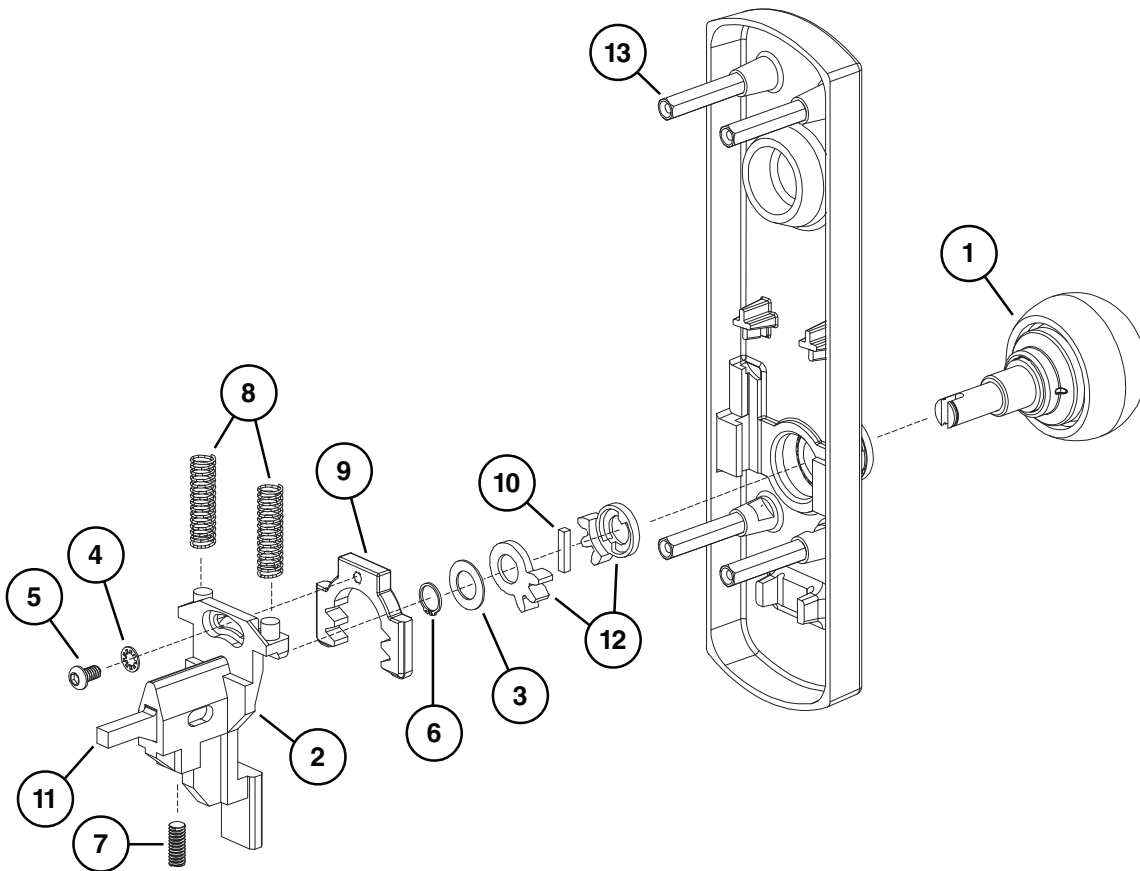
X in "Finish" column designates finished items; finish must be specified when ordering.



991K-BE-R&V trim

Item no.	Quantity	Part no.	Description	Finish
	1	900920	991/992/994/996 Screw Package	
1	1	110537	Orbit Knob Assembly - 991K	
2	1	110768	Slider Sub-Assembly - 991K-R/V	
3	1	963105	Flat Washer - 992K-DT/NL/BE/992L	
4	1	963925	#10 Internal Tooth Lock Washer - 991K/992L	
5	1	964086	10-24 x 3/8" Btn Hd Cap Screw - 991K/992L	
6	1	964285	Retaining Ring - 991K-DT/NL/BE/992L	
7	1	964353	1/4-20 x 5/8" Socket Set Screw	
8	1	969012	Spring - 991K	
9	1	969537	Slider Rack - 991K	
10	1	969544	Straight Key - 991K	
11	1	969545	R&V Finger - 991K/992L	
12	1	969551	Pinion Gear - 991K	
13	1	971440	Hex Stud - 991K/992L	

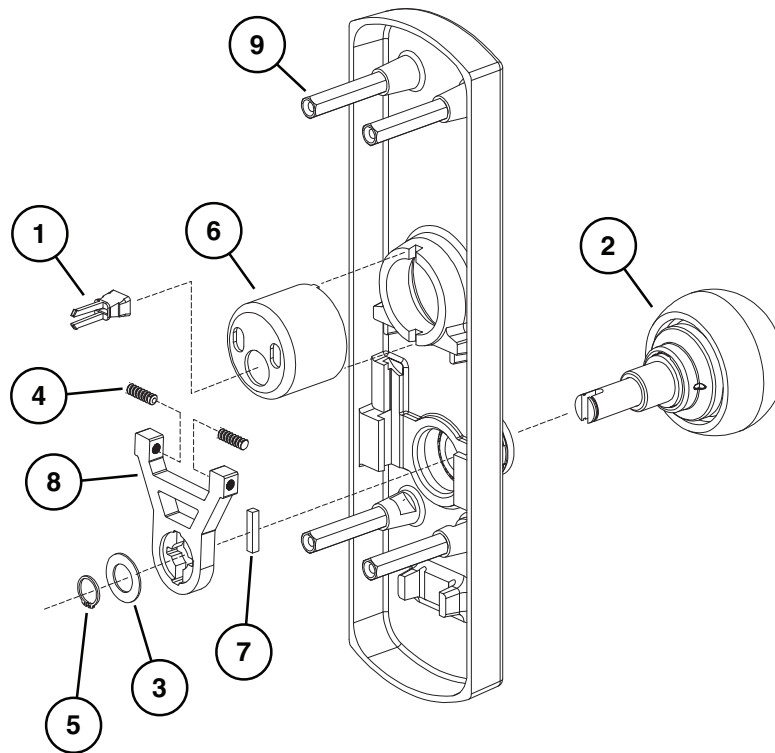
X in "Finish" column designates finished items; finish must be specified when ordering.



991K-NL-R&V trim

Item no.	Quantity	Part no.	Description	Finish
	1	900920	991/992/994/996 Screw Package	
1	1	050156	Tailpiece Guide (Pkg of 10)	
2	1	110537	Orbit Knob Assembly - 991K	X
3	1	963105	Flat Washer - 992K-DT/NL/BE/992L	
4	1	964183	10-24 x 1/2" Socket Set Cap Screw	
5	1	964285	Retaining Ring - 991K-DT/NL/BE/992L	
6	1	968201	Cylinder Retaining Cup	
7	1	969544	Straight Key - 991K	
8	1	970117	DT Yoke - 991K/992L (DT and NL)	
9	1	971440	Hex Stud - 991K/992L	

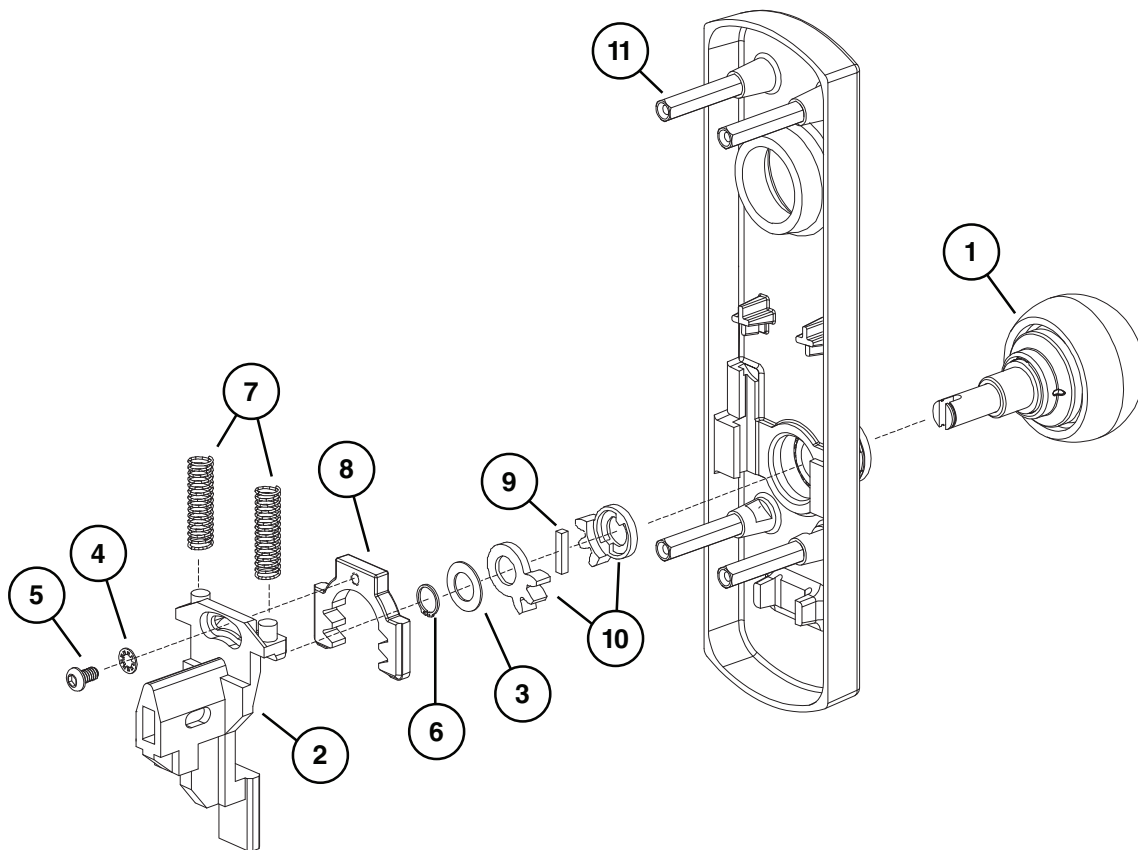
X in "Finish" column designates finished items; finish must be specified when ordering.



991K-M & 991K-M-BE trim

Item no.	Quantity	Part no.	Description	Finish
	1	900920	991/992/994/996 Screw Package	
1	1	110537	Orbit Knob Assembly - 991K	
2	1	969535	Slider - 991K-M	
3	1	963105	Flat Washer - 992K-DT/NL/BE/992L	
4	1	963925	#10 Internal Tooth Lock Washer - 991K/992L	
5	1	964086	10-24 x 3/8" Btn Hd Cap Screw - 991K/992L	
6	1	964285	Retaining Ring - 991K-DT/NL/BE/992L	
7	1	969012	Spring - 991K	
8	1	969537	Slider Rack - 991K	
9	1	969544	Straight Key - 991K	
10	1	969551	Pinion Gear - 991K	
11	1	971440	Hex Stud - 991K/992L	

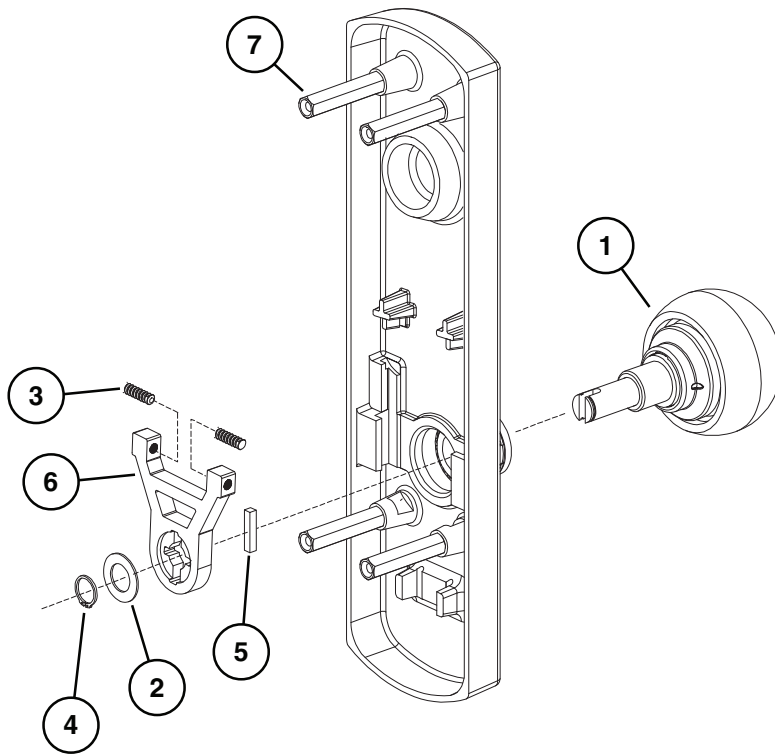
X in "Finish" column designates finished items; finish must be specified when ordering.



991K-NL-M & 991K-DT trim

Item no.	Quantity	Part no.	Description	Finish
	1	900920	991/992/994/996 Screw Package	
1	1	110537	Orbit Knob Assembly - 991K	X
2	1	963105	Flat Washer - 992K-DT/NL/BE/992L	
3	1	964183	10-24 x 1/2" Socket Set Cap Screw	
4	1	964285	Retaining Ring - 991K-DT/NL/BE/992L	
5	1	969544	Straight Key - 991K	
6	1	970117	DT Yoke - 991K/992L (DT and NL)	
7	1	971440	Hex Stud - 991K/992L	

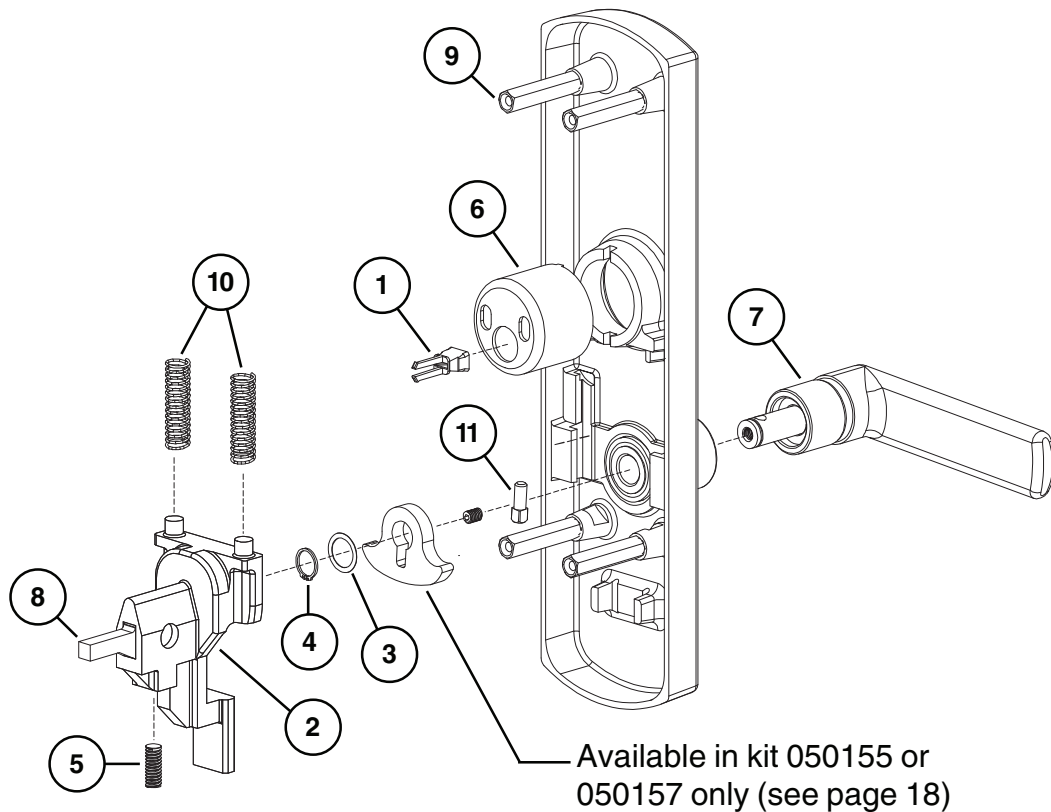
X in "Finish" column designates finished items; finish must be specified when ordering.



992L-R&V trim

Item no.	Quantity	Part no.	Description	Finish
	1	900920	991/992/994/996 Screw Package	
1	1	050156	Tailpiece Guide (Pkg of 10)	
2	1	110769	Slider Sub-Assembly - 992L-R/V	
3	1	090103	Wave Spring Washer - 992L Pkg/10	
4	1	964285	Retaining Ring - 991K-DT/NL/BE/992L	
5	1	964353	1/4-20 x 5/8" Socket Set Screw	
6	1	968201	Cylinder Retaining Cup	
7	1	969541	Lever Bushing - 992/994/996	
8	1	969545	R&V Finger - 991K/992L	
9	4	971440	Hex Stud - 991K/992L	
10	2	971573	Lift Spring - 992/994/996	
11	1	050611	Shear Pin - 992/994/996 w/Retaining Ring	

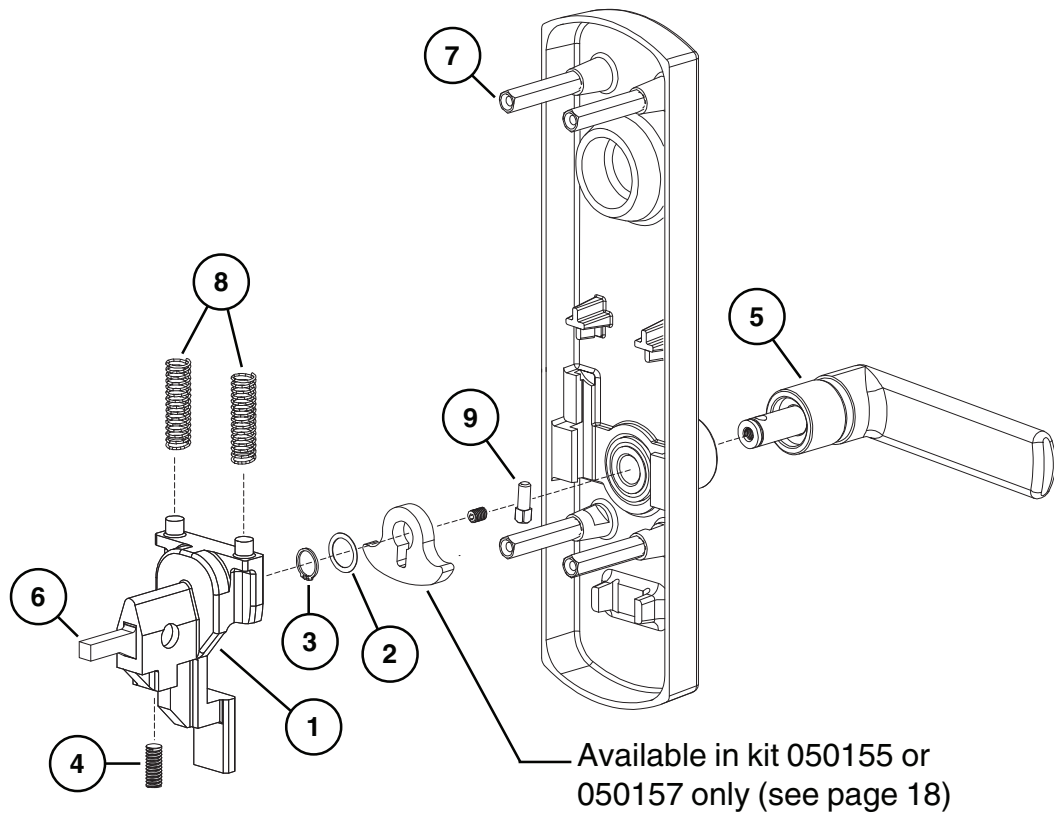
X in "Finish" column designates finished items; finish must be specified when ordering.



992L-BE-R&V trim

Item no.	Quantity	Part no.	Description	Finish
	1	900920	991/992/994/996 Screw Package	
1	1	110769	Slider Sub-Assembly - 992L-R/V	
2	1	090103	Wave Spring Washer - 992L Pkg/10	
3	1	964285	Retaining Ring - 991K-DT/NL/BE/992L	
4	1	964353	1/4-20 x 5/8" Socket Set Screw	
5	1	969541	Lever Bushing - 992/994/996	
6	1	969545	R&V Finger - 991K/992L	
7	4	971440	Hex Stud - 991K/992L	
8	2	971573	Lift Spring - 992/994/996	
9	1	050611	Shear Pin - 992/994/996 w/Retaining Ring	

X in "Finish" column designates finished items; finish must be specified when ordering.

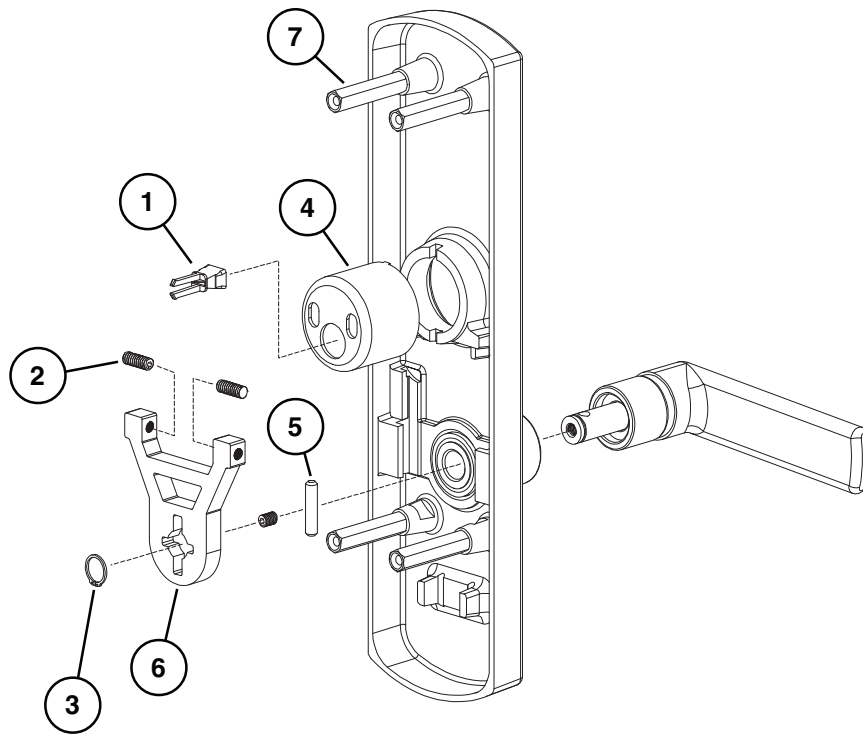


992/994/996 trims

992L-NL-R&V trim

Item no.	Quantity	Part no.	Description	Finish
	1	900920	991/992/994/996 Screw Package	
1	1	050156	Tailpiece Guide (Pkg of 10)	
2	1	964183	10-24 x 1/2" Socket Set Cap Screw	
3	1	964285	Retaining Ring - 991K-DT/NL/BE/992L	
4	1	968201	Cylinder Retaining Cup	
5	1	971015	DT Cam Pin - 992/994/996	
6	1	970117	DT Yoke - 991K/992L (DT and NL)	
7	1	971440	Hex Stud - 991K/992L	

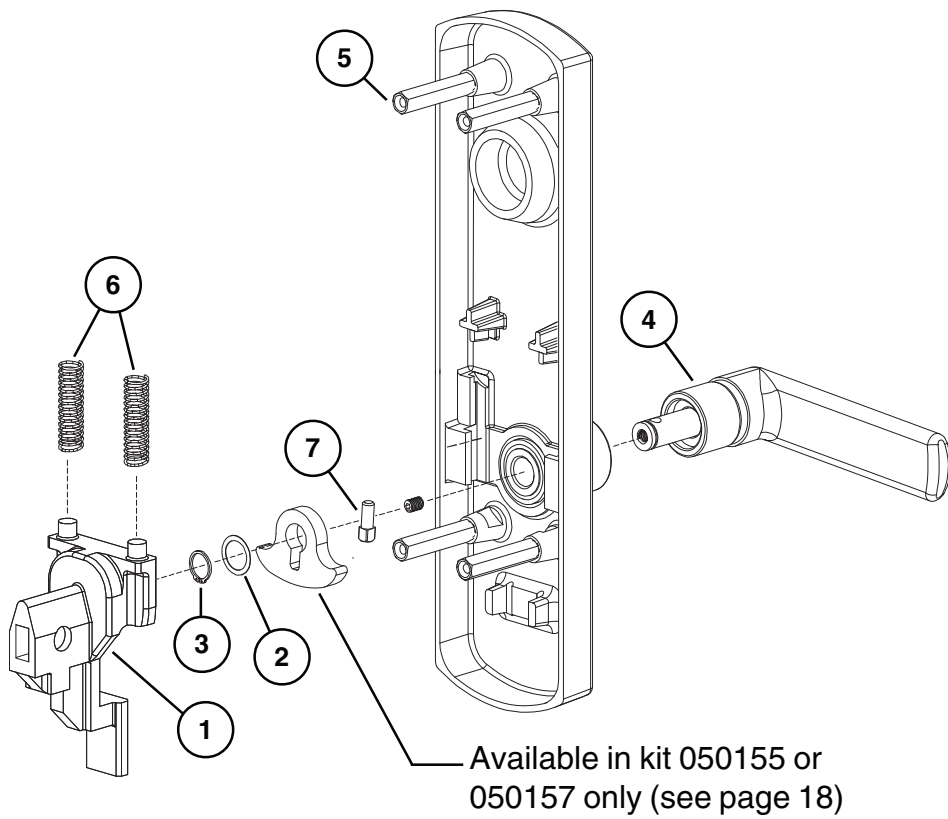
X in "Finish" column designates finished items; finish must be specified when ordering.



992L-M & 992L-BE-M trim

Item no.	Quantity	Part no.	Description	Finish
	1	900920	991/992/994/996 Screw Package	
1	1	971012	Slider Sub-Assembly - 992L-M	
2	1	090103	Wave Spring Washer - 992L Pkg/10	
3	1	964285	Retaining Ring - 991K-DT/NL/BE/992L	
4	1	969541	Lever Bushing - 992/994/996	
5	4	971440	Hex Stud - 991K/992L	
6	2	971573	Lift Spring - 992/994/996	
7	1	050611	Shear Pin - 992/994/996 w/Retaining Ring	

X in "Finish" column designates finished items; finish must be specified when ordering.

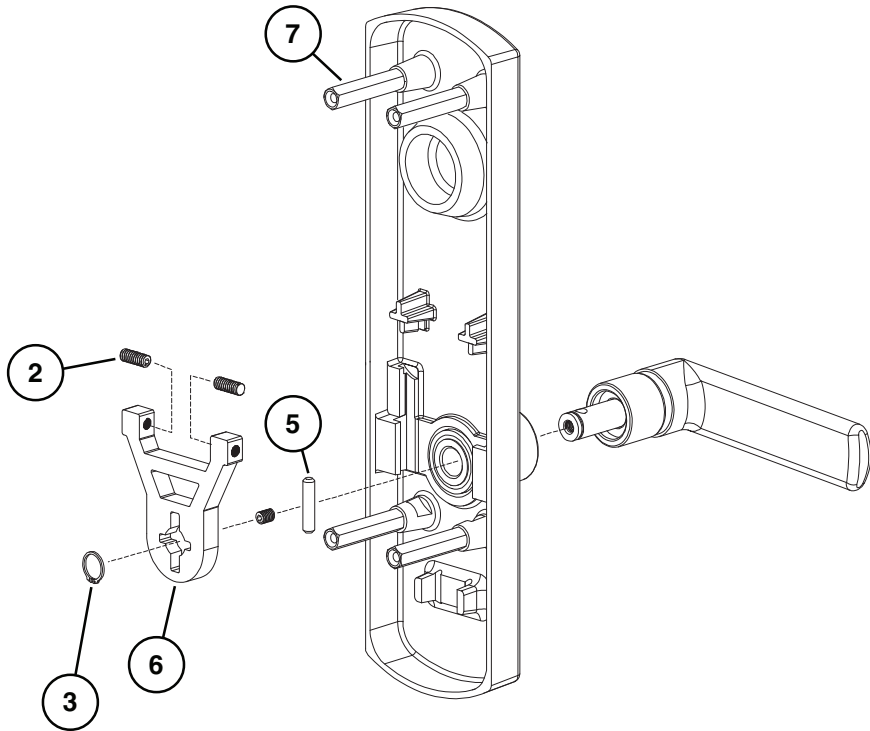


992/994/996 trims

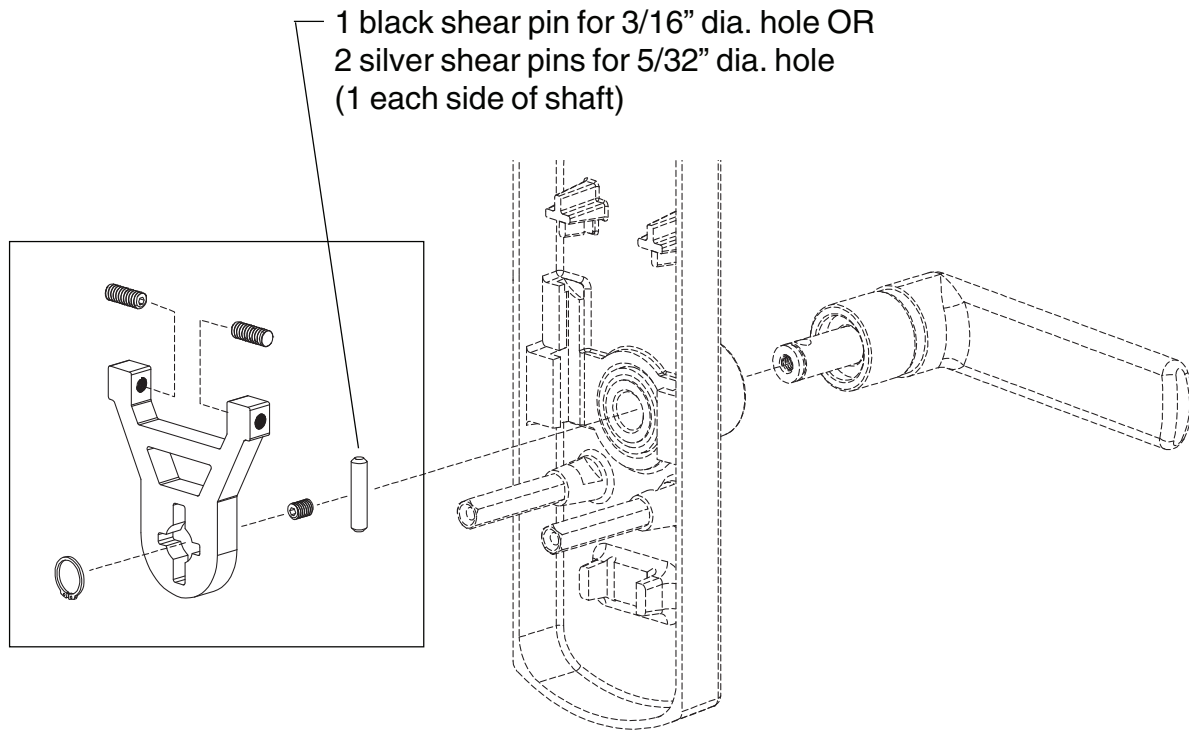
992L-NL-M & 992L-DT-M trim

Item no.	Quantity	Part no.	Description	Finish
	1	900920	991/992/994/996 Screw Package	
2	1	964183	10-24 x 1/2" Socket Set Cap Screw	
3	1	964285	Retaining Ring - 991K-DT/NL/BE/992L	
5	1	971015	DT Cam Pin - 992/994/996	
6	1	970117	DT Yoke - 991K/992L (DT and NL)	
7	1	971440	Hex Stud - 991K/992L	

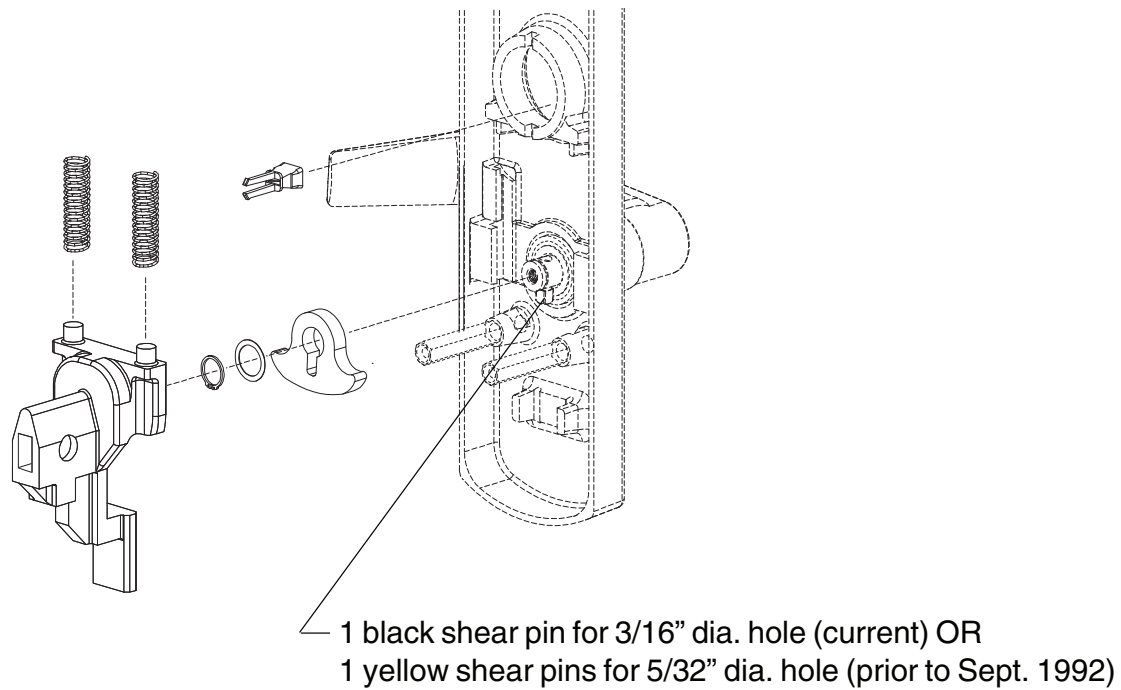
X in "Finish" column designates finished items; finish must be specified when ordering.



992L-DT or RIGID trim conversion kit - 050154



992-L replacement cam kit w/slider - 050155

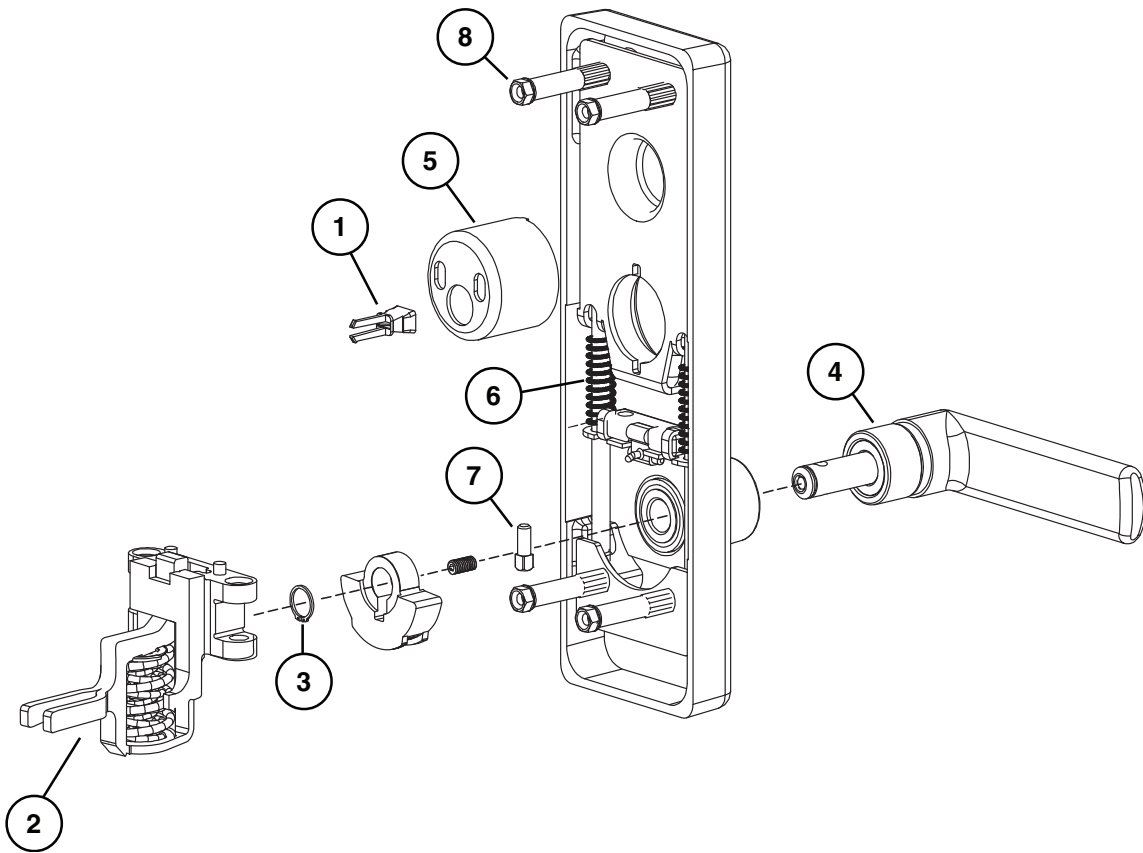


992-L replacement cam kit less slider - 050157

994L-R&V & 994L-R&V-BE trim

Item no.	Quantity	Part no.	Description	Finish
	1	900920	991/992/994/996 Screw Package	
1	1	050156	Tailpiece Guide Lead Kit	
2	1	112461	Slider Sub-Assembly - 994/996L-R/V	
3	1	964285	Retaining Ring - 991K-DT/NL/BE/992L	
4	1	969541	Lever Bushing - 992/994/996	
5	4	968201	Cylinder Retaining Cup - 990 Trim	
6	2	971573	Lift Spring - 992/994/996	
7	1	050611	Shear Pin - 992/994/996 w/Retaining Ring	
8	4	971585	Mounting Stud - 994/996	

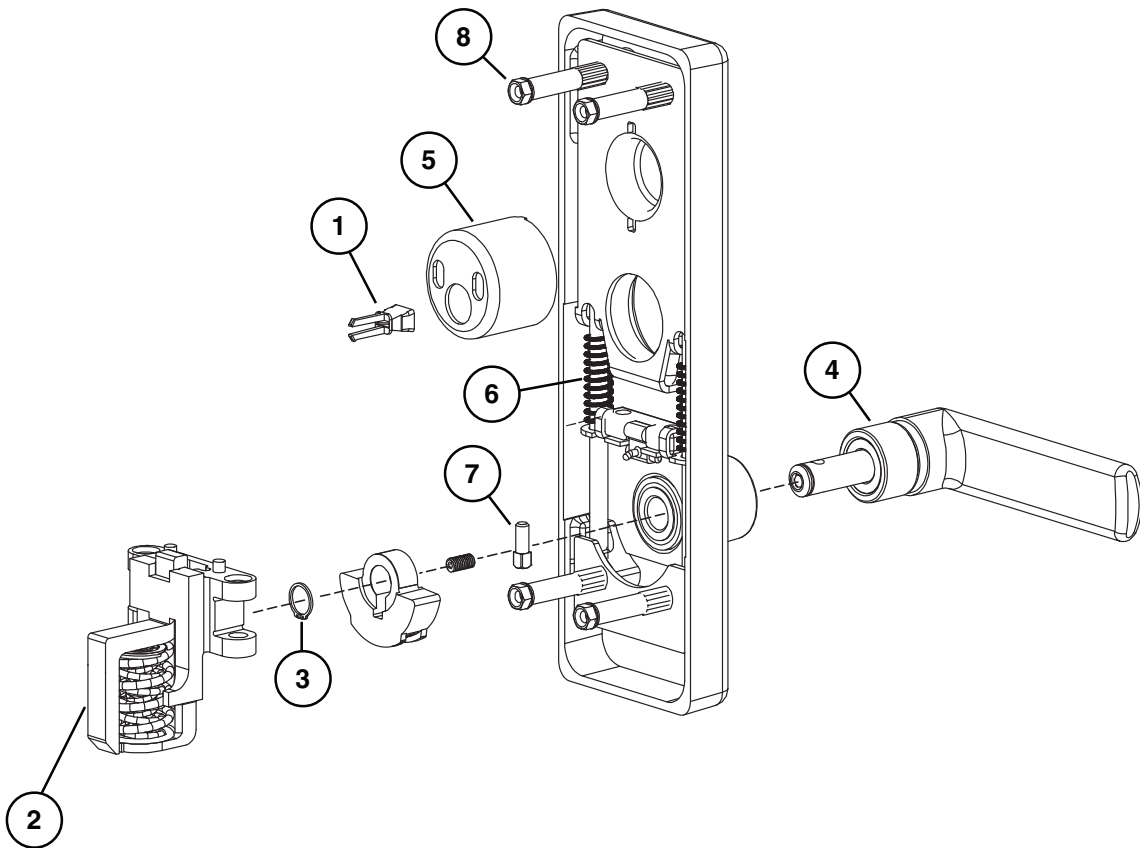
X in "Finish" column designates finished items; finish must be specified when ordering.



994L-M & 994L-M-BE trim

Item no.	Quantity	Part no.	Description	Finish
	1	900920	991/992/994/996 Screw Package	
1	1	050156	Tailpiece Guide Lead Kit	
2	1	112462	Slider Sub-Assembly - 994/996L-M	
3	1	964285	Retaining Ring - 991K-DT/NL/BE/992L	
4	1	969541	Lever Bushing - 992/994/996	
5	4	968201	Cylinder Retaining Cup - 990 Trim	
6	2	971573	Lift Spring - 992/994/996	
7	1	050611	Shear Pin - 992/994/996 w/Retaining Ring	
8	4	971585	Mounting Stud - 994/996	

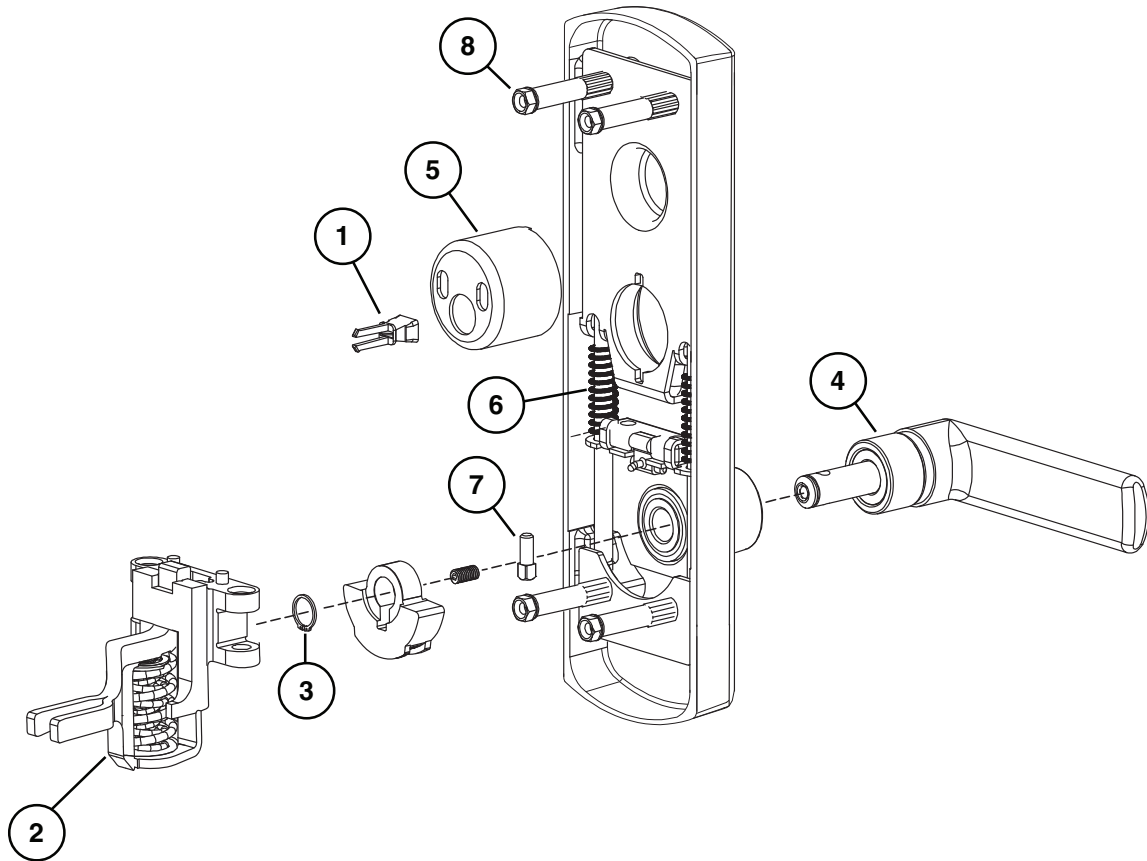
X in "Finish" column designates finished items; finish must be specified when ordering.



996L-R&V & 996L-R&V-BE trim

Item no.	Quantity	Part no.	Description	Finish
	1	900920	991/992/994/996 Screw Package	
1	1	050156	Tailpiece Guide Lead Kit	
2	1	112461	Slider Sub-Assembly - 994/996L-R/V	
3	1	964285	Retaining Ring - 991K-DT/NL/BE/992L	
4	1	969541	Lever Bushing - 992/994/996	
5	4	968201	Cylinder Retaining Cup - 990 Trim	
6	2	971573	Lift Spring - 992/994/996	
7	1	050611	Shear Pin - 992/994/996 w/Retaining Ring	
8	4	971585	Mounting Stud - 994/996	

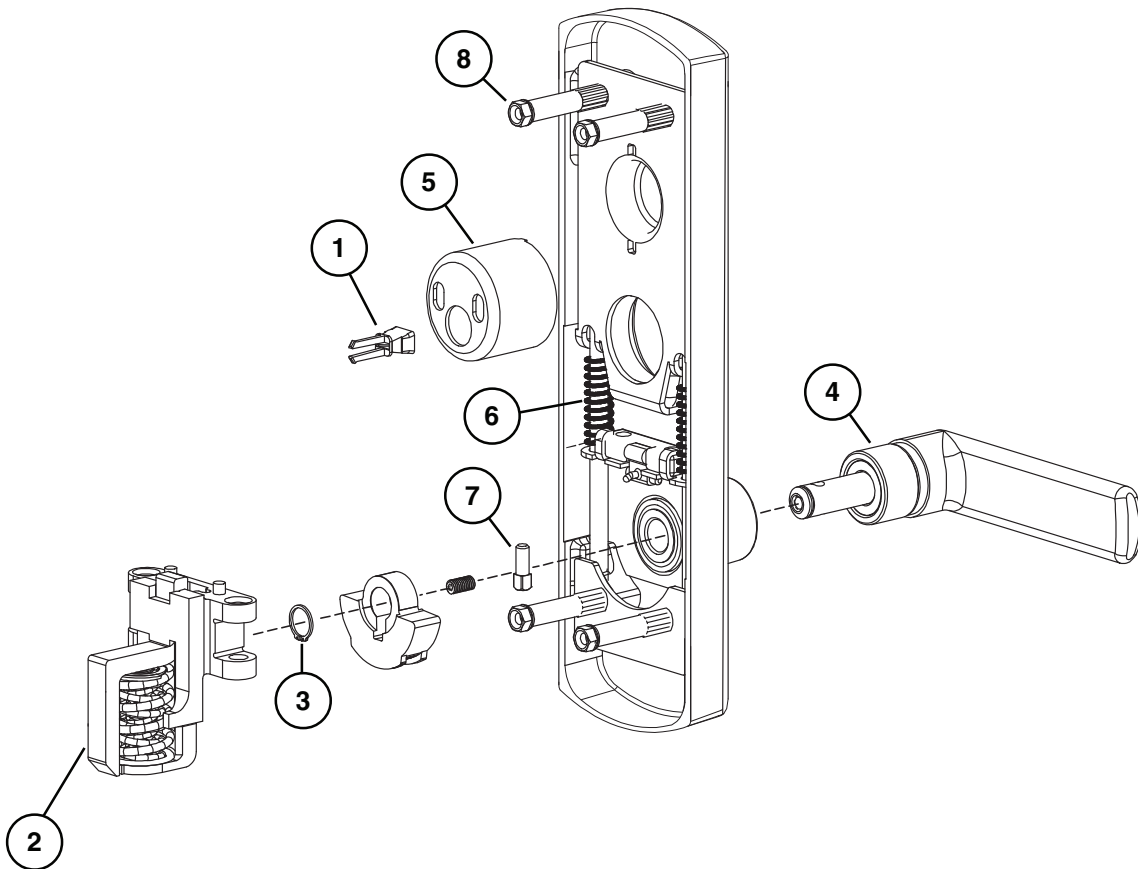
X in "Finish" column designates finished items; finish must be specified when ordering.



996L-M & 996L-M-BE trim

Item no.	Quantity	Part no.	Description	Finish
	1	900920	991/992/994/996 Screw Package	
1	1	050156	Tailpiece Guide Lead Kit	
2	1	112462	Slider Sub-Assembly - 994/996L-M	
3	1	964285	Retaining Ring - 991K-DT/NL/BE/992L	
4	1	969541	Lever Bushing - 992/994/996	
5	4	968201	Cylinder Retaining Cup - 990 Trim	
6	2	971573	Lift Spring - 992/994/996	
7	1	050611	Shear Pin - 992/994/996 w/Retaining Ring	
8	4	971585	Mounting Stud - 994/996	

X in "Finish" column designates finished items; finish must be specified when ordering.

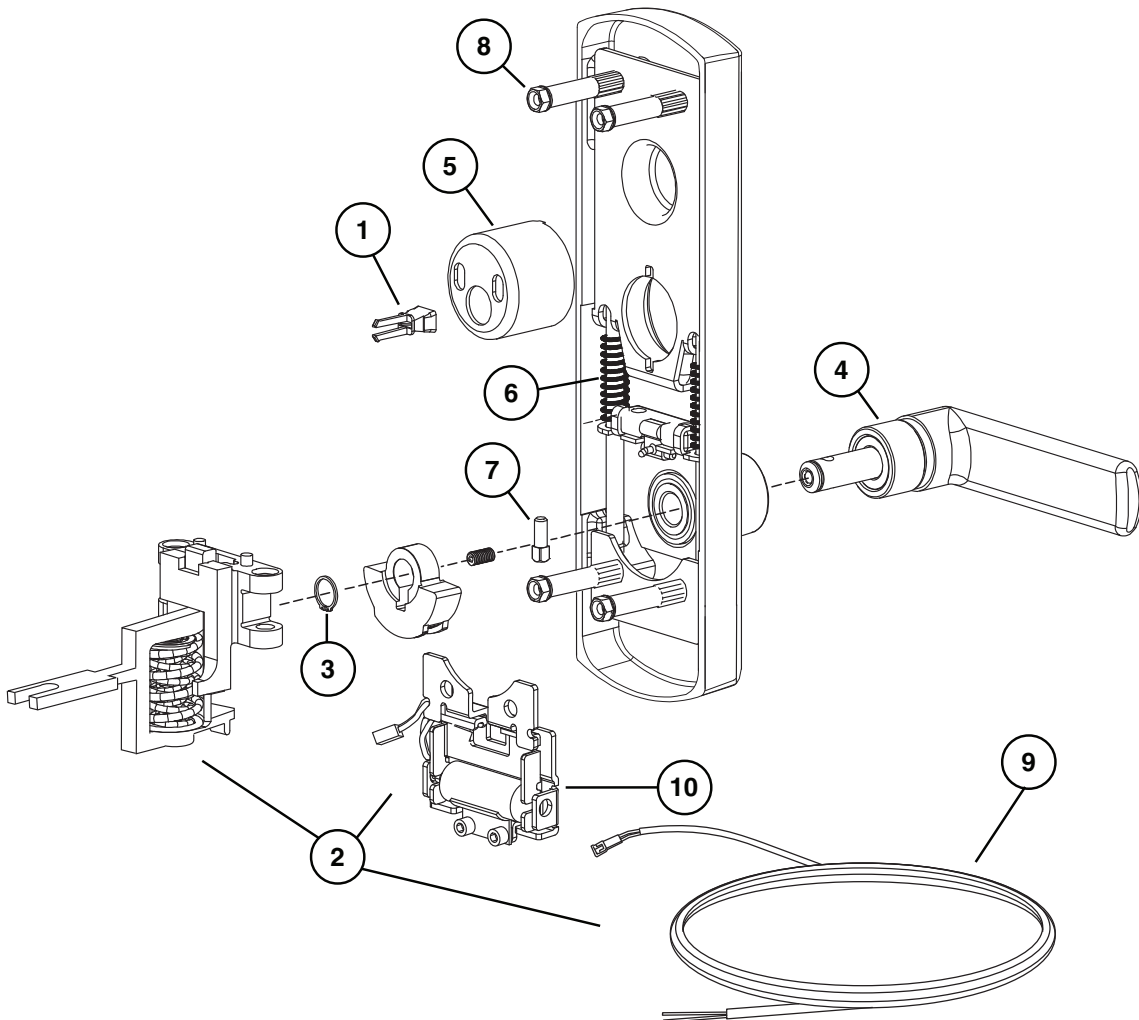


E996L-R&V trim

Item no.	Quantity	Part no.	Description	Finish
	1	900920	991/992/994/996 Screw Package	
1	1	050156	Tailpiece Guide Lead Kit	
2	1	050672	*E996 R/VC Conv to E Kit	
3	1	964285	Retaining Ring - 991K-DT/NL/BE/992L	
4	1	969541	Lever Bushing - 992/994/996	
5	4	968201	Cylinder Retaining Cup - 990 Trim	
6	2	971573	Lift Spring - 992/994/996	
7	1	050611	Shear Pin - 992/994/996 w/Retaining Ring	
8	4	971585	Mounting Stud - 994/996	
9	1	CABLE.10038	E996 Wire Harness (Cable)	
10	1	050671	E996 Locking Mech Kit (includes solenoid)	

X in "Finish" column designates finished items; finish must be specified when ordering.

*Kit includes one each of items 2,9,10, plus one NL Drive Screw

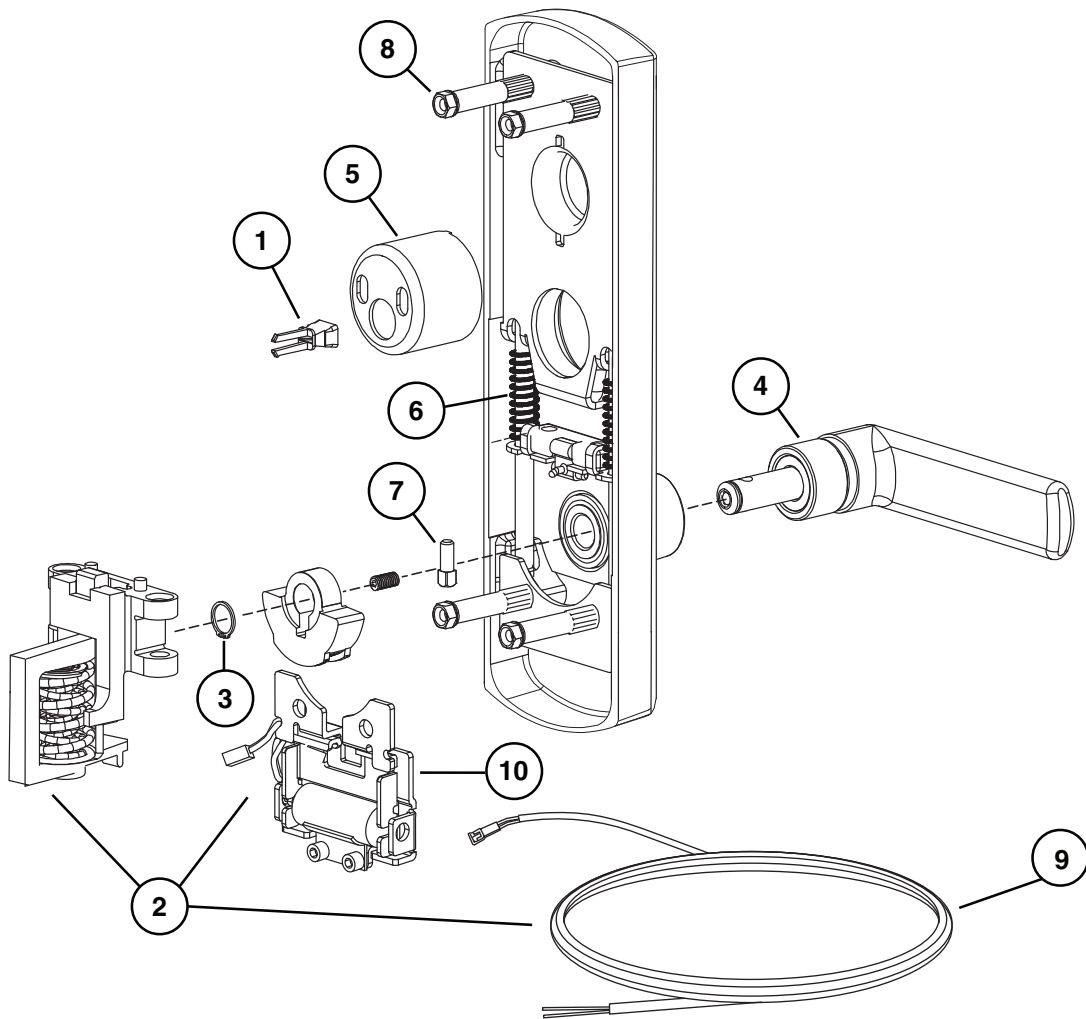


E996L-M trim

Item no.	Quantity	Part no.	Description	Finish
	1	900920	991/992/994/996 Screw Package	
1	1	050156	Tailpiece Guide Lead Kit	
2	1	050673	*E996 Mort Conv to E Kit	
3	1	964285	Retaining Ring - 991K-DT/NL/BE/992L	
4	1	969541	Lever Bushing - 992/994/996	
5	4	968201	Cylinder Retaining Cup - 990 Trim	
6	2	971573	Lift Spring - 992/994/996	
7	1	050611	Shear Pin - 992/994/996 w/Retaining Ring	
8	4	971585	Mounting Stud - 994/996	
9	1	CABLE.10038	E996 Wire Harness (Cable)	
10	1	050671	E996 Locking Mech Kit (includes solenoid)	

X in "Finish" column designates finished items; finish must be specified when ordering.

*Kit includes one each of items 2, 9, 10, plus one NL Drive Screw



About Allegion

Allegion (NYSE: ALLE) creates peace of mind by pioneering safety and security. As a \$2 billion provider of security solutions for homes and businesses, Allegion employs more than 7,800 people and sells products in more than 120 countries across the world. Allegion comprises 23 global brands, including strategic brands CISA®, Interflex®, LCN®, Schlage® and Von Duprin®.

For more, visit www.allegion.com.

aptiQ ■ LCN ■ **SCHLAGE** ■ STEELCRAFT ■ VON DUPRIN